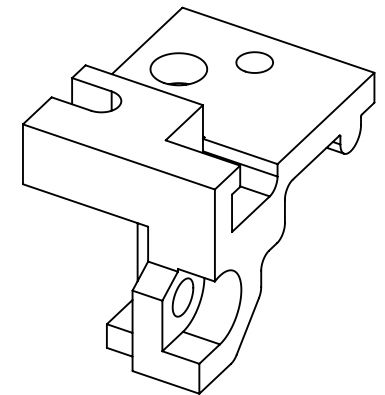
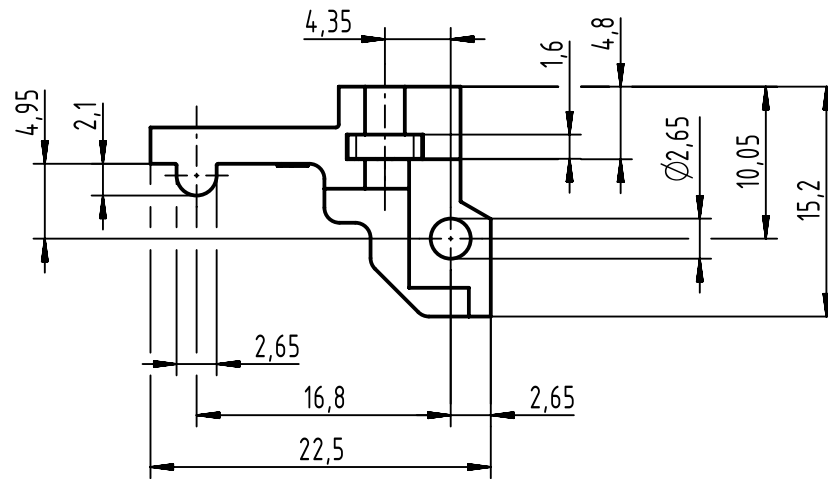
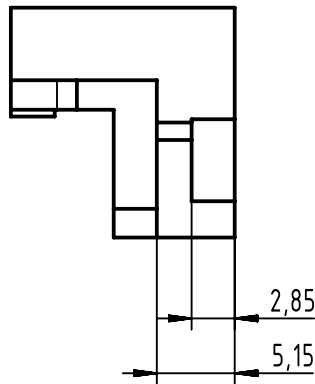
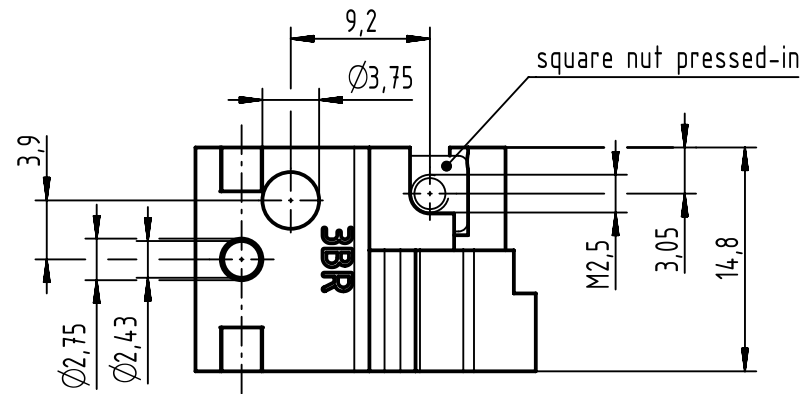



A

B

C

D



	All rights reserved Department EC PD - DE	All Dimensions in mm Original Size DIN A4			Scale 2:1	Free size tol.	Ref. Sub.	
		Created by KAHLERK	Inspected by ZWAHR	Standardisation HOFFMANN	Date 2017-03-17	State Final Release		
HARTING Electronics GmbH D-32339 Espelkamp		Title fixing bracket BR 15mm + nut					Doc-Key / ECM-Nr. 100106600/UGD/007/B 500000116938	
		Type TB	Number 09060019935			Rev. B	Page 1/1	