

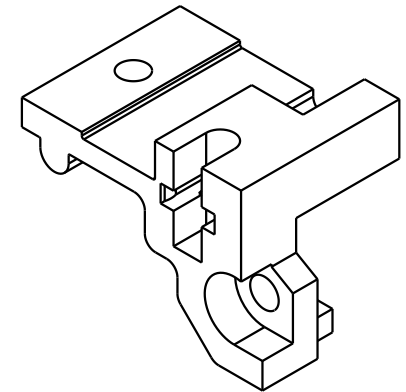
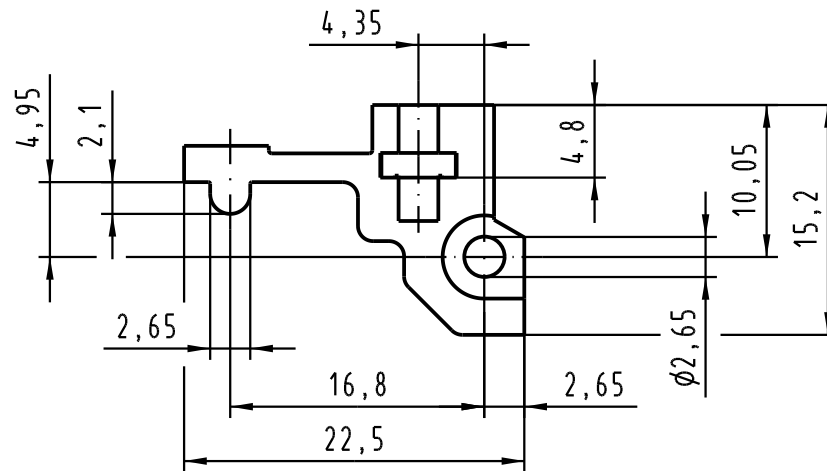
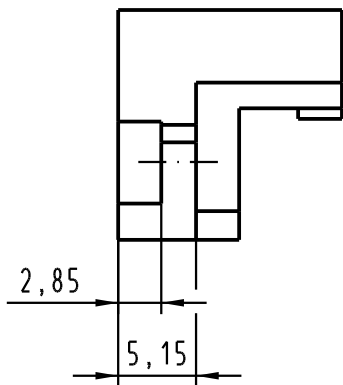
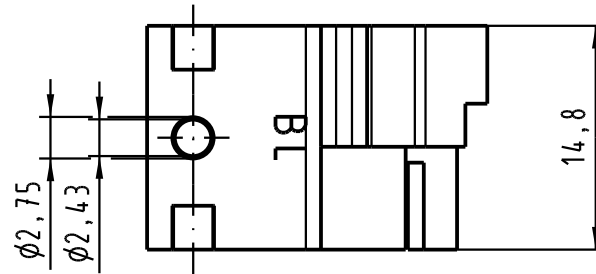
1 2 3 4 5 6



A

B

C

D



|   |      |                                   |                   |       |   |  |
|---|------|-----------------------------------|-------------------|-------|---|--|
|  All Dimensions in mm<br>Original Size DIN A 4 |      | Techn. Character.                 |                   |       | Nicht tolerierte Maßel Free size tolerances   |  |
|   |      |                                   | Dat.              | Name  | Maßstab/Scale<br><br>2:1  | Rastelement BL 15mm für Messerleisten<br>metallisiert (Oberfläche: Ni)<br>fixing bracket BL 15mm for male connectors<br>metallised (surface: Ni) |
|   |      | Detail.                           | 08.04.05          | Hage. |   |  |
|   |      | Insp.                             | 08.04.05          | Sch.  |   |  |
|   |      | Stand.                            |                   |       |   |  |
| 32663   |      | HARTING Electronics GmbH & Co. KG |                   |       |  TB 09 06 900 9909 | Blatt/ page  |
| Mod.  | Dat. | Name                              | D-32339 ESPELKAMP |       |   |  |