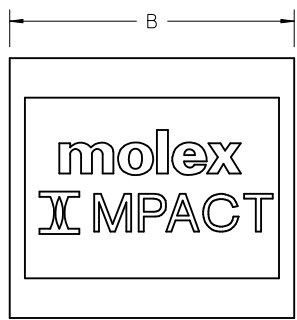
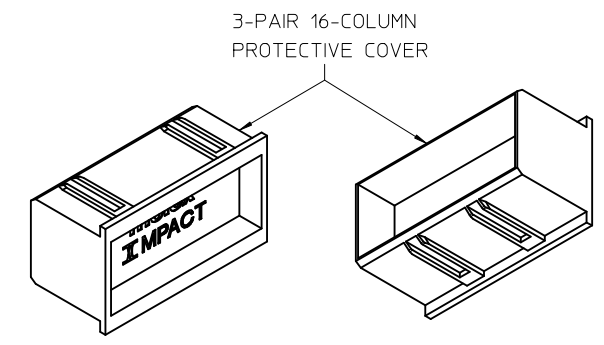
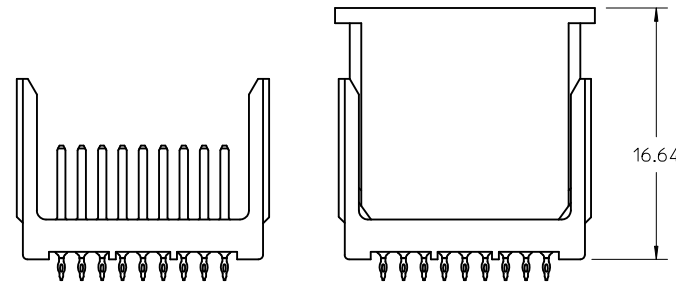
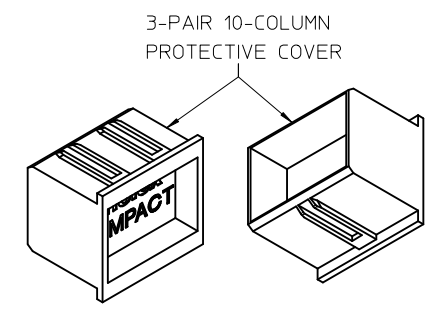
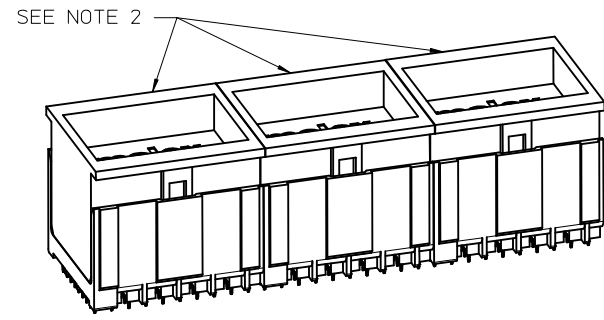
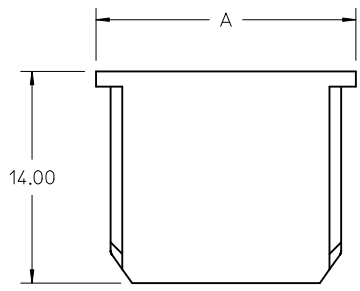


PART NUMBER	NUMBER OF PAIRS	NUMBER OF COLUMNS	DIM "A"	DIM "B"	TOOLED
76279-0210	2 PAIR	10 COLUMN	13.15	18.82	N/A
76279-0216	2 PAIR	16 COLUMN	13.15	30.22	N/A
76279-0310	3 PAIR	10 COLUMN	17.20	18.82	YES
76279-0316	3 PAIR	16 COLUMN	17.20	30.22	
76279-0408	4 PAIR	8 COLUMN	21.25	15.02	YES
76279-0410	4 PAIR	10 COLUMN	21.25	18.82	
76279-0416	4 PAIR	16 COLUMN	21.25	30.22	
76279-0510	5 PAIR	10 COLUMN	25.30	18.82	
76279-0516	5 PAIR	16 COLUMN	25.30	30.22	YES
76279-0610	6 PAIR	10 COLUMN	29.35	18.82	
76279-0614	6 PAIR	14 COLUMN	29.35	26.42	N/A
76279-0616	6 PAIR	16 COLUMN	29.35	30.22	YES

- NOTES:
- MATERIAL: HIGH IMPACT POLYSTYRENE
COLOR: NATURAL
 - CONNECTORS WITH HEADER COVERS ARE END TO END STACKABLE.
 - PACKAGE PER: PK-70873-804
 - THIS PART CONFORMS TO MOLEX PRODUCT SPECIFICATION: PS-75710-999
 - THIS PART CONFORMS TO CLASS B REQUIREMENTS OF COSMETIC SPEC PS-45499-002.

ADD 6X14 & 4X8 EC NO: UCP2011-2883 DRWN:JBINGHAM 2011/03/21 CHKD:JBINGHAM 2011/05/24 APPR:JBINGHAM 2011/05/25	DESCRIPTION REV	QUALITY SYMBOLS	GENERAL TOLERANCES (UNLESS SPECIFIED)	DIMENSION STYLE	SCALE	DESIGN UNITS	THIRD ANGLE PROJECTION															
		$\nabla=0$ $\nabla=0$	<table border="1"> <tr> <th></th> <th>mm</th> <th>INCH</th> </tr> <tr> <td>4 PLACES</td> <td>\pm ---</td> <td>\pm ---</td> </tr> <tr> <td>3 PLACES</td> <td>\pm ---</td> <td>\pm ---</td> </tr> <tr> <td>2 PLACES</td> <td>± 0.13</td> <td>\pm ---</td> </tr> <tr> <td>1 PLACE</td> <td>± 0.25</td> <td>\pm ---</td> </tr> </table>		mm	INCH	4 PLACES	\pm ---	\pm ---	3 PLACES	\pm ---	\pm ---	2 PLACES	± 0.13	\pm ---	1 PLACE	± 0.25	\pm ---	IN/MM	4:1	INCH	
			mm	INCH																		
		4 PLACES	\pm ---	\pm ---																		
3 PLACES	\pm ---	\pm ---																				
2 PLACES	± 0.13	\pm ---																				
1 PLACE	± 0.25	\pm ---																				
	ANGULAR $\pm 1/2^\circ$	DRAWN BY JMENDOZA	DATE 2008/12/17	TITLE IMPACT BP ASSY PROTECTIVE HEADER COVERS																		
	DRAFT WHERE APPLICABLE MUST REMAIN WITHIN DIMENSIONS	APPROVED BY JBINGHAM	DATE 2009/12/29	MATERIAL NO. SEE CHART			MOLEX INCORPORATED DOCUMENT NO. SD-76279-001															



PART NUMBER	NUMBER OF PAIRS	NUMBER OF COLUMNS	DIM "A"	DIM "B"	TOOLED
76279-0210	2 PAIR	10 COLUMN	13.15	18.82	N/A
76279-0216	2 PAIR	16 COLUMN	13.15	30.22	N/A
76279-0310	3 PAIR	10 COLUMN	17.20	18.82	YES
76279-0316	3 PAIR	16 COLUMN	17.20	30.22	
76279-0408	4 PAIR	8 COLUMN	21.25	15.02	YES
76279-0410	4 PAIR	10 COLUMN	21.25	18.82	
76279-0416	4 PAIR	16 COLUMN	21.25	30.22	
76279-0510	5 PAIR	10 COLUMN	25.30	18.82	
76279-0516	5 PAIR	16 COLUMN	25.30	30.22	YES
76279-0610	6 PAIR	10 COLUMN	29.35	18.82	
76279-0614	6 PAIR	14 COLUMN	29.35	26.42	N/A
76279-0616	6 PAIR	16 COLUMN	29.35	30.22	YES

- NOTES:
- MATERIAL: HIGH IMPACT POLYSTYRENE
COLOR: NATURAL
 - CONNECTORS WITH HEADER COVERS ARE END TO END STACKABLE.
 - PACKAGE PER: PK-70873-804
 - THIS PART CONFORMS TO MOLEX PRODUCT SPECIFICATION: PS-75710-999
 - THIS PART CONFORMS TO CLASS B REQUIREMENTS OF COSMETIC SPEC PS-45499-002.

ADD 6X14 & 4X8 EC NO: UCP2011-2883 DRWN:JBINGHAM 2011/03/21 CHKD:JBINGHAM 2011/05/24 APPR:JBINGHAM 2011/05/25	DESCRIPTION REV	QUALITY SYMBOLS $\nabla=0$ $\nabla=0$	GENERAL TOLERANCES (UNLESS SPECIFIED)	DIMENSION STYLE IN/MM	SCALE 4:1	DESIGN UNITS INCH	THIRD ANGLE PROJECTION																									
		<table border="1"> <tr> <th></th> <th>mm</th> <th>INCH</th> </tr> <tr> <td>4 PLACES</td> <td>\pm ---</td> <td>\pm ---</td> </tr> <tr> <td>3 PLACES</td> <td>\pm ---</td> <td>\pm ---</td> </tr> <tr> <td>2 PLACES</td> <td>\pm 0.13</td> <td>\pm ---</td> </tr> <tr> <td>1 PLACE</td> <td>\pm 0.25</td> <td>\pm ---</td> </tr> </table>		mm	INCH	4 PLACES	\pm ---	\pm ---	3 PLACES	\pm ---	\pm ---	2 PLACES	\pm 0.13	\pm ---	1 PLACE	\pm 0.25	\pm ---	<table border="1"> <tr> <td>DRAWN BY</td> <td>DATE</td> </tr> <tr> <td>JMENDOZA</td> <td>2008/12/17</td> </tr> <tr> <td>CHECKED BY</td> <td>DATE</td> </tr> <tr> <td>JB INGHAM</td> <td>2008/12/17</td> </tr> <tr> <td>APPROVED BY</td> <td>DATE</td> </tr> <tr> <td>JB INGHAM</td> <td>2009/12/29</td> </tr> </table>	DRAWN BY	DATE	JMENDOZA	2008/12/17	CHECKED BY	DATE	JB INGHAM	2008/12/17	APPROVED BY	DATE	JB INGHAM	2009/12/29	TITLE IMPACT BP ASSY PROTECTIVE HEADER COVERS	
			mm	INCH																												
		4 PLACES	\pm ---	\pm ---																												
3 PLACES	\pm ---	\pm ---																														
2 PLACES	\pm 0.13	\pm ---																														
1 PLACE	\pm 0.25	\pm ---																														
DRAWN BY	DATE																															
JMENDOZA	2008/12/17																															
CHECKED BY	DATE																															
JB INGHAM	2008/12/17																															
APPROVED BY	DATE																															
JB INGHAM	2009/12/29																															
MATERIAL NO. SEE CHART		MOLEX MOLEX INCORPORATED	SHEET NO. 1 OF 1																													
DRAFT WHERE APPLICABLE MUST REMAIN WITHIN DIMENSIONS			DOCUMENT NO. SD-76279-001		THIS DRAWING CONTAINS INFORMATION THAT IS PROPRIETARY TO MOLEX INCORPORATED AND SHOULD NOT BE USED WITHOUT WRITTEN PERMISSION																											