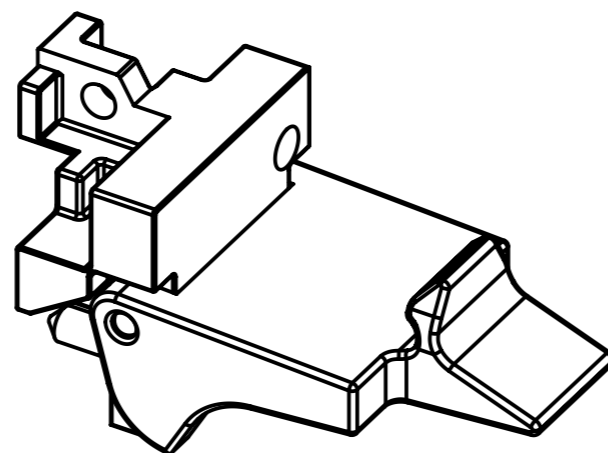
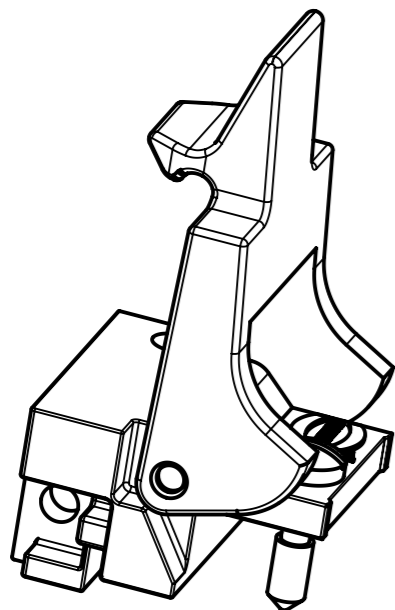
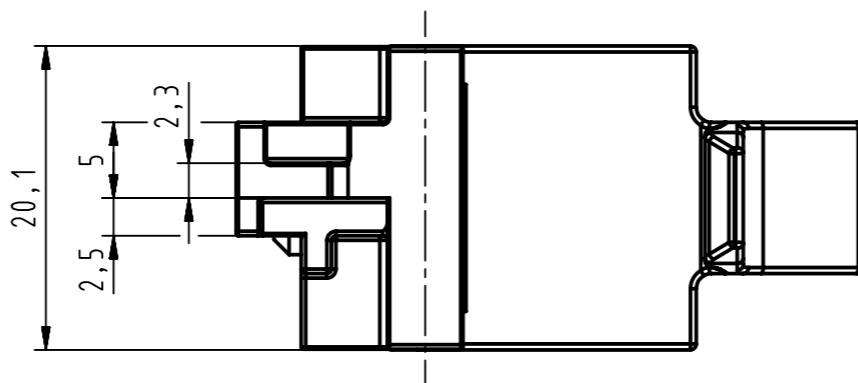
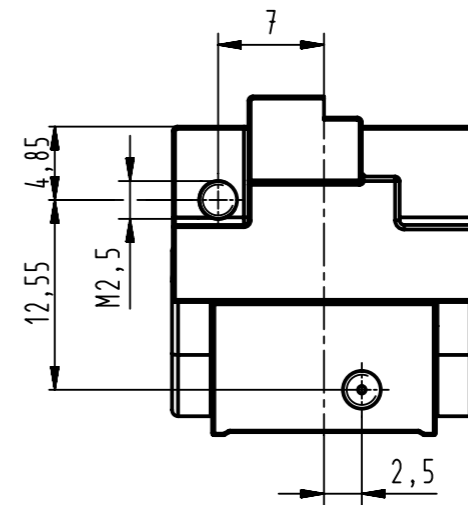
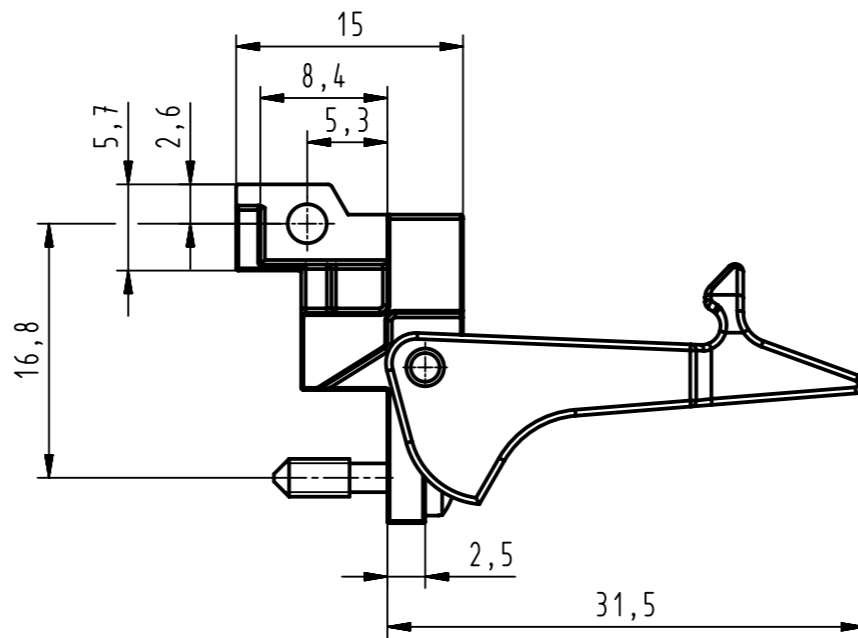


torque: 0,3 Nm



-fixing bracket of nickel plated zinc die casting
 -plastic fixing lever material: PA (thermoplastics, glass fiber reinforcement 25%)
 -NFF F2/13

	All Dimensions in mm Original Size DIN A3		Scale 2:1	Free size tol.		Ref.	
	All rights reserved		Created by STOICA	Inspected by AVRAM	Standardisation HOFFMANN	Date 2013-03-20	State Final Release
Department EC PD - RO		Title DIN-Power bracket left D20metal				Doc-Key / ECH-Nr. 100222301/UGD/002/C	
HARTING Electronics GmbH D-32339 Espelkamp		Type TB	Number 09068009946			Rev. C	Page 1/1