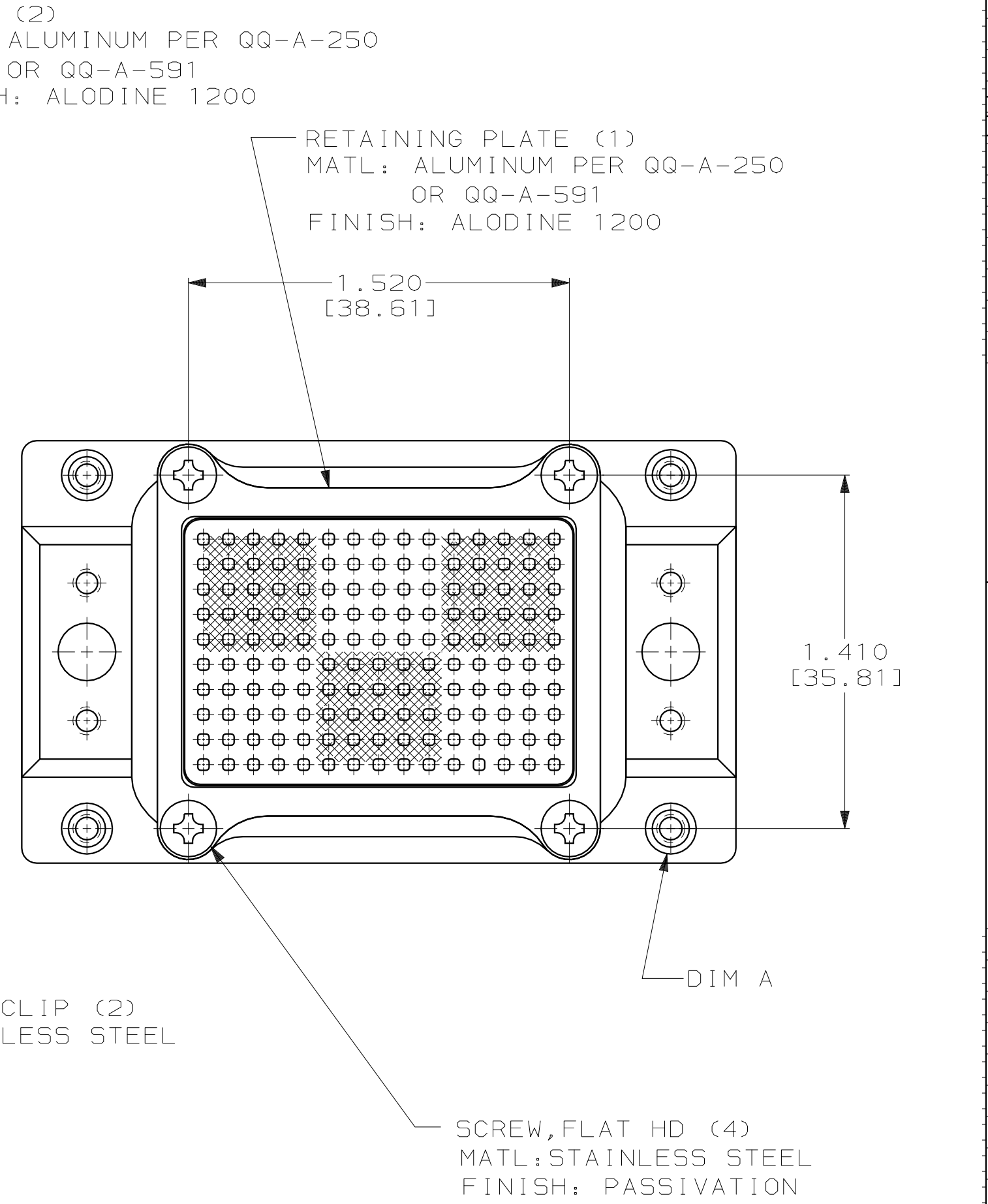
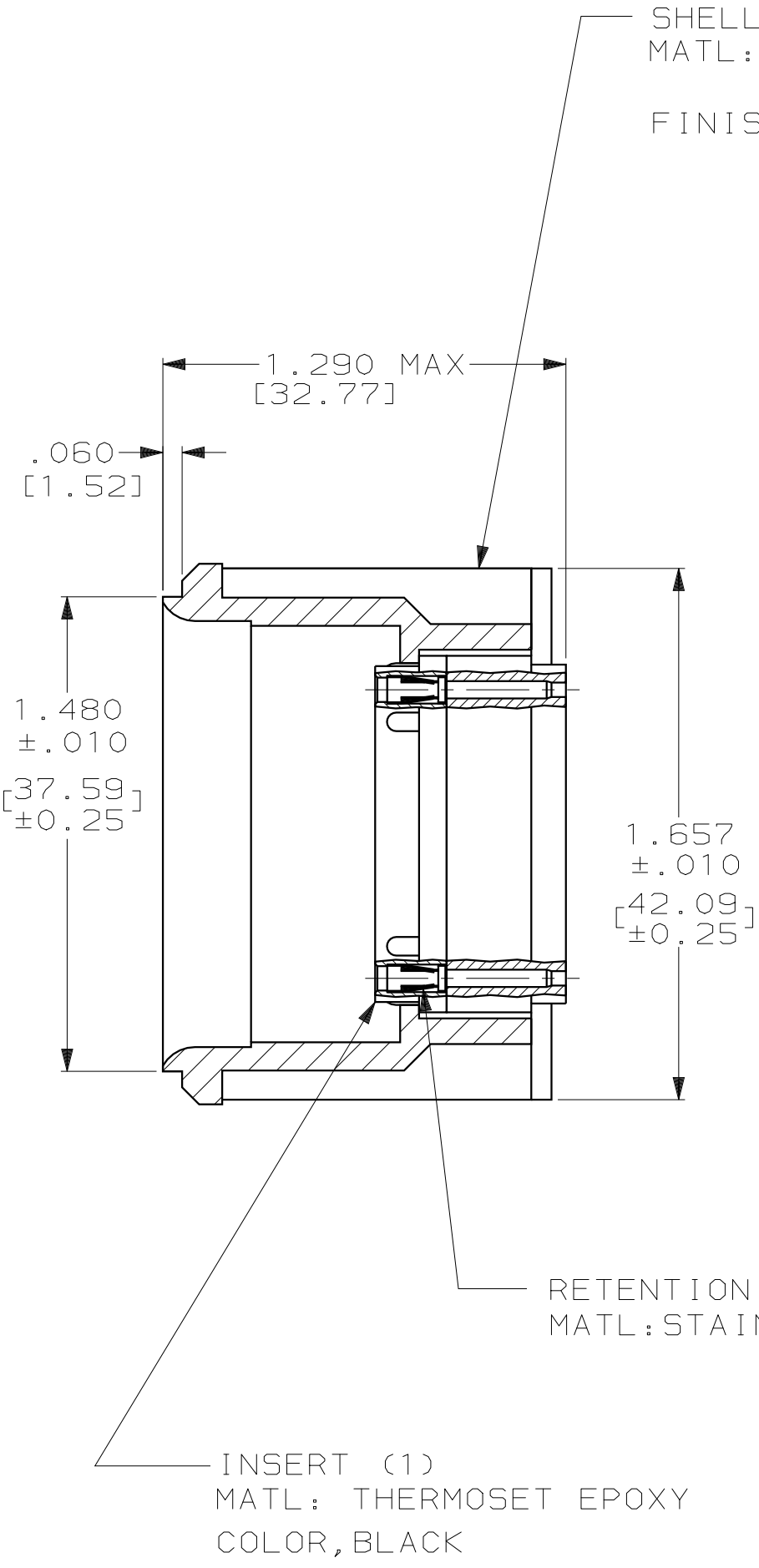
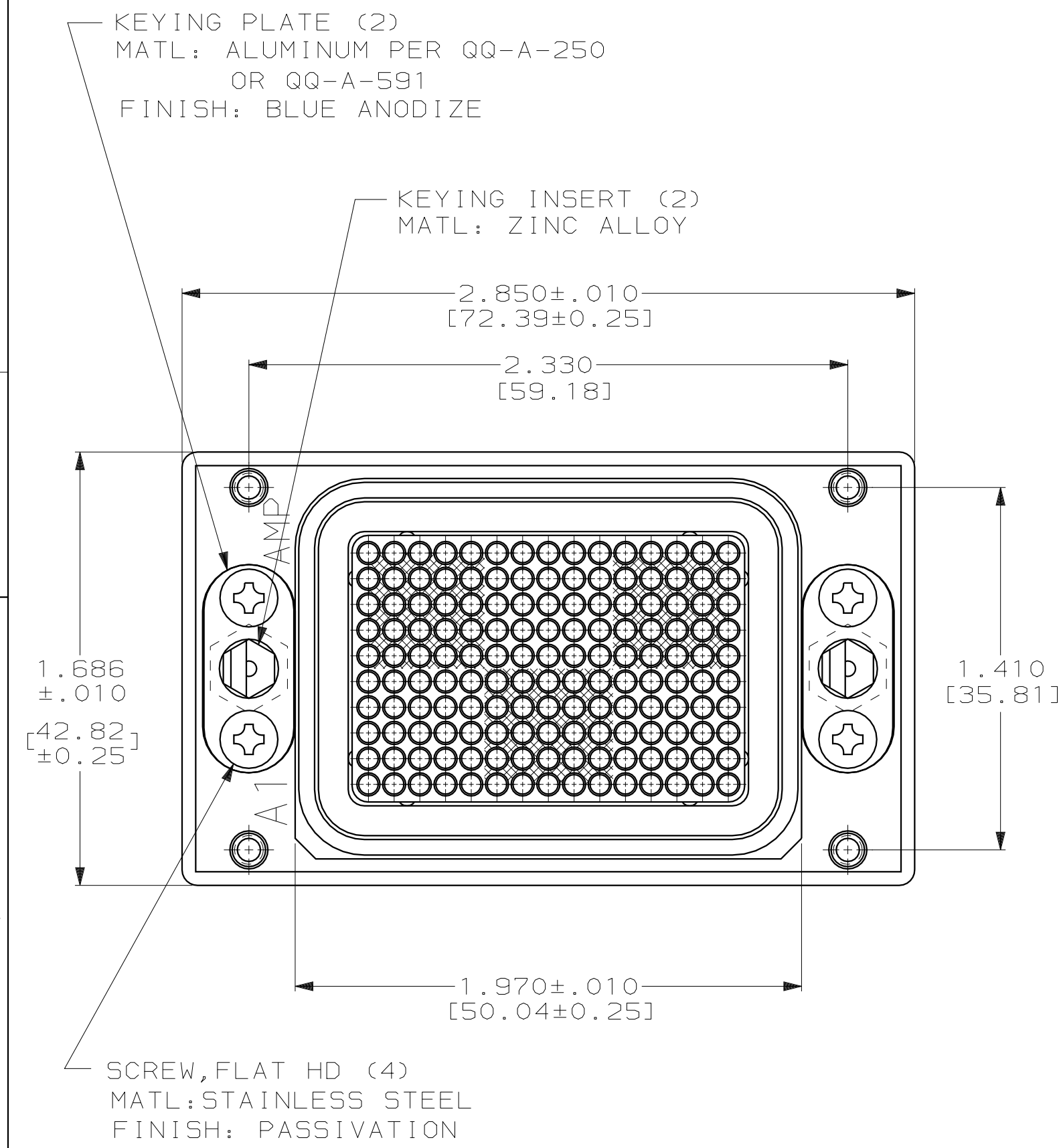


LOC	DIST	P	F	ZONE	LTR	REVISIONS	DATE	APPD	
DF	AO				A	REV PER 0G3D-0439-03	CT	10-03	SG



1. KEYING SUPPLIED UNASSEMBLED

NONE	Ø.146-.156	448270-2
208264-2 (QTY=150)	W/ #4-40 CLINCH NUTS	448270-1
CONTACTS INCLUDED	DIM A	PART NUMBER

DO NOT SCALE PRINT. UNLESS SPECIFIED DIMENSIONS IN INCHES [mm] TOLERANCES ON : 2 PLC DEC ± - 3 PLC DEC ± .005 ANGLES ± - MATERIAL SEE CALLOUTS FINISH SEE CALLOUTS	DR 8-8-91 P. YEAGER	<b>AMP</b> AMP Incorporated Harrisburg, PA 17105-3608	
	CHK 10-21-94 R. GROSS		
	APPD 10-21-94 R. GROSS	NAME RECEPTACLE ASSY, SINGLE MOD NIC 600	
	APPD 10-21-94 R. GROSS	PRODUCT SPEC -	SIZE C 00779
	APPLICATION SPEC -	SCALE 2:1	SHEET 1 OF 1
	WEIGHT -		