



# *SpeedPLUS™* 10-Bit, 20MHz, +3V Supply ANALOG-TO-DIGITAL CONVERTER

## FEATURES

- **LOW POWER:** 48mW at +3V
- **SUPPLY RANGE:** +2.7V to +3.7V
- **ADJUSTABLE FULL SCALE RANGE WITH EXTERNAL REFERENCES**
- **NO MISSING CODES**
- **WIDEBAND TRACK/HOLD:** 350MHz
- **POWER DOWN:** 15mW
- **SSOP-28 PACKAGE**

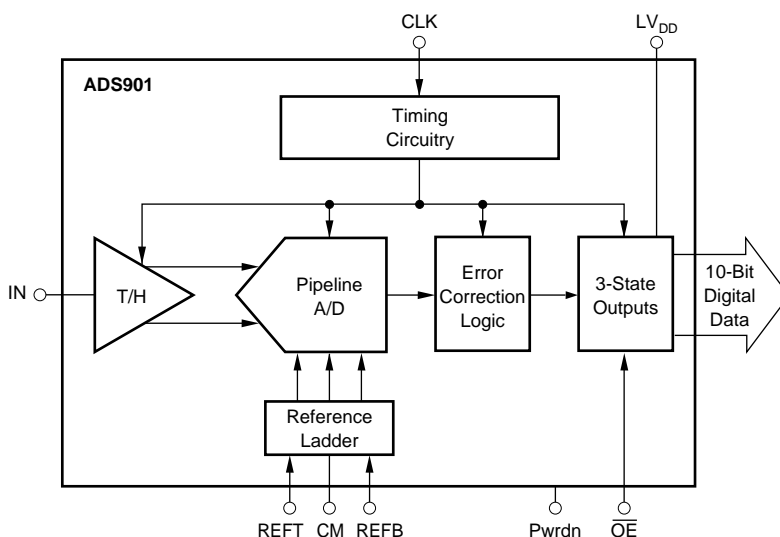
## APPLICATIONS

- **BATTERY POWERED EQUIPMENT**
- **CAMCORDERS**
- **DIGITAL CAMERAS**
- **COMPUTER SCANNERS**
- **COMMUNICATIONS**

## DESCRIPTION

The ADS901 is a high-speed pipelined analog-to-digital converter that operates from a +3V power supply. This complete converter includes a wide bandwidth track/hold and a 10-bit quantizer. The full scale input range is set by external references.

The ADS901 employs digital error correction techniques to provide excellent differential linearity for demanding imaging applications. Its low distortion and high SNR give the extra margin needed for telecommunications, video and test instrumentation applications. The ADS901 is available in an SSOP-28 package.



Please be aware that an important notice concerning availability, standard warranty, and use in critical applications of Texas Instruments semiconductor products and disclaimers thereto appears at the end of this data sheet.

## ABSOLUTE MAXIMUM RATINGS

+V <sub>S</sub> .....	+6V
Logic V <sub>DD</sub> .....	+6V
Analog Input .....	+V <sub>S</sub> +0.3V
Logic Input .....	+V <sub>S</sub> +0.3V
Case Temperature .....	+100°C
Junction Temperature .....	+150°C
Storage Temperature .....	+125°C



## ELECTROSTATIC DISCHARGE SENSITIVITY

This integrated circuit can be damaged by ESD. Texas Instruments recommends that all integrated circuits be handled with appropriate precautions. Failure to observe proper handling and installation procedures can cause damage.

ESD damage can range from subtle performance degradation to complete device failure. Precision integrated circuits may be more susceptible to damage because very small parametric changes could cause the device not to meet its published specifications.

## PACKAGE/ORDERING INFORMATION

PRODUCT	PACKAGE	PACKAGE DRAWING NUMBER	SPECIFIED TEMPERATURE RANGE	PACKAGE MARKING	ORDERING NUMBER <sup>(1)</sup>	TRANSPORT MEDIA
ADS901E	SSOP-28	324	-40°C to +85°C	ADS901E	ADS901E	Rail
ADS901E	SSOP-28	324	-40°C to +85°C	ADS901E	ADS901E/1K	Tape and Reel

NOTES: (1) Models with a slash (/) are available only in Tape and Reel in the quantities indicated (e.g., /1K indicates 1000 devices per reel). Ordering 1000 pieces of "ADS901E/1K" will get a single 1000-piece Tape and Reel.

## ELECTRICAL CHARACTERISTICS

At T<sub>A</sub> = +25°C, V<sub>S</sub> = LV<sub>DD</sub> = +3V, REFB = 1V, REFT = 2V, Specified Input Range = 1V to 2V, Sampling Rate = 20MHz, unless otherwise specified.

PARAMETER	CONDITIONS	TEMP	ADS901E			UNITS
			MIN	TYP	MAX	
Resolution Specified Temperature Range	Ambient Air		-40	10	+85	Bits °C
<b>ANALOG INPUT</b> Specified Full Scale Input Range <sup>(1)</sup> Common-Mode Voltage (Midscale) Analog Input Bias Current Input Impedance				1Vp-p 1.5 1 1.25    5		V V μA MΩ    pF
<b>DIGITAL INPUT</b> Logic Family Convert Command (Start Conversion)	Start Conversion		CMOS Compatible Rising Edge of Convert Clock			
<b>CONVERSION CHARACTERISTICS</b> Sample Rate Data Latency		Full	10k	5	20M	Samples/s Clk Cyc

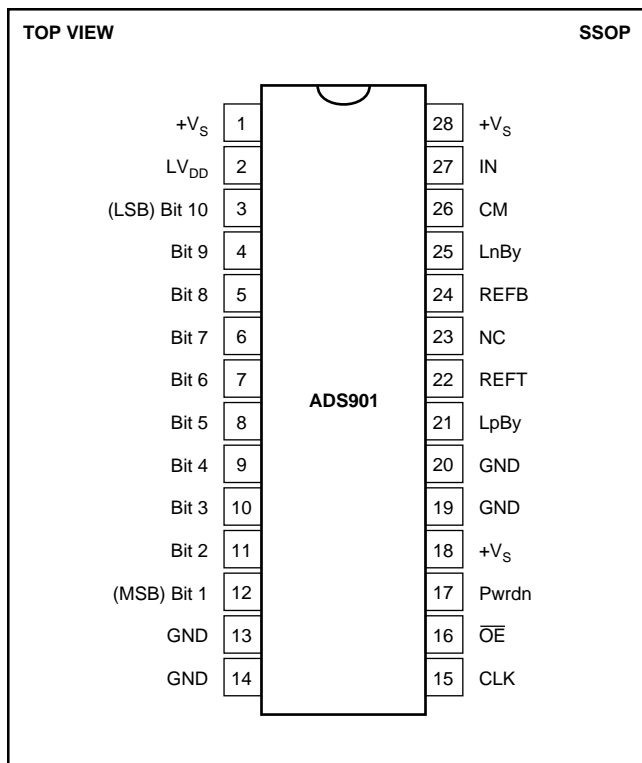
# ELECTRICAL CHARACTERISTICS (Cont.)

At  $T_A = +25^\circ\text{C}$ ,  $V_S = LV_{DD} = +3\text{V}$ ,  $\text{REFB} = 1\text{V}$ ,  $\text{REFT} = 2\text{V}$ , Specified Input Range = 1V to 2V, Sampling Rate = 20MHz, unless otherwise specified.

PARAMETER	CONDITIONS	TEMP	ADS901E			UNITS
			MIN	TYP	MAX	
<b>DYNAMIC CHARACTERISTICS</b>						
Differential Linearity Error (Largest Code Error)						
$f = 500\text{kHz}$		Full		$\pm 0.8$		LSB
$f = 9\text{MHz}$		Full		$\pm 0.9$	$\pm 1.0$	LSB
No Missing Codes		Full		Guaranteed		
Integral Nonlinearity Error, $f = 500\text{kHz}$		Full		$\pm 3.5$		LSB
Spurious Free Dynamic Range <sup>(2)</sup>						
$f = 500\text{kHz}$ (–1dBFS <sup>(3)</sup> input)		Full		50		dBFS <sup>(3)</sup>
$f = 9\text{MHz}$ (–1dBFS input)		Full	45	49		dBFS
Signal-to-Noise Ratio (SNR)	Referred to Sinewave Input Signal					
$f = 500\text{kHz}$ (–1dBFS input)		Full		53		dB
$f = 9\text{MHz}$ (–1dBFS input)		Full	48	53		dB
Maximum SNR	Referred to DC Full Scale Input Signal					
$f = 9\text{MHz}$ (–1dBFS input)				62		dB
Signal-to-(Noise + Distortion) (SINAD)						
$f = 500\text{kHz}$ (–1dBFS input)		Full		50		dB
$f = 3.58\text{MHz}$ (–1dBFS input)		Full		50		dB
$f = 9\text{MHz}$ (–1dBFS input)		Full	45	49		dB
Effective Number of Bits <sup>(4)</sup>	$f_{IN} = 3.58\text{MHz}$			8.0		Bits
Differential Gain Error	NTSC, PAL			2.3		%
Differential Phase Error	NTSC, PAL			1.0		degrees
Output Noise	Input Grounded			0.2		LSB rms
Aperture Delay Time				3		ns
Aperture Jitter				7		ps rms
Analog Input Bandwidth						
Small Signal	–20dBFS Input			350		MHz
Full Power	0dBFS Input			100		MHz
Overvoltage Recovery Time <sup>(5)</sup>				2		ns
<b>DIGITAL OUTPUTS</b>						
Logic Family	$C_L = 15\text{pF}$			CMOS Compatible		
Logic Coding				Straight Offset Binary		
High Output Voltage, $V_{OH}$			+2.4		$LV_{DD}$	V
Low Output Voltage, $V_{OL}$					+0.4	V
3-State Enable Time	$\overline{OE} = L$			20	40	ns
3-State Disable Time	$OE = H$			18	10	ns
Internal Pull-Down to Gnd				50		k $\Omega$
Power-Down Enable Time	Pwr <sub>dn</sub> = L			133		ns
Power-Down Disable Time	Pwr <sub>dn</sub> = H			18		ns
Internal Pull-Down to Gnd				50		k $\Omega$
<b>ACCURACY</b>						
Gain Error	$f_S = 2.5\text{MHz}$	Full		2.5		%FS
Input Offset <sup>(6)</sup>		Full		0.4		%FS
Power Supply Rejection (Gain)		Full		56		dB
Power Supply Rejection (Offset)	$\Delta V_S = +10\%$	Full		68		dB
External REFT Voltage Range		Full	REFB +0.5	2	$V_S - 0.8$	V
External REFB Voltage Range		Full	0.8	1	REFT –0.5	V
Reference Input Resistance				4		k $\Omega$
<b>POWER SUPPLY REQUIREMENTS</b>						
Supply Voltage: $+V_S$	Operating	Full	+2.7	+3.0	+3.7	V
Supply Current: $+I_S$	Operating	Full		16		mA
Power Dissipation	Operating	Full		49	60	mW
Power Dissipation (Power Down)	Operating	Full		15		mW
Thermal Resistance, $\theta_{JA}$						
28-Lead SSOP				89		$^\circ\text{C/W}$

NOTES: (1) The single-ended input range is set by REFB and REFT values. (2) Spurious Free Dynamic Range refers to the magnitude of the largest harmonic. (3) dBFS is dB relative to full scale. (4) Based on (SINAD - 1.76)/6.02. (5) No "Rollover" of bits. (6) Offset Deviation from Ideal Negative Full Scale.

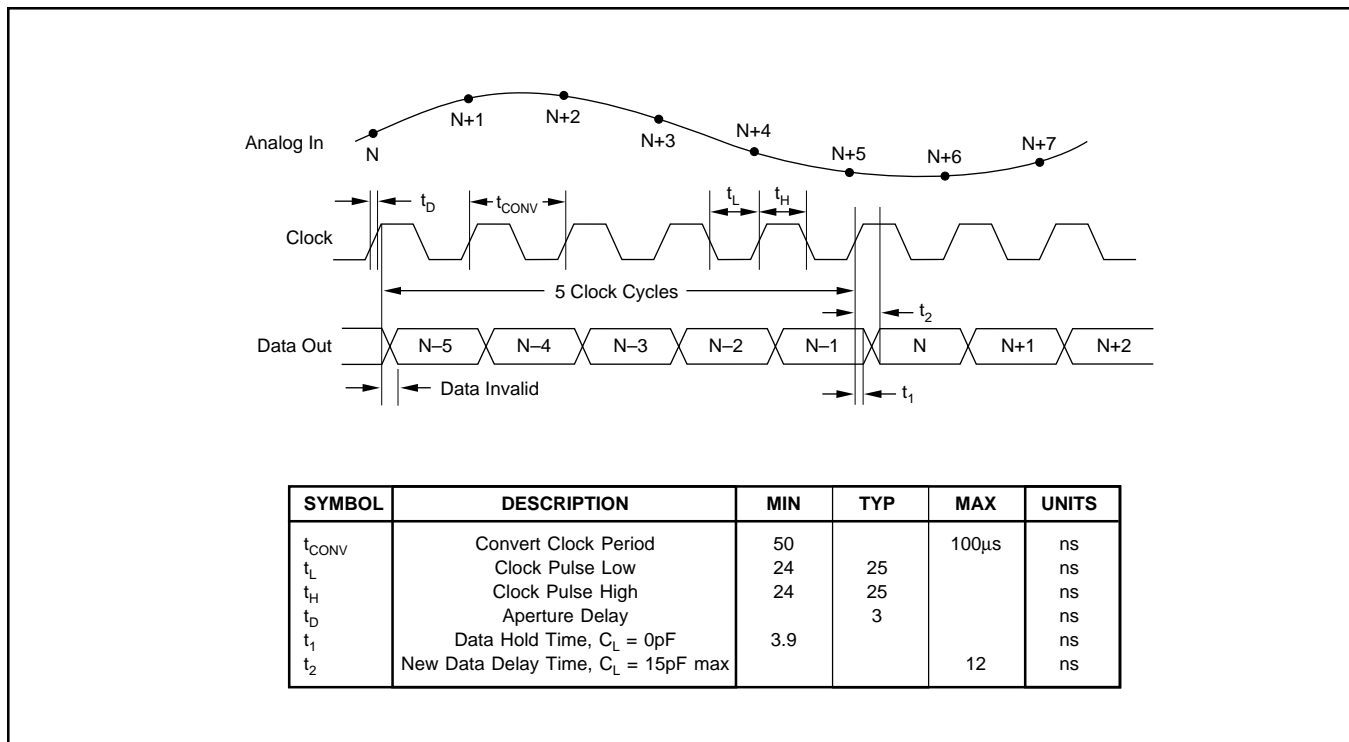
## PIN CONFIGURATION



## PIN DESCRIPTIONS

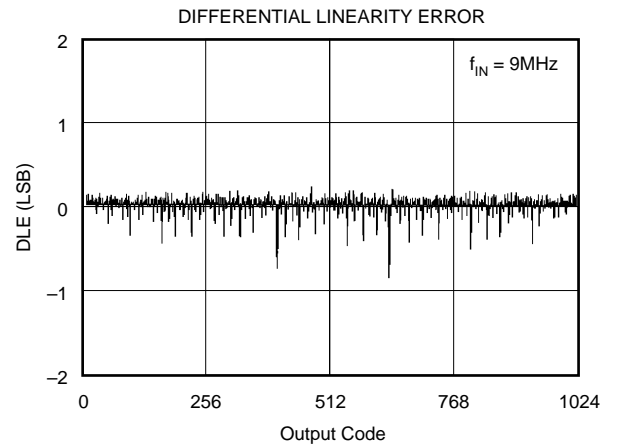
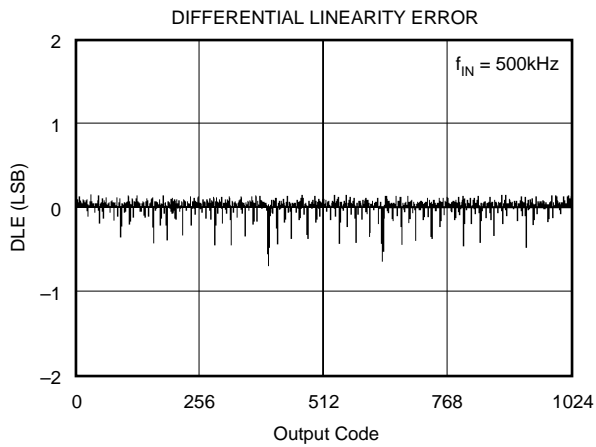
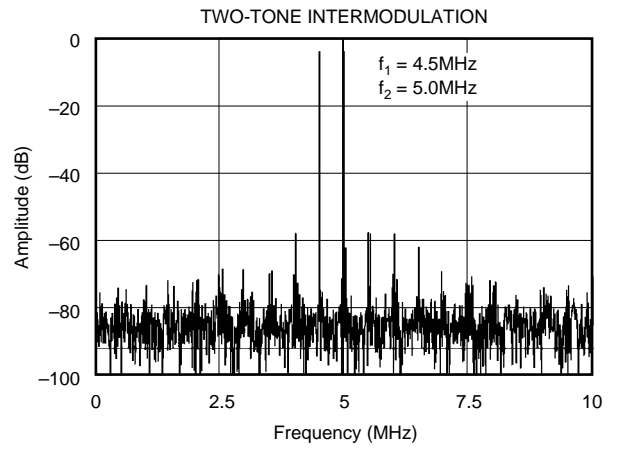
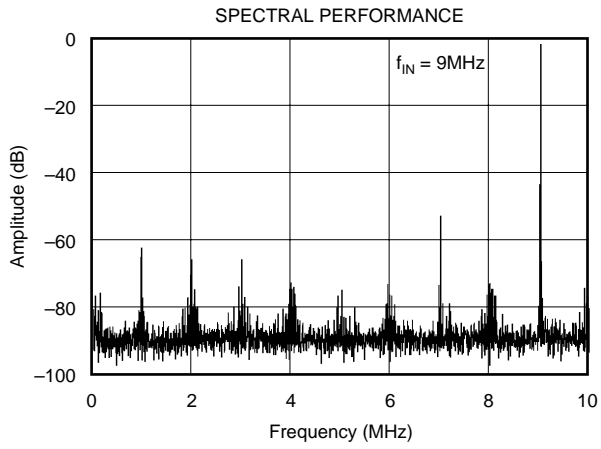
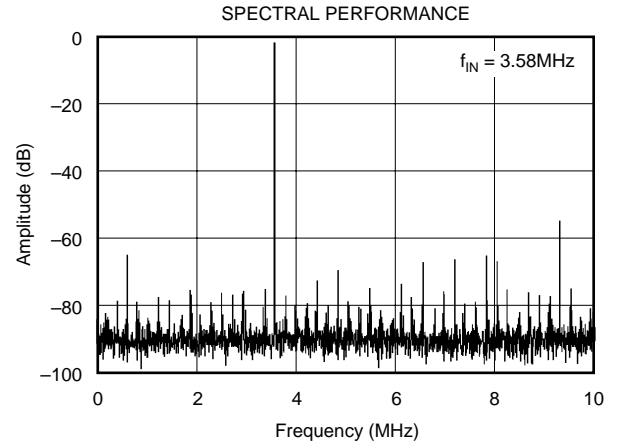
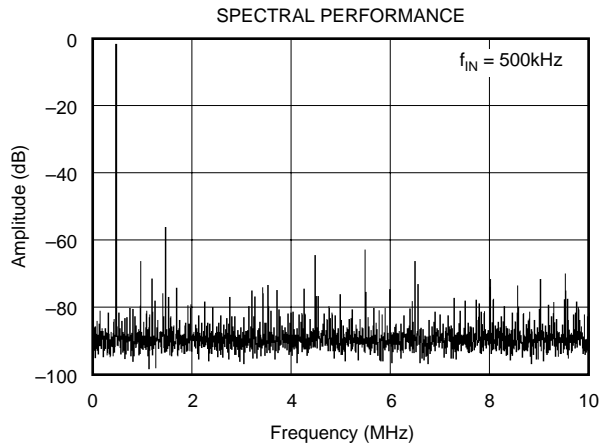
PIN	DESIGNATOR	DESCRIPTION
1	+V <sub>S</sub>	Analog Supply
2	LV <sub>DD</sub>	Output Logic Driver Supply Voltage
3	Bit 10	Data Bit 10 (D0) (LSB)
4	Bit 9	Data Bit 9 (D1)
5	Bit 8	Data Bit 8 (D2)
6	Bit 7	Data Bit 7 (D3)
7	Bit 6	Data Bit 6 (D4)
8	Bit 5	Data Bit 5 (D5)
9	Bit 4	Data Bit 4 (D6)
10	Bit 3	Data Bit 3 (D7)
11	Bit 2	Data Bit 2 (D8)
12	Bit 1	Data Bit 1 (D9) (MSB)
13	GND	Analog Ground
14	GND	Analog Ground
15	CLK	Convert Clock Input
16	$\overline{OE}$	Output Enable, Active Low
17	PwrDn	Power Down Pin
18	+V <sub>S</sub>	Analog Supply
19	GND	Analog Ground
20	GND	Analog Ground
21	LpBy	Positive Ladder Bypass
22	REFT	Top Reference Input
23	NC	No Connection
24	REFB	Bottom Reference Input
25	LnBy	Negative Ladder Bypass
26	CM	Common-Mode Voltage Output
27	IN	Analog Input
28	+V <sub>S</sub>	Analog Supply

## TIMING DIAGRAM



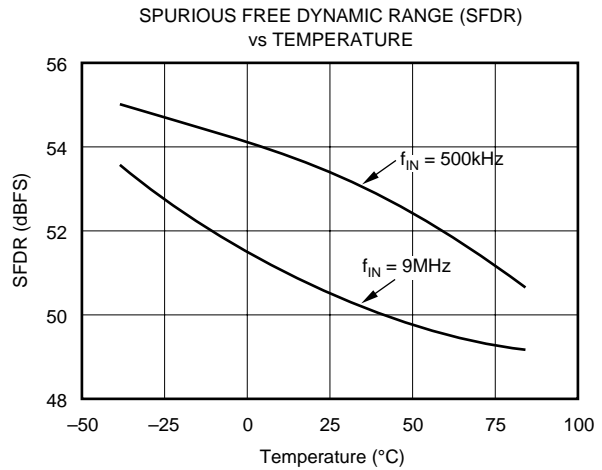
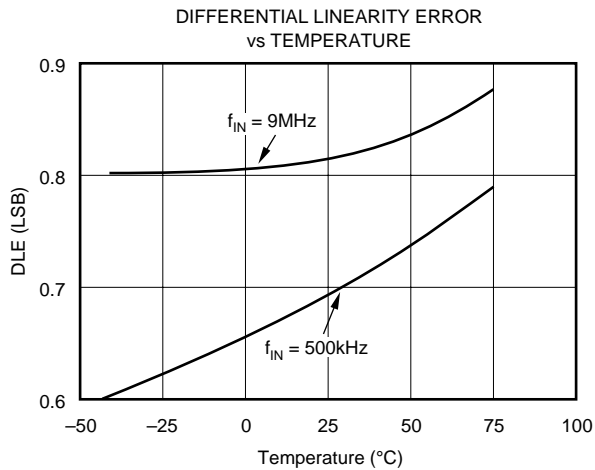
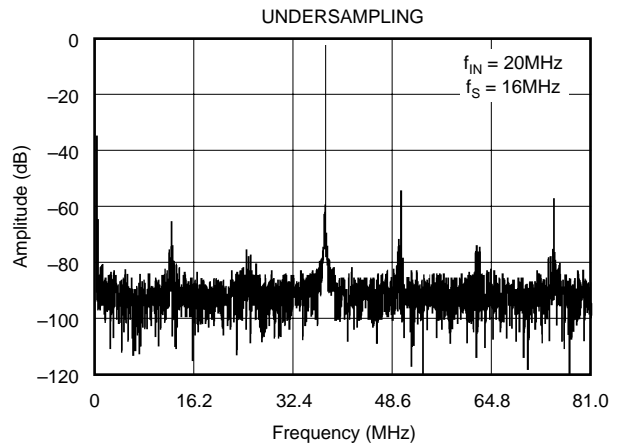
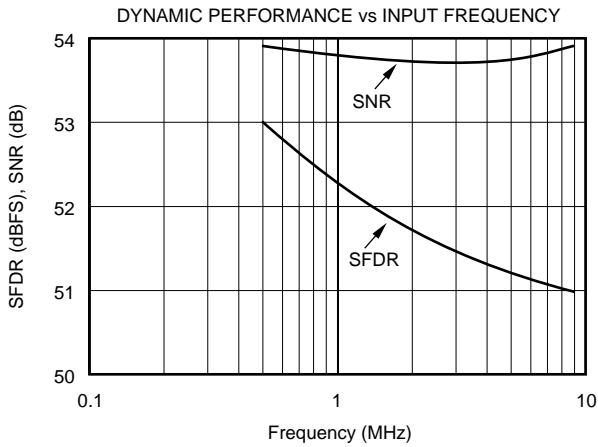
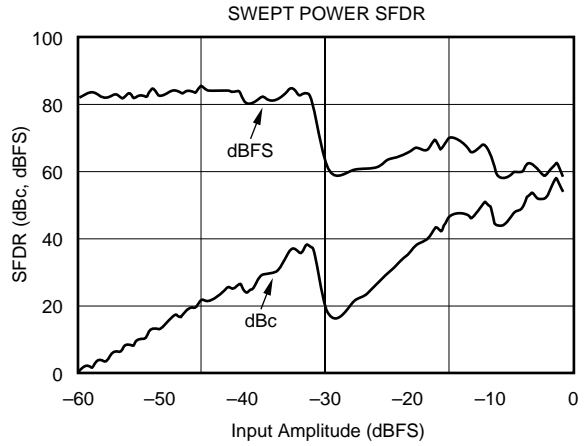
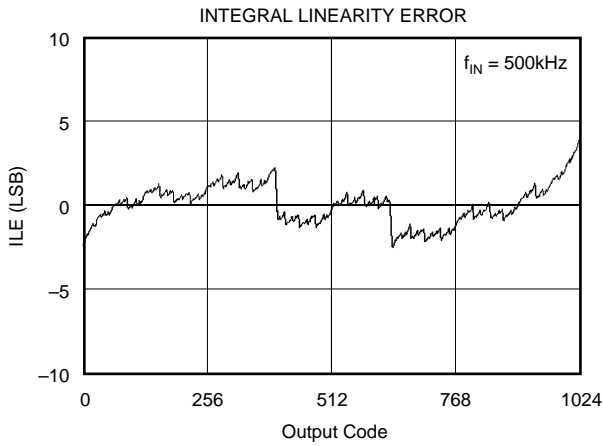
# TYPICAL CHARACTERISTICS

At  $T_A = +25^\circ\text{C}$ ,  $V_S = \text{Logic } V_{DD} = +3\text{V}$ ,  $\text{REFB} = 1\text{V}$ ,  $\text{REFT} = 2\text{V}$ , Specified Input Range = 1V to 2V, Sampling Rate = 20MHz, unless otherwise specified.



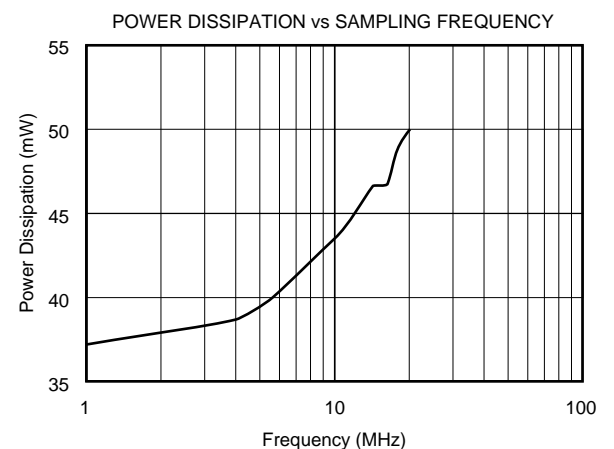
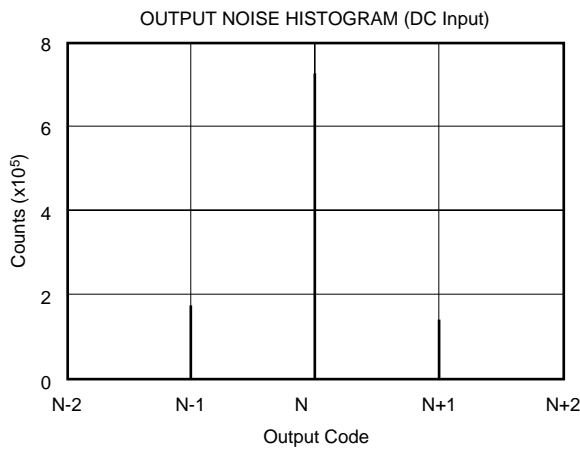
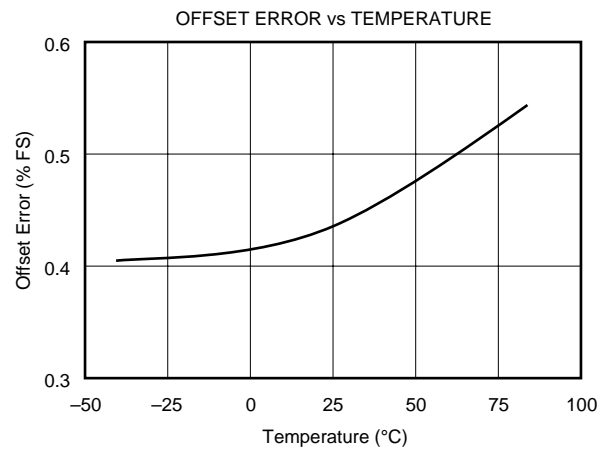
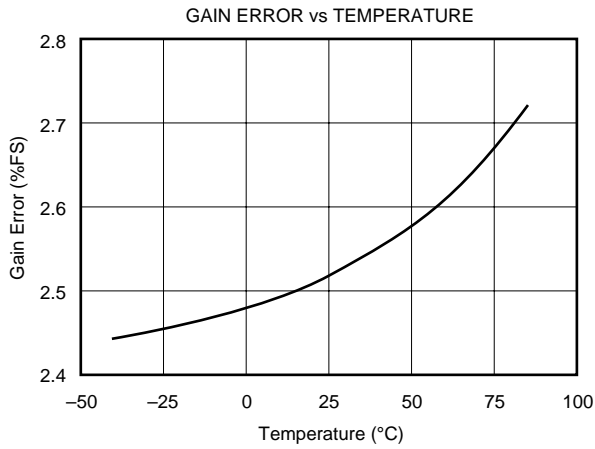
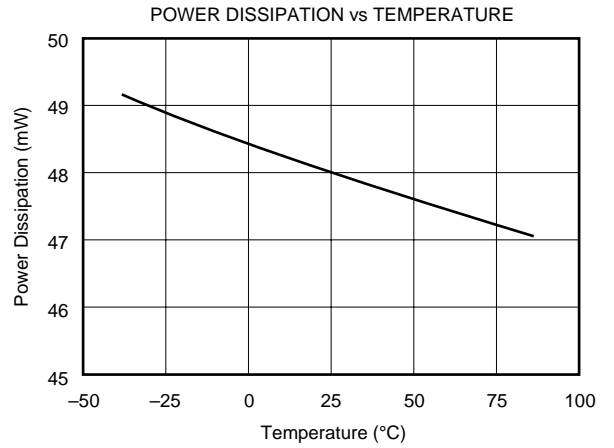
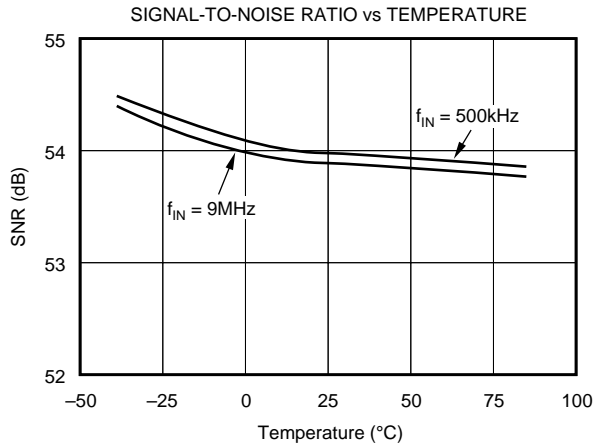
# TYPICAL CHARACTERISTICS (Cont.)

At  $T_A = +25^\circ\text{C}$ ,  $V_S = \text{Logic } V_{DD} = +3\text{V}$ ,  $\text{REFB} = 1\text{V}$ ,  $\text{REFT} = 2\text{V}$ , Specified Input Range = 1V to 2V, Sampling Rate = 20MHz, unless otherwise specified.



# TYPICAL CHARACTERISTICS (Cont.)

At  $T_A = +25^\circ\text{C}$ ,  $V_S$ , Logic  $V_{DD} = +3\text{V}$ ,  $\text{REFB} = 1\text{V}$ ,  $\text{REFT} = 2\text{V}$ , Specified Input Range = 1V to 2V, Sampling Rate = 20MHz, unless otherwise specified.



# THEORY OF OPERATION

The ADS901 is a high speed sampling analog-to-digital converter that utilizes a pipeline architecture. The fully differential topology and digital error correction guarantee 10-bit resolution. The differential track/hold circuit is shown in Figure 1. The switches are controlled by an internal clock which has a non-overlapping two phase signal,  $\phi 1$  and  $\phi 2$ . At the sampling time the input signal is sampled on the bottom plates of the input capacitors. In the next clock phase,  $\phi 1$ , the bottom plates of the input capacitors are connected together and the feedback capacitors are switched to the op amp output. At this time the charge redistributes between  $C_1$  and  $C_H$ , completing one track/hold cycle. The differential output is a held DC representation of the analog input at the sample time. The track/hold circuit can also convert a single-ended input signal into a fully differential signal for the quantizer. Consequently, the input signal-to-noise performance. Other parameters such as small-signal and full-power bandwidth, and wideband noise are also defined in this stage.

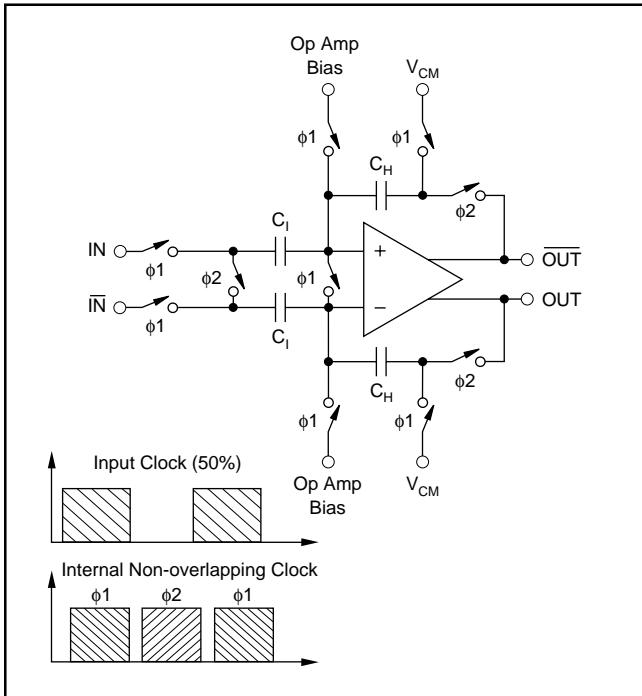


FIGURE 1. Input Track/Hold Configuration with Timing Signals.

The pipelined quantizer architecture has 9 stages with each stage containing a two-bit quantizer and a two bit digital-to-analog converter, as shown in Figure 2. Each two-bit quantizer stage converts on the edge of the sub-clock, which is the same frequency of the externally applied clock. The output of each quantizer is fed into its own delay line to time-align it with the data created from the following quantizer stages. This aligned data is fed into a digital error correction circuit which can adjust the output data based on the information found on the redundant bits. This technique provides the ADS901 with excellent differential linearity and guarantees no missing codes at the 10-bit level.

To accommodate a bipolar signal swing, the ADS901 operates with a common-mode voltage ( $V_{CM}$ ) which is derived from the external references. Due to the symmetric resistor ladder inside the ADS901, the  $V_{CM}$  is situated between the top and bottom reference voltage. Equation (1) can be used for calculating the common-mode voltage level.

$$V_{CM} = (REFT + REFB)/2 \quad (1)$$

There is a 5.0 clock cycle data latency from the start convert signal to the valid output data. The standard output coding is Straight Offset Binary where a full scale input signal corresponds to all "1's" at the output. The digital outputs of the ADS901 can be set to a high impedance state by driving the three-state (pin 16) with a logic "HI". Normal operation is achieved with pin 16 "LO" or Floating due to internal pull-down resistors. This function is provided for testability purposes but is not recommended to be used dynamically.

# APPLICATIONS

## SIGNAL SWING AND COMMON-MODE CONSIDERATIONS

The ADS901 is designed to operate on a +3V single supply voltage. The nominal input signal swing is 1Vp-p, situated between +1V and +2V. This means that the signal swings  $\pm 0.5V$  around a common-mode voltage of +1.5V, which is half the supply voltage ( $V_{CM} = V_S/2$ ). In some applications it might be advantageous to increase the input signal swing. This will improve the achievable signal-to-noise performance. However, considerations should be made to keep the signal swing within the linear range of operation of the driving circuitry to avoid any excessive distortion. In extreme situations the performance of the converter will start to degrade due to variations of the input's switch on-resistance over the input voltage. Therefore, the signal swing should remain approximately 0.5V away from each rail during normal operation.

## DRIVING THE ANALOG INPUTS

### AC-COUPLED DRIVER

Figure 2 shows an example of an ac-coupled, single-ended interface circuit using a high-speed op amp that operates on

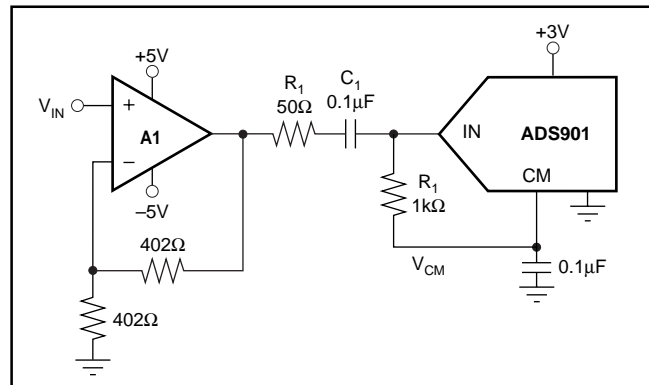


FIGURE 2. AC-Coupled, Single-Ended Interface Circuit.



dual supplies (OPA650, OPA658). The mid-point reference voltage,  $V_{CM}$ , biases the bipolar, ground-referenced input signal. The capacitor  $C_1$  and resistor  $R_1$  form a high-pass filter with the  $-3\text{dB}$  frequency set at

$$f_{-3\text{dB}} = 1/(2 \pi R_1 C_1) \quad (2)$$

The values for  $C_1$  and  $R_1$  are not critical in most applications and can be set freely. The values shown correspond to a frequency of 1.6kHz.

Figure 3 depicts a circuit that can be used in single-supply applications. The mid-reference voltage biases the op amp up to the appropriate common-mode voltage, for example  $V_{CM} = +1.5\text{V}$ . With the use of capacitor  $C_G$  the DC gain for the non-inverting op amp input is set to  $+1\text{V/V}$ . As a result the transfer function is modified to

$$V_{\text{OUT}} = V_{\text{IN}} \{(1 + R_F/R_G) + V_{\text{CM}}\} \quad (3)$$

Again, the input coupling capacitor  $C_1$  and resistor  $R_1$  form a high-pass filter. At the same time the input impedance is defined by  $R_1$ . Resistor  $R_S$  isolates the op amp's output from the capacitive load to avoid gain peaking or even oscillation. It can also be used to establish a defined bandwidth to reduce the wideband noise. The recommended value is usually between  $10\Omega$  and  $100\Omega$ .

### DC-COUPLED INTERFACE CIRCUIT

Many systems are now requiring  $+3\text{V}$  single supply capability of both the A/D converter and its driver. Figure 4 shows an example for DC-coupled configuration operating solely

on a  $+3\text{V}$  supply voltage. The OPA632 provides excellent performance in this demanding application. Its wide input and output voltage ranges, an low distortion, supports the ADS901 well. The OPA632 is configured for a gain of  $+2$ . The  $374\Omega$  and  $2.26\text{k}\Omega$  resistors at the input level-shift  $V_{\text{IN}}$  so that  $V_{\text{OUT}}$  is within the allowed output voltage range when  $V_{\text{IN}} = 0$ . The input impedance of the driver circuit is set to match to a  $50\Omega$  source impedance. The input level-shifting was designed that  $V_{\text{IN}}$  can be between  $0\text{V}$  and  $5\text{V}$ , while delivering an output voltage of  $1\text{V}$  to  $2\text{V}$  into the ADS901. Both the OPA632 and ADS901 have a power-down function pin with the same polarity for those systems the need to conserve power.

### EXTERNAL REFERENCE

The ADS901 requires external references on pin 22 (REFT) and 24 (REFB). Internally those pins are connected through a resistor ladder, which has a nominal resistance of  $4\text{k}\Omega$  ( $\pm 15\%$ ). In order to establish a correct voltage drop across the ladder the external reference circuit must be able to typically supply  $250\mu\text{A}$  of current. With this current the full-scale input range of the ADS901 is set between  $+1\text{V}$  and  $+2\text{V}$ , or  $1\text{Vp-p}$ . In general, the voltage drop across REFT and REFB determines the input full-scale range (FSR) of the ADS901. Equation (4) can be used to calculate the span.

$$\text{FSR} = \text{REFT} - \text{REFB} \quad (4)$$

Depending on the application, several options are possible to supply the external reference voltages to the ADS901 without degrading the typical performance.

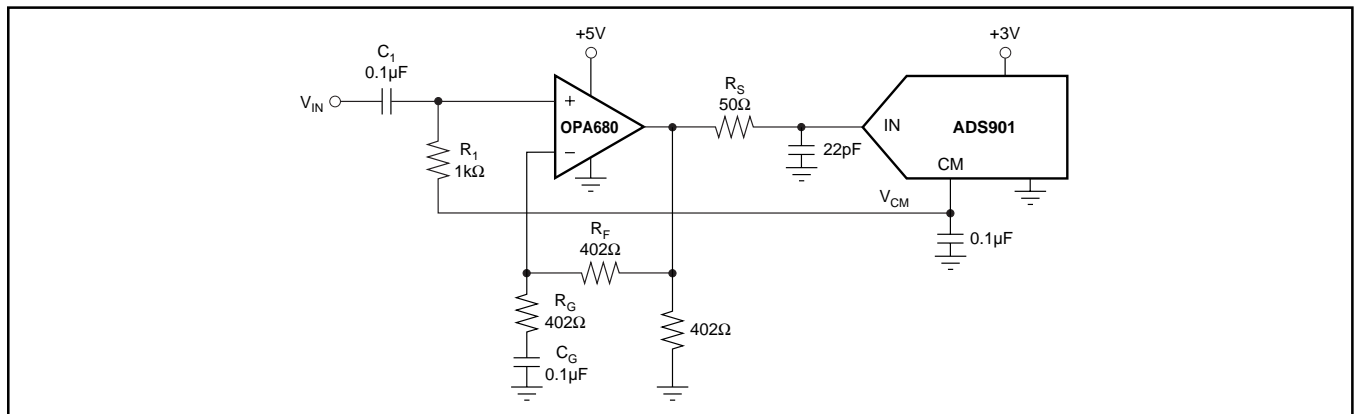


FIGURE 3. Interface Circuit. Example using the voltage feedback amplifier OPA680.

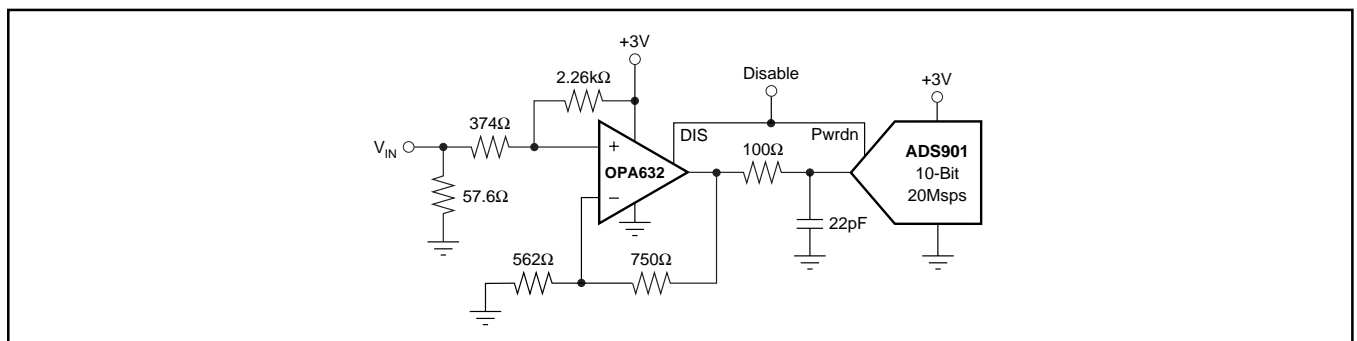


FIGURE 4. DC-Coupled Interface Circuit for  $+3\text{V}$  Single-Supply Operation.

## LOW-COST REFERENCE SOLUTION

The easiest way to achieve the required reference voltages is to place the reference ladder of the ADS901 between the supply rails, as shown in Figure 5. Two additional resistors ( $R_T$ ,  $R_B$ ) are necessary to set the correct current through the ladder. However depending on the desired full-scale swing and supply voltage different resistor values might be selected.

The trade-offs, when selecting this reference circuit, are variations in the reference voltages due to component tolerances and power supply variations. In any case, it is recommended to bypass the reference ladder with at least 0.1 $\mu$ F ceramic capacitors, as shown in Figure 5. The capacitors serve a dual purpose. They will bypass most of the high frequency transient noise which results from feedthrough of the clock and switching noise from the T/H stages. Secondly, they serve as a charge reservoir to supply instantaneous current to internal nodes.

SINGLE-ENDED INPUT	STRAIGHT OFFSET BINARY (SOB) PIN 12 FLOATING or LO
+FS (IN = +2V)	1111111111
+FS -1LSB	1111111111
+FS -2LSB	1111111110
+3/4 Full Scale	1110000000
+1/2 Full Scale	1100000000
+1/4 Full Scale	1010000000
+1LSB	1000000001
Bipolar Zero (IN +1.5V)	1000000000
-1LSB	0111111111
-1/4 Full Scale	0110000000
-1/2 Full Scale	0100000000
-3/4 Full Scale	0010000000
-FS +1LSB	0000000001
-FS (IN = +1V)	0000000000

TABLE I. Coding Table for the ADS901.

## PRECISE REFERENCE SOLUTION

For those applications requiring a higher level of dc accuracy and drift, a reference circuit with a precision reference element might be used (see Figure 6). A stable +1.2V reference voltage is established by a two terminal bandgap reference diode, the REF1004-1.2. Using a general-purpose single-supply dual operational amplifier (A1), like an OPA2237, OPA2234 or OPA2343, the two required reference voltages for the ADS901 can be generated by setting each op amp to the appropriate gain; for example: set REFT to +2V and REFB to +1V.

## CLOCK INPUT

The clock input of the ADS901 is designed to accommodate either +5V or +3V CMOS logic levels. To drive the clock input with a minimum amount of duty cycle variation and support maximum sampling rates (20Msps), high speed or advanced CMOS logic should be used (HC/HCT, AC/ACT). When digitizing at high sampling rates, a 50% duty cycle clock with fast rise and fall times (2ns or less) are recommended to meet the rated performance specifications. However, the ADS901 performance is tolerant to duty cycle variations of as much as  $\pm 10\%$  without degradation. For applications operating with input frequencies up to Nyquist or undersampling applications, special consideration must be made to provide a clock with very low jitter. Clock jitter leads to aperture jitter ( $t_A$ ) which can be the ultimate limitation to achieving good SNR performance. Equation (5) shows the relationship between aperture jitter, input frequency and the signal-to-noise ratio:

$$\text{SNR} = 20 \log_{10} [1/(2 \pi f_{IN} t_A)] \quad (5)$$

For example, with a 10MHz full-scale input signal and an aperture jitter of  $t_A = 20\text{ps}$ , the SNR is clock jitter limited to 58dB.

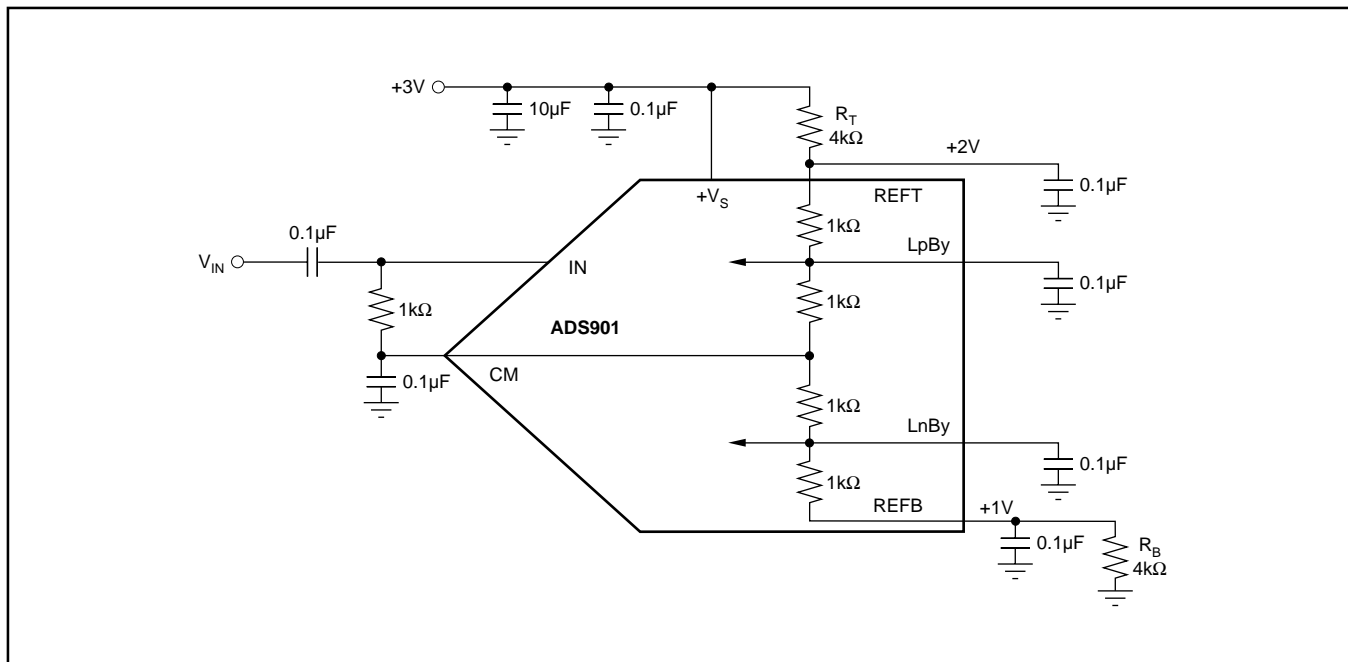


FIGURE 5. Low Cost Solution to Supply External Reference Voltages and Recommended Reference Bypassing.

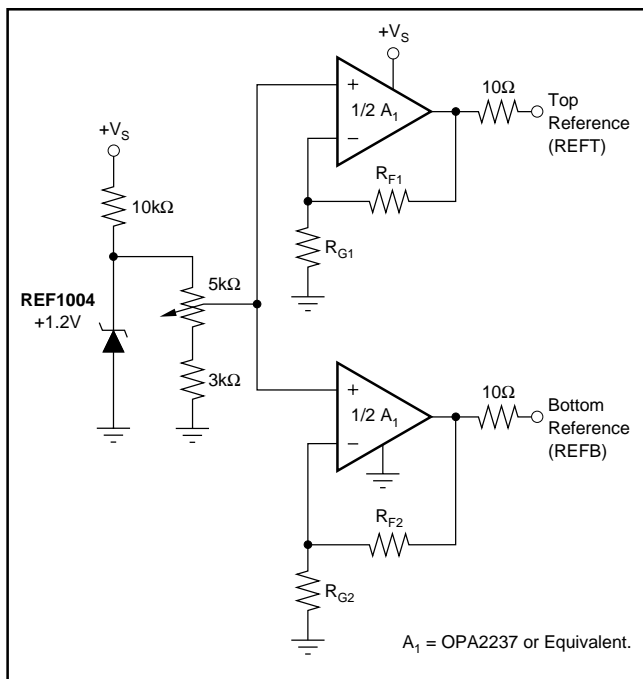


FIGURE 6. Precise Solution to Supply External Reference Voltages.

## DIGITAL OUTPUTS

There is a 5.0 clock cycle data latency from the start convert signal to the valid output data. The standard output coding is Straight Offset Binary where a full scale input signal corresponds to all “1”s at the output. The digital outputs of the ADS901 can be set to a high impedance state by driving the three-state (pin 16) with a logic “HI”. Normal operation is achieved with pin 16 “LO” or Floating due to internal pull-down resistors. This function is provided for testability purposes but is not recommended to be used dynamically.

The digital outputs of the ADS901 are standard CMOS stages and designed to be compatible to both high speed TTL and CMOS logic families. The logic thresholds are for low-voltage CMOS:  $V_{OL} = 0.4V$ ,  $V_{OH} = 2.4V$ , which allows the ADS901 to directly interface to 3V-logic. The digital outputs of the ADS901 use a dedicated digital supply pin (pin 2,  $LV_{DD}$ ). By adjusting the voltage on  $LV_{DD}$ , the digital output levels will vary respectively. In any case, it is recommended to limit the fan-out to one, to keep the capacitive loading on the data lines below the specified 15pF. If necessary, external buffers or latches may be used to provide the added benefit of isolating the A/D converter from any digital activities on the bus coupling back high frequency noise and degrading the performance.

## POWER-DOWN MODE

The ADS901’s low power consumption can be further reduced by initiating a power down mode. For this, the PwrDn-Pin (Pin 17) must be tied to a logic “High” reducing the current drawn from the supply by approximately 70%. In normal operation the power-down mode is disabled by an internal pull-down resistor (50kΩ).

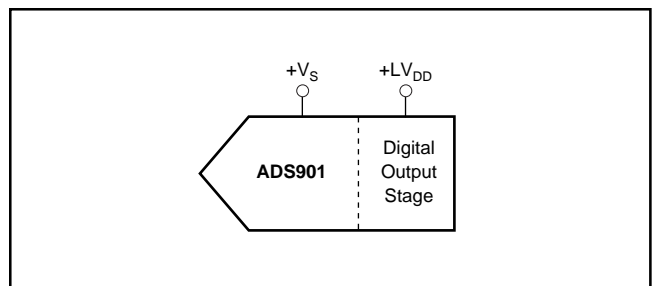


FIGURE 7. Independent Supply Connection for Output Stage.

During power-down the digital outputs are set in 3-state. With the clock applied, the converter does not accurately process the sampled signal. After removing the power-down condition the output data from the following 5 clock cycles is invalid (data latency).

## DECOUPLING AND GROUNDING CONSIDERATIONS

The ADS901 converter have several supply pins, one of which is dedicated to supply only the output driver. The remaining supply pins are not, as is often the case, divided into analog and digital supply pins since they are internally connected on the chip. For this reason it is recommended to treat the converter as an analog component and to power it from the analog supply only. Digital supply lines often carry high levels of noise which can couple back into the converter and limit the achievable performance.

Because of the pipeline architecture, the converter also generates high frequency transients and noise that are fed back into the supply and reference lines. This requires that the supply and reference pins be sufficiently bypassed. Figure 8 shows the recommended decoupling scheme for the analog supplies. In most cases 0.1μF ceramic chip capacitors are adequate to keep the impedance low over a wide frequency range. Their effectiveness largely depends on the proximity to the individual supply pin. Therefore they should be located as close to the supply pins as possible.

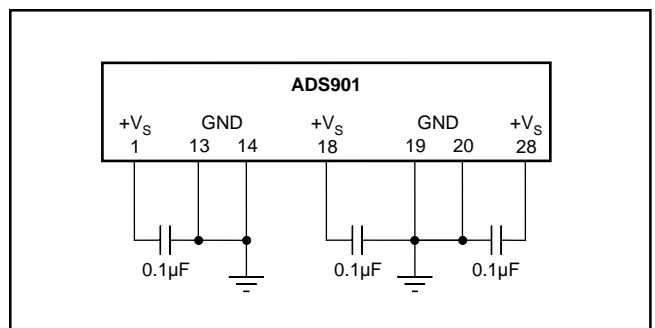


FIGURE 8. Recommended Bypassing for Analog Supply Pins.

**PACKAGING INFORMATION**

Orderable Device	Status <sup>(1)</sup>	Package Type	Package Drawing	Pins	Package Qty	Eco Plan <sup>(2)</sup>	Lead/Ball Finish	MSL Peak Temp <sup>(3)</sup>
ADS901E	ACTIVE	SSOP	DB	28	50	Green (RoHS & no Sb/Br)	CU NIPDAU	Level-1-260C-UNLIM
ADS901EG4	ACTIVE	SSOP	DB	28	50	Green (RoHS & no Sb/Br)	CU NIPDAU	Level-1-260C-UNLIM

<sup>(1)</sup> The marketing status values are defined as follows:

**ACTIVE:** Product device recommended for new designs.

**LIFEBUY:** TI has announced that the device will be discontinued, and a lifetime-buy period is in effect.

**NRND:** Not recommended for new designs. Device is in production to support existing customers, but TI does not recommend using this part in a new design.

**PREVIEW:** Device has been announced but is not in production. Samples may or may not be available.

**OBsolete:** TI has discontinued the production of the device.

<sup>(2)</sup> Eco Plan - The planned eco-friendly classification: Pb-Free (RoHS), Pb-Free (RoHS Exempt), or Green (RoHS & no Sb/Br) - please check <http://www.ti.com/productcontent> for the latest availability information and additional product content details.

**TBD:** The Pb-Free/Green conversion plan has not been defined.

**Pb-Free (RoHS):** TI's terms "Lead-Free" or "Pb-Free" mean semiconductor products that are compatible with the current RoHS requirements for all 6 substances, including the requirement that lead not exceed 0.1% by weight in homogeneous materials. Where designed to be soldered at high temperatures, TI Pb-Free products are suitable for use in specified lead-free processes.

**Pb-Free (RoHS Exempt):** This component has a RoHS exemption for either 1) lead-based flip-chip solder bumps used between the die and package, or 2) lead-based die adhesive used between the die and leadframe. The component is otherwise considered Pb-Free (RoHS compatible) as defined above.

**Green (RoHS & no Sb/Br):** TI defines "Green" to mean Pb-Free (RoHS compatible), and free of Bromine (Br) and Antimony (Sb) based flame retardants (Br or Sb do not exceed 0.1% by weight in homogeneous material)

<sup>(3)</sup> MSL, Peak Temp. -- The Moisture Sensitivity Level rating according to the JEDEC industry standard classifications, and peak solder temperature.

**Important Information and Disclaimer:**The information provided on this page represents TI's knowledge and belief as of the date that it is provided. TI bases its knowledge and belief on information provided by third parties, and makes no representation or warranty as to the accuracy of such information. Efforts are underway to better integrate information from third parties. TI has taken and continues to take reasonable steps to provide representative and accurate information but may not have conducted destructive testing or chemical analysis on incoming materials and chemicals. TI and TI suppliers consider certain information to be proprietary, and thus CAS numbers and other limited information may not be available for release.

In no event shall TI's liability arising out of such information exceed the total purchase price of the TI part(s) at issue in this document sold by TI to Customer on an annual basis.

## IMPORTANT NOTICE

Texas Instruments Incorporated and its subsidiaries (TI) reserve the right to make corrections, modifications, enhancements, improvements, and other changes to its products and services at any time and to discontinue any product or service without notice. Customers should obtain the latest relevant information before placing orders and should verify that such information is current and complete. All products are sold subject to TI's terms and conditions of sale supplied at the time of order acknowledgment.

TI warrants performance of its hardware products to the specifications applicable at the time of sale in accordance with TI's standard warranty. Testing and other quality control techniques are used to the extent TI deems necessary to support this warranty. Except where mandated by government requirements, testing of all parameters of each product is not necessarily performed.

TI assumes no liability for applications assistance or customer product design. Customers are responsible for their products and applications using TI components. To minimize the risks associated with customer products and applications, customers should provide adequate design and operating safeguards.

TI does not warrant or represent that any license, either express or implied, is granted under any TI patent right, copyright, mask work right, or other TI intellectual property right relating to any combination, machine, or process in which TI products or services are used. Information published by TI regarding third-party products or services does not constitute a license from TI to use such products or services or a warranty or endorsement thereof. Use of such information may require a license from a third party under the patents or other intellectual property of the third party, or a license from TI under the patents or other intellectual property of TI.

Reproduction of TI information in TI data books or data sheets is permissible only if reproduction is without alteration and is accompanied by all associated warranties, conditions, limitations, and notices. Reproduction of this information with alteration is an unfair and deceptive business practice. TI is not responsible or liable for such altered documentation. Information of third parties may be subject to additional restrictions.

Resale of TI products or services with statements different from or beyond the parameters stated by TI for that product or service voids all express and any implied warranties for the associated TI product or service and is an unfair and deceptive business practice. TI is not responsible or liable for any such statements.

TI products are not authorized for use in safety-critical applications (such as life support) where a failure of the TI product would reasonably be expected to cause severe personal injury or death, unless officers of the parties have executed an agreement specifically governing such use. Buyers represent that they have all necessary expertise in the safety and regulatory ramifications of their applications, and acknowledge and agree that they are solely responsible for all legal, regulatory and safety-related requirements concerning their products and any use of TI products in such safety-critical applications, notwithstanding any applications-related information or support that may be provided by TI. Further, Buyers must fully indemnify TI and its representatives against any damages arising out of the use of TI products in such safety-critical applications.

TI products are neither designed nor intended for use in military/aerospace applications or environments unless the TI products are specifically designated by TI as military-grade or "enhanced plastic." Only products designated by TI as military-grade meet military specifications. Buyers acknowledge and agree that any such use of TI products which TI has not designated as military-grade is solely at the Buyer's risk, and that they are solely responsible for compliance with all legal and regulatory requirements in connection with such use.

TI products are neither designed nor intended for use in automotive applications or environments unless the specific TI products are designated by TI as compliant with ISO/TS 16949 requirements. Buyers acknowledge and agree that, if they use any non-designated products in automotive applications, TI will not be responsible for any failure to meet such requirements.

Following are URLs where you can obtain information on other Texas Instruments products and application solutions:

### Products

Amplifiers	<a href="http://amplifier.ti.com">amplifier.ti.com</a>
Data Converters	<a href="http://dataconverter.ti.com">dataconverter.ti.com</a>
DLP® Products	<a href="http://www.dlp.com">www.dlp.com</a>
DSP	<a href="http://dsp.ti.com">dsp.ti.com</a>
Clocks and Timers	<a href="http://www.ti.com/clocks">www.ti.com/clocks</a>
Interface	<a href="http://interface.ti.com">interface.ti.com</a>
Logic	<a href="http://logic.ti.com">logic.ti.com</a>
Power Mgmt	<a href="http://power.ti.com">power.ti.com</a>
Microcontrollers	<a href="http://microcontroller.ti.com">microcontroller.ti.com</a>
RFID	<a href="http://www.ti-rfid.com">www.ti-rfid.com</a>
RF/IF and ZigBee® Solutions	<a href="http://www.ti.com/lprf">www.ti.com/lprf</a>

### Applications

Audio	<a href="http://www.ti.com/audio">www.ti.com/audio</a>
Automotive	<a href="http://www.ti.com/automotive">www.ti.com/automotive</a>
Broadband	<a href="http://www.ti.com/broadband">www.ti.com/broadband</a>
Digital Control	<a href="http://www.ti.com/digitalcontrol">www.ti.com/digitalcontrol</a>
Medical	<a href="http://www.ti.com/medical">www.ti.com/medical</a>
Military	<a href="http://www.ti.com/military">www.ti.com/military</a>
Optical Networking	<a href="http://www.ti.com/opticalnetwork">www.ti.com/opticalnetwork</a>
Security	<a href="http://www.ti.com/security">www.ti.com/security</a>
Telephony	<a href="http://www.ti.com/telephony">www.ti.com/telephony</a>
Video & Imaging	<a href="http://www.ti.com/video">www.ti.com/video</a>
Wireless	<a href="http://www.ti.com/wireless">www.ti.com/wireless</a>

Mailing Address: Texas Instruments, Post Office Box 655303, Dallas, Texas 75265  
Copyright © 2009, Texas Instruments Incorporated