

National Semiconductor is now part of  
Texas Instruments.

Search <http://www.ti.com/> for the latest technical  
information and details on our current products and services.

# ADC161S626

## 16-Bit, 50 to 250 kSPS, Differential Input, MicroPower ADC

### General Description

The ADC161S626 is a 16-bit successive-approximation register (SAR) Analog-to-Digital converter (ADC) with a maximum sampling rate of 250 kSPS. The ADC161S626 has a minimum signal span accuracy of  $\pm 0.003\%$  over the temperature range of  $-40^{\circ}\text{C}$  to  $+85^{\circ}\text{C}$ . The converter features a differential analog input with an excellent common-mode signal rejection ratio of 85 dB, making the ADC161S626 suitable for noisy environments.

The ADC161S626 operates with a single analog supply ( $V_A$ ) and a separate digital input/output ( $V_{IO}$ ) supply.  $V_A$  can range from  $+4.5\text{V}$  to  $+5.5\text{V}$  and  $V_{IO}$  can range from  $+2.7\text{V}$  to  $+5.5\text{V}$ . This allows a system designer to maximize performance and minimize power consumption by operating the analog portion of the ADC at a  $V_A$  of  $+5\text{V}$  while interfacing with a  $+3.3\text{V}$  controller. The serial data output is binary 2's complement and is SPI™ compatible.

The performance of the ADC161S626 is guaranteed over temperature at clock rates of 1 MHz to 5 MHz and reference voltages of  $+2.5\text{V}$  to  $+5.5\text{V}$ . The ADC161S626 is available in a small 10-lead MSOP package. The high accuracy, differential input, low power consumption, and small size make the ADC161S626 ideal for direct connection to bridge sensors and transducers in battery operated systems or remote data acquisition applications.

### Applications

- Direct Sensor Interface
- I/O Modules
- Data Acquisition
- Portable Systems
- Motor Control
- Medical Instruments
- Instrumentation and Control Systems

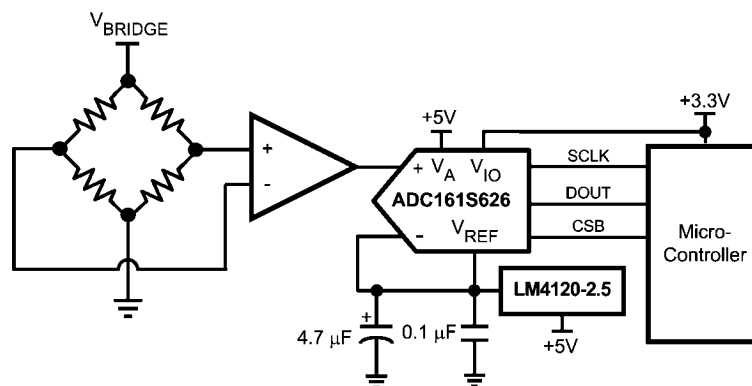
### Features

- 16-bit resolution with no missing codes
- Guaranteed performance from 50 to 250 kSPS
- $\pm 0.003\%$  signal span accuracy
- Separate Digital Input/Output Supply
- True differential input
- External voltage reference range of  $+0.5\text{V}$  to  $V_A$
- Zero-Power Track Mode with 0  $\mu\text{sec}$  wake-up delay
- Wide input common-mode voltage range of  $0\text{V}$  to  $V_A$
- SPI™/QSPI™/MICROWIRE™ compatible Serial Interface
- Operating temperature range of  $-40^{\circ}\text{C}$  to  $+85^{\circ}\text{C}$
- Small MSOP-10 package

### Key Specifications

■ Conversion Rate	50 kSPS to 250 kSPS
■ DNL	$+ 0.8 / - 0.5$ LSB
■ INL	$\pm 0.8$ LSB
■ Offset Error Temp Drift	$2.5 \mu\text{V}/^{\circ}\text{C}$
■ Gain Error Temp Drift	$0.3 \text{ ppm}/^{\circ}\text{C}$
■ SNR	$93.2 \text{ dBc}$
■ THD	$- 104 \text{ dBc}$
■ Power Consumption	
— 10 kSPS, 5V	0.24 mW
— 200 kSPS, 5V	5.3 mW
— 250 kSPS, 5V	5.8 mW
— Power-Down, 5V	10 $\mu\text{W}$

### Typical Application



30073482

TRI-STATE® is a trademark of National Semiconductor Corporation.  
 MICROWIRE™ is a trademark of National Semiconductor Corporation.  
 QSPI™ and SPI™ are trademarks of Motorola, Inc.



**Absolute Maximum Ratings** (Notes 1, 2)

If Military/Aerospace specified devices are required, please contact the National Semiconductor Sales Office/Distributors for availability and specifications.

Analog Supply Voltage $V_A$	-0.3V to 6.5V
Digital I/O Supply Voltage $V_{IO}$	-0.3V to 6.5V
Voltage on Any Analog Input Pin to GND	-0.3V to ( $V_A + 0.3V$ )
Voltage on Any Digital Input Pin to GND	-0.3V to ( $V_{IO} + 0.3V$ )
Input Current at Any Pin (Note 3)	$\pm 10$ mA
Package Input Current (Note 3)	$\pm 50$ mA
Power Consumption at $T_A = 25^\circ\text{C}$	See (Note 4)
ESD Susceptibility (Note 5)	
Human Body Model	2500V
Machine Model	250V
Charge Device Model	1250V
Junction Temperature	$+150^\circ\text{C}$
Storage Temperature	$-65^\circ\text{C}$ to $+150^\circ\text{C}$

**Operating Ratings** (Notes 1, 2)

Operating Temperature Range	$-40^\circ\text{C} \leq T_A \leq +85^\circ\text{C}$
Supply Voltage, $V_A$	+4.5V to +5.5V
Supply Voltage, $V_{IO}$	+2.7V to +5.5V
Reference Voltage, $V_{REF}$	+0.5V to $V_A$
Analog Input Pins Voltage Range	0V to $V_A$
Differential Analog Input Voltage	$-V_{REF}$ to $+V_{REF}$
Input Common-Mode Voltage, $V_{CM}$	See Figure 10 (Sect 2.3)
Digital Input Pins Voltage Range	0V to $V_{IO}$
Clock Frequency	1 MHz to 5 MHz

**Package Thermal Resistance**

Package	$\theta_{JA}$
10-lead MSOP	$240^\circ\text{C} / \text{W}$

Soldering process must comply with National Semiconductor's Reflow Temperature Profile specifications. Refer to [www.national.com/packaging](http://www.national.com/packaging). (Note 6)

**ADC161S626 Converter Electrical Characteristics** (Note 7)

The following specifications apply for  $V_A = 4.5V$  to  $5.5V$ ,  $V_{IO} = 2.7V$  to  $5.5V$ , and  $V_{REF} = 2.5V$  to  $5.5V$  for  $f_{SCLK} = 1$  MHz to 4 MHz or  $V_{REF} = 4.5V$  to  $5.5V$  for  $f_{SCLK} = 1$  MHz to 5 MHz;  $f_{IN} = 20$  kHz, and  $C_L = 25$  pF, unless otherwise noted. Maximum and minimum values apply for  $T_A = T_{MIN}$  to  $T_{MAX}$ ; the typical values are tested at  $T_A = 25^\circ\text{C}$ .

Symbol	Parameter	Conditions	Min	Typ	Max	Units
<b>STATIC CONVERTER CHARACTERISTICS</b>						
	Resolution with No Missing Codes				16	Bits
DNL	Differential Non-Linearity		-1	-0.5/+0.8	+2	LSB
INL	Integral Non-Linearity		-2	$\pm 0.8$	+2	LSB
OE	Offset Error	$V_{REF} = 2.5V$	-1	-0.1	+1	mV
		$V_{REF} = 5V$		-0.4		mV
OE <sub>DRIFT</sub>	Offset Error Temperature Drift	$V_{REF} = 2.5V$		3.7		$\mu\text{V}/^\circ\text{C}$
		$V_{REF} = 5V$		2.5		$\mu\text{V}/^\circ\text{C}$
FSE	Positive Full-Scale Error			-0.003	$\pm 0.03$	%FS
	Negative Full-Scale Error			-0.002	$\pm 0.03$	%FS
GE	Positive Gain Error			-0.002	$\pm 0.02$	%FS
	Negative Gain Error			-0.0001	$\pm 0.02$	%FS
GE <sub>DRIFT</sub>	Gain Error Temperature Drift			0.3		$\text{ppm}/^\circ\text{C}$
<b>DYNAMIC CONVERTER CHARACTERISTICS</b>						
SINAD	Signal-to-Noise Plus Distortion Ratio	$V_{REF} = 2.5V$	85	88		dBc
		$V_{REF} = 4.5V$ to $5.5V$	89	93.0		dBc
SNR	Signal-to-Noise Ratio	$V_{REF} = 2.5V$	85	88		dBc
		$V_{REF} = 4.5V$ to $5.5V$	89	93.2		dBc
THD	Total Harmonic Distortion	$V_{REF} = 2.5V$		-104		dBc
		$V_{REF} = 4.5V$ to $5.5V$		-106		dBc
SFDR	Spurious-Free Dynamic Range	$V_{REF} = 2.5V$		108		dBc
		$V_{REF} = 4.5V$ to $5.5V$		111		dBc
ENOB	Effective Number of Bits	$V_{REF} = 2.5V$	13.8	14.3		bits
		$V_{REF} = 4.5V$ to $5.5V$	14.5	15.2		bits
FPBW	-3 dB Full Power Bandwidth	Output at 70.7%FS with FS Differential Input		26		MHz

Symbol	Parameter	Conditions	Min	Typ	Max	Units
<b>ANALOG INPUT CHARACTERISTICS</b>						
$V_{IN}$	Differential Input Range		$-V_{REF}$		$+V_{REF}$	V
$I_{INA}$	Analog Input Current	$\overline{CS}$ high			$\pm 1$	$\mu A$
		$V_{REF} = 5V, V_{IN} = 0V, f_S = 50 \text{ kSPS}$		3.2		nA
		$V_{REF} = 5V, V_{IN} = 0V, f_S = 200 \text{ kSPS}$		10.3		nA
$C_{INA}$	Input Capacitance (+IN or -IN)	In Acquisition Mode		20		pF
		In Conversion Mode		4		pF
CMRR	Common Mode Rejection Ratio	See the Specification Definitions for the test condition		85		dB
<b>DIGITAL INPUT CHARACTERISTICS</b>						
$V_{IH}$	Input High Voltage	$f_{IN} = 0 \text{ Hz}$	$0.7 \times V_{IO}$	1.9		V
$V_{IL}$	Input Low Voltage	$f_{IN} = 0 \text{ Hz}$		1.7	$0.3 \times V_{IO}$	V
$I_{IND}$	Digital Input Current				$\pm 1$	$\mu A$
$C_{IND}$	Input Capacitance				4	pF
<b>DIGITAL OUTPUT CHARACTERISTICS</b>						
$V_{OH}$	Output High Voltage	$I_{SOURCE} = 200 \mu A$	$V_{IO} - 0.2$	$V_{IO} - 0.03$		V
		$I_{SOURCE} = 1 \text{ mA}$		$V_{IO} - 0.09$		V
$V_{OL}$	Output Low Voltage	$I_{SOURCE} = 200 \mu A$		0.01	0.4	V
		$I_{SOURCE} = 1 \text{ mA}$		0.07		V
$I_{OZH}, I_{OZL}$	TRI-STATE Leakage Current	Force 0V or $V_A$			$\pm 1$	$\mu A$
$C_{OUT}$	TRI-STATE Output Capacitance	Force 0V or $V_A$		4		pF
	Output Coding			Binary 2'S Complement		
<b>POWER SUPPLY CHARACTERISTICS</b>						
$V_A$	Analog Supply Voltage Range		4.5	5	5.5	V
$V_{IO}$	Digital Input/Output Supply Voltage Range	(Note 9)	2.7	3	5.5	V
$V_{REF}$	Reference Voltage Range		0.5	5	$V_A$	V
$I_{VA} \text{ (Conv)}$	Analog Supply Current, Conversion Mode	$V_A = 5V, f_{SCLK} = 4 \text{ MHz}, f_S = 200 \text{ kSPS}$		1060		$\mu A$
		$V_A = 5V, f_{SCLK} = 5 \text{ MHz}, f_S = 250 \text{ kSPS}$		1160	1340	$\mu A$
$I_{VIO} \text{ (Conv)}$	Digital I/O Supply Current, Conversion Mode	$V_{IO} = 3V, f_{SCLK} = 4 \text{ MHz}, f_S = 200 \text{ kSPS}$		80		$\mu A$
		$V_{IO} = 3V, f_{SCLK} = 5 \text{ MHz}, f_S = 250 \text{ kSPS}$		100		$\mu A$
$I_{VREF} \text{ (Conv)}$	Reference Current, Conversion Mode	$V_A = 5V, f_{SCLK} = 4 \text{ MHz}, f_S = 200 \text{ kSPS}$		80		$\mu A$
		$V_A = 5V, f_{SCLK} = 5 \text{ MHz}, f_S = 250 \text{ kSPS}$		100	170	$\mu A$
$I_{VA} \text{ (PD)}$	Analog Supply Current, Power Down Mode ( $\overline{CS}$ high)	$f_{SCLK} = 5 \text{ MHz}, V_A = 5V$		7		$\mu A$
		$f_{SCLK} = 0 \text{ Hz}, V_A = 5V \text{ (Note 8)}$		2	3	$\mu A$
$I_{VIO} \text{ (PD)}$	Digital I/O Supply Current, Power Down Mode ( $\overline{CS}$ high)	$f_{SCLK} = 5 \text{ MHz}, V_{IO} = 3V$		1		$\mu A$
		$f_{SCLK} = 0 \text{ Hz}, V_{IO} = 3V \text{ (Note 8)}$		0.3	0.5	$\mu A$
$I_{VREF} \text{ (PD)}$	Reference Current, Power Down Mode ( $\overline{CS}$ high)	$f_{SCLK} = 5 \text{ MHz}, V_{REF} = 5V$		0.5		$\mu A$
		$f_{SCLK} = 0 \text{ Hz}, V_{REF} = 5V \text{ (Note 8)}$		0.5	0.7	$\mu A$
PWR (Conv)	Power Consumption, Conversion Mode	$V_A = 5V, f_{SCLK} = 4 \text{ MHz}, f_S = 200 \text{ kSPS}, \text{ and } f_{IN} = 20 \text{ kHz},$		5.3		mW
		$V_A = 5V, f_{SCLK} = 5 \text{ MHz}, f_S = 250 \text{ kSPS}, \text{ and } f_{IN} = 20$		5.8	6.7	mW

Symbol	Parameter	Conditions	Min	Typ	Max	Units
PWR (PD)	Power Consumption, Power Down Mode ( $\overline{CS}$ high)	$f_{SCLK} = 5 \text{ MHz}$ , $V_A = 5.0\text{V}$ (Note 8)		35		$\mu\text{W}$
		$f_{SCLK} = 0 \text{ Hz}$ , $V_A = 5.0\text{V}$ (Note 8)		10	15	$\mu\text{W}$
PSRR	Power Supply Rejection Ratio	See the Specification Definitions for the test condition		-78		dB

**AC ELECTRICAL CHARACTERISTICS**

Symbol	Parameter	Conditions	Min	Typ	Max	Units
$f_{SCLK}$	Maximum Clock Frequency		1		5	MHz
$f_S$	Maximum Sample Rate	(Note 10)	50		250	kSPS
$t_{ACQ}$	Acquisition/Track Time		600			ns
$t_{CONV}$	Conversion/Hold Time				17	SCLK cycles
$t_{AD}$	Aperture Delay	See the Specification Definitions		6		ns

**ADC161S626 Timing Specifications** (Note 7)

The following specifications apply for  $V_A = 4.5\text{V}$  to  $5.5\text{V}$ ,  $V_{IO} = 2.7\text{V}$  to  $5.5\text{V}$ ,  $V_{REF} = 2.5\text{V}$  to  $5.5\text{V}$ ,  $f_{SCLK} = 1\text{Mz}$  to  $5\text{MHz}$ , and  $C_L = 25 \text{ pF}$ , unless otherwise noted. Maximum and minimum values apply for  $T_A = T_{MIN}$  to  $T_{MAX}$ ; the typical values are tested at  $T_A = 25^\circ\text{C}$ .

Symbol	Parameter	Min	Typ	Max	Units
$t_{CSS}$	$\overline{CS}$ Setup Time prior to an SCLK rising edge	8	3		ns
$t_{CSH}$	$\overline{CS}$ Hold Time after an SCLK rising edge	8	3		
$t_{DH}$	$D_{OUT}$ Hold Time after an SCLK falling edge	6	11		ns
$t_{DA}$	$D_{OUT}$ Access Time after an SCLK falling edge		18	41	ns
$t_{DIS}$	$D_{OUT}$ Disable Time after the rising edge of $\overline{CS}$ (Note 11)		20	30	ns
$t_{CS}$	Minimum $\overline{CS}$ Pulse Width	20			ns
$t_{EN}$	$D_{OUT}$ Enable Time after the 2nd falling edge of SCLK		20	70	ns
$t_{CH}$	SCLK High Time	20			ns
$t_{CL}$	SCLK Low Time	20			ns
$t_r$	$D_{OUT}$ Rise Time		7		ns
$t_f$	$D_{OUT}$ Fall Time		7		ns

**Note 1:** Absolute Maximum Ratings indicate limits beyond which damage to the device may occur. Operating Ratings indicate conditions for which the device is functional, but do not guarantee specific performance limits. For guaranteed specifications and test conditions, see the Electrical Characteristics. The guaranteed specifications apply only for the test conditions listed. Some performance characteristics may degrade when the device is not operated under the listed test conditions. Operation of the device beyond the maximum Operating Ratings is not recommended.

**Note 2:** All voltages are measured with respect to GND = 0V, unless otherwise specified.

**Note 3:** When the input voltage at any pin exceeds the power supplies (that is,  $V_{IN} < \text{GND}$  or  $V_{IN} > V_A$ ), the current at that pin should be limited to 10 mA. The 50 mA maximum package input current rating limits the number of pins that can safely exceed the power supplies with an input current of 10 mA to five.

**Note 4:** The absolute maximum junction temperature ( $T_{J,max}$ ) for this device is  $150^\circ\text{C}$ . The maximum allowable power dissipation is dictated by  $T_{J,max}$ , the junction-to-ambient thermal resistance ( $\theta_{JA}$ ), and the ambient temperature ( $T_A$ ), and can be calculated using the formula  $P_{D,MAX} = (T_{J,max} - T_A)/\theta_{JA}$ . The values for maximum power dissipation listed above will be reached only when the ADC161S626 is operated in a severe fault condition (e.g. when input or output pins are driven beyond the power supply voltages, or the power supply polarity is reversed). Such conditions should always be avoided.

**Note 5:** Human body model is a 100 pF capacitor discharged through a 1.5 k $\Omega$  resistor. Machine model is a 220 pF capacitor discharged through 0  $\Omega$ . Charge device model simulates a pin slowly acquiring charge (such as from a device sliding down the feeder in an automated assembler) then rapidly being discharged.

**Note 6:** Reflow temperature profiles are different for lead-free packages.

**Note 7:** Typical values are at  $T_J = 25^\circ\text{C}$  and represent most likely parametric norms. Test limits are guaranteed to National's AOQL (Average Outgoing Quality Level).

**Note 8:** This parameter is guaranteed by design and/or characterization and is not tested in production.

**Note 9:** The value of  $V_{IO}$  is independent of the value of  $V_A$ . For example,  $V_{IO}$  could be operating at 5.5V while  $V_A$  is operating at 4.5V or  $V_{IO}$  could be operating at 2.7V while  $V_A$  is operating at 5.5V.

**Note 10:** While the maximum sample rate is  $f_{SCLK} / 20$ , the actual sample rate may be lower than this by having the  $\overline{CS}$  rate slower than  $f_{SCLK} / 20$ .

**Note 11:**  $t_{DIS}$  is the time for  $D_{OUT}$  to change 10% while being loaded by the Timing Test Circuit.

# Timing Diagrams

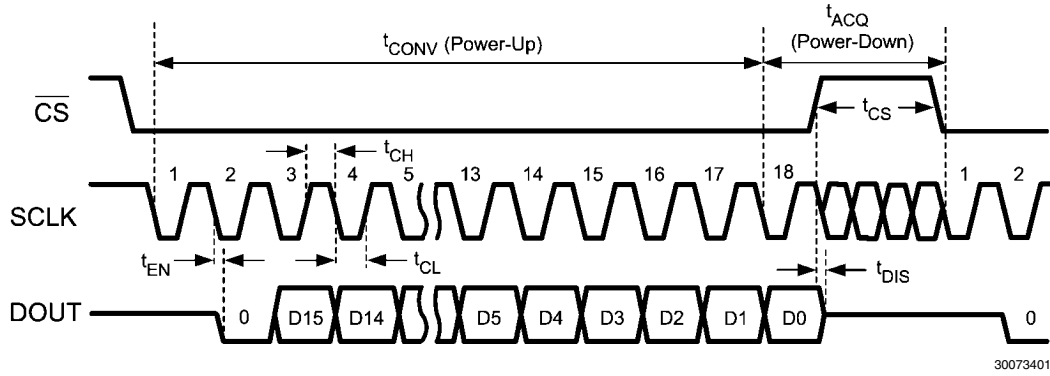


FIGURE 1. ADC161S626 Single Conversion Timing Diagram

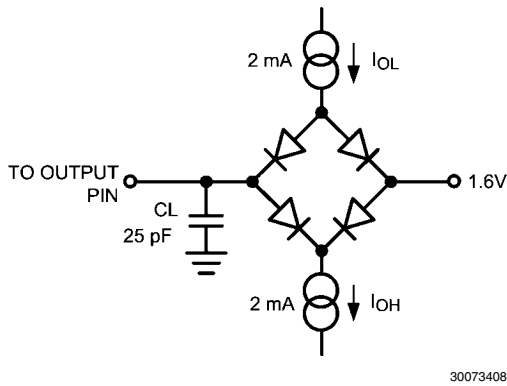


FIGURE 2. Timing Test Circuit

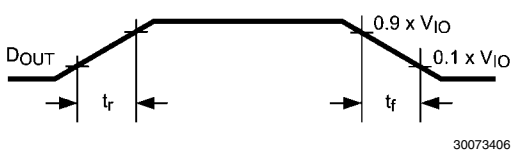


FIGURE 3. D<sub>OUT</sub> Rise and Fall Times

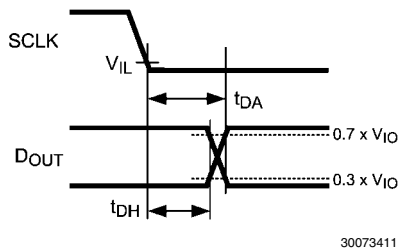


FIGURE 4. D<sub>OUT</sub> Hold and Access Times

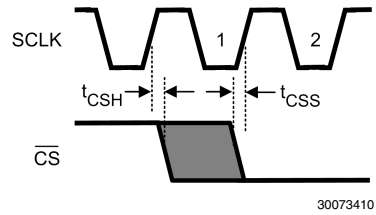


FIGURE 5. Valid  $\overline{CS}$  Assertion Times

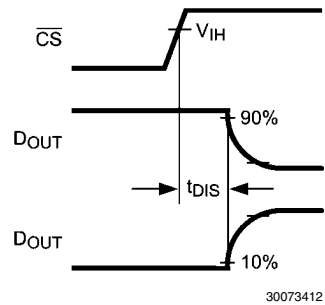


FIGURE 6. Voltage Waveform for  $t_{DIS}$

## Specification Definitions

**APERTURE DELAY** is the time between the first falling edge of SCLK and the time when the input signal is sampled for conversion.

**COMMON MODE REJECTION RATIO (CMRR)** is a measure of how well in-phase signals common to both input pins are rejected.

To calculate CMRR, the change in output offset is measured while the common mode input voltage is changed from 2V to 3V.

$$\text{CMRR} = 20 \text{ LOG} (\Delta \text{ Common Input} / \Delta \text{ Output Offset})$$

**CONVERSION TIME** is the time required, after the input voltage is acquired, for the ADC to convert the input voltage to a digital word.

**DIFFERENTIAL NON-LINEARITY (DNL)** is the measure of the maximum deviation from the ideal step size of 1 LSB.

**DUTY CYCLE** is the ratio of the time that a repetitive digital waveform is high to the total time of one period. The specification here refers to the SCLK.

**EFFECTIVE NUMBER OF BITS (ENOB, or EFFECTIVE BITS)** is another method of specifying Signal-to-Noise and Distortion or SINAD. ENOB is defined as  $(\text{SINAD} - 1.76) / 6.02$  and says that the converter is equivalent to a perfect ADC of this (ENOB) number of bits.

**FULL POWER BANDWIDTH** is a measure of the frequency at which the reconstructed output fundamental drops 3 dB below its low frequency value for a full scale input.

**GAIN ERROR** is the deviation from the ideal slope of the transfer function. It is the difference between Positive Full-Scale Error and Negative Full-Scale Error and can be calculated as:

$$\text{Gain Error} = \text{Positive Full-Scale Error} - \text{Negative Full-Scale Error}$$

**INTEGRAL NON-LINEARITY (INL)** is a measure of the deviation of each individual code from a line drawn from  $\frac{1}{2}$  LSB below the first code transition through  $\frac{1}{2}$  LSB above the last code transition. The deviation of any given code from this straight line is measured from the center of that code value.

**MISSING CODES** are those output codes that will never appear at the ADC outputs. The ADC161S626 is guaranteed not to have any missing codes.

**NEGATIVE FULL-SCALE ERROR** is the difference between the differential input voltage at which the output code transitions from code 0x8001h to 0x8000h and  $-V_{\text{REF}} + 1 \text{ LSB}$ .

**NEGATIVE GAIN ERROR** is the difference between the negative full-scale error and the offset error.

**OFFSET ERROR** is the difference between the differential input voltage at which the output code transitions from code 0x0000h to 0x0001h and 1 LSB.

**POSITIVE FULL-SCALE ERROR** is the difference between the differential input voltage at which the output code transitions from code 0xFFFFeh to 0xFFFFh and  $V_{\text{REF}} - 1 \text{ LSB}$ .

**POSITIVE GAIN ERROR** is the difference between the positive full-scale error and the offset error.

**POWER SUPPLY REJECTION RATIO (PSRR)** is a measure of how well a change in the analog supply voltage is rejected. PSRR is calculated from the ratio of the change in offset error for a given change in supply voltage, expressed in dB. For the ADC161S626,  $V_A$  is changed from 4.5V to 5.5V.

$$\text{PSRR} = 20 \text{ LOG} (\Delta \text{Output Offset} / \Delta V_A)$$

**SIGNAL TO NOISE RATIO (SNR)** is the ratio, expressed in dB, of the rms value of the input signal to the rms value of the sum of all other spectral components below one-half the sampling frequency, not including harmonics or d.c.

**SIGNAL TO NOISE PLUS DISTORTION (S/N+D or SINAD)** is the ratio, expressed in dB, of the rms value of the input signal to the rms value of all of the other spectral components below one-half the sampling frequency, including harmonics but excluding d.c.

**SPURIOUS FREE DYNAMIC RANGE (SFDR)** is the difference, expressed in dB, between the desired signal amplitude to the amplitude of the peak spurious spectral component below one-half the sampling frequency, where a spurious spectral component is any signal present in the output spectrum that is not present at the input and may or may not be a harmonic.

**TOTAL HARMONIC DISTORTION (THD)** is the ratio of the rms total of the first five harmonic components at the output to the rms level of the input signal frequency as seen at the output, expressed in dB. THD is calculated as

$$\text{THD} = 20 \times \log_{10} \sqrt{\frac{A_{f_2}^2 + \dots + A_{f_6}^2}{A_{f_1}^2}}$$

where  $A_{f_1}$  is the RMS power of the input frequency at the output and  $A_{f_2}$  through  $A_{f_6}$  are the RMS power in the first 5 harmonic frequencies.

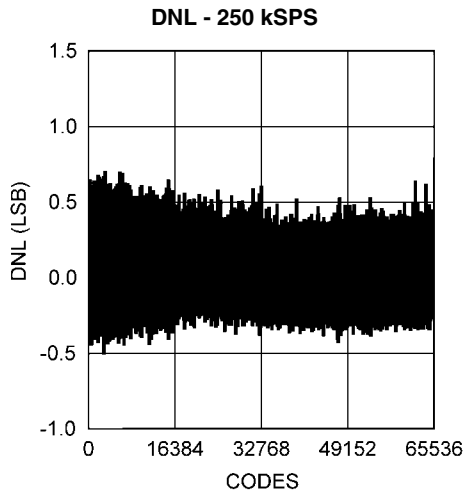
**THROUGHPUT TIME** is the minimum time required between the start of two successive conversion.



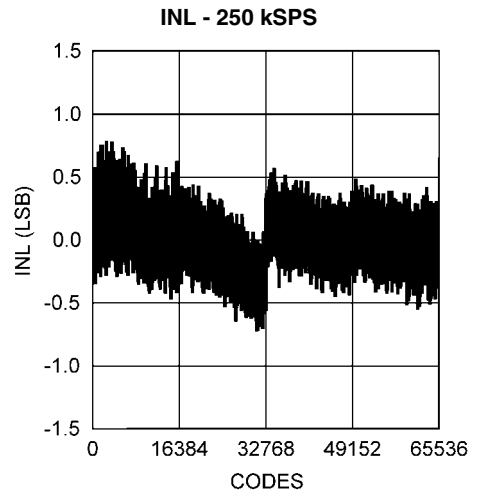
### Typical Performance Characteristics

+25°C, and  $f_{IN} = 20$  kHz unless otherwise stated.

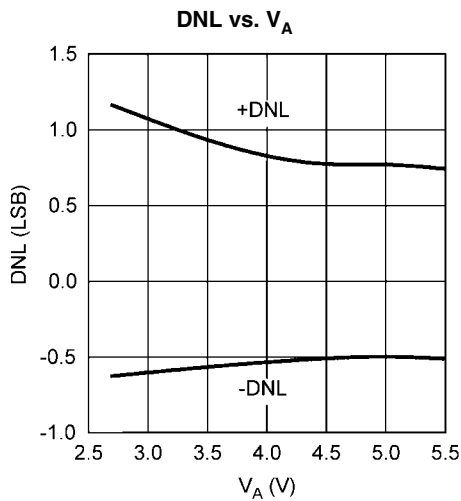
$V_A = V_{IO} = V_{REF} = +5V$ ,  $f_{SCLK} = 5$  MHz,  $f_{SAMPLE} = 250$  kSPS,  $T_A =$



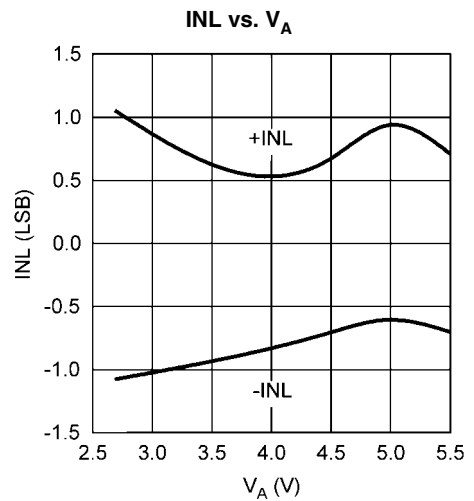
30073421



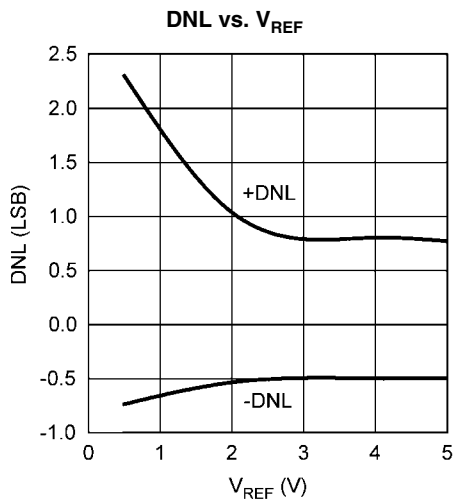
30073422



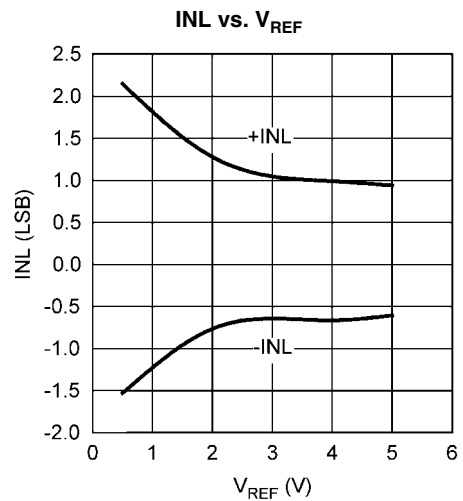
30073423



30073424



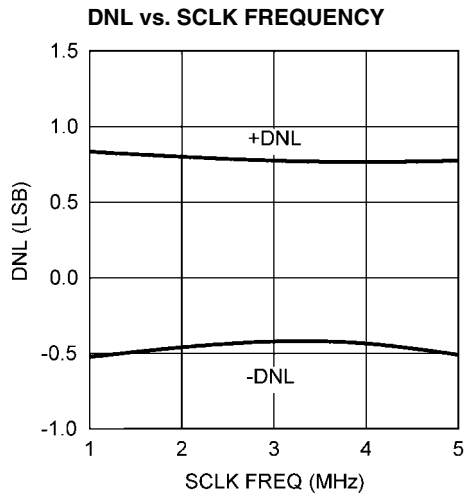
30073418



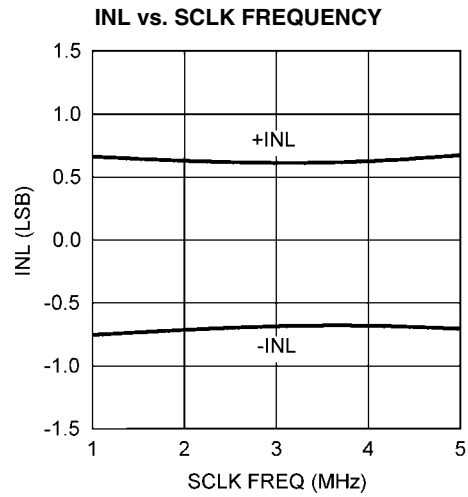
30073419

## Typical Performance Characteristics

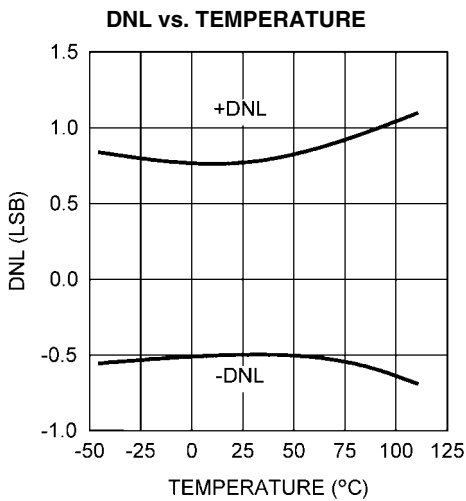
$V_A = V_{IO} = V_{REF} = +5V$ ,  $f_{SCLK} = 5\text{ MHz}$ ,  $f_{SAMPLE} = 250\text{ kSPS}$ ,  $T_A = +25^\circ\text{C}$ , and  $f_{IN} = 20\text{ kHz}$  unless otherwise stated.



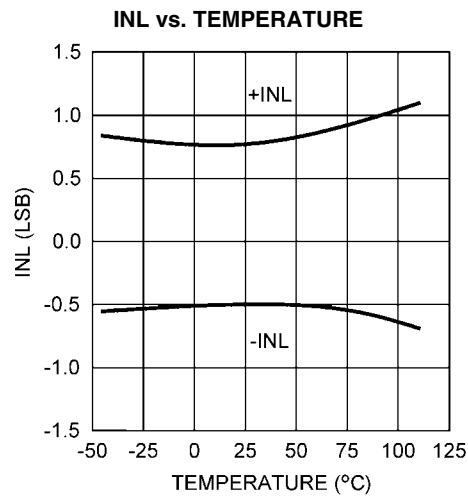
30073425



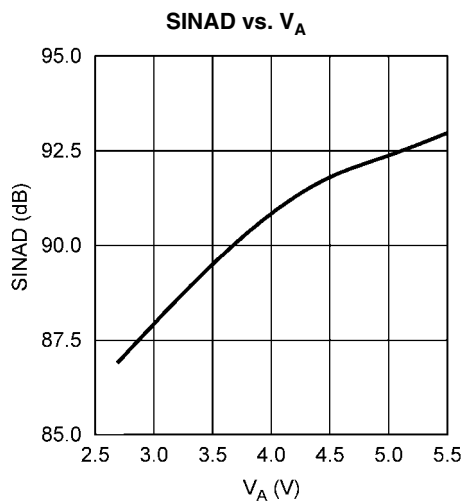
30073426



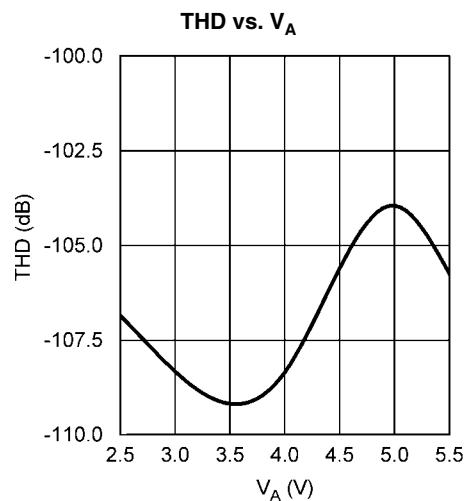
30073429



30073430



30073433

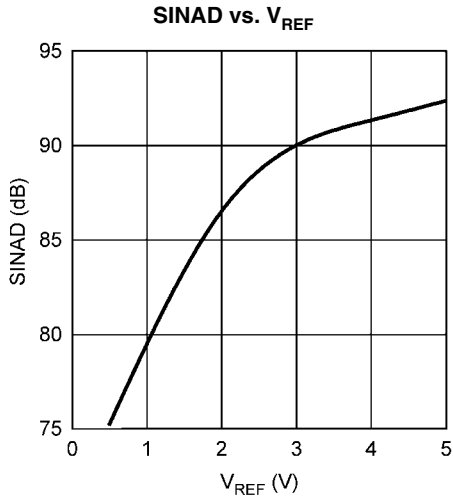


30073432

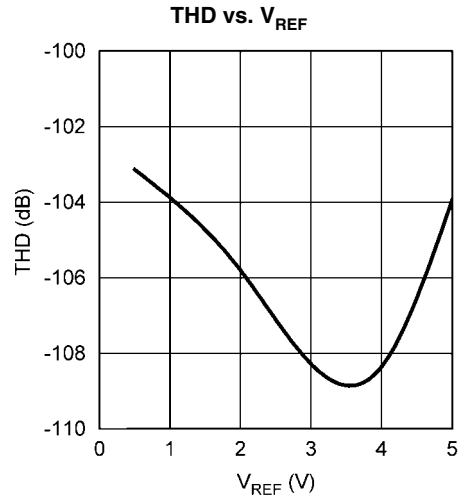
## Typical Performance Characteristics

+25°C, and  $f_{IN} = 20$  kHz unless otherwise stated.

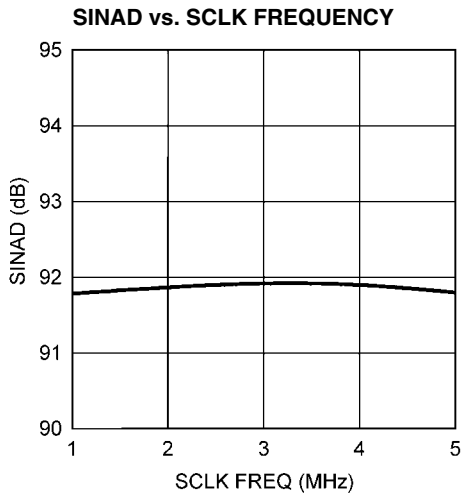
$V_A = V_{IO} = V_{REF} = +5V$ ,  $f_{SCLK} = 5$  MHz,  $f_{SAMPLE} = 250$  kSPS,  $T_A =$



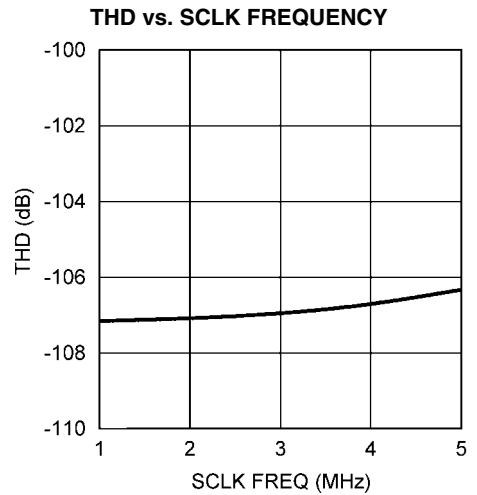
30073437



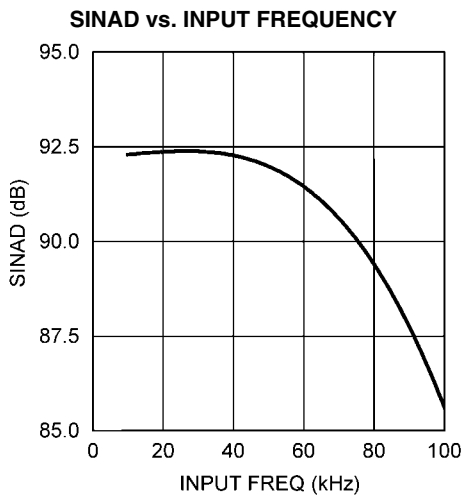
30073436



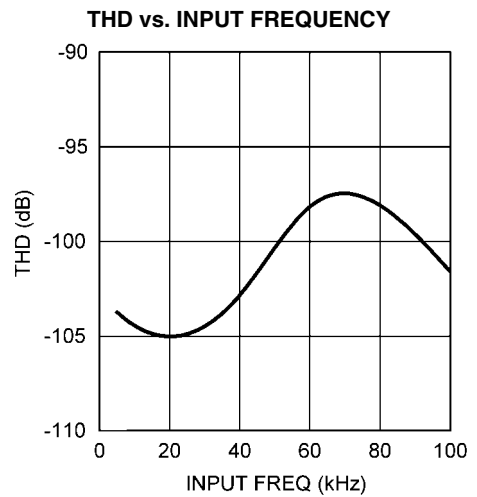
30073441



30073440



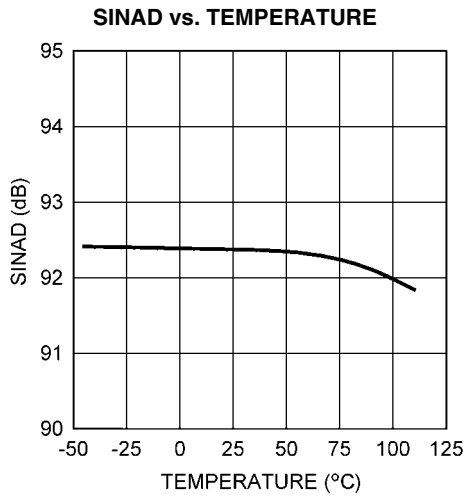
30073449



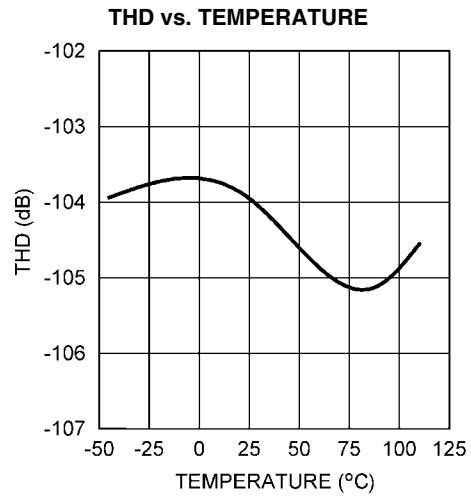
30073448

## Typical Performance Characteristics

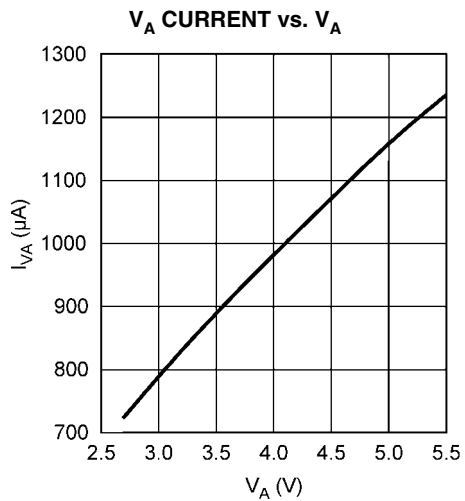
$V_A = V_{IO} = V_{REF} = +5V$ ,  $f_{SCLK} = 5\text{ MHz}$ ,  $f_{SAMPLE} = 250\text{ kSPS}$ ,  $T_A = +25^\circ\text{C}$ , and  $f_{IN} = 20\text{ kHz}$  unless otherwise stated.



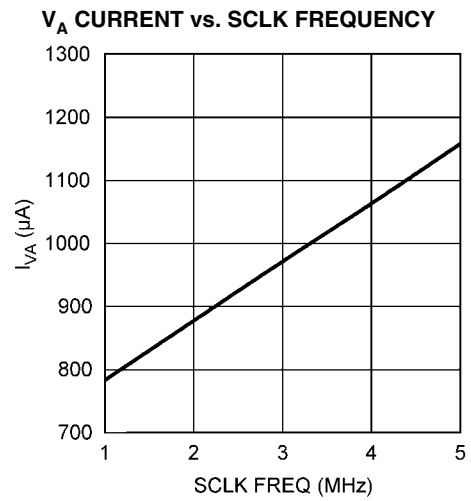
30073472



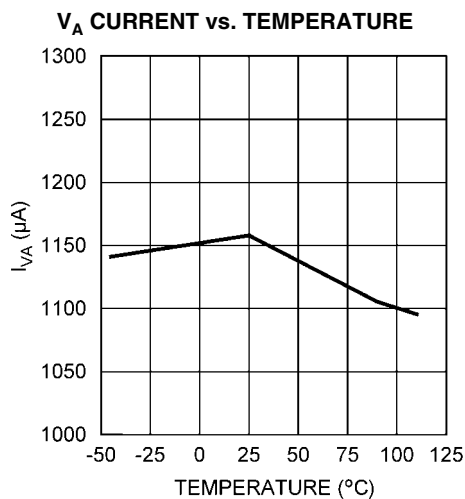
30073471



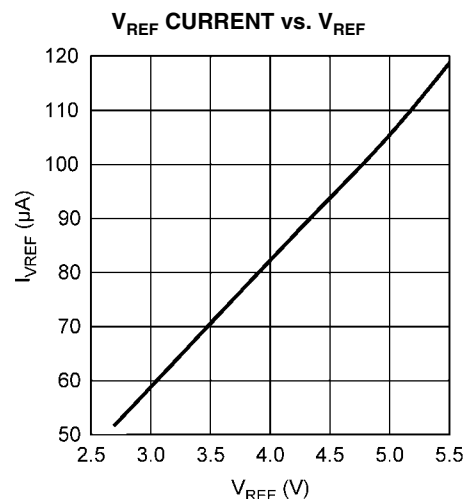
30073435



30073455



30073454

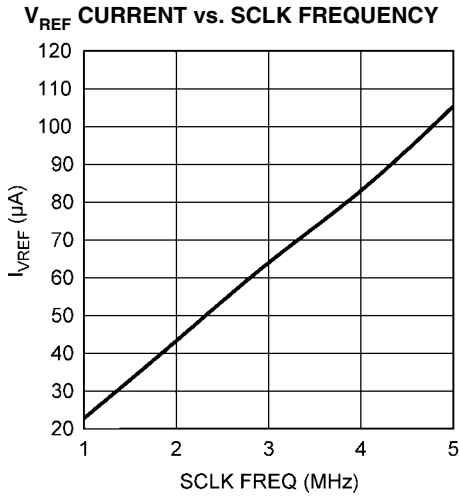


30073434

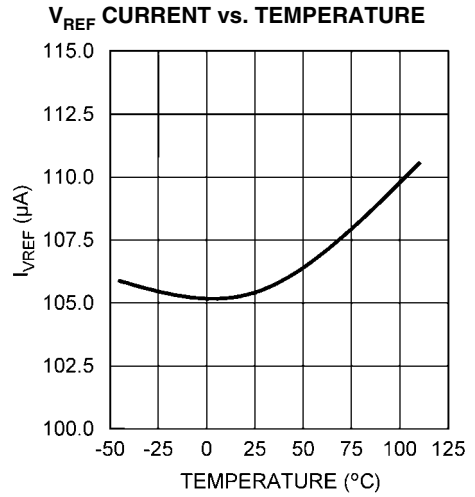
# Typical Performance Characteristics

+25°C, and  $f_{IN} = 20$  kHz unless otherwise stated.

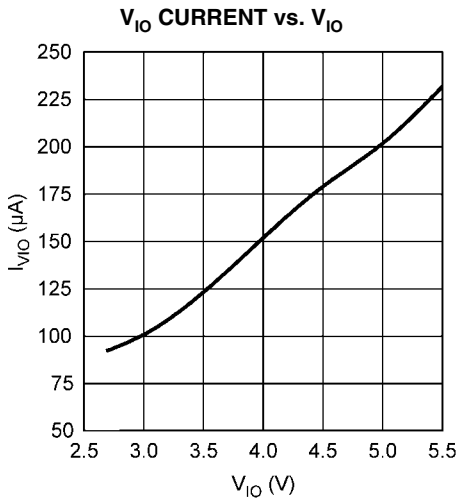
$V_A = V_{IO} = V_{REF} = +5V$ ,  $f_{SCLK} = 5$  MHz,  $f_{SAMPLE} = 250$  kSPS,  $T_A =$



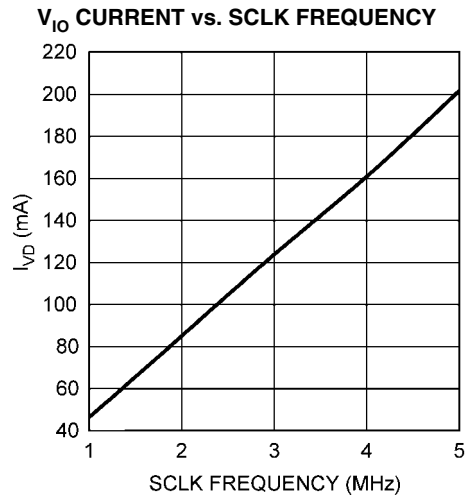
30073452



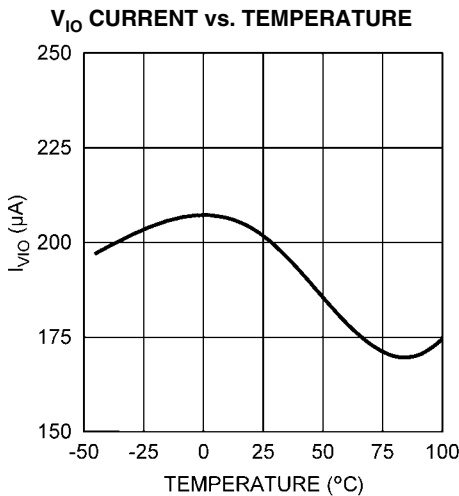
30073451



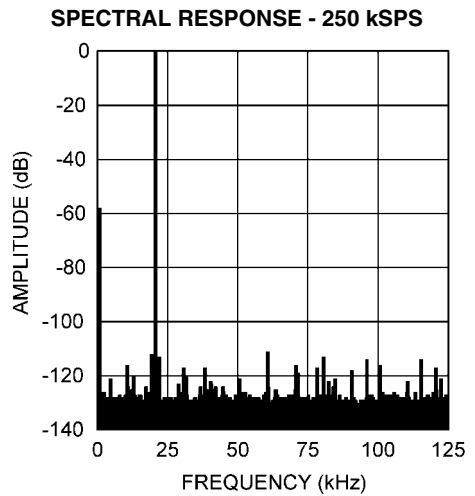
30073444



30073442



30073443



30073414

## Functional Description

The ADC161S626 is a 16-bit, 50 kSPS to 250 kSPS sampling Analog-to-Digital (A/D) converter. The converter uses a successive approximation register (SAR) architecture based upon capacitive redistribution containing an inherent sample-and-hold function. The differential nature of the analog inputs is maintained from the internal sample-and-hold circuits throughout the A/D converter to provide excellent common-mode signal rejection.

The ADC161S626 operates from independent analog and digital supplies. The analog supply ( $V_A$ ) can range from 4.5V to 5.5V and the digital input/output supply ( $V_{IO}$ ) can range from 2.7V to 5.5V. The ADC161S626 utilizes an external reference ( $V_{REF}$ ), which can be any voltage between 0.5V and  $V_A$ . The value of  $V_{REF}$  determines the range of the analog input, while the reference input current ( $I_{REF}$ ) depends upon the conversion rate.

The analog input is presented to two input pins: +IN and -IN. Upon initiation of a conversion, the differential input at these pins is sampled on the internal capacitor array. The inputs are disconnected from the internal circuitry while a conversion is in progress. The ADC161S626 features a zero-power track mode (ZPTM) where the ADC is consuming the minimum amount of power (Power-Down Mode) while the internal sampling capacitor array is tracking the applied analog input voltage. The converter enters ZPTM at the end of each conversion window and experiences no delay when the ADC enters into Conversion Mode. This feature allows the user an easy means for optimizing system performance based on the settling capability of the analog source while minimizing power consumption. ZPTM is exercised by bringing chip select bar ( $\overline{CS}$ ) high or when  $\overline{CS}$  is held low after the conversion is complete (after the 18<sup>th</sup> falling edge of the serial clock).

The ADC161S626 communicates with other devices via a Serial Peripheral Interface (SPI™), a synchronous serial interface that operates using three pins: chip select bar ( $\overline{CS}$ ), serial clock (SCLK), and serial data out ( $D_{OUT}$ ). The external SCLK controls data transfer and serves as the conversion clock. The duty cycle of SCLK is essentially unimportant, provided the minimum clock high and low times are met. The minimum SCLK frequency is set by internal capacitor leakage. Each conversion requires a minimum of 18 SCLK cycles to complete. If less than 16 bits of conversion data are required,  $\overline{CS}$  can be brought high at any point during the conversion. This procedure of terminating a conversion prior to completion is commonly referred to as short cycling.

The digital conversion result is clocked out by the SCLK input and is provided serially, most significant bit (MSB) first, at the  $D_{OUT}$  pin. The digital data that is provided at the  $D_{OUT}$  pin is that of the conversion currently in progress and thus there is no pipe line delay or latency.

### 1.0 REFERENCE INPUT ( $V_{REF}$ )

The externally supplied reference voltage ( $V_{REF}$ ) sets the analog input range. The ADC161S626 will operate with  $V_{REF}$  in the range of 0.5V to  $V_A$ .

Operation with  $V_{REF}$  below 2.5V is possible with slightly diminished performance. As  $V_{REF}$  is reduced, the range of acceptable analog input voltages is reduced. Assuming a proper common-mode input voltage ( $V_{CM}$ ), the differential

peak-to-peak input range is limited to  $(2 \times V_{REF})$ . See Section 2.3 for more details.

Reducing  $V_{REF}$  also reduces the size of the least significant bit (LSB). For example, the size of one LSB is equal to  $[(2 \times V_{REF}) / 2^n]$ , which is 152.6  $\mu$ V where  $n$  is 16 bits and  $V_{REF}$  is 5V. When the LSB size goes below the noise floor of the ADC161S626, the noise will span an increasing number of codes and overall performance will suffer. Dynamic signals will have their SNR degrade; while, D.C. measurements will have their code uncertainty increase. Since the noise is Gaussian in nature, the effects of this noise can be reduced by averaging the results of a number of consecutive conversions.

$V_{REF}$  and analog inputs (+IN and -IN) are connected to the capacitor array through a switch matrix when the input is sampled. Hence,  $I_{REF}$ ,  $I_{+IN}$ , and  $I_{-IN}$  are a series of transient spikes that occur at a frequency dependent on the operating sample rate of the ADC161S626.

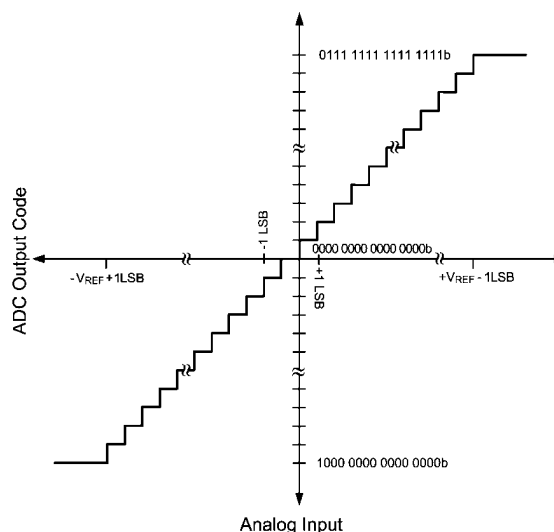
$I_{REF}$  changes only slightly with temperature. See the curves, "Reference Current vs. SCLK Frequency" and "Reference Current vs. Temperature" in the Typical Performance Curves section for additional details.

## 2.0 ANALOG SIGNAL INPUTS

The ADC161S626 has a differential input where the effective input voltage that is digitized is  $(+IN) - (-IN)$ .

### 2.1 Differential Input Operation

The transfer curve of the ADC161S626 for a fully differential input signal is shown in *Figure 7*. A positive full scale output code (0111 1111 1111 1111b or 7FFFh or 32,767d) will be obtained when  $(+IN) - (-IN)$  is greater than or equal to  $(V_{REF} - 1 \text{ LSB})$ . A negative full scale code (1000 0000 0000 0000b or 8000h or -32,768d) will be obtained when  $[(+IN) - (-IN)]$  is less than or equal to  $(-V_{REF} + 1 \text{ LSB})$ . This ignores gain, offset and linearity errors, which will affect the exact differential input voltage that will determine any given output code.



30073499

FIGURE 7. ADC Transfer Curve

Both inputs should be biased at a common mode voltage ( $V_{CM}$ ), which will be thoroughly discussed in Section 2.3. *Figure 8* shows the ADC161S626 being driven by a full-scale differential source.

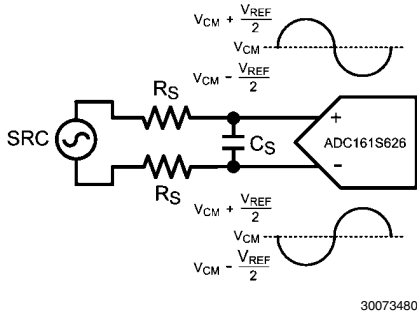


FIGURE 8. Differential Input

**2.2 Single-Ended Input Operation**

For single-ended operation, the non-inverting input (+IN) of the ADC161S626 can be driven with a signal that has a peak-to-peak range that is equal to or less than  $(2 \times V_{REF})$ . The inverting input (-IN) should be biased at a stable  $V_{CM}$  that is halfway between these maximum and minimum values. In order to utilize the entire dynamic range of the ADC161S626,  $V_{REF}$  is limited to  $(V_A / 2)$ . This allows +IN a maximum swing range of ground to  $V_A$ . *Figure 9* shows the ADC161S626 being driven by a full-scale single-ended source.

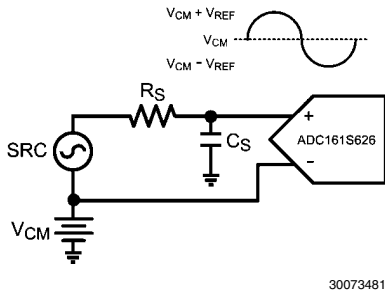


FIGURE 9. Single-Ended Input

Since the design of the ADC161S626 is optimized for a differential input, the performance degrades slightly when driven with a single-ended input. Linearity characteristics such as INL and DNL typically degrade by 0.1 LSB and dynamic characteristics such as SINAD typically degrade by 2 dB. Note that single-ended operation should only be used if the performance degradation (compared with differential operation) is acceptable.

**2.3 Input Common Mode Voltage**

The allowable input common mode voltage ( $V_{CM}$ ) range depends upon  $V_A$  and  $V_{REF}$  used for the ADC161S626. The ranges of  $V_{CM}$  are depicted in *Figure 10* and *Figure 11*. Note that these figures only apply to a  $V_A$  of 5V. Equations for calculating the minimum and maximum  $V_{CM}$  for differential and single-ended operations are shown in *Table 1*.

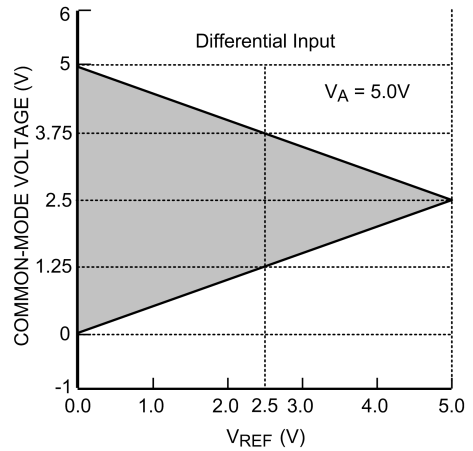


FIGURE 10.  $V_{CM}$  range for Differential Input operation

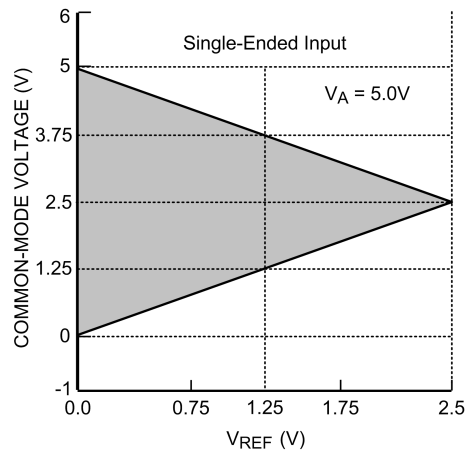


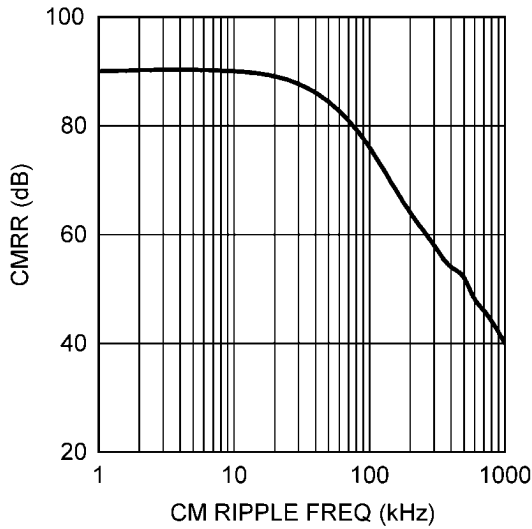
FIGURE 11.  $V_{CM}$  range for single-ended operation

TABLE 1. Allowable  $V_{CM}$  Range

Input Signal	Minimum $V_{CM}$	Maximum $V_{CM}$
Differential	$V_{REF} / 2$	$V_A - V_{REF} / 2$
Single-Ended	$V_{REF}$	$V_A - V_{REF}$

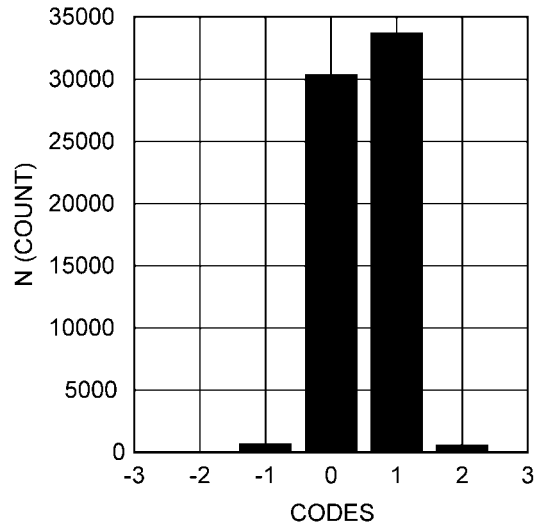
**2.4 CMRR**

By using this differential input, small signals common to both inputs are rejected. As shown in *Figure 12*, noise is immune at low frequencies where the common-mode rejection ratio (CMRR) is 90 dB. As the frequency increases to 1 MHz, the CMRR rolls off to 40 dB. In general, operation with a fully differential input signal or voltage will provide better performance than with a single-ended input. However, if desired, the ADC161S626 can be presented with a single-ended input.



30073475

FIGURE 12. Analog Input CMRR vs. Frequency



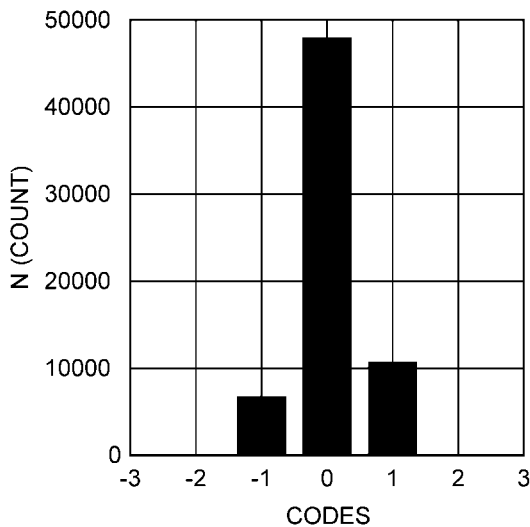
30073484

FIGURE 14. Noise Histogram at Code Transition

2.5 Noise

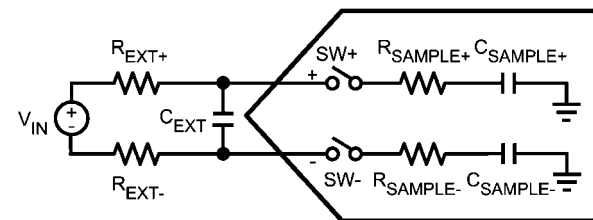
The noise floor of the ADC161S626 is very low as shown in Figure 13 and Figure 14. These figures were created by driving the ADC input with a low-noise voltage source set near 0V. For Figure 13, the input was adjusted in order to obtain the code 0x0000h. For Figure 14, the input was increased by 1/2 LSB in order to obtain the transition point between code 0x0000h and 0x0001h. In both instances, 2<sup>16</sup> (65,534) samples were collected and plotted in a histogram format.

Ideally the noise histogram at code center would show a single output code while the noise histogram at code transition would show two output codes. Any codes outside of the ideal output are a result of the internal noise of the ADC161S626 and the input source. Since the ADC161S626 has very low internal noise, only two codes outside of the center code are exhibited in the histogram of Figure 13. Similar results are shown in Figure 14.



30073483

FIGURE 13. Noise Histogram at Code Center



30073485

FIGURE 15. ADC Input Capacitors

2.6 Input Settling

When the ADC161S626 enters acquisition ( $t_{ACQ}$ ) mode at the end of the conversion window, the internal sampling capacitor ( $C_{SAMPLE}$ ) is connected to the ADC input via an internal switch and a series resistor ( $R_{SAMPLE}$ ), as shown in Figure 15. Typical values for  $C_{SAMPLE}$  and  $R_{SAMPLE}$  are 20 pF and 200 ohms respectively. If there is not a large external capacitor ( $C_{EXT}$ ) at the analog input of the ADC, a voltage spike will be observed at the input pins. This is a result of  $C_{SAMPLE}$  and  $C_{EXT}$  being at different voltage potentials. The magnitude and direction of the voltage spike depend on the difference between the voltage of  $C_{SAMPLE}$  and  $C_{EXT}$ . If the voltage at  $C_{SAMPLE}$  is greater than the voltage at  $C_{EXT}$ , a positive voltage spike will occur. If the opposite is true, a negative voltage spike will occur. It is not critical for the performance of the ADC161S626 to filter out the voltage spike. Rather, ensure that the transient of the spike settles out within  $t_{ACQ}$ ; for recommended solutions, see Section 4.0 in the Application Information.



### 3.0 SERIAL DIGITAL INTERFACE

The ADC161S626 communicates via a synchronous 3-wire serial interface as shown in *Figure 1* or re-shown in *Figure 16* for convenience.  $\overline{CS}$ , chip select bar, initiates conversions and frames the serial data transfers. SCLK (serial clock) controls both the conversion process and the timing of the serial data.  $D_{OUT}$  is the serial data output pin, where a conversion result is sent as a serial data stream, MSB first.

A serial frame is initiated on the falling edge of  $\overline{CS}$  and ends on the rising edge of  $\overline{CS}$ . The ADC161S626's  $D_{OUT}$  pin is in a high impedance state when  $\overline{CS}$  is high and for the first clock period after  $\overline{CS}$  is asserted;  $D_{OUT}$  is active for the remainder of time when  $\overline{CS}$  is asserted.

The ADC161S626 samples the differential input upon the assertion of  $\overline{CS}$ . Assertion is defined as bringing the  $\overline{CS}$  pin to a logic low state. For the first 17 periods of the SCLK following the assertion of  $\overline{CS}$ , the ADC161S626 is converting the analog input voltage. On the 18<sup>th</sup> falling edge of SCLK, the ADC161S626 enters acquisition mode ( $t_{ACQ}$ ) mode. For the next three periods of SCLK, the ADC161S626 is operating in acquisition mode where the ADC input is tracking the analog input signal applied across +IN and -IN. During acquisition mode, the ADC161S626 is consuming a minimal amount of power.

The ADC161S626 can enter conversion mode ( $t_{CONV}$ ) under three different conditions. The first condition involves  $\overline{CS}$  going low (asserted) with SCLK high. In this case, the ADC161S626 enters conversion mode on the first falling edge of SCLK after  $\overline{CS}$  is asserted. In the second condition,  $\overline{CS}$  goes low with SCLK low. Under this condition, the ADC161S626 automatically enters conversion mode and the falling edge of  $\overline{CS}$  is seen as the first falling edge of SCLK. In the third condition,  $\overline{CS}$  and SCLK go low simultaneously and the ADC161S626 enters conversion mode. While there is no timing restriction with respect to the falling edges of  $\overline{CS}$  and SCLK, there are minimum setup and hold time requirements for the falling edge of  $\overline{CS}$  with respect to the rising edge of SCLK. See *Figure 5* in the Timing Diagram section for more information.

#### 3.1 $\overline{CS}$ Input

The  $\overline{CS}$  (chip select bar) input is active low and is CMOS compatible. The ADC161S626 enters conversion mode when  $\overline{CS}$  is asserted and the SCLK pin is in a logic low state. When  $\overline{CS}$  is high, the ADC161S626 is always in acquisition mode and thus consuming the minimum amount of power. Since  $\overline{CS}$  must be asserted to begin a conversion, the sample rate of the ADC161S626 is equal to the assertion rate of  $\overline{CS}$ .

Proper operation requires that the fall of  $\overline{CS}$  not occur simultaneously with a rising edge of SCLK. If the fall of  $\overline{CS}$  occurs during the rising edge of SCLK, the data might be clocked out one bit early. Whether or not the data is clocked out early depends upon how close the  $\overline{CS}$  transition is to the SCLK transition, the device temperature, and the characteristics of the individual device. To ensure that the MSB is always clocked out at a given time (the 3<sup>rd</sup> falling edge of SCLK), it is essential that the fall of  $\overline{CS}$  always meet the timing requirement specified in the Timing Specification table.

#### 3.2 SCLK Input

The SCLK (serial clock) is used as the conversion clock to shift out the conversion result. SCLK is CMOS compatible. Internal settling time requirements limit the maximum clock frequency while internal capacitor leakage limits the minimum clock frequency. The ADC161S626 offers guaranteed performance with the clock rates indicated in the electrical table.

The ADC161S626 enters acquisition mode on the 18<sup>th</sup> falling edge of SCLK during a conversion frame. Assuming that the LSB is clocked into a controller on the 18<sup>th</sup> rising edge of SCLK, there is a minimum acquisition time period that must be met before a new conversion frame can begin. Other than the 18<sup>th</sup> rising edge of SCLK that was used to latch the LSB into a controller, there is no requirement for the SCLK to transition during acquisition mode. Therefore, it is acceptable to idle SCLK after the LSB has been latched into the controller.

#### 3.3 Data Output

The data output format of the ADC161S626 is two's complement as shown in *Figure 7*. This figure indicates the ideal output code for a given input voltage and does not include the effects of offset, gain error, linearity errors, or noise. Each data output bit is output on the falling edges of SCLK.  $D_{OUT}$  is in a high impedance state for the 1<sup>st</sup> falling edge of SCLK while the 2<sup>nd</sup> SCLK falling edge clocks out a leading zero. The 3<sup>rd</sup> to 18<sup>th</sup> SCLK falling edges clock out the conversion result, MSB first.

While most receiving systems will capture the digital output bits on the rising edges of SCLK, the falling edges of SCLK may be used to capture the conversion result if the minimum hold time for  $D_{OUT}$  is acceptable. See *Figure 4* for  $D_{OUT}$  hold ( $t_{DH}$ ) and access ( $t_{DA}$ ) times.

$D_{OUT}$  is enabled on the second falling edge of SCLK after the assertion of  $\overline{CS}$  and is disabled on the rising edge of  $\overline{CS}$ . If  $\overline{CS}$  is raised prior to the 18<sup>th</sup> falling edge of SCLK, the current conversion is aborted and  $D_{OUT}$  will go into its high impedance state. A new conversion will begin when  $\overline{CS}$  is driven LOW.

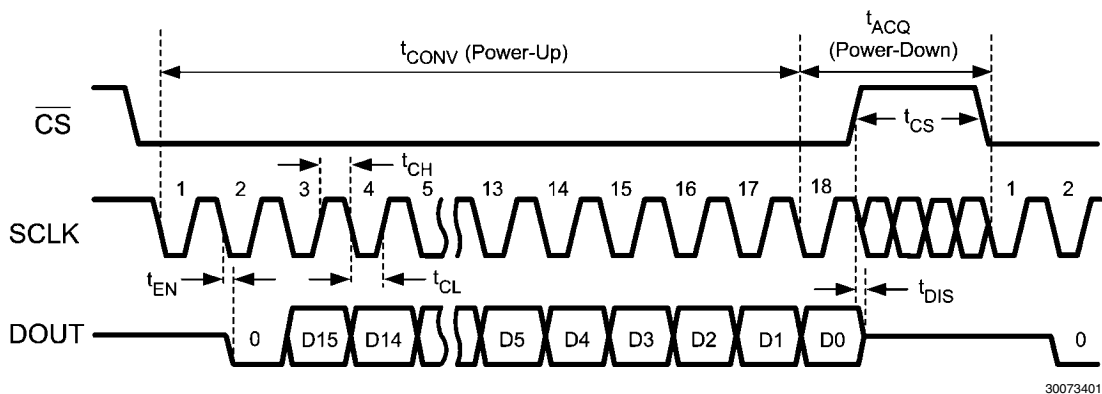


FIGURE 16. ADC161S626 Single Conversion Timing Diagram

30073401

## Applications Information

### OPERATING CONDITIONS

We recommend that the following conditions be observed for operation of the ADC161S626:

$$-40^{\circ}\text{C} \leq T_A \leq +85^{\circ}\text{C}$$

$$+4.5\text{V} \leq V_A \leq +5.5\text{V}$$

$$+2.7\text{V} \leq V_{IO} \leq +5.5\text{V}$$

$$+0.5\text{V} \leq V_{REF} \leq +5.5\text{V}$$

$$1\text{ MHz} \leq f_{SCLK} \leq 5\text{ MHz}$$

$V_{CM}$ : See Section 2.3

### 4.0 ANALOG INPUT CONSIDERATIONS

As stated previously in Section 2.6, it is not critical for the performance of the ADC161S626 to filter out the voltage spike that occurs when the ADC161S626 enters acquisition ( $t_{ACQ}$ ) mode at the end of the conversion window. However, it is critical that a system designer ensures that the transients of the spike settle out within  $t_{ACQ}$ . The burden of this task can be placed on the analog source itself or the burden can be shared by the source and an external capacitor,  $C_{EXT}$  as shown in *Figure 15*. The external capacitor acts as a local charge reservoir for the internal sampling capacitor and thus reduces the size of the voltage spike. For low frequency analog sources such as sensors with DC-like output behaviors,  $C_{EXT}$  values greater than 1 nF are recommended. However, some sensors and signal conditioning circuitry will not be able to maintain their stability in the presence of the external capacitive load. In these instances, a series resistor ( $R_{EXT}$ ) is recommended. The magnitude of  $R_{EXT}$  is dependent on the output capability of the analog source and the settling requirement of the ADC. Independent of the presence of an external capacitor, the system designer always has the option of lowering the sample rate of the ADC161S626 which directly controls the amount of time allowed for the voltage spike to settle. The slower the sample rate, the longer the  $t_{ACQ}$  time or settling time. This is possible with the ADC161S626 since the converter enters  $t_{ACQ}$  at the end of the prior conversion and thus is tracking the analog input source the entire time between conversions.

### 5.0 POWER CONSUMPTION

The architecture, design, and fabrication process allow the ADC161S626 to operate at conversion rates up to 250 kSPS while consuming very little power. The ADC161S626 consumes the least amount of power while operating in acquisition (power-down) mode. For applications where power consumption is critical, the ADC161S626 should be operated in acquisition mode as often as the application will tolerate. To further reduce power consumption, stop the SCLK while  $\overline{CS}$  is high.

#### 5.1 Short Cycling

Short cycling refers to the process of halting a conversion after the last needed bit is outputted. Short cycling can be used to lower the power consumption in those applications that do not need a full 16-bit resolution, or where an analog signal is being monitored until some condition occurs. In some circumstances, the conversion could be terminated after the first few bits. This will lower power consumption in the converter since the ADC161S626 spends more time in acquisition mode and less time in conversion mode.

Short cycling is accomplished by pulling  $\overline{CS}$  high after the last required bit is received from the ADC161S626 output. This is possible because the ADC161S626 places the latest converted data bit on  $D_{OUT}$  as it is generated. If only 10-bits of the

conversion result are needed, for example, the conversion can be terminated by pulling  $\overline{CS}$  high after the 10<sup>th</sup> bit has been clocked out.

#### 5.2 Burst Mode Operation

Normal operation of the ADC161S626 requires the SCLK frequency to be 20 times the sample rate and the  $\overline{CS}$  rate to be the same as the sample rate. However, in order to minimize power consumption in applications requiring sample rates below 250 kSPS, the ADC161S626 should be run with an SCLK frequency of 5 MHz and a  $\overline{CS}$  rate as slow as the system requires. When this is accomplished, the ADC161S626 is operating in burst mode. The ADC161S626 enters into acquisition mode at the end of each conversion, minimizing power consumption. This causes the converter to spend the longest possible time in acquisition mode. Since power consumption scales directly with conversion rate, minimizing power consumption requires determining the lowest conversion rate that will satisfy the requirements of the system.

### 6.0 PCB LAYOUT AND CIRCUIT CONSIDERATIONS

For best performance, care should be taken with the physical layout of the printed circuit board. This is especially true with a low  $V_{REF}$  or when the conversion rate is high. At high clock rates there is less time for settling, so it is important that any noise settles out before the conversion begins.

#### 6.1 Analog and Digital Power Supplies

Any ADC architecture is sensitive to spikes on the power supply, reference, and ground pins. These spikes may originate from switching power supplies, digital logic, high power devices, and other sources. Power to the ADC161S626 should be clean and well bypassed. A 0.1  $\mu\text{F}$  ceramic bypass capacitor and a 1  $\mu\text{F}$  to 10  $\mu\text{F}$  capacitor should be used to bypass the ADC161S626 supply, with the 0.1  $\mu\text{F}$  capacitor placed as close to the ADC161S626 package as possible.

Since the ADC161S626 has both the  $V_A$  and  $V_{IO}$  pins, the user has three options on how to connect these pins. The first option is to tie  $V_A$  and  $V_{IO}$  together and power them with the same power supply. This is the most cost effective way of powering the ADC161S626 but is also the least ideal. As stated previously, noise from  $V_{IO}$  can couple into  $V_A$  and adversely affect performance. The other two options involve the user powering  $V_A$  and  $V_{IO}$  with separate supply voltages. These supply voltages can have the same amplitude or they can be different.  $V_A$  can be set to any value between +4.5V and +5.5V; while  $V_{IO}$  can be set to any value between +2.7V and +5.5V.

Best performance will typically be achieved with  $V_A$  operating at 5V and  $V_{IO}$  at 3V. Operating  $V_A$  at 5V offers the best linearity and dynamic performance when  $V_{REF}$  is also set to 5V; while operating  $V_{IO}$  at 3V reduces the power consumption of the digital logic. Operating the digital interface at 3V also has the added benefit of decreasing the noise created by charging and discharging the capacitance of the digital interface pins.

#### 6.2 Voltage Reference

The reference source must have a low output impedance and needs to be bypassed with a minimum capacitor value of 0.1  $\mu\text{F}$ . A larger capacitor value of 1  $\mu\text{F}$  to 10  $\mu\text{F}$  placed in parallel with the 0.1  $\mu\text{F}$  is preferred. While the ADC161S626 draws very little current from the reference on average, there are higher instantaneous current spikes at the reference.

$V_{REF}$  of the ADC161S626, like all A/D converters, does not reject noise or voltage variations. Keep this in mind if  $V_{REF}$  is derived from the power supply. Any noise and/or ripple from the supply that is not rejected by the external reference circuitry will appear in the digital results. The use of an active

reference source is recommended. The LM4040 and LM4050 shunt reference families and the LM4120 and LM4140 series reference families are excellent choices for a reference source.

### 6.3 PCB Layout

Capacitive coupling between the noisy digital circuitry and the sensitive analog circuitry can lead to poor performance. The solution is to keep the analog circuitry separated from the digital circuitry and the clock line as short as possible. Digital circuits create substantial supply and ground current transients. The logic noise generated could have significant impact upon system noise performance. To avoid performance degradation of the ADC161S626 due to supply noise, avoid using the same supply for the  $V_A$  and  $V_{REF}$  of the ADC161S626 that is used for digital circuitry on the board.

Generally, analog and digital lines should cross each other at  $90^\circ$  to avoid crosstalk. However, to maximize accuracy in high resolution systems, avoid crossing analog and digital lines altogether. It is important to keep clock lines as short as possible and isolated from ALL other lines, including other digital lines. In addition, the clock line should also be treated as a transmission line and be properly terminated. The analog input should be isolated from noisy signal traces to avoid coupling of spurious signals into the input. Any external component (e.g., a filter capacitor) connected between the converter's input pins and ground or to the reference input pin and ground should be connected to a very clean point in the ground plane.

A single, uniform ground plane and the use of split power planes are recommended. The power planes should be lo-

cated within the same board layer. All analog circuitry (input amplifiers, filters, reference components, etc.) should be placed over the analog power plane. All digital circuitry should be placed over the digital power plane. Furthermore, the GND pins on the ADC161S626 and all the components in the reference circuitry and input signal chain that are connected to ground should be connected to the ground plane at a quiet point. Avoid connecting these points too close to the ground point of a microprocessor, microcontroller, digital signal processor, or other high power digital device.

## 7.0 APPLICATION CIRCUITS

The following figures are examples of the ADC161S626 in typical application circuits. These circuits are basic and will generally require modification for specific circumstances.

### 7.1 Data Acquisition

Figure 17 shows a typical connection diagram for the ADC161S626 operating at  $V_A$  of +5V.  $V_{REF}$  is connected to a 2.5V shunt reference, the LM4020-2.5, to define the analog input range of the ADC161S626 independent of supply variation on the +5V supply line. The  $V_{REF}$  pin should be de-coupled to the ground plane by a  $0.1\ \mu\text{F}$  ceramic capacitor and a tantalum capacitor of  $10\ \mu\text{F}$ . It is important that the  $0.1\ \mu\text{F}$  capacitor be placed as close as possible to the  $V_{REF}$  pin while the placement of the tantalum capacitor is less critical. It is also recommended that the  $V_A$  and  $V_{IO}$  pins of the ADC161S626 be de-coupled to ground by a  $0.1\ \mu\text{F}$  ceramic capacitor in parallel with a  $10\ \mu\text{F}$  tantalum capacitor.

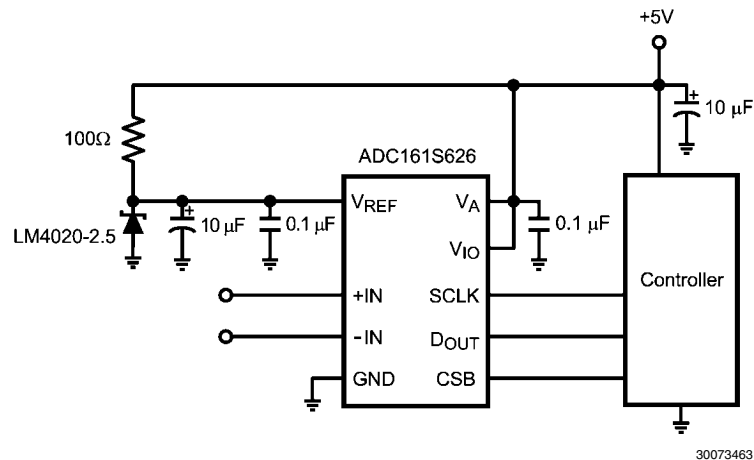


FIGURE 17. Low cost, low power Data Acquisition System

### 7.2 Bridge Sensor Application

Figure 18 and Figure 19 show examples of interfacing bridge sensors to the ADC161S626. The applications assume that the bridge sensors require buffering and amplification to fully utilize the dynamic range of the ADC and thus optimize the performance of the entire signal path. The amplification stages consist of the LMP7732 and the LMP7731, dual and single precision amplifiers, and some gain setting passive components. The amplification stages offer the benefit of high input impedance and high amplification capability.

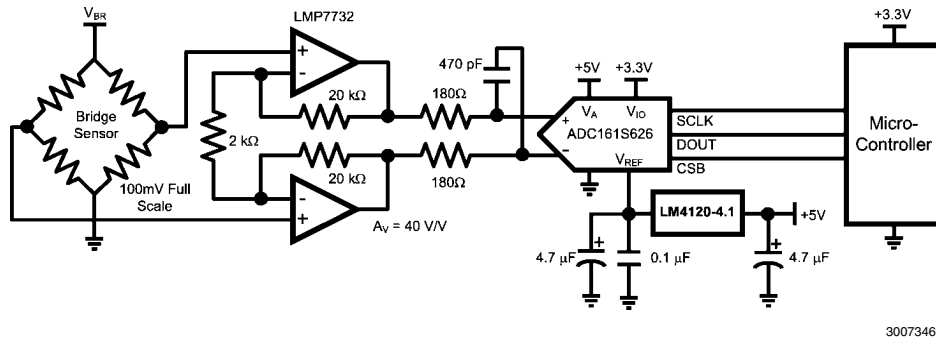
Figure 19, which has the amplification stage configured as an instrumentation amplifier, has the added benefit of additional common-mode rejection of common-mode noise or DC-volt-

ages coming from the bridge sensor. Depending on the voltage applied at  $V_{CM}$ , the ADC161S626 in the single-ended application will convert the output voltage of a bridge sensor that contains both a positive and negative component or a bridge sensor that only outputs a positive voltage. For the case of a sensor with both positive and negative output capability, it is recommended that  $V_{CM}$  be connected to  $V_{REF}$ . For a sensor that only outputs a positive voltage,  $V_{CM}$  would need to be connected to ground. Both of these scenarios will allow all the ADC output codes to be potentially utilized.

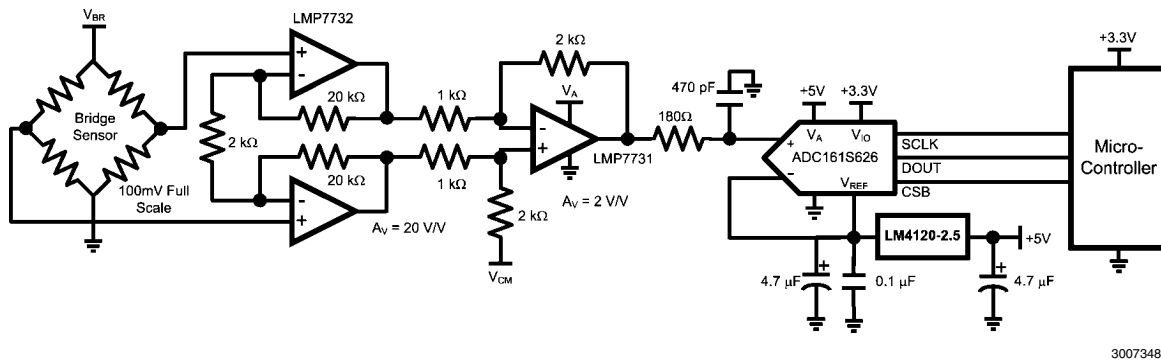
A separate power supply ( $V_{BR}$ ) is assumed to be biasing the bridge sensor but another option for biasing the bridge sensor would be powering it from the +5V power supply. This option has the benefit of providing the ideal common-mode input

voltage for the ADC161S626, while keeping design complexity and cost to a minimum. However, any fluctuation in the +5V supply will still be visible on the differential input to the amplification stage. The LM4120-4.1, a 4.1V series reference, and the LM4120-2.5, a 2.5V series reference, are used as the reference voltages in the respective application drawings. The

application in *Figure 19* is limited to a  $V_{REF}$  of 2.5V or less because of the single-ended configuration of the differential ADC161S626, as discussed in Section 2.2. The ADC161S626 and the LM4120's are all powered from the same +5V voltage source.



**FIGURE 18. Differential Application for a Bridge Sensor**

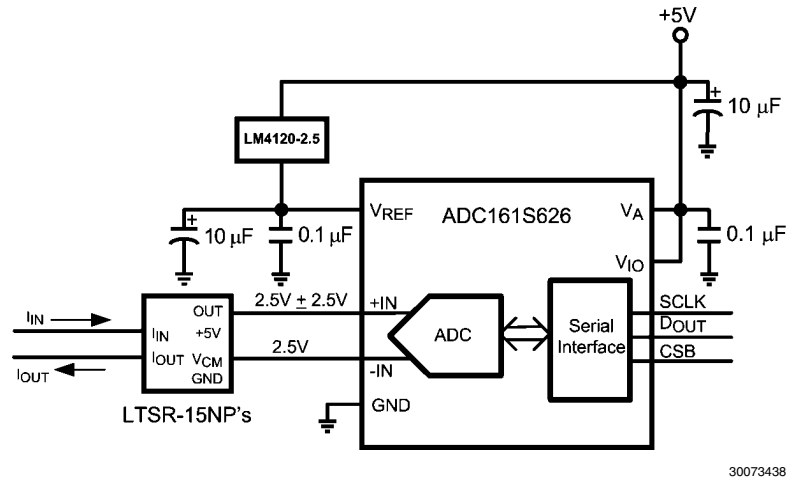


**FIGURE 19. Single-Ended Application for a Bridge Sensor**

### 7.3 Current Sensing Application

*Figure 20* shows an example of interfacing a current transducer to the ADC161S626. The current transducer converts an input current into a voltage that is converted by the ADC. Since the output voltage of the current transducer is single-ended and centered around a common-mode voltage ( $V_{CM}$ ) of 2.5V, the ADC161S626 is configured with the output of the transducer driving the non-inverting input and  $V_{CM}$  of the transducer driving the inverting input. The output of the trans-

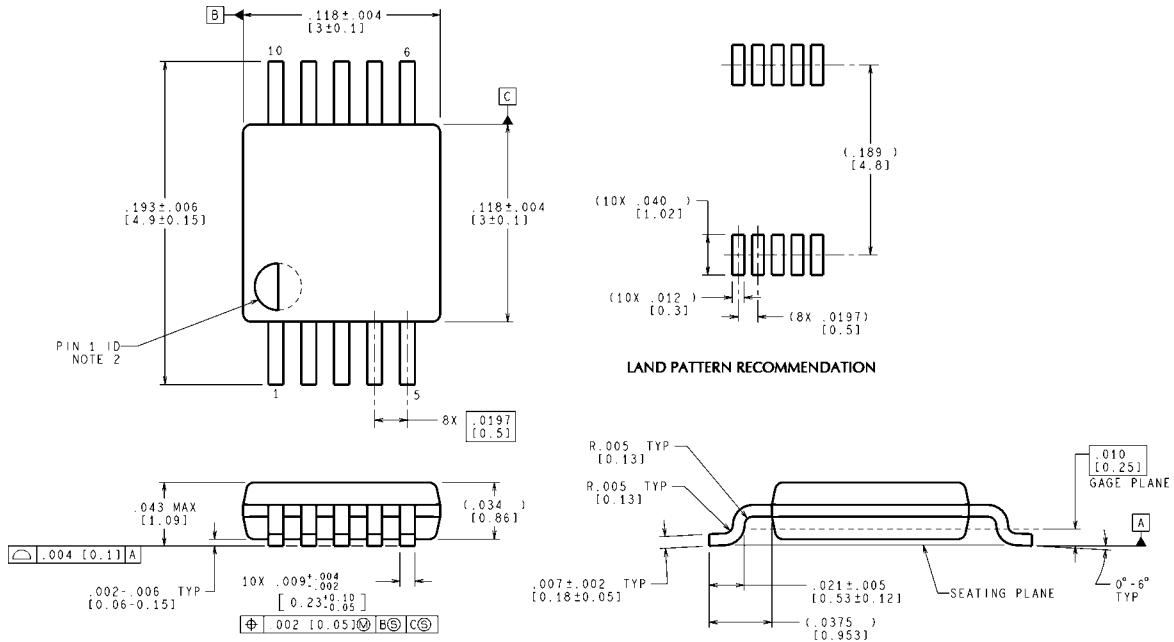
ducer has an output range of  $\pm 2.5V$  around  $V_{CM}$  of 2.5V. As a result, a series reference voltage of 2.5V is connected to the ADC161S626. This will allow all of the codes of the ADC161S626 to be available for the application. This configuration of the ADC161S626 is referred to as a single-ended application of a differential ADC. All of the elements in the application are conveniently powered by the same +5V power supply, keeping circuit complexity and cost to a minimum.



30073438

FIGURE 20. Interfacing the ADC161S626 to a Current Transducer

**Physical Dimensions** inches (millimeters) unless otherwise noted



CONTROLLING DIMENSION IS INCH  
 VALUES IN [ ] ARE MILLIMETERS  
 DIMENSIONS IN ( ) FOR REFERENCE ONLY

MUB10A (Rev B)

**10-Lead MSOP**  
**Order Number ADC161S626CIMM**  
**NS Package Number MUB10A**

## Notes

For more National Semiconductor product information and proven design tools, visit the following Web sites at:

Products		Design Support	
Amplifiers	<a href="http://www.national.com/amplifiers">www.national.com/amplifiers</a>	WEBENCH® Tools	<a href="http://www.national.com/webench">www.national.com/webench</a>
Audio	<a href="http://www.national.com/audio">www.national.com/audio</a>	App Notes	<a href="http://www.national.com/appnotes">www.national.com/appnotes</a>
Clock and Timing	<a href="http://www.national.com/timing">www.national.com/timing</a>	Reference Designs	<a href="http://www.national.com/refdesigns">www.national.com/refdesigns</a>
Data Converters	<a href="http://www.national.com/adc">www.national.com/adc</a>	Samples	<a href="http://www.national.com/samples">www.national.com/samples</a>
Interface	<a href="http://www.national.com/interface">www.national.com/interface</a>	Eval Boards	<a href="http://www.national.com/evalboards">www.national.com/evalboards</a>
LVDS	<a href="http://www.national.com/lvds">www.national.com/lvds</a>	Packaging	<a href="http://www.national.com/packaging">www.national.com/packaging</a>
Power Management	<a href="http://www.national.com/power">www.national.com/power</a>	Green Compliance	<a href="http://www.national.com/quality/green">www.national.com/quality/green</a>
Switching Regulators	<a href="http://www.national.com/switchers">www.national.com/switchers</a>	Distributors	<a href="http://www.national.com/contacts">www.national.com/contacts</a>
LDOs	<a href="http://www.national.com/ldo">www.national.com/ldo</a>	Quality and Reliability	<a href="http://www.national.com/quality">www.national.com/quality</a>
LED Lighting	<a href="http://www.national.com/led">www.national.com/led</a>	Feedback/Support	<a href="http://www.national.com/feedback">www.national.com/feedback</a>
Voltage Reference	<a href="http://www.national.com/vref">www.national.com/vref</a>	Design Made Easy	<a href="http://www.national.com/easy">www.national.com/easy</a>
PowerWise® Solutions	<a href="http://www.national.com/powerwise">www.national.com/powerwise</a>	Solutions	<a href="http://www.national.com/solutions">www.national.com/solutions</a>
Serial Digital Interface (SDI)	<a href="http://www.national.com/sdi">www.national.com/sdi</a>	Mil/Aero	<a href="http://www.national.com/milaero">www.national.com/milaero</a>
Temperature Sensors	<a href="http://www.national.com/tempensors">www.national.com/tempensors</a>	SolarMagic™	<a href="http://www.national.com/solarmagic">www.national.com/solarmagic</a>
Wireless (PLL/VCO)	<a href="http://www.national.com/wireless">www.national.com/wireless</a>	PowerWise® Design University	<a href="http://www.national.com/training">www.national.com/training</a>

THE CONTENTS OF THIS DOCUMENT ARE PROVIDED IN CONNECTION WITH NATIONAL SEMICONDUCTOR CORPORATION ("NATIONAL") PRODUCTS. NATIONAL MAKES NO REPRESENTATIONS OR WARRANTIES WITH RESPECT TO THE ACCURACY OR COMPLETENESS OF THE CONTENTS OF THIS PUBLICATION AND RESERVES THE RIGHT TO MAKE CHANGES TO SPECIFICATIONS AND PRODUCT DESCRIPTIONS AT ANY TIME WITHOUT NOTICE. NO LICENSE, WHETHER EXPRESS, IMPLIED, ARISING BY ESTOPPEL OR OTHERWISE, TO ANY INTELLECTUAL PROPERTY RIGHTS IS GRANTED BY THIS DOCUMENT.

TESTING AND OTHER QUALITY CONTROLS ARE USED TO THE EXTENT NATIONAL DEEMS NECESSARY TO SUPPORT NATIONAL'S PRODUCT WARRANTY. EXCEPT WHERE MANDATED BY GOVERNMENT REQUIREMENTS, TESTING OF ALL PARAMETERS OF EACH PRODUCT IS NOT NECESSARILY PERFORMED. NATIONAL ASSUMES NO LIABILITY FOR APPLICATIONS ASSISTANCE OR BUYER PRODUCT DESIGN. BUYERS ARE RESPONSIBLE FOR THEIR PRODUCTS AND APPLICATIONS USING NATIONAL COMPONENTS. PRIOR TO USING OR DISTRIBUTING ANY PRODUCTS THAT INCLUDE NATIONAL COMPONENTS, BUYERS SHOULD PROVIDE ADEQUATE DESIGN, TESTING AND OPERATING SAFEGUARDS.

EXCEPT AS PROVIDED IN NATIONAL'S TERMS AND CONDITIONS OF SALE FOR SUCH PRODUCTS, NATIONAL ASSUMES NO LIABILITY WHATSOEVER, AND NATIONAL DISCLAIMS ANY EXPRESS OR IMPLIED WARRANTY RELATING TO THE SALE AND/OR USE OF NATIONAL PRODUCTS INCLUDING LIABILITY OR WARRANTIES RELATING TO FITNESS FOR A PARTICULAR PURPOSE, MERCHANTABILITY, OR INFRINGEMENT OF ANY PATENT, COPYRIGHT OR OTHER INTELLECTUAL PROPERTY RIGHT.

#### LIFE SUPPORT POLICY

**NATIONAL'S PRODUCTS ARE NOT AUTHORIZED FOR USE AS CRITICAL COMPONENTS IN LIFE SUPPORT DEVICES OR SYSTEMS WITHOUT THE EXPRESS PRIOR WRITTEN APPROVAL OF THE CHIEF EXECUTIVE OFFICER AND GENERAL COUNSEL OF NATIONAL SEMICONDUCTOR CORPORATION.** As used herein:

Life support devices or systems are devices which (a) are intended for surgical implant into the body, or (b) support or sustain life and whose failure to perform when properly used in accordance with instructions for use provided in the labeling can be reasonably expected to result in a significant injury to the user. A critical component is any component in a life support device or system whose failure to perform can be reasonably expected to cause the failure of the life support device or system or to affect its safety or effectiveness.

National Semiconductor and the National Semiconductor logo are registered trademarks of National Semiconductor Corporation. All other brand or product names may be trademarks or registered trademarks of their respective holders.

Copyright© 2009 National Semiconductor Corporation

For the most current product information visit us at [www.national.com](http://www.national.com)



**National Semiconductor  
Americas Technical  
Support Center**  
Email: [support@nsc.com](mailto:support@nsc.com)  
Tel: 1-800-272-9959

**National Semiconductor Europe  
Technical Support Center**  
Email: [europe.support@nsc.com](mailto:europe.support@nsc.com)

**National Semiconductor Asia  
Pacific Technical Support Center**  
Email: [ap.support@nsc.com](mailto:ap.support@nsc.com)

**National Semiconductor Japan  
Technical Support Center**  
Email: [jpn.feedback@nsc.com](mailto:jpn.feedback@nsc.com)