

## CLC952 12-bit, 41MSPS Monolithic A/D Converter

### General Description

The CLC952 is a complete monolithic 12-bit 41MSPS analog-to-digital converter system. Fabricated from a 0.8 $\mu$ m BiCMOS process, the CLC952's on-chip features include a very linear wideband track-and-hold, bandgap voltage reference and a proprietary 12-bit multi-stage quantizer. The CLC952 has been designed for wideband digital communications receivers and features a 72dBc spurious-free dynamic range (SFDR) and 64dB signal-to-noise ratio (SNR).

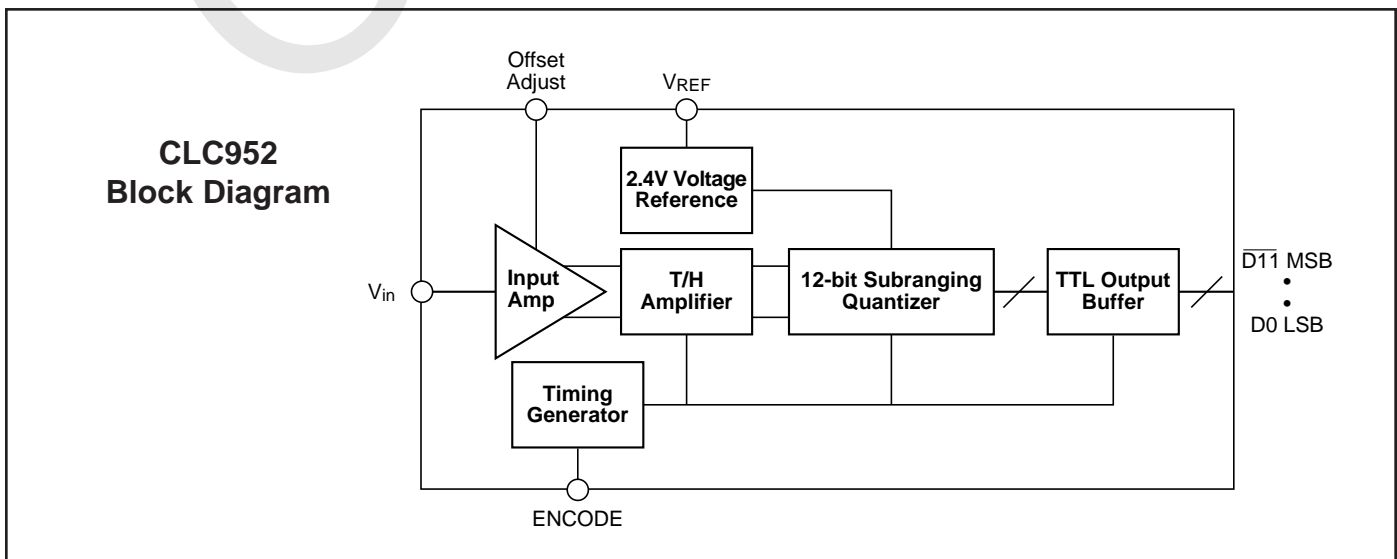
The CLC952 operates from a standard  $\pm 5$ V power supply and features excellent noise isolation with its >60dB power-supply rejection ratio (PSRR). All digital control functions and output registers are TTL compatible. The CLC952AC operates over the commercial temperature range (0°C to 70°C), and the CLC952AJ operates over the industrial temperature range (-40°C to 85°C) version. The CLC952 is available in a 28-pin SSOP that provides an extremely small footprint for reduced board space. National Semiconductor thoroughly tests each part to verify full compliance with guaranteed specifications.

### Features

- 41MSPS
- Wide dynamic range  
SFDR: 72dBc  
SNR: 64dB
- Low power dissipation: 660mW
- Ground centered,  
DC-coupled analog input
- Excellent PSRR: >60dB
- Very small package: 28-pin SSOP
- Low cost

### Applications

- Cellular base-stations
- Digital communications
- Infrared/CCD imaging
- IF sampling
- Electro-optics
- Instrumentation
- Medical imaging
- High definition video



# CLC952 Electrical Characteristics (V<sub>CC</sub> = +5V, V<sub>EE</sub> = -5V, 40.96MSPS; unless specified)

PARAMETERS	CONDITIONS	TEMP	RATINGS			UNITS	NOTES
			MIN	TYP	MAX		
		Note 4					
<b>DYNAMIC PERFORMANCE</b>							
small-signal bandwidth	V <sub>in</sub> = 1/4FS	+25°C		185		MHz	
large-signal bandwidth	V <sub>in</sub> = FS	+25°C		180		MHz	
slew rate		+25°C		357		V/μs	
overvoltage recovery time	V <sub>in</sub> = 1.5FS (0.01%)	+25°C		5		ns	
effective aperture delay		+25°C		1.6		ns	
aperture jitter		+25°C		4		ps(rms)	
<b>NOISE AND DISTORTION (40.96MSPS)</b>							
signal-to-noise ratio (w/o harmonics)							
2.0MHz	FS	+25°C	60	64		dB	1
	FS	Full		61		dB	
9.67MHz	FS	+25°C	60	64		dB	1
	FS	Full		61		dB	
19.5MHz	FS	+25°C	60	62		dB	1
	FS	Full		60		dB	
spurious-free dynamic range							
2.0MHz	FS-1dB	+25°C	64	72		dBc	1
	FS-1dB	Full		71		dBc	
9.67MHz	FS-1dB	+25°C	61	69		dBc	1
	FS-1dB	Full		68		dBc	
19.5MHz	FS-1dB	+25°C	60	67		dBc	1
	FS-1dB	Full		66		dBc	
intermodulation distortion							
19.49MHz (f <sub>1</sub> ), 19.9MHz (f <sub>2</sub> )	FS-7dB	+25°C		75		dBFS	
<b>DC ACCURACY AND PERFORMANCE</b>							
differential non-linearity	DC; FS	+25°C		1.4		LSB	
integral non-linearity	DC; FS	+25°C		3.0		LSB	
bipolar offset error		+25°C		5.1		mV	
bipolar offset error		Full			25.0	mV	3
bipolar gain error		+25°C		-4.5		%FS	
bipolar gain error		Full			15.0	%FS	3
<b>ANALOG INPUT AND PERFORMANCE</b>							
analog input resistance		+25°C		500		Ω	
analog input capacitance		+25°C		2		pF	
<b>DIGITAL INPUTS</b>							
input voltage	logic LOW	Full			0.8	V	1,3
	logic HIGH	Full	2.0			V	1,3
input current	logic LOW	Full		0	5	μA	1,3
	logic HIGH	Full		4.0	25	μA	1,3
output voltage	logic LOW	Full			0.8	V	1,3
	logic HIGH	Full	2.4			V	1,3
<b>TIMING</b>							
maximum conversion rate		Full			40.96	MSPS	1,3
minimum conversion rate		Full		3.0		MSPS	3
pulse width high		Full		12.2	15	ns	3
pulse width low		Full	10.5	12.2		ns	3
pipeline delay		Full			1.0	clk cycle	3
output propagation delay		+25°C		15		ns	
<b>POWER REQUIREMENTS</b>							
+5V supply current	41MSPS	+25°C		54	70	mA	1
+5V supply current	41MSPS	Full			70	mA	3
-5V supply current	41MSPS	+25°C		78	100	mA	1
-5V supply current	41MSPS	Full			100	mA	3
nominal power dissipation	41MSPS	+25°C		660		mW	
V <sub>EE</sub> power supply rejection ratio		+25°C		72		dB	
V <sub>CC</sub> power supply rejection ratio		+25°C		60		dB	

Min/max ratings are based on product characterization and simulation. Individual parameters are tested as noted. Outgoing quality levels are determined from tested parameters.

## Notes

- 1) These parameters are 100% tested at 25°C.
- 2) Typical specifications are the mean values of the distributions of deliverable converters tested to date.
- 3) Min/max data over temperature is based on the 5 sigma limit for deliverable converters tested to date.
- 4) Full temperature range is 0°C to +70°C for AC, -40°C to +85°C for AJ.

## Absolute Maximum Ratings

positive supply voltage ( $V_{CC}$ )	-0.5V to +6V
negative supply voltage ( $V_{EE}$ )	+0.5V to -6V
differential voltage between any two grounds	<200mV
analog input voltage range	$V_{EE}$ to $V_{CC}$
digital input voltage range	-0.5V to + $V_{CC}$
output short circuit duration (one-pin to ground)	infinite
junction temperature	175°C
storage temperature range	-65°C to 150°C
lead solder duration (+300°C)	10sec

Note: Absolute maximum ratings are limiting values, to be applied individually, and beyond which the serviceability of the circuit may be impaired. Functional operability under any of these conditions is not necessarily implied. Exposure to maximum ratings for extended periods may affect device reliability.

## Recommended Operating Conditions

positive supply voltage ( $V_{CC}$ )	+5V $\pm$ 5%
negative supply voltage ( $V_{EE}$ )	-5V $\pm$ 5%
differential voltage between any two grounds	<10mV
analog input voltage range	$\pm$ 0.5V
operating temperature range (AC)	0°C to +70°C
operating temperature range (AJ)	-40°C to +85°C

## Package Thermal Resistance

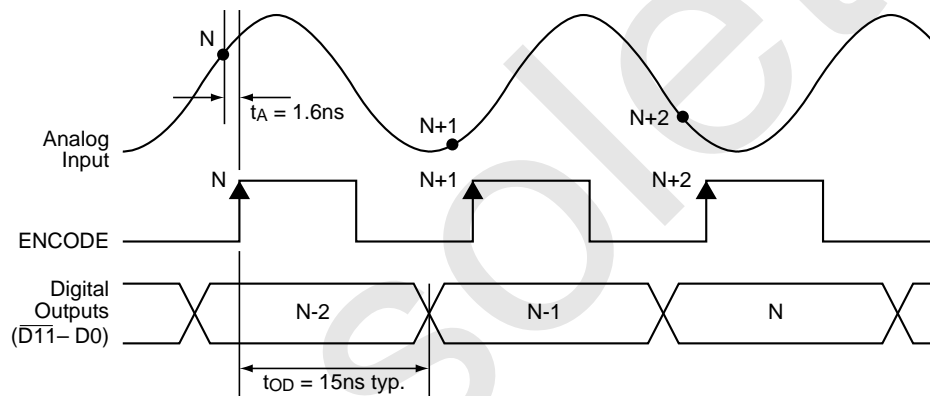
Package	$\theta_{JA}$	$\theta_{JC}$
28-pin SSOP	80°C/W	32°C/W

## Reliability Information

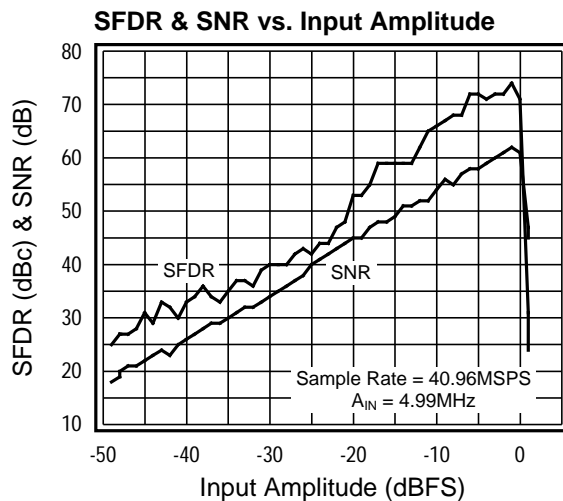
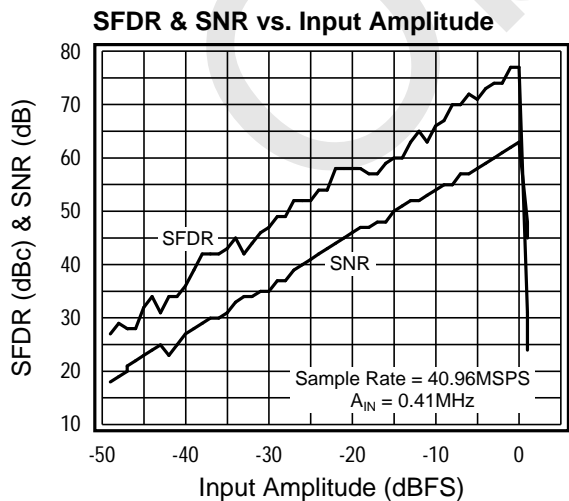
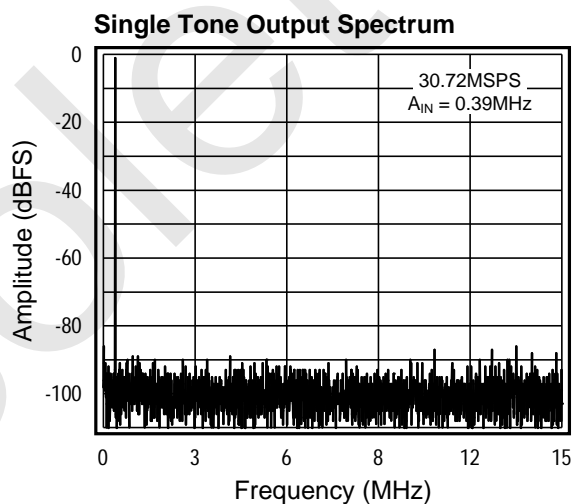
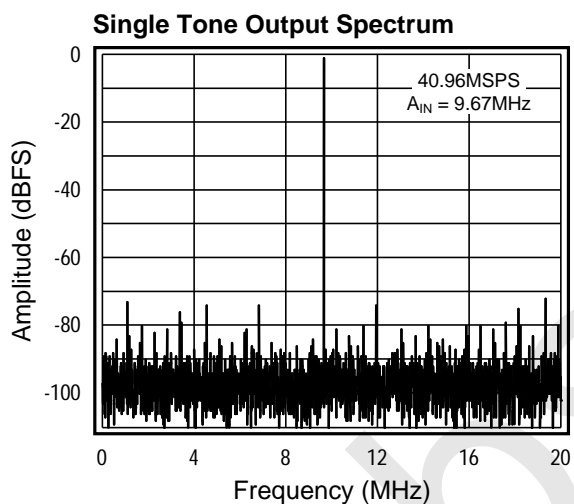
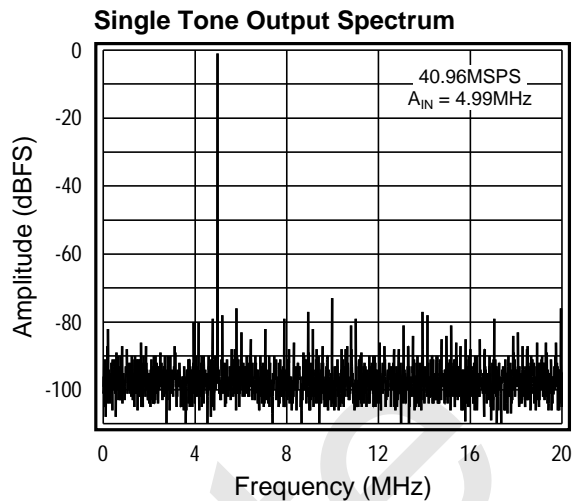
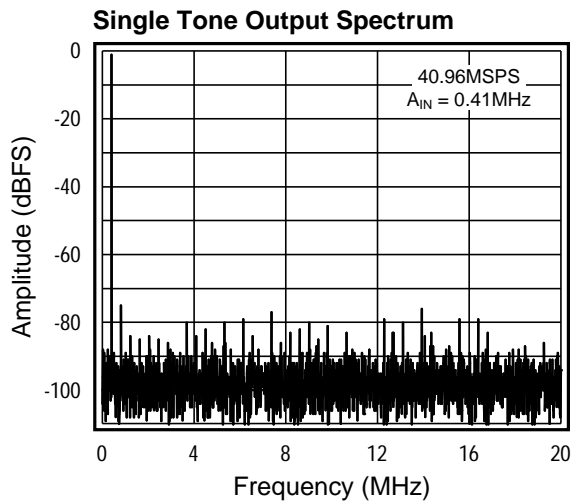
Transistor count	3000
------------------	------

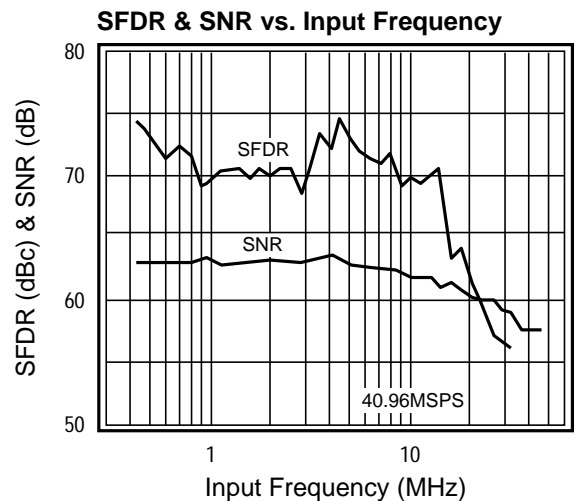
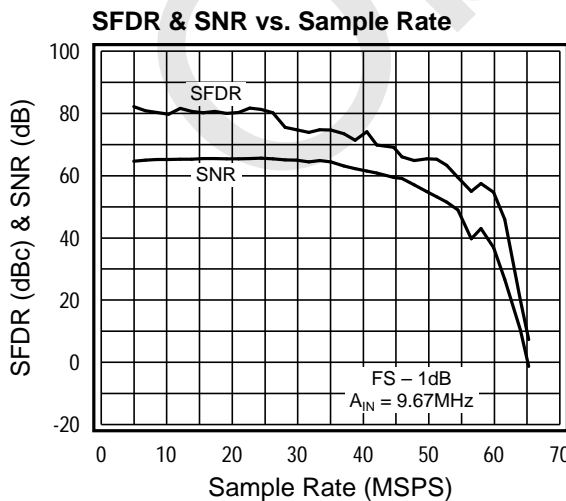
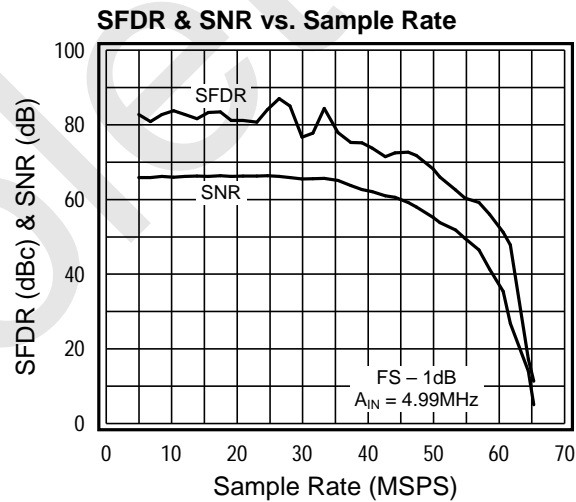
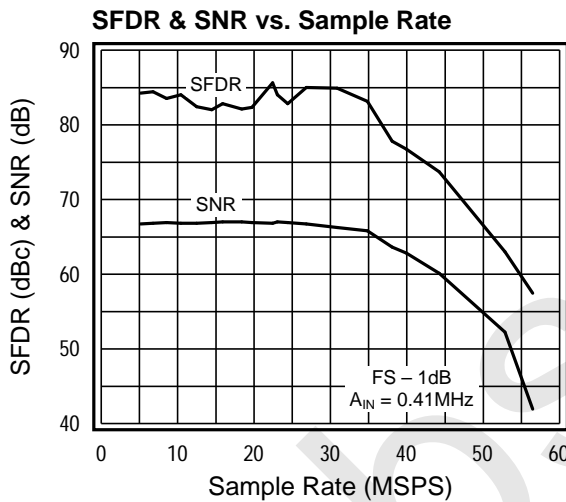
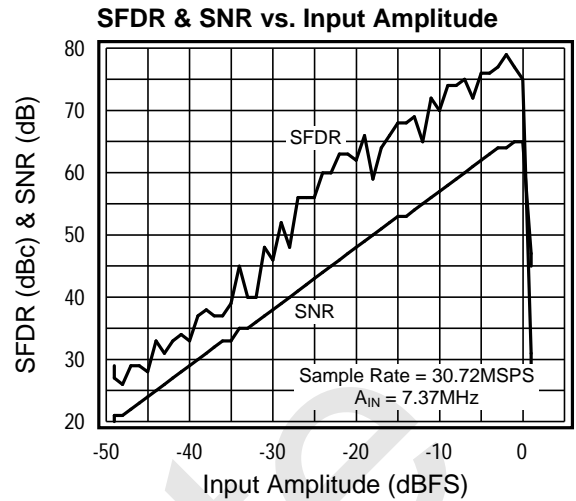
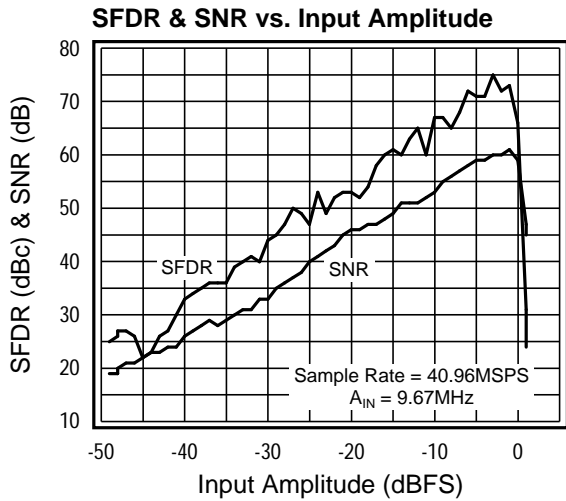
## Ordering Information

Model	Temperature Range	Description
CLC952ACMSA	0°C to +70°C	28-pin SSOP (commercial part)
CLC952AJMSA	-40°C to +85°C	28-pin SSOP (industrial part)
CLC952PCASM		Fully loaded evaluation board with CLC952 ... ready for test.

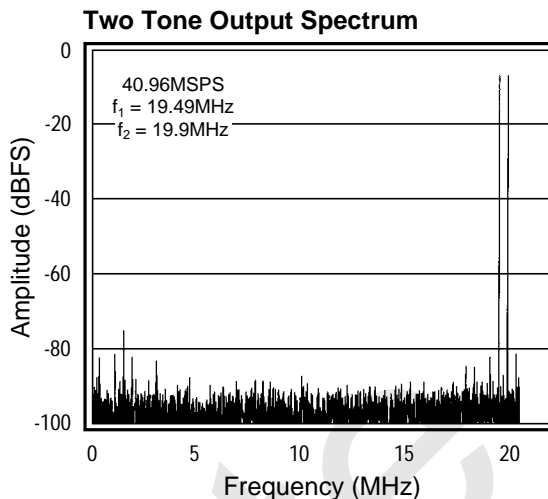
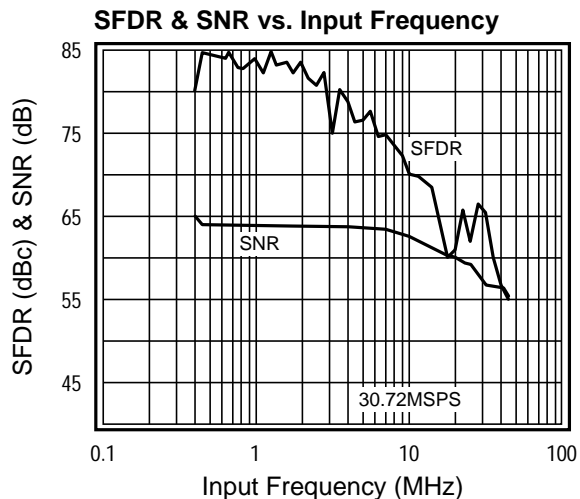


CLC952 Timing Diagram

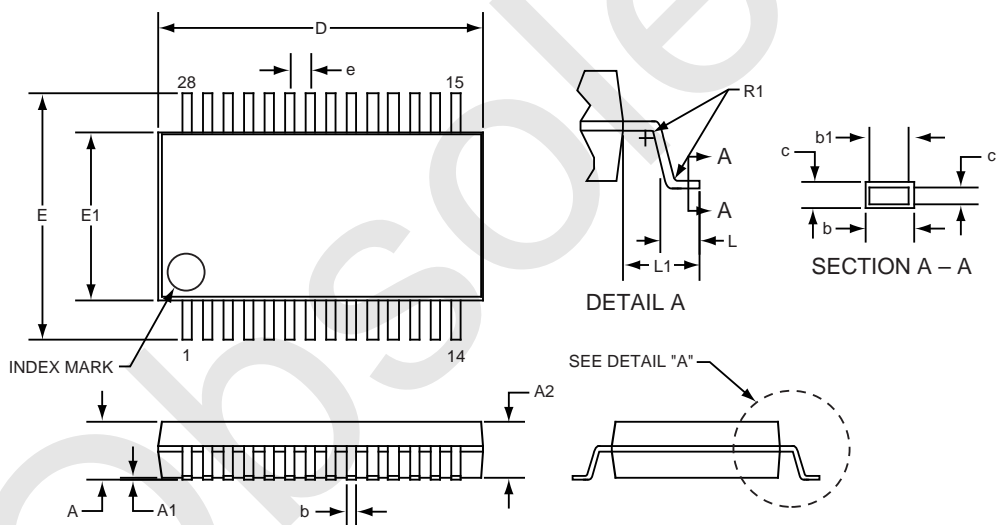




# CLC952 Typical Performance Characteristics ( $V_{CC} = +5V, V_{EE} = -5V$ )



## Physical Dimensions

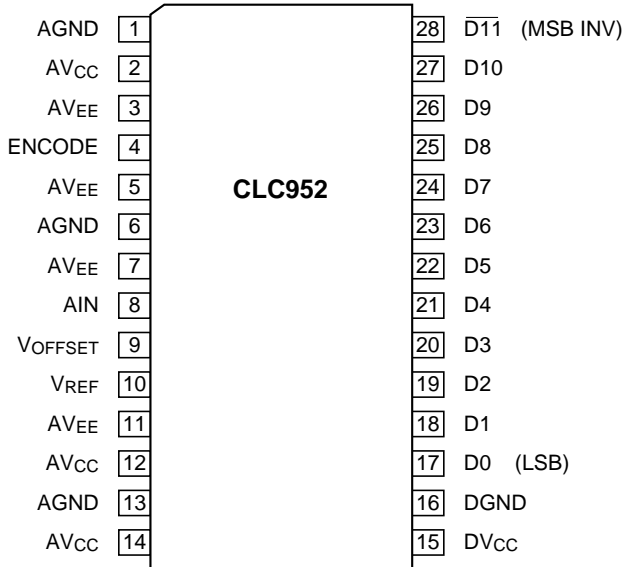


Symbol	Min	Max	Notes
A	1.73	2.00	
A1	0.00	0.21	
A2	1.65	1.85	
b	0.20	0.40	
b1	0.20	0.33	
c	0.10	0.22	
c1	0.10	0.18	
D	10.07	10.33	2
E	7.50	7.90	
E1	5.20	5.38	2
e	0.65 BSC		
L	0.52	0.95	
L1	1.25 REF		
R1	0.09		

**Notes:**

- All dimensions are in millimeters
- Dimensions D and E1 do not include mold protrusion. Allowable protrusion is 0.20mm per side.

## CLC952 Pin Definitions



**AGND** (Pins 1, 6, 13) Analog circuit ground.

**AV<sub>CC</sub>** (Pins 2, 12, 14) +5V power supply for the analog section. Bypass to analog ground with a 0.1μF capacitor.

**AV<sub>EE</sub>** (Pins 3, 5, 7, 11) -5V power supply for the analog section. Bypass to analog ground with a 0.1μF capacitor.

**ENCODE** (Pin 4) ENCODE initiates a new data conversion cycle on each rising edge. Logic for this input is standard TTL. 50% duty cycle is recommended for full compliance with the guaranteed specifications.

**AIN** (Pin 8) Ground-centered, DC-coupled analog input with a 1V<sub>pp</sub> maximum input range from -0.5V to +0.5V. Analog input impedance is approximately 500Ω.

**V<sub>OFFSET</sub>** (Pin 9) Voltage offset control. Sets the midpoint of the analog input range. Normally left floating. Ratio of applied voltage to effective offset is 200:1. (1V applied to V<sub>OFFSET</sub> produces 5mV midpoint offset.)

**V<sub>REF</sub>** (Pin 10) Internal voltage reference. Nominally +2.4V. V<sub>REF</sub> can be pulled up or down with a voltage source to program gain and input range. Bypass V<sub>REF</sub> to ground with a 0.1μF capacitor.

**DV<sub>CC</sub>** (Pin 15) +5V power supply for the digital section. Bypass to digital ground with a 0.1μF capacitor.

**DGND** (Pin 16) Digital ground.

**D0-D11** (Pins 17-28) Digital data outputs are CMOS and TTL compatible. D0 is the LSB and D11 is the MSB. MSB is inverted. Output coding is two's complement.

---

### Customer Design Applications Support

National Semiconductor is committed to design excellence. For sales, literature and technical support, call the National Semiconductor Customer Response Group at **1-800-272-9959** or fax **1-800-737-7018**.

### Life Support Policy

National's products are not authorized for use as critical components in life support devices or systems without the express written approval of the president of National Semiconductor Corporation. As used herein:

1. Life support devices or systems are devices or systems which, a) are intended for surgical implant into the body, or b) support or sustain life, and whose failure to perform, when properly used in accordance with instructions for use provided in the labeling, can be reasonably expected to result in a significant injury to the user.
2. A critical component is any component of a life support device or system whose failure to perform can be reasonably expected to cause the failure of the life support device or system, or to affect its safety or effectiveness.



#### National Semiconductor Corporation

1111 West Bardin Road  
Arlington, TX 76017  
Tel: 1(800) 272-9959  
Fax: 1(800) 737-7018

#### National Semiconductor Europe

Fax: (+49) 0-180-530 85 86  
E-mail: europe.support.nsc.com  
Deutsch Tel: (+49) 0-180-530 85 85  
English Tel: (+49) 0-180-532 78 32  
Francais Tel: (+49) 0-180-532 93 58  
Italiano Tel: (+49) 0-180-534 16 80

#### National Semiconductor Hong Kong Ltd.

13th Floor, Straight Block  
Ocean Centre, 5 Canton Road  
Tsimshatsui, Kowloon  
Hong Kong  
Tel: (852) 2737-1600  
Fax: (852) 2736-9960

#### National Semiconductor Japan Ltd.

Tel: 81-043-299-2309  
Fax: 81-043-299-2408

---

National does not assume any responsibility for use of any circuitry described, no circuit patent licenses are implied and National reserves the right at any time without notice to change said circuitry and specifications.