

6.5 Gbps 8x8 Asynchronous Crosspoint Switch

Features

- 8 input by 8 output crosspoint switch
- 6.5 Gbps NRZ data bandwidth
- Global and individual programmable Input Signal Equalization (ISE) and output drive levels
- On-board PRBS Generator/Detector with 10-bit, user-definable pattern
- 2.5 or 3.3 V CMOS/TTL control I/O
- Differential CML data output driver
- Soft power-down for unused channels
- Programmable data output values
- 125 MHz program port
- On-chip input and output terminations
- Single 2.5 V supply, 3.3 V option for control port
- 1.8 W typical power dissipation
- High-performance CBGA package

Applications

- Loopback
- Protection Switching
- Line Driver/Receiver
- Line Reordering
- Wideband Signal Clean-Up

General Description

The VSC3108 is an 8x8 asynchronous crosspoint switch designed to carry broadband data streams. The fully non-blocking switch core is programmed through a multi-mode port interface that allows random access programming of each input/output connection. A high degree of signal integrity is maintained throughout the chip by fully differential signal paths.

Each data output can be programmed to connect to one of the eight inputs. The signal path is unregistered and fully asynchronous, so there are no restrictions on the phase, frequency, or signal pattern on any input. Each high-speed output is a fully differential switched current driver with on-die terminations for maximum signal integrity. Data inputs are terminated on-die through 100 Ω resistors between true and complement inputs with a common connection to an internal bias source, facilitating AC-coupling to the switch inputs.

Programming of the VSC3108 is effected using a 10-bit, non-multiplexed bus, in conjunction with the \overline{RD} and \overline{WR} pins.

Unused channels may be powered down by means of register programming. This allows more efficient use of the switch in applications that require only a subset of the channels.

The VSC3108 and VSC3108-01 are available in a 69-pin CBGA package.

Block Diagrams

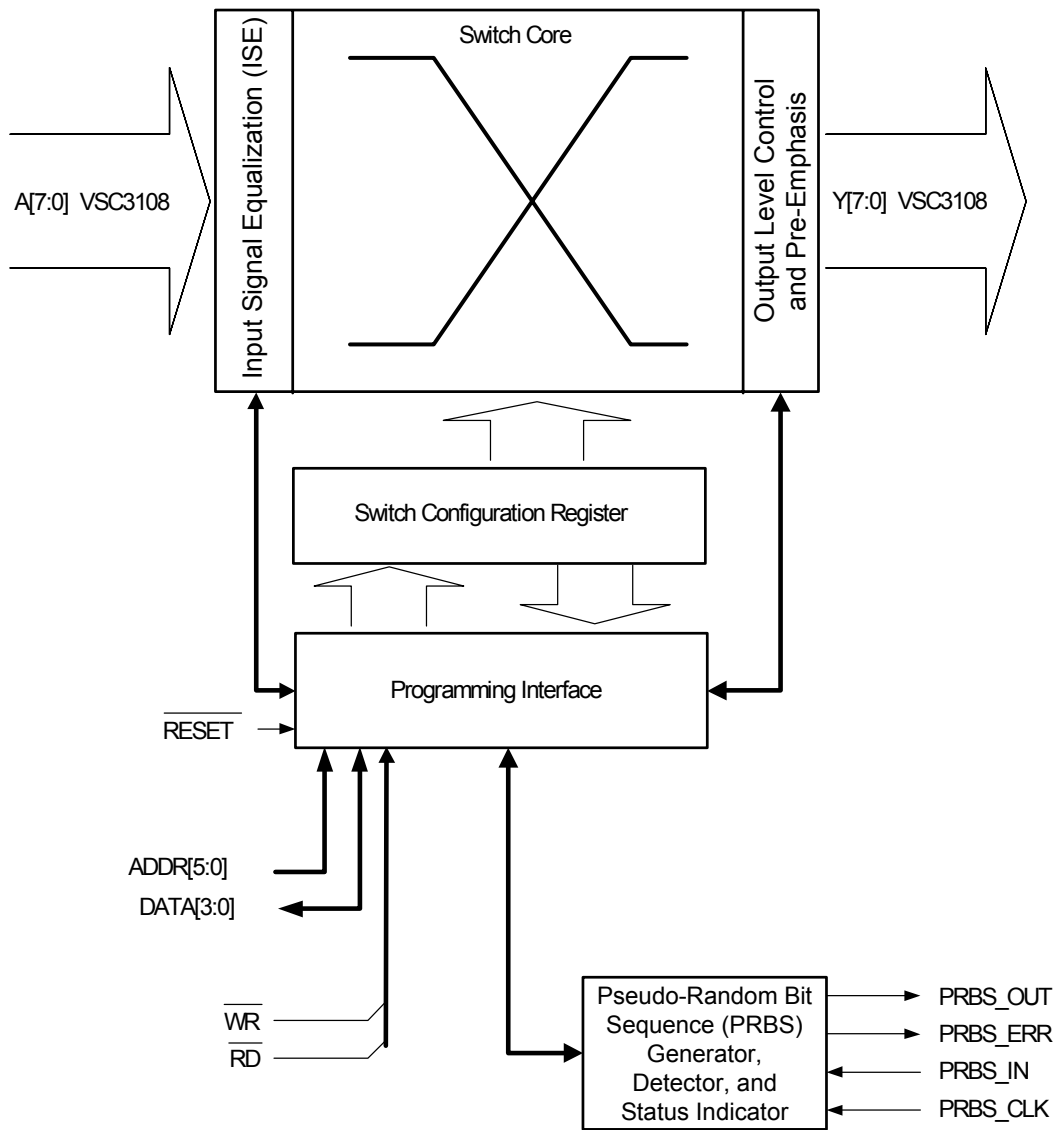


Figure 1. Block Diagram

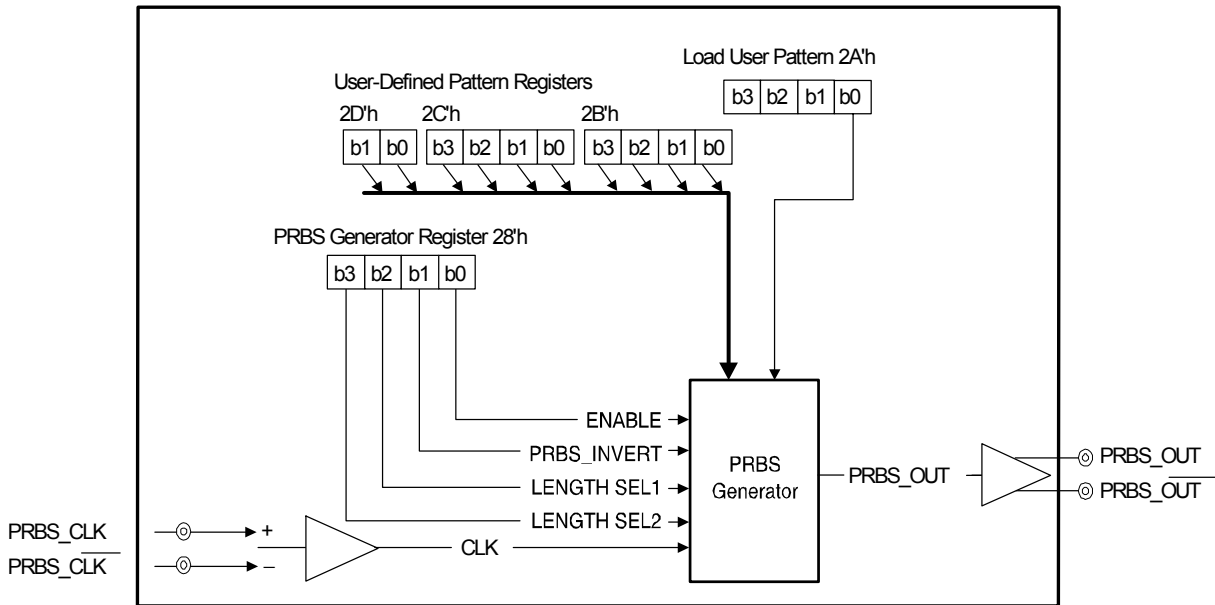


Figure 2. PRBS Generator Block Diagram

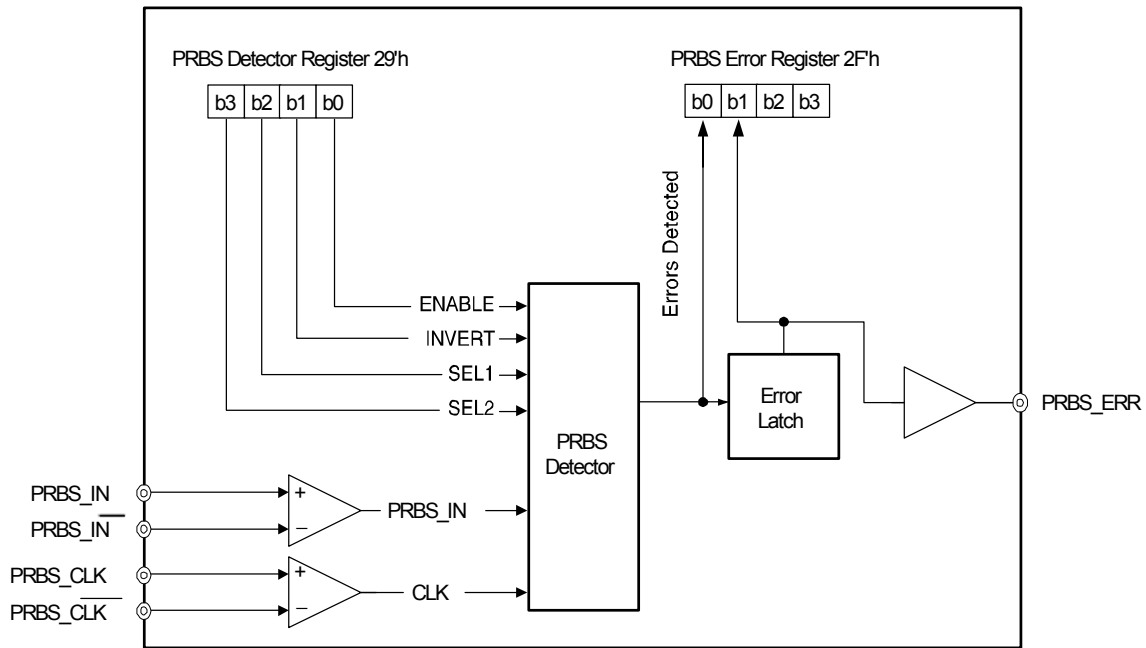


Figure 3. PRBS Error Detector Block Diagram

Downloaded by data_acq@partminer.com on May 4, 2008 from Vitesse.com

Revision History

This section describes the changes that were implemented in this document. The changes are listed by revision, starting with the most current publication.

Revision 4.3

Revision 4.3 of this datasheet was published on April 2, 2008. In revision 4.3 of the document, the VSC3108VP-01, VSC3108XVP-01, VSC3108SX-01, and VSC3108XSX-01 parts were added. For more information, see [“Ordering Information”](#), page 27.

Revision 4.2

Revision 4.2 of this datasheet was published on June 4, 2007. The following is a summary of the changes implemented in the datasheet:

- In the Register Summary Map, the bit range for the global input signal equalization and individual input signal equalization registers was corrected from 1:0 to 2:0 and the address range for the switch array connection register was corrected from 0'h–3'h to 0'h–7'h.
- The output pre-emphasis section was updated to include information about the nominal boost output level settings.
- The PRBS detector rate parameter was added.
- The minimum value for the input common-mode voltage parameter was updated.

Revision 4.1

Revision 4.1 of this datasheet was published on September 24, 2004. The following is a summary of the changes implemented in the datasheet:

- The device is now available in four package types, including lead(Pb)-free packages VSC3108XVP and VSC3108XSX.
- Thermal specifications were added for the VSC3108XVP, VSC3108SX, and VSC3108XSX packages.

Revision 4.0

Revision 4.0 of this datasheet was published on April 21, 2004. This was the first production-level publication of the document.

Functional Descriptions

Power-On RESET

The VSC3108 has a built-in power-on reset function to ensure the matrix is properly configured as the chip powers up. After the power-on-reset, or when the $\overline{\text{RESET}}$ pin has been asserted, the switch is configured in an “all outputs off” state. The switch then draws additional power as each output is programmed. Care must be taken to keep power supply above 2.25 Vdc by providing adequate supply decoupling.

Software Power-Down

With the software power-down feature, unused outputs may be disabled by setting the MSB of the DATA bus to ‘1’ and executing a write to the register associated with the output (00’h to 07’h) that is to be shut down. Programming a valid input address reactivates the channel. It is recommended that any changes in programming that effect power be executed only as part of an initialization sequence. This guards against the effects of any switching transients that might result from a sudden change in the power supply current.

Output Pre-Emphasis

Pre-emphasis at the output driver decreases deterministic jitter and increases signal amplitude of the signal after traveling through PCB traces and between devices. The output pre-emphasis is adjustable to compensate for different trace lengths and board characteristics. The settings in the Pre-emphasis Configuration register allow the user to choose between 16 different relaxation times for the signal amplitude boost.

The effectiveness of a given setting depends on both the length of the trace and the properties of the surrounding dielectric. This control can be applied either to all the outputs globally or to each output individually. [Register 1](#) on page 10 shows the format for programming the pre-emphasis globally and [Register 2](#) on page 10 shows the individual registers. To identify the correct address for programming the pre-emphasis setting of an individual output, the number of the output is added to the base address, 10’h.

Pre-emphasis must be enabled in the Output Configuration register before the pre-emphasis settings will take effect. Output pre-emphasis is only available with nominal boost output level settings. Pre-emphasis is not available in the high output level setting.

Pre-Emphasis Enable

In addition to setting a pre-emphasis level, the pre-emphasis enable bit must be set in order to use the pre-emphasis feature of the output buffers. This control can be set either globally or individually. Setting the Global Output Configuration register affects all outputs and changes all of the settings in the register. For example, setting the global pre-emphasis also sets the output levels and output signal states for all of the outputs. The Individual Output Configuration registers allow each output to be configured independently. To identify the correct address for programming the configuration setting of an individual output, the number of the output is added to the base address, 18’h.

PRBS Generator/Detector

The PRBS Generator/Detector is capable of generating and detecting four NRZ patterns: 2^7-1 , $2^{10}-1$, $2^{23}-1$, as well as a 10-bit, user-defined pattern. The main purpose of the PRBS Generator/Detector is switch diagnostics and signal tracing. See the block diagram of the PRBS Generator in [Figure 2](#) on page 3. The data rate of the PRBS Generator/Detector is determined by the external clock signal to a maximum of 4 Gbps. The PRBS output data is clocked on the

rising edge of the clock. The PRBS function controls are located in the PRBS Configuration registers at addresses 28'h to 2F'h.

The PRBS Generator is enabled by writing '1' into bit 0 of register 28'h. Pattern length is selected using register 28'h, bits 3 and 2. Setting '00' generates the pattern 2^7-1 , setting '01' generates $2^{10}-1$, and '10' generates $2^{23}-1$. Setting '11' generates the user-defined pattern. It is possible to invert the pattern by writing a '1' into register 28'h, bit 1.

The PRBS Detector uses the same clock as the PRBS Generator. See the block diagram of the PRBS Detector in [Figure 3](#) on page 3. It may be necessary to invert CLK in order to compensate for the phase difference between data input and the clock signal. The PRBS Detector is enabled by writing a '1' into bit 0 of register 29'h. The detector pattern length is selected by bits 3 and 2 of register 29'h, respectively: '00' represents pattern 2^7-1 , '01' represents $2^{10}-1$, '10' represents $2^{23}-1$, and '11' represents a user-defined pattern. It is possible to invert the PRBS pattern that is coming into the pattern detector by asserting '1' in register 29'h, bit 1. This is used to detect an inverted pattern from the PRBS Generator.

The 10-bit, user-defined pattern spans three, 4-bit registers at 2B'h, 2C'h, and 2D'h. Once the pattern has been set in the appropriate registers, it must be loaded into the PRBS Generator. To execute the pattern load operation, bit 0 in register 2A'h must be held HIGH for at least one clock cycle of the PRBS clock. The new pattern does not become active until the same load bit is de-asserted to '0'.

The Error Detector is not enabled until the Pattern Detector matches the pattern coming into the Detector. It can take up to 30 clock cycles to match the pattern. If an error is detected, bit 1 of register 2F'h is set to '1'. The error bit is cleared on READ. Bit 0 of register 2F'h mimics the PRBS_ERR bit and may toggle while \overline{RD} is held LOW.

Output Level

Two different output levels can be programmed for all outputs. The nominal output level is 650 mV peak-to-peak (p-p) differential and the high output level is 1300 mVp-p differential. This control can be set both globally and individually. Setting the Global Output Configuration register affects all outputs and changes all the settings in the register. For example, setting the global output level also sets the pre-emphasis enable and output signal states for all the outputs. The Individual Output Configuration registers allow each output to be configured independently. To identify the correct address for programming the configuration setting of an individual output, the number of the output is added to the base address, 18'h.

Boost Mode

In addition to the regular drive settings, a boost mode is available that adds approximately 100-200 mV to the drive level of the programmed output. The level of boost depends upon both the current drive setting and the chip power supply voltage. Both the higher drive setting and higher supply voltages increases the boost level. By using the boost function, the output swing can be user-adjusted by controlling the power supply voltage (within the specified maximum limits).

The boost function is activated with a separate set of registers, 0D'h and 0E'h. Setting each bit in the register activates the boost function for its respective output. The LSB of 0D'h corresponds to output 0, LSB+1 corresponds to output 1, and so on. Register 0E'h controls the boost function for outputs 4 through 7 in the same manner. [Register 4](#), "Individual Output Boost Mode Configuration," on page 11 summarizes the Boost mode register configuration, relating the bit settings to individual output channels.

Note that activating the boost function overrides power-down programming operations through the connection registers. The result of a power-down connection leaves the output powered and operational, but with a low level output swing. To assure complete power-down of a given output, be sure to clear its respective bit in the boost register.

Output Signal State

Manipulating the output signal state bits permits the user to force a DC signal of either polarity onto all of the outputs. With the bits set to '00', the outputs operate normally and pass the NRZ data from the connected input. Selecting any of the other three possible states overrides the output signal and sets all outputs to a DC state as described in [Register 3](#), "Global Output Configuration," on page 10 and [Register 5](#), "Individual Output Configuration," on page 11. This control can be set both globally and individually. Setting the Global Output Configuration register affects all outputs and changes all the settings in the register. For example, setting the global output state also sets the output levels and the pre-emphasis enable for all of the outputs. The Individual Output Configuration registers allow each output to be configured independently. To identify the correct address for programming the configuration setting of an individual output, the number of the output is added to the base address, 18'h.

Equalization State

Adjusting the Input Signal Equalization (ISE) input setting changes the input response of the input buffers. Four levels of equalization are available ranging from "off," which provides no additional equalization, through "maximum," which provides the greatest amount of equalization. Less equalization is useful for shorter trace lengths, and more equalization helps compensate for signal degradation due to long trace lengths. This control can be set either globally or individually. Setting the Global Input Equalization register affects all inputs. The Individual Input Equalization registers allow each input to be configured independently. To identify the correct address for programming the ISE setting of an individual output, the number of the input is added to the base address, 20'h.

Programming Interface

The VSC3108 programming interface uses a non-multiplexed address/data bus. The conventions listed in [Table 1](#) are used when describing the programming interface.

Table 1. Conventions

Convention	Description
SIGNAL NAME	Active HIGH signal
$\overline{\text{SIGNAL NAME}}$	Active LOW signal
ADDR	Identifies OUTPUT channel to be programmed
DATA	Identifies INPUT channel to be programmed
'1'	A logic level high signal. Also denoted by "HIGH"
'0'	A logic level low signal. Also denoted by "LOW"

Register Use

All registers are accessed in the manner described in the programming interface description read and write functions. Each register has a corresponding address which, when written to with a data word, alters the functions defined for that register as described by the registers listed in “Registers”, page 9. Except for a ‘1’ in bit 3 of each Switch Array register, all bits in all registers initialize to ‘0’. The first register table, Table 3, page 9, is a summary that provides an overview of the information in the other register tables. The register tables following Table 3 consist of detailed descriptions of the functions controlled in each register.

Write Operation

A write operation is completed when the \overline{WR} signal is strobed LOW. On the rising edge of the \overline{WR} signal the value that is present on the DATA bus is latched into the register identified by the ADDR bus. Figure 4 on page 17 shows the programming sequence for parallel mode write operations.

Parallel Mode—Read Operation

The VSC3108 supports parallel readback to verify programming information in the switch fabric and the various configuration registers. Upon assertion of the \overline{RD} signal LOW, the device reverses the direction of the DATA bus and asserts the requested data out onto the DATA pins. The read data will remain valid until $\overline{RD} = '1'$. Figure 4 on page 17 shows the programming sequence for parallel mode read operations.

Switch Configuration

Table 2. Switch Array Connection Examples

Output ADDR[5:0]	Input DATA[3:0]	Description	R/W
00000'b	0000'b	Program output Y0 to input A0	R/W
00001'b	0000'b	Program output Y1 to input A0	R/W
00010'b	0000'b	Program output Y2 to input A0	R/W
⋮	⋮	⋮	⋮
00111'b	0000'b	Program output Y7 to input A0	R/W
⋮	⋮	⋮	⋮
00000'b	0111'b	Program output Y0 to input A7	R/W
00001'b	0111'b	Program output Y1 to input A7	R/W
00010'b	0111'b	Program output Y2 to input A7	R/W
⋮	⋮	⋮	⋮
00111'b	0111'b	Program output Y7 to input A7	R/W

Registers

Table 3. Register Map

Name	ADDR[5:0]	DATA[3:0]			
		Bit 3	Bit 2	Bit 1	Bit 0
Switch Array Connection	0'h – 07'h	0'h through 7'h connects to input. 8'h through F'h turns off outputs specified in ADDR.			
Global Pre-Emphasis Duration	08'h	Min = 0'h, Max = F'h			
Global Output Configuration	09'h	00 = No effect 01 = Force all outputs to 0 10 = Force all outputs to 1 11 = Force all outputs to 0		1 = HIGH Power 0 = Nominal Power	1 = Pre-emphasis ON 0 = Pre-emphasis OFF
Global Input Signal Equalization	0A'h	Not used. Resets to 0. Leave at 0 for normal operation.	000 = OFF 001 = Minimum 011 = Medium 111 = Maximum		
Individual Boost Mode	0D'h	Output 3 1 = Boost ON 0 = Boost OFF	Output 2 1 = Boost ON 0 = Boost OFF	Output 1 1 = Boost ON 0 = Boost OFF	Output 0 1 = Boost ON 0 = Boost OFF
Individual Boost Mode	0E'h	Output 7 1 = Boost ON 0 = Boost OFF	Output 6 1 = Boost ON 0 = Boost OFF	Output 5 1 = Boost ON 0 = Boost OFF	Output 4 1 = Boost ON 0 = Boost OFF
Individual Pre-Emphasis Duration	10'h – 17'h	Minimum = 0'h, Maximum = F'h			
Individual Output Configuration	18'h – 1F'h	00 = No effect 01 = Force all outputs to 0 10 = Force all outputs to 1 11 = Force all outputs to 0		1 = HIGH Power 0 = Nominal Power	1 = Pre-emphasis ON 0 = Pre-emphasis OFF
Individual Input Signal Equalization	20'h – 27'h	Resets to 0. Leave at 0 for normal operation.	000 = OFF 001 = Minimum 011 = Medium 111 = Maximum		
PRBS Generator Configuration	28'h	Generator pattern 00 = $2^7 - 1$, 01 = $2^{10} - 1$, 10 = $2^{23} - 1$		1 = Invert pattern 0 = Normal pattern	1 = Enable generator 0 = Disable generator
PRBS Detector Configuration	29'h	Detector pattern 00 = $2^7 - 1$, 01 = $2^{10} - 1$, 10 = $2^{23} - 1$		1 = Invert pattern 0 = Normal pattern	1 = Enable detector 0 = Disable detector
PRBS User Pattern Select	2A'h	Not used. Resets to zero. Leave at zero for normal operation.			1 = Latch user pattern 0 = Normal operation
PRBS User-Defined Pattern	2B'h	Bits [3:0] of user pattern [9:0]			
PRBS User-Defined Pattern	2C'h	Bits [7:4] of user pattern [9:0]			
PRBS User-Defined Pattern	2D'h	Not used.		Bits [9:8] of user pattern [9:0]	

Downloaded by data_acq@partminer.com on May 4, 2008 from Vitesse.com

Output Configuration

Register 1: Global Pre-Emphasis Setting

Name: Global Pre-Emphasis Setting		Address: 08'h	
Type: R/W			
Description: Adjusts pre-emphasis for varying line lengths.			
Bit	Bit Description	Reset Value	R/W
3-0	Range 0 to 15 0000 = 450 ps 0001 = ~450 ps to 1111 = ~700 ps	0'h	R/W

Register 2: Individual Pre-Emphasis Setting

Name: Individual Pre-Emphasis Setting		Address: 10'h – 17'h	
Type: R/W			
Description: Adjusts pre-emphasis for varying line lengths.			
Bit	Bit Description	Reset Value	R/W
3-0	Range 0 to 15 0000 = 450 ps 0001 = ~450 ps to 1111 = ~700 ps	0'h	R/W

Register 3: Global Output Configuration

Name: Global Output Configuration		Address: 09'h	
Type: R/W			
Description: Sets output state, level and enable pre-emphasis.			
Bit	Bit Description	Reset Value	R/W
3-2	Output Signal State 00 = Normal operation 01 = All outputs are set to 0 10 = All outputs are set to 1 11 = All outputs are set to 0	00	R/W
1	Output Level 0 = Nominal level output 1 = High level output	0	R/W
0	Pre-Emphasis Enable 0 = Pre-emphasis disabled 1 = Pre-emphasis enabled	0	R/W

Register 4: Individual Output Boost Mode Configuration

Name: Boost Mode Enable/Disable		Address: 0D'h	
Type: R/W			
Description: Activate/de-activate Boost mode for corresponding output channels.			
Bit	Bit Description	Reset Value	R/W
3	0 = Boost mode OFF for output 3 1 = Boost mode ON for output 3	0	R/W
2	0 = Boost mode OFF for output 2 1 = Boost mode ON for output 2	0	R/W
1	0 = Boost mode OFF for output 1 1 = Boost mode ON for output 1	0	R/W
0	0 = Boost mode OFF for output 0 1 = Boost mode ON for output 0	0	R/W
Name: Boost Mode Enable/Disable		Address: 0E'h	
Type: R/W			
Description: Activate/de-activate Boost mode for corresponding output channels.			
Bit	Bit Description	Reset Value	R/W
3	0 = Boost mode OFF for output 7 1 = Boost mode ON for output 7	0	R/W
2	0 = Boost mode OFF for output 6 1 = Boost mode ON for output 6	0	R/W
1	0 = Boost mode OFF for output 5 1 = Boost mode ON for output 5	0	R/W
0	0 = Boost mode OFF for output 4 1 = Boost mode ON for output 4	0	R/W

Register 5: Individual Output Configuration

Name: Individual Output Configuration		Address: 18'h – 1F'h	
Type: R/W			
Description: Sets output state, level, and enable pre-emphasis.			
Bit	Bit Description	Reset Value	R/W
3-2	Output Signal State 00 = Normal operation 01 = All outputs are set to 0 10 = All outputs are set to 1 11 = All outputs are set to 0	00	R/W
1	Output Level 0 = Nominal level output 1 = High level output	0	R/W
0	Pre-Emphasis Enable 0 = Pre-emphasis disabled 1 = Pre-emphasis enabled	0	R/W

Input Configuration

Register 6: Global Input Equalization

Name: Global Input Equalization		Address: 0A'h	
Type: R/W			
Description: Adjusts the input equalization.			
Bit	Bit Description	Reset Value	R/W
3	Not used	0	
2-0	Equalization State 000 = No equalization 001 = Minimum equalization 011 = Medium equalization 111 = Maximum equalization	000	R/W

Register 7: Individual Input Equalization

Name: Individual Input Equalization		Address: 20'h – 27'h	
Type: R/W			
Description: Adjusts the input equalization.			
Bit	Bit Description	Reset Value	R/W
3	Not used	0	
2-0	Equalization State 000 = No equalization 001 = Minimum equalization 011 = Medium equalization 111 = Maximum equalization	000	R/W

PRBS Control

Register 8: PRBS Generator Configuration

Name: PRBS Generator Configuration		Address: 28'h	
Type: R/W			
Description: Configures the operating mode of the on-chip PRBS generator.			
Bit	Bit Description	Reset Value	R/W
3-2	Select PRBS generator pattern length 11 = 10-bit, user-defined pattern 10 = $2^{23}-1$ 01 = $2^{10}-1$ 00 = 2^7-1	00	R/W
1	PRBS output pattern 0 = Non-inverted pattern 1 = Inverted pattern	0	R/W
0	PRBS generator control 0 = Disable PRBS generator 1 = Enable PRBS generator	0	R/W

Register 9: PRBS Detector Configuration

Name: PRBS Detector Configuration		Address: 29'h	
Type: R/W			
Description: Configures the operating mode of the on-board PRBS error detector.			
Bit	Bit Description	Reset Value	R/W
3-2	Error counter length control 11 = 10-bit, user-defined pattern 10 = $2^{23}-1$ 01 = $2^{10}-1$ 00 = 2^7-1	00	R/W
1	PRBS input pattern 0 = Non-inverted PRBS input 1 = Inverted PRBS input	0	R/W
0	PRBS receiver control 0 = Disable PRBS detector 1 = Enable PRBS detector	0	R/W

Register 10: PRBS Error Status

Name: PRBS Error Status		Address: 2F'h	
Type: R/W			
Description: Reports error status from the on-board PRBS detector.			
Bit	Bit Description	Reset Value	R/W
3-2	Not used	00	
1	Latched Error (cleared on read) 0 = No errors detected since last read 1 = At least one error since last time register was read	0	Read Only
0	Unlatched Error Strobe (may toggle during read) 0 = No error 1 = One or more errors detected	0	Read Only

Register 11: PRBS User-Defined Pattern Control

Name: PRBS User-Defined Pattern Control		Address: 2A'h	
Type: R/W			
Description: Reports error status from the on-board PRBS detector.			
Bit	Bit Description	Reset Value	R/W
3-1	Not used	000	
0	Load User-defined pattern 0 = User pattern active when selected in the PRBS generator configuration 1 = Load user pattern. Must remain high for one PRBS_CLK cycle.	0	R/W

Register 12: PRBS User-Defined Pattern 1

Name: PRBS User-Defined Pattern 1		Address: 2B'h	
Type: R/W			
Description: Defines pattern used by the PRBS generator.			
Bit	Bit Description	Reset Value	R/W
3-0	Bits [3:0] of the 10-bit user-defined pattern	0000	R/W

Register 13: PRBS User-Defined Pattern 2

Name: PRBS User-Defined Pattern 2		Address: 2C'h	
Type: R/W			
Description: Defines pattern used by the PRBS generator.			
Bit	Bit Description	Reset Value	R/W
3-0	Bits [7:4] of the 10-bit user-defined pattern	0000	R/W

Register 14: PRBS User-Defined Pattern 3

Name: PRBS User-Defined Pattern 3		Address: 2D'h	
Type: R/W			
Description: Defines pattern used by the PRBS generator.			
Bit	Bit Description	Reset Value	R/W
3-2	Not used	00	R/W
1-0	Bits [9:8] of the 10-bit, user-defined pattern	00	R/W

Electrical Specifications

All specifications are qualified under recommended operating conditions unless stated otherwise.

Maximum Ratings

Table 4. Absolute Maximum Ratings

Symbol	Parameter	Minimum	Maximum	Unit
V_{CC}	Power supply voltage, potential to GND	-0.5	3.5	V
	DC input voltage applied (TTL)	-0.5	$V_{DD0} + 1.0$	V
	DC input voltage applied (CML)	-0.5	$V_{CC} + 0.5$	V
I_{OUT}	Output current	-50	50	mA
T_C	Case temperature under bias	-30	25	°C
T_S	Storage temperature	-40	125	°C
V_{ESD}	Electrostatic discharge voltage (human body model)	-500	500	V

Stresses listed under Absolute Maximum Ratings may be applied to devices one at a time without causing permanent damage. Functionality at or above the values listed is not implied. Exposure to these values for extended periods may affect device reliability.



ELECTROSTATIC DISCHARGE

This device can be damaged by ESD. Vitesse recommends that all integrated circuits be handled with appropriate precautions. Failure to observe proper handling and installation procedures may adversely affect reliability of the device.

Operating Conditions

Table 5. Recommended Operating Conditions

Symbol	Parameter	Minimum	Typical	Maximum	Unit
V_{CC}	Power supply voltage	2.375	2.5	2.625	V
V_{DD0}	Power supply voltage, programming port ^(1, 2)		2.5 or 3.3		V
T	Operating temperature range ⁽³⁾	0		110	°C

1. All timing specifications and diagrams reflect 3.3 V.
2. Must track V_{CC} when $V_{DD0} = 2.5$ V.
3. Lower limit of specification is ambient temperature and upper limit is die backside temperature.

AC Characteristics

Table 6. High-Speed Data Inputs (A, \bar{A})⁽¹⁾

Symbol	Parameter	Typical	Maximum	Unit	Condition
DR _A	Serial NRZ input data rate		6.5	Gbps	Minimum data rate will be limited by the AC-coupling capacitor value (if AC-coupled).
t _{PD-AY}	Propagation delay from any A input to any Y output	500		ps	
t _{SKEW}	Output channel-to-channel delay skew	20	60	ps	
t _{R-A} , t _{F-A}	Serial data input rise and fall times		200	ps	20% to 80%
D _{PRBS-DET}	PRBS detector rate		4.0	Gbps	4.0 GHz differential PRBS clock.

1. Inputs are guaranteed by characterization.

Table 7. High-Speed Data Outputs (Y, \bar{Y})⁽¹⁾

Symbol	Parameter	Minimum	Typical	Maximum	Unit	Condition
DR _Y	Serial NRZ output data rate			6.5	Gbps	Minimum data rate will be limited by the AC-coupling capacitor value (if AC-coupled).
t _{Jp-p}	Serial output data added delay jitter, peak-peak ⁽²⁾			20	ps	
t _{R-Y} , t _{F-Y}	Serial output data rise and fall times		50	80	ps	20% to 80% With 50 Ω to V _{CC} .
DC _Y	Serial data output duty cycle	40	50	60	%	Only relevant with 101010 input data patterns.
D _{PRBS-DET}	PRBS detector rate			4.0	Gbps	4.0 GHz differential PRBS clock.

1. Outputs are guaranteed by characterization.

2. Broadband (unfiltered) deterministic jitter added to input: 2²³-1 PRBS data pattern.

Table 8. Program Interface

Symbol	Parameter	Minimum	Maximum	Unit
t _{pwl} \overline{WR}	Pulse width for \overline{WR} LOW	4		ns
t _{pwh} \overline{WR}	Pulse width for \overline{WR} HIGH	4		ns
t _s \overline{WR}	Setup time from DATA[3:0] stable to rising edge of \overline{WR}	4		ns
t _h \overline{WR}	Hold time for DATA[3:0] after rising edge of \overline{WR}	4		ns
t _{pwl} \overline{RD}	Pulse width for \overline{RD} LOW	24		ns
t _{pwh} \overline{RD}	Pulse width for \overline{RD} HIGH	4		ns

Table 8. Program Interface

Symbol	Parameter	Minimum	Maximum	Unit
$t_{h\overline{RD}}$	Hold time for ADDR[5:0] after rising edge of \overline{RD}	3		ns
$t_{dirDATA}$	Time required for ADDR/DATA bus to change direction	3	8	ns
$t_{vidDATA}$	Time until data valid after falling \overline{RD}		20	ns

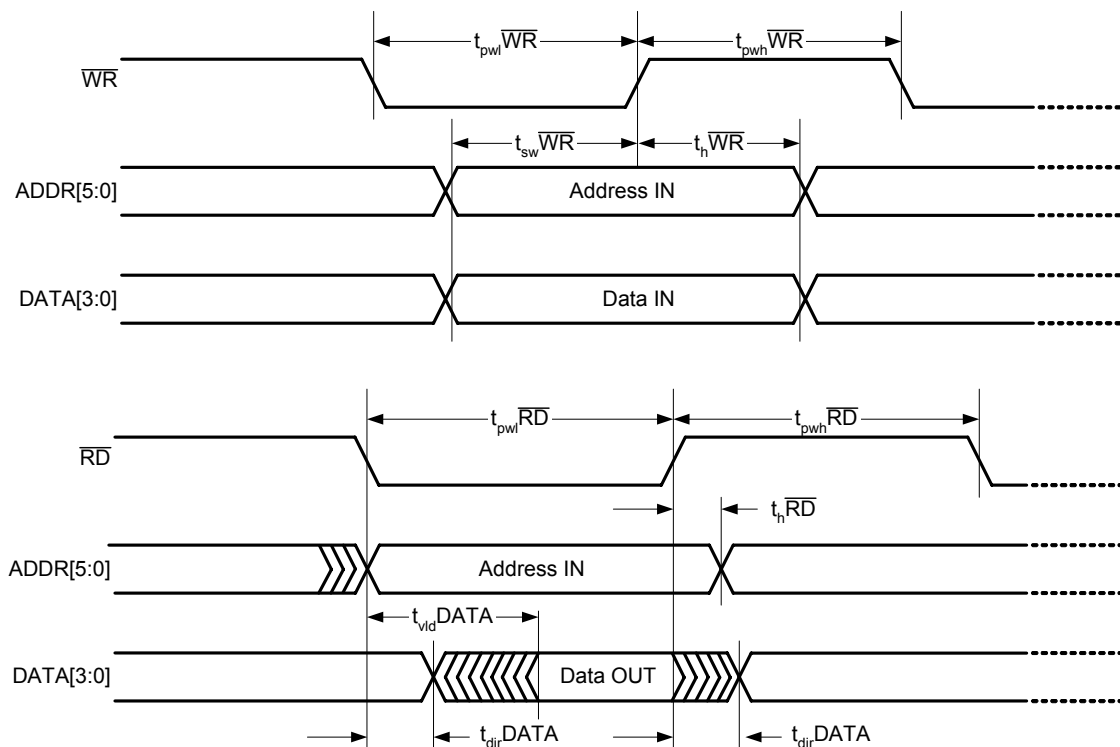


Figure 4. Parallel Mode Timing

DC Characteristics

Table 9. High-Speed Data Inputs (A, \bar{A}) — Differential CML

Symbol	Parameter	Minimum	Typical	Maximum	Unit	Condition
V_{A-DE}	Voltage input swing (differential drive)	100		2400	mVp-p	Differential peak-to-peak.
V_{ICM}	Input common-mode voltage	1.0	2	$V_{CC} - 0.3$	V	
R_{IN-A}	Input resistance	80	100	120	Ω	Between true and complement inputs.

Table 10. High-Speed Data Outputs (Y, \bar{Y}) — Differential CML

Symbol	Parameter	Minimum	Typical	Maximum	Unit	Condition
V_{OUT-LD}	Serial data output voltage swing: Low Drive mode	505	650	850	mVp-p	Peak-to-peak differential amplitude between true and complement outputs terminated with 50 Ω to V_{CC} .
V_{OUT-HD}	Serial data output voltage swing: High Drive mode	1000	1300	1700	mVp-p	Peak-to-peak differential amplitude between true and complement outputs terminated with 50 Ω to V_{CC} .
R_{OUT-Y}	Back-terminated output resistance	40	50	60	Ω	See Figure 5 on page 20.

Table 11. LVTTTL/CMOS Inputs

Symbol	Parameter	Minimum	Maximum	Unit	Condition
V_{IH}	Input HIGH voltage	1.7	$V_{DD0} + 1.0$	V	$V_{DD0} = 2.5 \text{ V}/3.3 \text{ V}$
V_{IL}	Input LOW voltage	0	0.8	V	$V_{DD0} = 2.5 \text{ V}/3.3 \text{ V}$
I_{IH}	Input HIGH current		100	μA	
I_{IL}	Input LOW current	-100		μA	

Table 12. LVTTTL/CMOS Outputs

Symbol	Parameter	Minimum	Maximum	Unit	Condition
V_{OH}	Output HIGH voltage	$V_{DD0} - 0.2$	V_{DD0}	V	DC load < 500 μA
V_{OL}	Output LOW voltage	0	0.2	V	DC load < 2 mA

Table 13. Power Supply Requirements

Symbol	Parameter	Minimum	Typical	Maximum	Unit	Condition
V_{CC}	Power supply voltage ⁽¹⁾	2.375	2.5	2.625	V	±5% tolerance
V_{DD0}	Power supply voltage, programming port ^(1, 2)		2.5 or 3.3		V	
$P_{D-LDPRBS}$	Total power dissipation: Nominal drive mode with PRBS			2.7	W	
$P_{D-HDPRBS}$	Total power dissipation: High drive mode with PRBS			3.3	W	
P_{D-LD}	Total power dissipation: Nominal drive mode			2.1	W	
P_{D-HD}	Total power dissipation: High drive mode			2.65	W	

1. All timing specifications and diagrams reflect 3.3 V.
2. Must track V_{CC} when $V_{DD0} = 2.5$ V.

I/O Equivalent Circuits

Input Termination

Termination resistor pairs are isolated between each input to minimize crosstalk. The termination will self-bias to 2.0 V (nominal) for AC-coupled applications.

All input data must be differential and nominally biased to 2.0 V relative to V_{EE} or AC-coupled. Internal terminations are provided with nominally 50 Ω from the true and complement inputs to a common bias point.

Output Termination

The high-speed outputs of the VSC3108 are current sinks, internally back-terminated by 50 Ω pull-up resistors to the positive supply rail. Typical DC terminations are 50 Ω pull-ups to the positive supply rail, 50 Ω terminations to 2.0 V, and 100 Ω from true to complement.

Data outputs are provided through differential current switches with on-chip 50 Ω back-termination. Two drive levels are provided to facilitate power and noise margin optimization on a per-output basis.

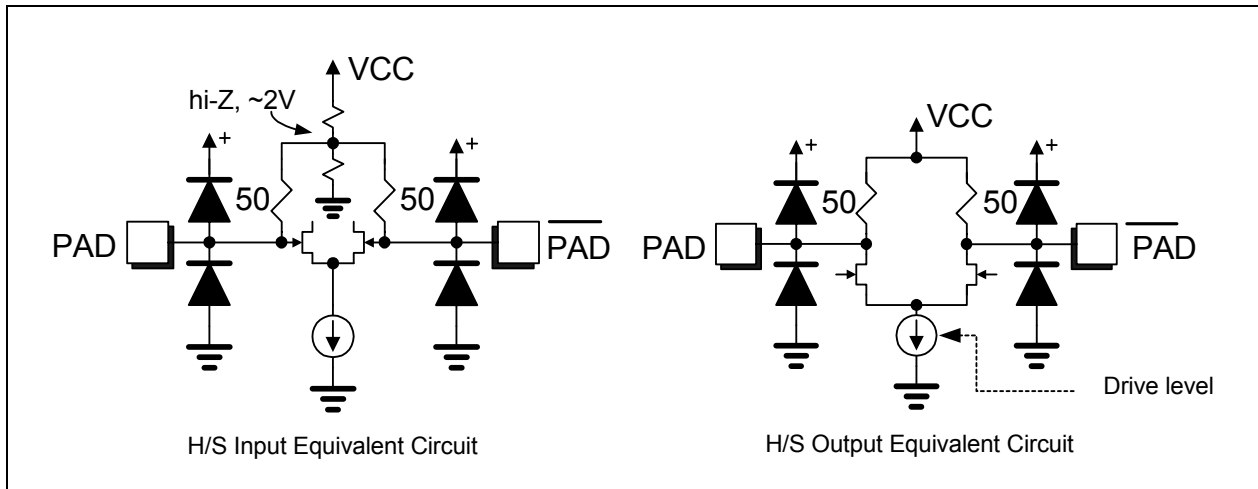


Figure 5. Input and Output Equivalent Circuits

PRBS Clock Input

The PRBS Clock Input must have a common-mode bias of no less than 2.2 V in order to maintain specified sensitivity. Direct coupling a high-speed switch output to the PRBS Clock Input will meet this requirement, as will any CML driver with less than 600 mV peak-to-peak swing. In cases where the common-mode bias cannot be controlled, AC-coupling is recommended, using the diagram shown in Figure 6.

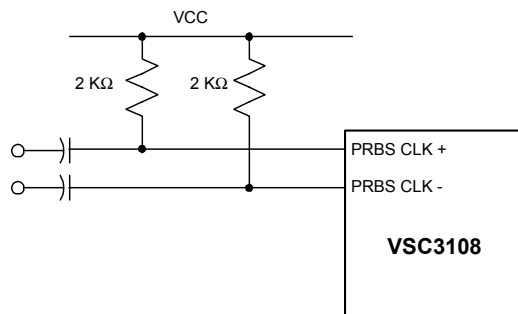


Figure 6. AC-Coupling for the PRBS Clock Input

Package Information

The VSC3108 device is available in several packages. VSC3108VP and VSC3108VP-01 have a 69-pin ceramic ball grid array (CBGA) with an 8 mm × 8 mm body size and a 0.8 mm pin pitch. VSC3108SX and VSC3108SX-01 have a 69-pin CBGA with a 10 mm × 10 mm body size and a 1.0 mm pin pitch. VSC3108 is also available in lead(Pb)-free packages designated as VSC3108XVP, VSC3108XVP-01, VSC3108XSX, and VSC3108XSX-01.

Lead(Pb)-free products from Vitesse comply with the temperatures and profiles defined in the joint IPC and JEDEC standard IPC/JEDEC J-STD-020. For more information, see the IPC and JEDEC standard.

This section provides package information including the pin diagram and pin descriptions, package drawings, thermal specifications, and moisture sensitivity information.

Pin Diagram

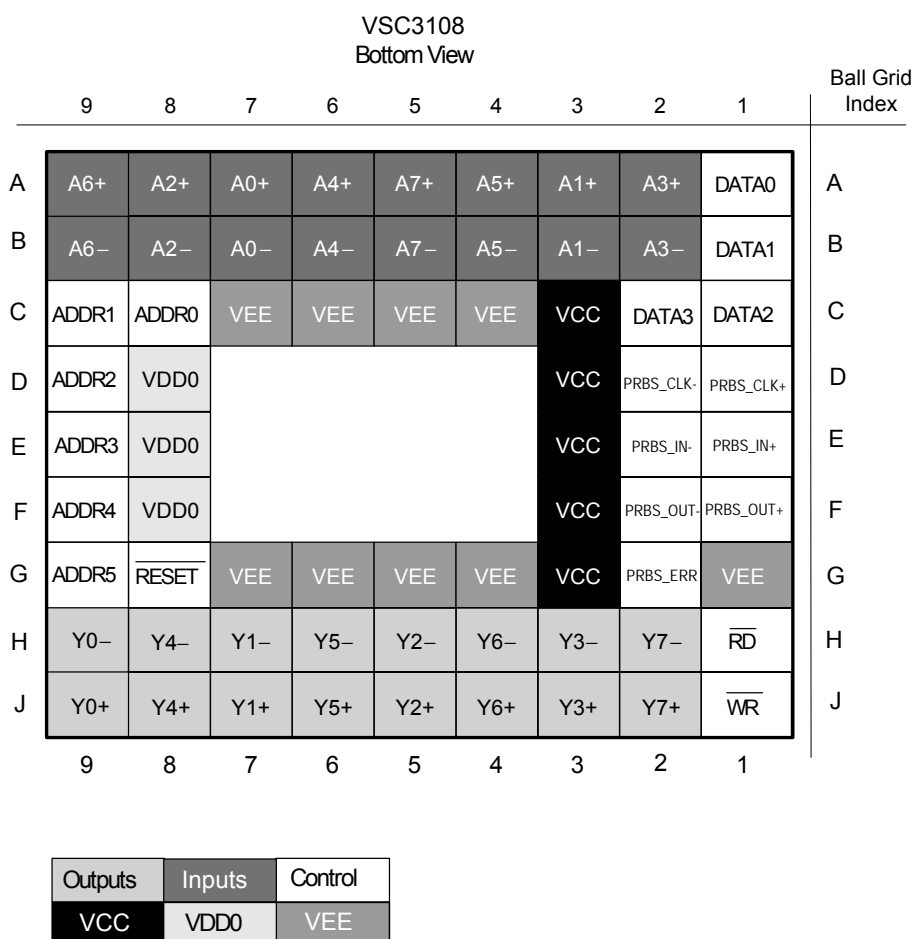


Figure 7. Pin Diagram

Pinout Information

Table 14. Ball Identifications

Signal	Pin Number	I/O	Level	Description
High-Speed Data Inputs				
A0-	B7	I	CML	Data input channel 0; complement
A0+	A7	I	CML	Data input channel 0; true
A1-	B3	I	CML	Data input channel 1; complement
A1+	A3	I	CML	Data input channel 1; true
A2-	B8	I	CML	Data input channel 2; complement
A2+	A8	I	CML	Data input channel 2; true
A3-	B2	I	CML	Data input channel 3; complement
A3+	A2	I	CML	Data input channel 3; true
A4-	B6	I	CML	Data input channel 4; complement
A4+	A6	I	CML	Data input channel 4; true
A5-	B4	I	CML	Data input channel 5; complement
A5+	A4	I	CML	Data input channel 5; true
A6-	B9	I	CML	Data input channel 6; complement
A6+	A9	I	CML	Data input channel 6; true
A7-	B5	I	CML	Data input channel 7; complement
A7+	A5	I	CML	Data input channel 7; true
High-Speed Data Outputs				
Y0-	H9	O	CML	Data output channel 0; complement
Y0+	J9	O	CML	Data output channel 0; true
Y1-	H7	O	CML	Data output channel 1; complement
Y1+	J7	O	CML	Data output channel 1; true
Y2-	H5	O	CML	Data output channel 2; complement
Y2+	J5	O	CML	Data output channel 2; true
Y3-	H3	O	CML	Data output channel 3; complement
Y3+	J3	O	CML	Data output channel 3; true
Y4-	H8	O	CML	Data output channel 4; complement
Y4+	J8	O	CML	Data output channel 4; true
Y5-	H6	O	CML	Data output channel 5; complement
Y5+	J6	O	CML	Data output channel 5; true
Y6-	H4	O	CML	Data output channel 6; complement
Y6+	J4	O	CML	Data output channel 6; true
Y7-	H2	O	CML	Data output channel 7; complement
Y7+	J2	O	CML	Data output channel 7; true
Control Pins				
ADDR0	C8	I	LVTTTL	Address/data bus bit 0
ADDR1	C9	I	LVTTTL	Address/data bus bit 1

Table 14. Ball Identifications (continued)

Signal	Pin Number	I/O	Level	Description
ADDR2	D9	I	LVTTTL	Address/data bus bit 2
ADDR3	E9	I	LVTTTL	Address/data bus bit 3
ADDR4	F9	I	LVTTTL	Address/data bus bit 4
ADDR5	G9	I	LVTTTL	Address/data bus bit 5
DATA0	A1	I/O	LVTTTL	Address/data bus bit 0
DATA1	B1	I/O	LVTTTL	Address/data bus bit 1
DATA2	C1	I/O	LVTTTL	Address/data bus bit 2
DATA3	C2	I/O	LVTTTL	Address/data bus bit 3
PRBS_CLK ⁺ (1)	D1	I	CML	PRBS external clock input; true
PRBS_CLK ⁻ (1)	D2	I	CML	PRBS external clock input; complement
PRBS_ERR	G2	O	LVTTTL	PRBS error detect
PRBS_IN+	E1	I	CML	PRBS detector input; true
PRBS_IN-	E2	I	CML	PRBS detector input; complement
PRBS_OUT+	F1	O	CML	PRBS generator output; true
PRBS_OUT-	F2	O	CML	PRBS generator output; complement
\overline{WR}	J1			Write enable, active low.
\overline{RD}	H1	I	LVTTTL	Read enable, active low.
\overline{RESET}	G8	I	LVTTTL	Address/data multiplexed bus reset, active low.

1. See Figure 6 on page 20 for special bias requirements.

Table 15. Power Supplies

Signal	Pin Number	Description
VCC	C3, D3, E3, F3, G3	Positive power supply, 2.5 V
VDD0	D8, E8, F8	Positive power supply for control port, V _{CC} /3.3 V
VEE	C4, C5, C6, C7, G1, G4, G5, G6, G7	Ground

Package Drawings

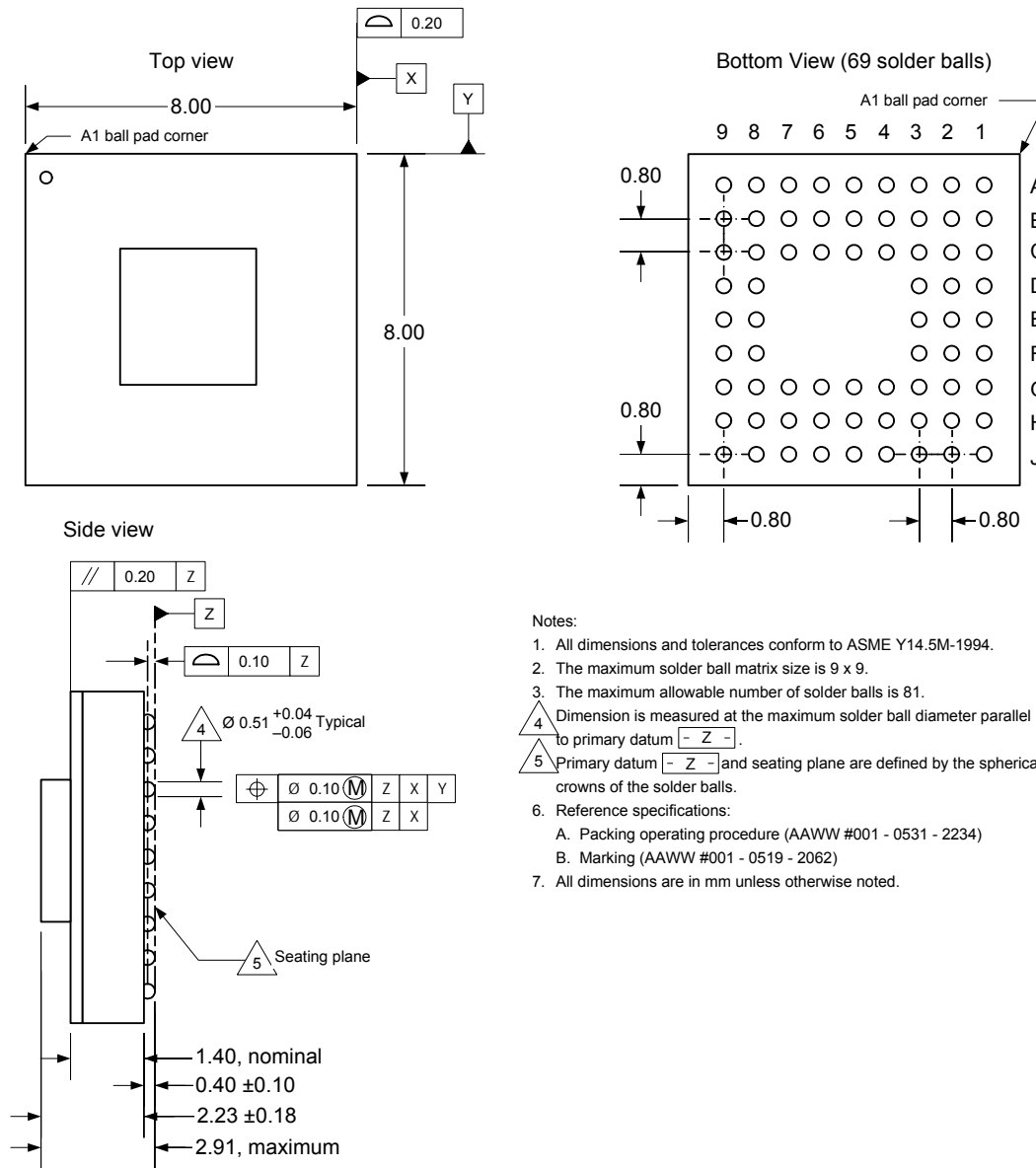
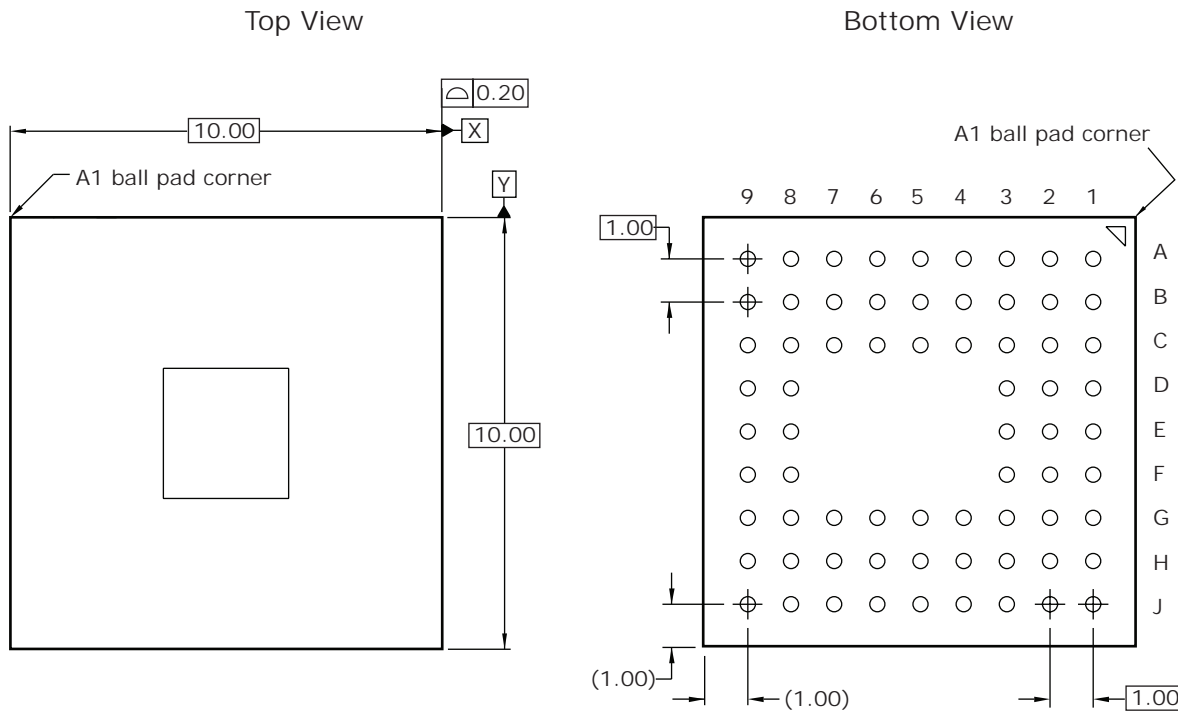
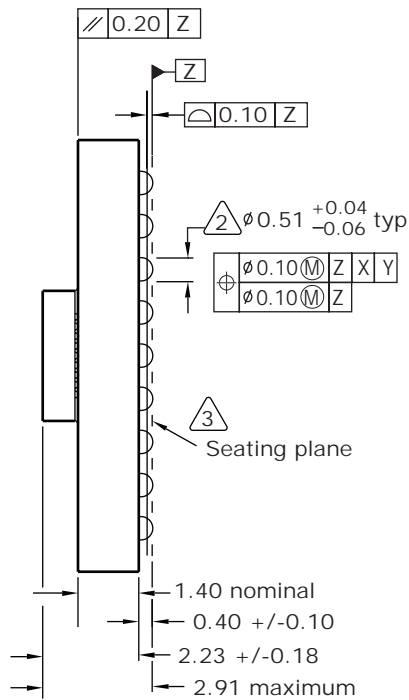


Figure 8. Package Drawing for 69-Pin CBGA (VP and XVP)



Side View



Notes

1. All dimensions and tolerances are in millimeters (mm).
2. Dimension is measured at the maximum solder ball diameter, parallel to primary datum Z.
3. Primary datum Z and seating plane are defined by the spherical crowns of the solder balls.

Figure 9. Package Drawing for 69-Pin CBGA (SX and XSX)

Downloaded by data_acq@partminer.com on May 4, 2008 from Vitesse.com

Thermal Specifications

Thermal specifications for this device are based on the JEDEC standard EIA/JESD51-2 and have been modeled using a four-layer test board with two signal layers, a power plane, and a ground plane (2s2p PCB). For more information, see the JEDEC standard.

Table 16. Thermal Resistances

Part Number	θ_{JC}	θ_{JA} (°C/W) vs. Airflow (ft/min)		
		0	100	200
VSC3108VP VSC3108VP-01	0.5	32	29	27
VSC3108XVP VSC3108XVP-01	0.5	32	29	27
VSC3108SX VSC3108SX-01	0.5	32	29	27
VSC3108XSX VSC3108XSX-01	0.5	32	29	27

To achieve results similar to the modeled thermal resistance measurements, the guidelines for board design described in the JEDEC standard EIA/JESD51 series must be applied. For information about specific applications, see the following:

EIA/JESD51-5, *Extension of Thermal Test Board Standards for Packages with Direct Thermal Attachment Mechanisms*

EIA/JESD51-7, *High Effective Thermal Conductivity Test Board for Leaded Surface Mount Packages*

EIA/JESD51-9, *Test Boards for Area Array Surface Mount Package Thermal Measurements*

EIA/JESD51-10, *Test Boards for Through-Hole Perimeter Leaded Package Thermal Measurements*

EIA/JESD51-11, *Test Boards for Through-Hole Area Array Leaded Package Thermal Measurements*

Moisture Sensitivity

This device is rated moisture sensitivity level 3 or better as specified in the joint IPC and JEDEC standard IPC/JEDEC J-STD-020. For more information, see the IPC and JEDEC standard.

Ordering Information

The VSC3108 device is available in several packages. VSC3108VP and VSC3108VP-01 have a 69-pin ceramic ball grid array (CBGA) with an 8 mm × 8 mm body size and a 0.8 mm pin pitch. VSC3108SX and VSC3108SX-01 have a 69-pin CBGA with a 10 mm × 10 mm body size and a 1.0 mm pin pitch. VSC3108 is also available in lead(Pb)-free packages designated as VSC3108XVP, VSC3108XVP-01, VSC3108XSX, and VSC3108XSX-01.

Lead(Pb)-free products from Vitesse comply with the temperatures and profiles defined in the joint IPC and JEDEC standard IPC/JEDEC J-STD-020. For more information, see the IPC and JEDEC standard.

VSC3108 6.5 Gbps 8x8 Asynchronous Crosspoint Switch

Part Number	Description
VSC3108VP VSC3108VP-01	69-pin CBGA, 8 mm x 8 mm body size, 0.8 mm pin pitch
VSC3108XVP VSC3108XVP-01	Lead(Pb)-free 69-pin CBGA, 8 mm x 8 mm body size, 0.8 mm pin pitch
VSC3108SX VSC3108SX-01	69-pin CBGA, 10 mm x 10 mm body size, 1.0 mm pin pitch
VSC3108XSX VSC3108XSX-01	Lead(Pb)-free 69-pin CBGA, 10 mm x 10 mm body size, 1.0 mm pin pitch

CORPORATE HEADQUARTERS

Vitesse Semiconductor Corporation
 741 Calle Plano
 Camarillo, CA 93012
 Tel: 1-800-VITESSE • FAX:1-(805) 987-5896

For application support, latest technical literature, and locations of sales offices,
 please visit our web site at
www.vitesse.com

Copyright © 2003–2004, 2007–2008 by Vitesse Semiconductor Corporation

PRINTED IN THE U.S.A

Vitesse Semiconductor Corporation ("Vitesse") retains the right to make changes to its products or specifications to improve performance, reliability or manufacturability. All information in this document, including descriptions of features, functions, performance, technical specifications and availability, is subject to change without notice at any time. While the information furnished herein is held to be accurate and reliable, no responsibility will be assumed by Vitesse for its use. Furthermore, the information contained herein does not convey to the purchaser of microelectronic devices any license under the patent right of any manufacturer.

Vitesse products are not intended for use in life support products where failure of a Vitesse product could reasonably be expected to result in death or personal injury. Anyone using a Vitesse product in such an application without express written consent of an officer of Vitesse does so at their own risk, and agrees to fully indemnify Vitesse for any damages that may result from such use or sale.

Vitesse Semiconductor Corporation is a registered trademark. All other products or service names used in this publication are for identification purposes only, and may be trademarks or registered trademarks of their respective companies. All other trademarks or registered trademarks mentioned herein are the property of their respective holders.