

ON Semiconductor

Is Now

onsemi™

To learn more about onsemi™, please visit our website at
www.onsemi.com

onsemi and **onsemi** and other names, marks, and brands are registered and/or common law trademarks of Semiconductor Components Industries, LLC dba "**onsemi**" or its affiliates and/or subsidiaries in the United States and/or other countries. **onsemi** owns the rights to a number of patents, trademarks, copyrights, trade secrets, and other intellectual property. A listing of **onsemi** product/patent coverage may be accessed at www.onsemi.com/site/pdf/Patent-Marking.pdf. **onsemi** reserves the right to make changes at any time to any products or information herein, without notice. The information herein is provided "as-is" and **onsemi** makes no warranty, representation or guarantee regarding the accuracy of the information, product features, availability, functionality, or suitability of its products for any particular purpose, nor does **onsemi** assume any liability arising out of the application or use of any product or circuit, and specifically disclaims any and all liability, including without limitation special, consequential or incidental damages. Buyer is responsible for its products and applications using **onsemi** products, including compliance with all laws, regulations and safety requirements or standards, regardless of any support or applications information provided by **onsemi**. "Typical" parameters which may be provided in **onsemi** data sheets and/or specifications can and do vary in different applications and actual performance may vary over time. All operating parameters, including "Typicals" must be validated for each customer application by customer's technical experts. **onsemi** does not convey any license under any of its intellectual property rights nor the rights of others. **onsemi** products are not designed, intended, or authorized for use as a critical component in life support systems or any FDA Class 3 medical devices or medical devices with a same or similar classification in a foreign jurisdiction or any devices intended for implantation in the human body. Should Buyer purchase or use **onsemi** products for any such unintended or unauthorized application, Buyer shall indemnify and hold **onsemi** and its officers, employees, subsidiaries, affiliates, and distributors harmless against all claims, costs, damages, and expenses, and reasonable attorney fees arising out of, directly or indirectly, any claim of personal injury or death associated with such unintended or unauthorized use, even if such claim alleges that **onsemi** was negligent regarding the design or manufacture of the part. **onsemi** is an Equal Opportunity/Affirmative Action Employer. This literature is subject to all applicable copyright laws and is not for resale in any manner. Other names and brands may be claimed as the property of others.

Ultra Small, Low Power, 4 Data Lane, 2:1 Switch for MIPI, SuperSpeed USB, PCIe and DisplayPort

Product Preview FSA636

Description

The FSA636 may be configured as a four data lane MIPI D-PHY, V2.1 switch or a three data lane MIPI C-PHY, V1.2 switch. This single pole, double throw (SPDT) switch is optimized for switching between both high speed and low power MIPI sources. The FSA636 is designed for the MIPI specification and allows connection to a CSI or DSI module. It may also be used for any high speed switching application with amplitudes of 2 V or less and is capable of a total data throughput of up to 23.9 Gbps.

Features

- Switch Type: SPDT (10x)
- Signal Type:
 - ◆ MIPI D-PHY V2.1
 - ◆ MIPI C-PHY V1.2
 - ◆ SuperSpeed USB
 - ◆ PCIe 2.0
 - ◆ DisplayPort HBR
- Input Signal: 0 V to 2 V
- V_{CC} : 1.5 to 5.0 V
- R_{ON} : 6 Ω Typical HS/LP MIPI
- ΔR_{ON} : 0.1 Ω Typical
- R_{ON_FLAT} : 0.9 Ω Typical
- I_{CCZ} : 1.0 μ A Maximum
- I_{CC} : 30 μ A Maximum
- O_{IRR} : -24 dB Typical
- Bandwidth: 4 GHz Typical
- Xtalk: -30 dB Typical
- C_{ON} : 1.5 pF Typical
- Skew: 6 ps Typical

Applications

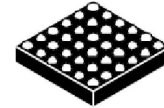
- Cellular Phones, Smart Phones
- Cameras
- Tablets
- Laptops
- Displays

This document contains information on a product under development. ON Semiconductor reserves the right to change or discontinue this product without notice.



ON Semiconductor®

www.onsemi.com



WLCSP36 2.06x2.06x0.432
CASE 567XU

MARKING DIAGRAMS



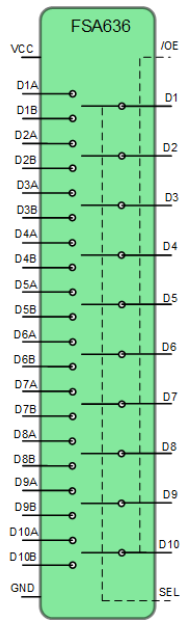
VR	= Specific Device Code
KK	= Assembly Lot
X	= Year
Y	= Work Week
Z	= Assembly Location

ORDERING INFORMATION

See detailed ordering and shipping information on page 6 of this data sheet.

FSA636

PIN DESCRIPTIONS



PIN NAME	DESCRIPTION		
Dn	Common Data Path		
DnA	Data Path A		
DnB	Data Path B		
/OE	Output Enable		
SEL	Control Pin	SEL=0	Dn = DnA
		SEL=1	Dn = DnB
VCC	Power		
GND	Ground		

Figure 1. Analog Symbol

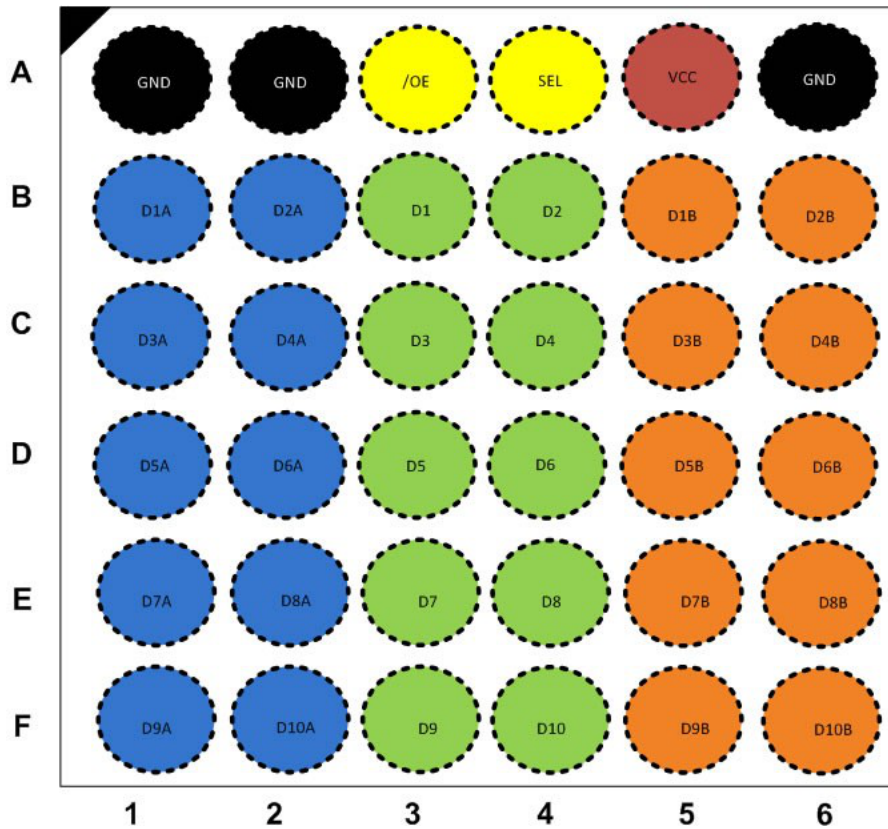


Figure 2. Top Through View

FSA636

BALL-TO-PIN MAPPINGS

Ball	Pin Name	Ball	Pin Name	Ball	Pin Name
A1	GND	C1	D3A	E1	D7A
A2	GND	C2	D4A	E2	D8A
A3	/OE	C3	D3	E3	D7
A4	SEL	C4	D4	E4	D8
A5	Vcc	C5	D3B	E5	D7B
A6	GND	C6	D4B	E6	D8B
B1	D1A	D1	D5A	F1	D9A
B2	D2A	D2	D6A	F2	D10A
B3	D1	D3	D5	F3	D9
B4	D2	D4	D6	F4	D10
B5	D1B	D5	D5B	F5	D9B
B6	D2B	D6	D6B	F6	D10B

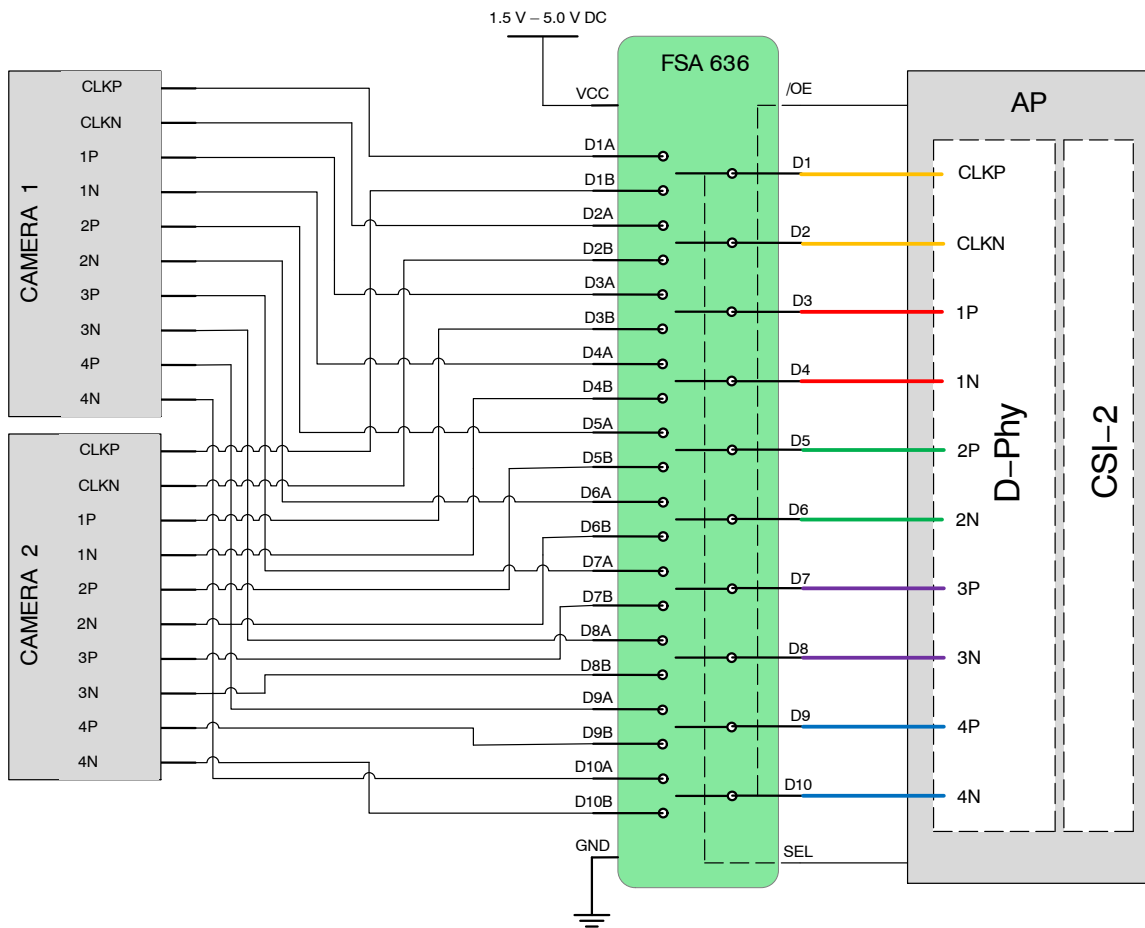


Figure 3. Suggested Configuration for 4 Lane D-PHY

FSA636

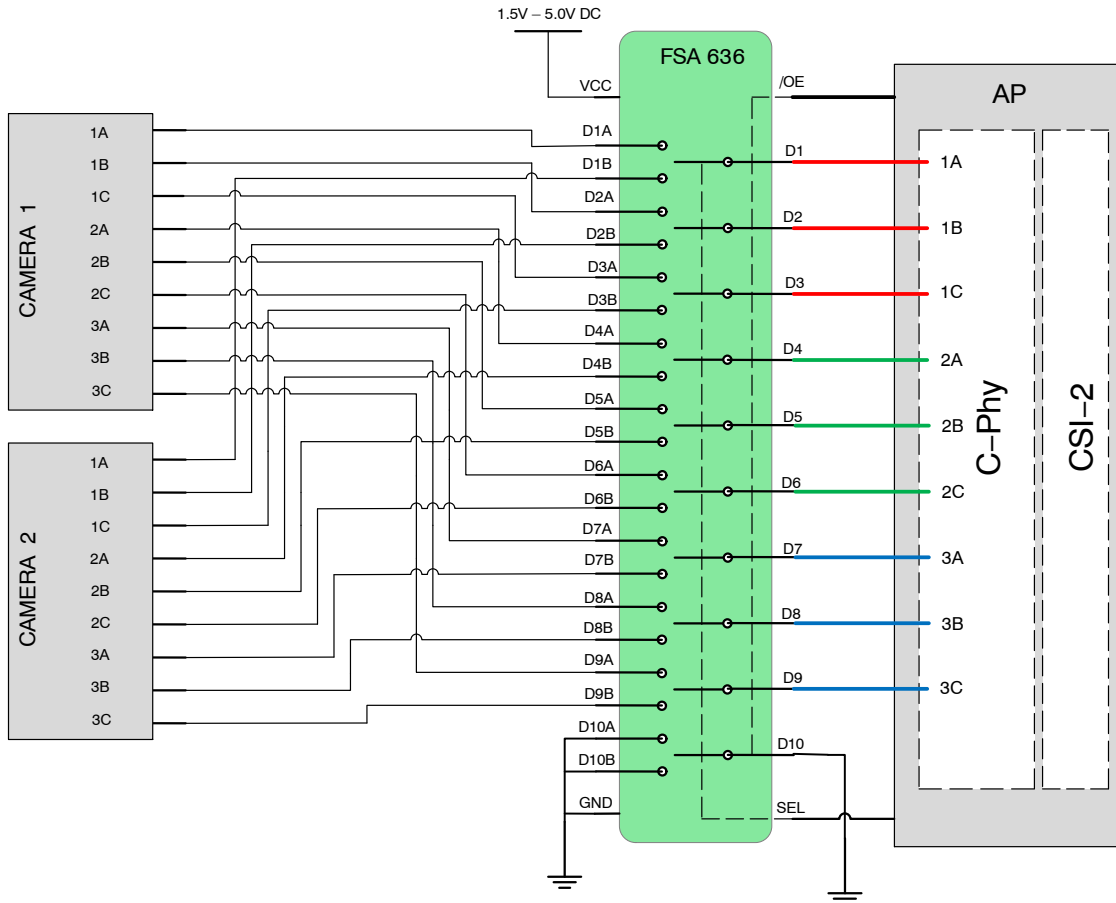


Figure 4. Suggested Configuration for 3 Lane C-PHY

TRUTH TABLE

SEL	/OE	Function
LOW	LOW	Dn = DnA
HIGH	LOW	Dn = DnB
X	HIGH	All Ports High Impedance

ABSOLUTE MAXIMUM RATINGS

Symbol	Parameter	Min	Max	Unit
V _{CC}	Supply Voltage	-0.5	6.0	V
V _{CNTRL}	DC Input Voltage (/OE, SEL) (Note 1)	-0.5	V _{CC}	V
V _{SW}	DC Switch I/O Voltage (Note 1, 2)	-0.3	2.1	V
I _{IK}	DC Input Diode Current	-50		mA
I _{OUT}	DC Output Current		25	mA
T _{STG}	Storage Temperature	-65	+150	°C
ESD	Human Body Model, JEDEC: JESD22-A114	All Pins	2.0	kV
	Charged Device Model, JEDEC: JESD22-C101		0.5	

Stresses exceeding those listed in the Maximum Ratings table may damage the device. If any of these limits are exceeded, device functionality should not be assumed, damage may occur and reliability may be affected.

1. The input and output negative ratings may be exceeded if the input and output diode current ratings are observed.
2. V_{SW} refers to analog data switch paths.

FSA636

RECOMMENDED OPERATING CONDITIONS

Symbol	Parameter	Min	Max	Unit	
V _{CC}	Supply Voltage	1.5	5.0	V	
V _{CTRL}	Control Input Voltage (SEL, /OE) (Note 3)	0	V _{CC}	V	
V _{SW}	Switch I/O Voltage (Dn, DAn, DBn)	HS Mode	0	0.425	V
		LP Mode	-0.05	2.0	V
T _A	Operating Temperature	-40	+85	°C	

Functional operation above the stresses listed in the Recommended Operating Ranges is not implied. Extended exposure to stresses beyond the Recommended Operating Ranges limits may affect device reliability.

3. The control inputs must be held HIGH or LOW; they must not float.

ELECTRICAL SPECIFICATION TABLE Typical values are at T_A = 25°C, V_{CC} = 3.3 V unless otherwise specified.

Symbol	Parameter	Conditions	Min	Typ	Max	Units
DC ELECTRICAL PARAMETERS						
V _{IK}	Clamp Diode Voltage (/OE, SEL)	I _{IN} = -18 mA, V _{CC} = 1.5 V	-1.2		-0.6	V
V _{IH}	Input Voltage High (/OE, SEL)	V _{CC} = 1.5 V to 5.0 V	1.3			V
V _{IL}	Input Voltage Low (/OE, SEL)	V _{CC} = 1.5 V to 5.0 V			0.5	V
I _{IN}	Control Input Leakage (SEL, /OE)	V _{CTRL} = 0 to V _{CC}	-0.5		0.5	μA
I _{NO(OFF)} , I _{INC(OFF)}	Off Leakage Current of Port Dn, DnA, DnB	V _{SW} = 0.0 ⇐ DATA ⇐ 2.0 V, V _{CC} = 5 V	-0.5		0.5	μA
I _{A(ON)}	On Leakage Current of Common Ports (Dn)	V _{SW} = 0.0 ⇐ DATA ⇐ 2.0 V, V _{CC} = 5 V	-0.5		0.5	μA
I _{OFF}	Power-Off Leakage Current	V _{SW} = 0 V or 2.0 V; V _{CC} = 0 V	-0.5		0.5	μA
I _{OZ}	Off-State Leakage	V _{SW} = 0.0 ⇐ DATA ⇐ 2.0 V, /OE = High, V _{CC} = 5 V	-0.5		0.5	μA
R _{ON_MIPI_HS}	Switch On Resistance for HS MIPI Applications	I _{ON} = -8 mA, /OE = 0 V, SEL = V _{CC} or 0 V, DnA or DnB = 0.2 V, V _{CC} = 1.5 V to 5.0 V		6	9	Ω
R _{ON_MIPI_LP}	Switch On Resistance for LP MIPI Applications	I _{ON} = -8 mA, /OE = 0 V, SEL = V _{CC} or 0 V, DnA or DnB = 1.2 V, V _{CC} = 1.5 V to 5.0 V		6	9	Ω
ΔR _{ON_MIPI_HS}	On Resistance Matching Between HS MIPI Channels (Note 4)	I _{ON} = -8 mA, /OE = 0 V, SEL = V _{CC} or 0 V, DnA or DnB = 0.2 V, V _{CC} = 1.5 V to 5.0 V		0.1	0.25	Ω
ΔR _{ON_MIPI_LP}	On Resistance Matching Between LP MIPI Channels (Note 4)	I _{ON} = -8 mA, /OE = 0 V, SEL = V _{CC} or 0 V, DnA or DnB = 1.2 V, V _{CC} = 1.5 V to 5.0 V		0.1	0.25	Ω
R _{ON_FLAT_MIPI_HS}	On Resistance Flatness for HS MIPI Signals (Note 4)	I _{ON} = -8 mA, /OE = 0 V, SEL = V _{CC} or 0 V, DnA or DnB = 0 V to 0.3 V, V _{CC} = 1.5 V to 5.0 V		0.9		Ω
R _{ON_FLAT_MIPI_LP}	On Resistance Flatness for LP MIPI Signals (Note 4)	I _{ON} = -8 mA, /OE = 0 V, SEL = V _{CC} or 0 V, DnA or DnB = 0V to 1.2 V, V _{CC} = 1.5 V to 5.0 V		0.9		Ω
I _{CCZ}	Quiescent Hi-Z Supply Current	V _{IN} = 0 V or V _{CC} , V _{SEL} = 0 V or V _{CC} , I _{OUT} = 0 A, V _{CC} = 5.0 V, /OE = 5.0 V			1	μA
I _{CC}	Quiescent Supply Current	V _{IN} = 0 or V _{CC} , I _{OUT} = 0 A, V _{CC} = 5.0 V, /OE = 0 V			30	μA
I _{CCCT}	Increase in I _{CC} Current Per Control Voltage and V _{CC}	V _{SEL} = 1.5 V, /OE = 5.0 V, V _{CC} = 5.0 V		1	4	μA

FSA636

ELECTRICAL SPECIFICATION TABLE Typical values are at $T_A = 25^\circ\text{C}$, $V_{CC} = 3.3\text{ V}$ unless otherwise specified.

Symbol	Parameter	Conditions	Min	Typ	Max	Units
AC ELECTRICAL PARAMETERS						
tINIT	Initialization Time VCC to Output (Note 4)	RL = 50 Ω , CL = 0 pF, VSW = 0.6 V		60	150	μs
tEN	Enable Turn-On Time, /OE to Output	RL = 50 Ω , CL = 0 pF, VSW = 0.6 V		60	150	μs
tDIS	Disable Turn-Off Time, /OE to Output	RL = 50 Ω , CL = 0 pF, VSW = 0.6 V		25	250	ns
tON	Turn-On Time, SEL to Output	RL = 50 Ω , CL = 0 pF, VSW = 0.6 V, SEL H to L, SEL L to H		350	1100	ns
tOFF	Turn-Off Time SEL to Output	RL = 50 Ω , CL = 0 pF, VSW = 0.6 V, SEL H to L, SEL L to H		125	1100	ns
tBBM	Break-Before-Make Time (Note 4)	RL = 50 Ω , CL = 0 pF, VSW = 0.6 V, 50%DnA/B to 50%DnB/A		150		ns
tPD	Propagation Delay (Note 4)	RL = 50 Ω , CL = 0 pF		TBD		ps
OIRR	Off Isolation for MIPI (Note 4)	RL = 50 Ω , f = 2250 MHz, /OE = VCC, VSW = 200 mVpp		-24		dB
XTALK	Crosstalk for MIPI (Note 4)	RL = 50 Ω , f = 2250 MHz, VSW = 200 mVpp, SEL = H & L		-30		dB
BW	Bandwidth at -3dB (Note 4)	RL = 50 Ω , CL = 0 pF, VSW = 200 mVpp		4.0		GHz
IL	Insertion Loss at 750 MHz (Note 4)	RL = 50 Ω , CL = 0 pF, VSW = 200 mVpp		-0.7		dB
tSK(O)	Channel-to-Channel Single-Ended Skew (Note 4)	RL = 50 Ω , CL = 0 pF, VSW = 0.3 V		6		ps
tSK(P)	Skew of Opposite Transitions of the Same Output (Note 4)	RL = 50 Ω , CL = 0 pF, VSW = 0.3 V		6		ps

CAPACITANCE

CIN	Control Pin Input Capacitance (Note 5)	VCC = 0 V, f = 1 MHz		2.1		pF
CON	On Capacitance (Note 5)	VCC = 3.3 V, /OE = 0 V, f = 2250 MHz		1.5		pF
COFF	Off Capacitance (Note 5)	VCC and /OE = 3.3 V, f = 2250 MHz		0.9		pF

Product parametric performance is indicated in the Electrical Characteristics for the listed test conditions, unless otherwise noted. Product performance may not be indicated by the Electrical Characteristics if operated under different conditions.

NOTES: Guarantee Levels:

4. Guaranteed by Design. Characterized on the ATE or Bench.
5. Guaranteed by Design and Characterization, not Production Tested

The table below pertains to the Packaging information on the following page

ORDERING INFORMATION

Part Number	Operating Temperature Range	Package	Top Mark
FSA636UCX	-40 to +85°C	36-Ball WLCSP, Non-JEDEC 2.06 x 2.06 mm, 0.35 mm Pitch	VR

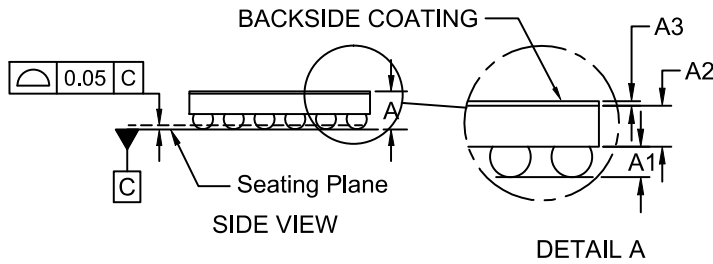
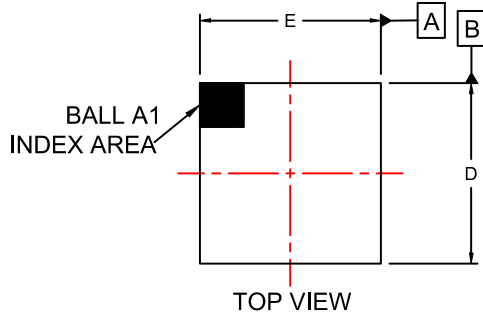
FSA636

PACKAGE DIMENSIONS

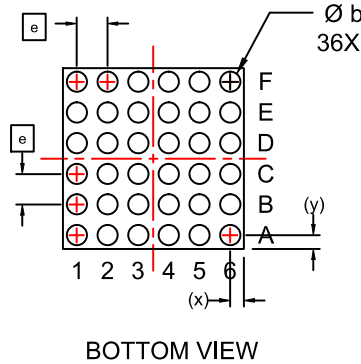


WLCSP36 2.06x2.06x0.432
CASE 567XU
ISSUE O

DATE 26 APR 2019



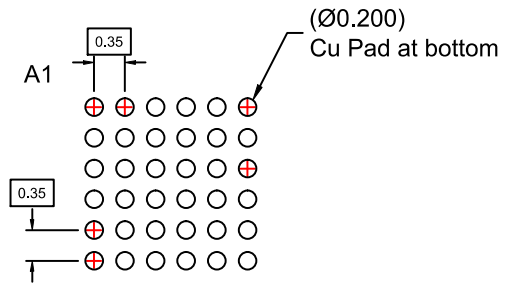
$\oplus 0.005 \text{ (M)}$ C A B



NOTES:

1. DIMENSIONING AND TOLERANCING PER ASME Y14.5M, 2009.
2. CONTROLLING DIMENSION: MILLIMETERS
3. DATUM C APPLIES TO THE SPHERICAL CROWN OF THE SOLDER BALLS

DIM	MILLIMETERS		
	MIN.	NOM.	MAX.
A	0.391	0.432	0.473
A1	0.154	0.174	0.194
A2	0.215	0.233	0.251
A3	0.022	0.025	0.028
b	0.211	0.231	0.251
D	2.03	2.06	2.09
E	2.03	2.06	2.09
e	0.35 BSC		
x	0.140	0.155	0.170
y	0.140	0.155	0.170



RECOMMENDED MOUNTING FOOTPRINT* (NSMD PAD TYPE)

*FOR ADDITIONAL INFORMATION ON OUR Pb-FREE STRATEGY AND SOLDERING DETAILS, PLEASE DOWNLOAD THE ON SEMICONDUCTOR SOLDERING AND MOUNTING TECHNIQUES REFERENCE MANUAL, SOLDERRM/D.

ON Semiconductor and are trademarks of Semiconductor Components Industries, LLC dba ON Semiconductor or its subsidiaries in the United States and/or other countries. ON Semiconductor owns the rights to a number of patents, trademarks, copyrights, trade secrets, and other intellectual property. A listing of ON Semiconductor's product/patent coverage may be accessed at www.onsemi.com/site/pdf/Patent-Marking.pdf. ON Semiconductor reserves the right to make changes without further notice to any products herein. ON Semiconductor makes no warranty, representation or guarantee regarding the suitability of its products for any particular purpose, nor does ON Semiconductor assume any liability arising out of the application or use of any product or circuit, and specifically disclaims any and all liability, including without limitation special, consequential or incidental damages. Buyer is responsible for its products and applications using ON Semiconductor products, including compliance with all laws, regulations and safety requirements or standards, regardless of any support or applications information provided by ON Semiconductor. "Typical" parameters which may be provided in ON Semiconductor data sheets and/or specifications can and do vary in different applications and actual performance may vary over time. All operating parameters, including "Typicals" must be validated for each customer application by customer's technical experts. ON Semiconductor does not convey any license under its patent rights nor the rights of others. ON Semiconductor products are not designed, intended, or authorized for use as a critical component in life support systems or any FDA Class 3 medical devices or medical devices with a same or similar classification in a foreign jurisdiction or any devices intended for implantation in the human body. Should Buyer purchase or use ON Semiconductor products for any such unintended or unauthorized application, Buyer shall indemnify and hold ON Semiconductor and its officers, employees, subsidiaries, affiliates, and distributors harmless against all claims, costs, damages, and expenses, and reasonable attorney fees arising out of, directly or indirectly, any claim of personal injury or death associated with such unintended or unauthorized use, even if such claim alleges that ON Semiconductor was negligent regarding the design or manufacture of the part. ON Semiconductor is an Equal Opportunity/Affirmative Action Employer. This literature is subject to all applicable copyright laws and is not for resale in any manner.

PUBLICATION ORDERING INFORMATION

LITERATURE FULFILLMENT:
Email Requests to: orderlit@onsemi.com

TECHNICAL SUPPORT
North American Technical Support:
Voice Mail: 1 800-282-9855 Toll Free USA/Canada
Phone: 011 421 33 790 2910

Europe, Middle East and Africa Technical Support:
Phone: 00421 33 790 2910
For additional information, please contact your local Sales Representative