

PI3WVR646

2:1 MIPI D-PHY and C-PHY Switch

Features

- SPDT (10x) Switch Type and Signal Type Support D-PHY and C-PHY
- Data Rate: D-PHY(2.5Gbps) 4-Data Lane and C-PHY (2.5Gsps) 3-Data Lane
- Supports 2:1 Clock Differential Signal
- -3dB Bandwidth: 4.5GHz Typical
- Low Crosstalk: -30dB @ 1.25GHz
- Low Off Isolation: -26dB @ 1.25GHz
- Input Signals 0 to 1.3V
- R_{ON} : 6 Ω Typical LP & HS MIPI
- ΔR_{ON} : 0.1 Ω Typical LP & HS MIPI
- R_{ON_FLAT} : 0.3 Ω Typical LP & HS MIPI
- I_{CCZ} : 1 μ A Maximum
- I_{CC} : 15 μ A Typical
- C_{ON} : 1.5pF Typical
- Skew of Opposite Transitions of the Same Output: 2ps Typical
- V_{DD} Operating Range: 1.5V to 5V
- ESD Tolerance: 2kV HBM
- Totally Lead-Free & Fully RoHS Compliant (Notes 1 & 2)
- Halogen and Antimony Free. "Green" Device (Note 3)
- For automotive applications requiring specific change control (i.e. parts qualified to AEC-Q100/101/200, PPAP capable, and manufactured in IATF 16949 certified facilities), please [contact us](mailto:contact_us) or your local Diodes representative. <https://www.diodes.com/quality/product-definitions/>
- Packaging (Pb-free & Green): 36-Pin, CSP (GE) 2.44 × 2.44

Description

Diodes' PI3WVR646 is a 4-data lane D-PHY or 3-data lane C-PHY MIPI switch. This 10-channel single-pole, double-throw (SPDT) switch is optimized for switching between high-speed (HS) or low-power (LP) MIPI signal. The PI3WVR646 is designed for the MIPI specification and allows connection to a CSI or DSI module.

Applications

- Cellular Phones, Smart Phones
- Tablets
- Laptops
- Displays

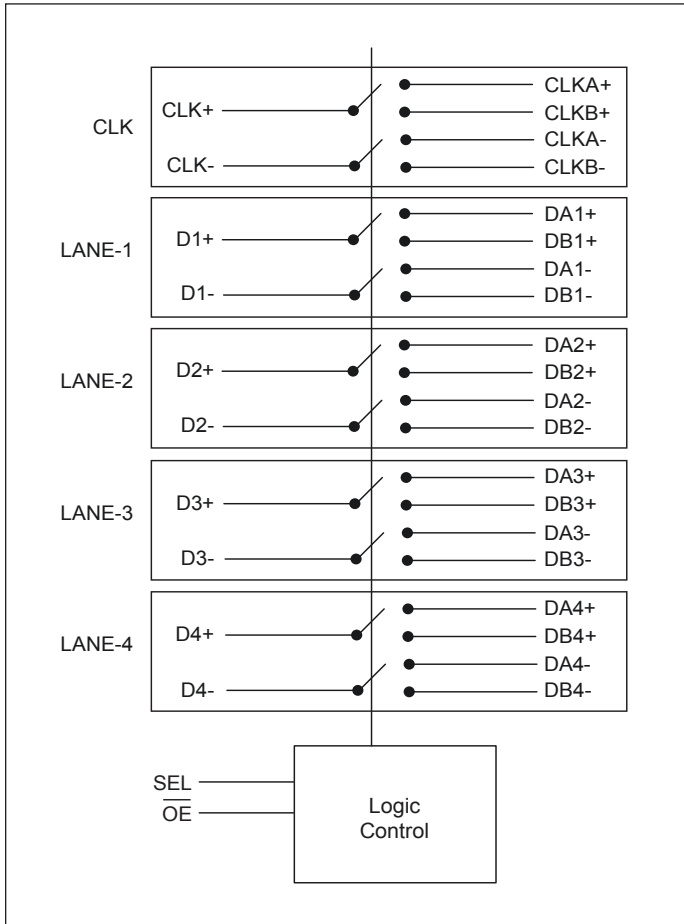
Notes:

1. No purposely added lead. Fully EU Directive 2002/95/EC (RoHS), 2011/65/EU (RoHS 2) & 2015/863/EU (RoHS 3) compliant.
2. See <https://www.diodes.com/quality/lead-free/> for more information about Diodes Incorporated's definitions of Halogen- and Antimony-free, "Green" and Lead-free.
3. Halogen- and Antimony-free "Green" products are defined as those which contain <900ppm bromine, <900ppm chlorine (<1500ppm total Br + Cl) and <1000ppm antimony compounds.

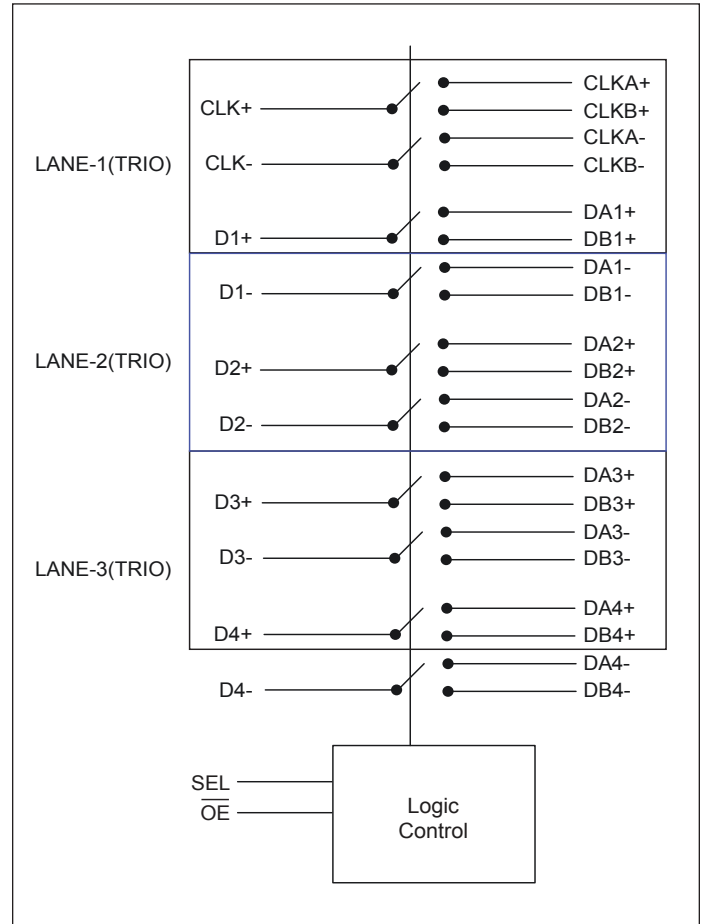
PI3WVR646

Block Diagram

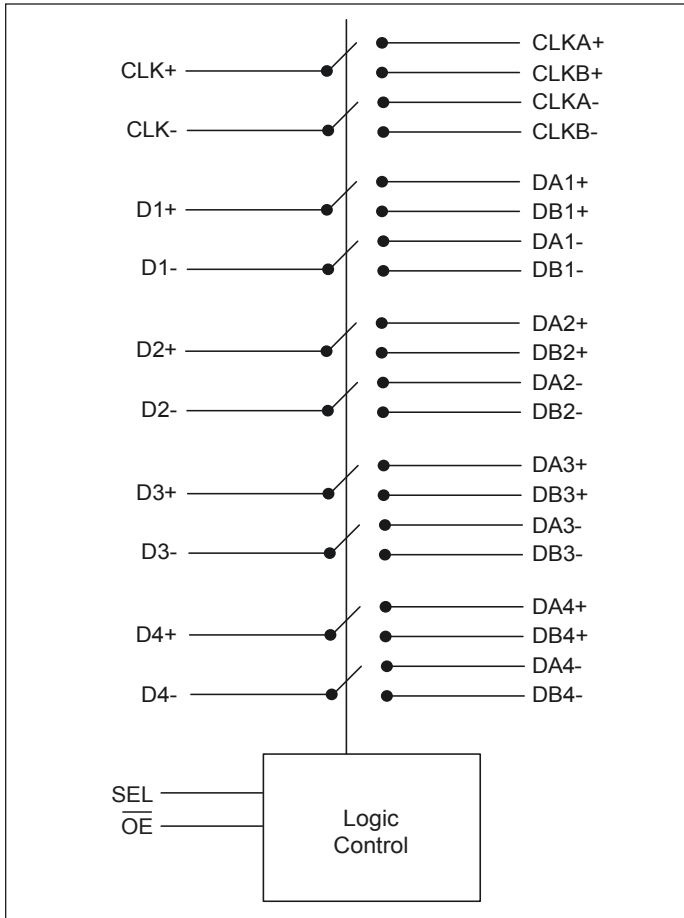
PI3WVR646 D-PHY Application



PI3WVR646 C-PHY Application



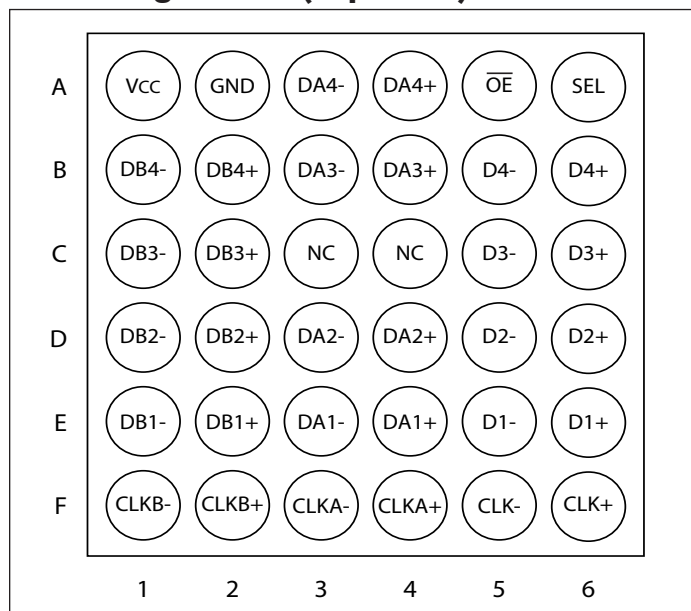
Block Diagram



Truth Table

SEL	\overline{OE}	Function
LOW	LOW	CLK+ = CLKA+, CLK- = CLKA-, Dn(±) = DAn(±)
HIGH	LOW	CLK+ = CLKB+, CLK- = CLKB-, Dn(±) = DBn(±)
X	HIGH	Clock and Data Ports High Impedance

Pin Configuration (Top View)



Pin Description

Pin#	Pin Name	Type	Description
A1	VCC	Power	1.5V to 5V power supply
A2	GND	Ground	Ground
A3	DA4-	I/O	Negative differential signal 4 for port A
A4	DA4+	I/O	Positive differential signal 4 for port A
A5	\overline{OE}	I	Output enable. If \overline{OE} is low, IC enables. If \overline{OE} is high, IC powers down. All I/Os are Hi-Z.
A6	SEL	I/O	Switch logic control
B1	DB4-	I/O	Negative differential signal 4 for port B
B2	DB4+	I/O	Positive differential signal 4 for port B
B3	DA3-	I/O	Negative differential signal 3 for port A
B4	DA3+	I/O	Positive differential signal 3 for port A
B5	D4-	I/O	Negative differential signal 4 for COM port
B6	D4+	I/O	Positive differential signal 4 for COM port
C1	DB3-	I/O	Negative differential signal 3 for port B
C2	DB3+	I/O	Positive differential signal 3 for port B
C3, C4	NC	—	Not connected
C5	D3-	I/O	Negative differential signal 3 for COM port
C6	D3+	I/O	Positive differential signal 3 for COM port
D1	DB2-	I/O	Negative differential signal 2 for port B

Pin Description Cont.

Pin#	Pin Name	Type	Description
D2	DB2+	I/O	Positive differential signal 2 for port B
D3	DA2-	I/O	Negative differential signal 2 for port A
D4	DA2+	I/O	Positive differential signal 2 for port A
D5	D2-	I/O	Negative differential signal 2 for COM port
D6	D2+	I/O	Positive differential signal 2 for COM port
E1	DB1-	I/O	Negative differential signal 1 for port B
E2	DB1+	I/O	Positive differential signal 1 for port B
E3	DA1-	I/O	Negative differential signal 1 for port A
E4	DA1+	I/O	Positive differential signal 1 for port A
E5	D1-	I/O	Negative differential signal 1 for COM port
E6	D1+	I/O	Positive differential signal 1 for COM port
F1	CLKB-	I/O	Clock negative differential signal for port B
F2	CLKB+	I/O	Clock positive differential signal for port B
F3	CLKA-	I/O	Clock negative differential signal for port A
F4	CLKA+	I/O	Clock positive differential signal for port A
F5	CLK-	I/O	Clock negative differential signal for COM port
F6	CLK+	I/O	Clock positive differential signal for COM port

Absolute Maximum Ratings

(Above which useful life may be impaired. For user guidelines, not tested.)

V _{CC} , Supply Voltage,	-0.5V to 6.0V
V _{CNTRL} , DC Input Voltage (\overline{OE} , SEL) ⁽¹⁾	-0.5V to V _{CC}
V _{SW} , DC Switch I/O Voltage ^(1,2)	-0.3V to 4.0V
I _{IK} , DC Input Diodes Current	-50mA
I _{OUT} , DC Output Current	25mA
T _{STG} , Storage Temperature	-65°C to +150°C
T _j , Junction Temperature	125°C
ESD:	
Human Body Model, JEDEC: JESD22-A114, All Pins	2.0kV
Charged Device Model, JEDEC: JESD22-C101	1.0kV

Note:
Stresses greater than those listed under MAXIMUM RATINGS may cause permanent damage to the device. This is a stress rating only and functional operation of the device at these or any other conditions above those indicated in the operational sections of this specification is not implied. Exposure to absolute maximum rating conditions for extended periods may affect reliability.

Note:

1. The input and output negative ratings can be exceeded if the input and output diode current ratings are observed.
2. V_{SW} refers to analog data switch paths.

Recommended Operating Conditions

The Recommended Operating Conditions table defines the conditions for actual device operation. Recommended operating conditions are specified to ensure optimal performance to the datasheet specifications.

Symbol	Description	Test Conditions	Min.	Max.	Units
V _{CC}	Supply Voltage	—	1.5	5.0	V
V _{CNTRL}	Control Input Voltage (SEL, \overline{OE}) ⁽¹⁾	—	0	V _{CC}	V
V _{SW}	Switch I/O Voltage (CLK-, D-, CLKA-, CLKB-, DA-, DB-)	- HS Mode	0	0.5	V
		- LP Mode	0	1.3	V
T _A	Operating Temperature	—	-40	+85	°C

Note:

1. The control inputs must be held HIGH or LOW; they must not float.

DC and Transient Characteristics

All typical values are at T_A = 25°C unless otherwise specified.

Symbol	Description	Test Conditions	V _{CC} (V)	T _A = -40°C to +85°C			Units
				Min.	Typ.	Max.	
V _{IK}	Clamp Diode Voltage (\overline{OE} , SEL)	I _{IN} = -18mA	1.5	-1.2	—	-0.6	V
V _{IH}	Input Voltage High	SEL, \overline{OE}	1.5 to 5	1.3	—	—	V
V _{IL}	Input Voltage Low	SEL, \overline{OE}	1.5 to 5	—	—	0.5	V
I _{IN}	Control Input Leakage (\overline{OE} , SEL)	V _{CNTRL} = 0 to V _{CC}	5	-0.5	—	0.5	μA
I _{NO(OFF)} I _{NC(OFF)}	Off Leakage Current of Port CLKA-, DA-, CLKB- and DB-	V _{SW} = 0.0 ≤ DATA ≤ 1.3V	5	-0.5	—	0.5	μA
I _{A(ON)}	On Leakage Current of Common Ports (CLK-, D-)	V _{SW} = 0.0 ≤ DATA ≤ 1.3V	5	-0.5	—	0.5	μA

DC and Transient Characteristics Cont.

Symbol	Description	Test Conditions	V _{CC} (V)	T _A = -40°C to +85°C			Units
				Min.	Typ.	Max.	
I _{OFF}	Power-Off Leakage Current (All I/O Ports)	V _{SW} = 0.0 or 1.3V	0	-0.5	—	0.5	μA
I _{OZ}	Off-State Leakage	V _{SW} = 0.0 ≤ DATA ≤ 1.3V, OE = High	5	-0.5	—	0.5	μA
R _{ON_MIPI_HS}	Switch On Resistance for HS MIPI	I _{ON} = -8mA, OE = 0V, SEL = V _{CC} or 0V, CLKA, CLKB, DB- or DA- = 0.2V	1.5	—	6	9	Ω
			2.5				
			3.3				
			5				
R _{ON_MIPI_LP}	Switch On Resistance for LP MIPI	I _{ON} = -8mA, OE = 0V, SEL = V _{CC} or 0V, CLKA, CLKB, DB- or DA- = 1.2V	1.5	—	6	9	Ω
			2.5				
			3.3				
			5				
ΔR _{ON_MIPI_HS}	On Resistance Matching Between HS MIPI Channels ⁽¹⁾	I _{ON} = -8mA, OE = 0V, SEL = V _{CC} or 0V, CLKA, CLKB, DB- or DA- = 0.2V	1.5	—	0.1	—	Ω
			2.5				
			3.3				
			5				
ΔR _{ON_MIPI_LP}	On Resistance Matching Between LP MIPI Channels ⁽¹⁾	I _{ON} = -8mA, OE = 0V, SEL = V _{CC} or 0V, CLKA, CLKB, DB- or DA- = 1.2V	1.5	—	0.1	—	Ω
			2.5				
			3.3				
			5				
R _{ON_FLAT_MIPI_HS}	On Resistance Flatness for HS MIPI	I _{ON} = -8mA, OE = 0V, SEL = V _{CC} or 0V, CLKA, CLKB, DB- or DA- = 0 to 0.3V	1.5	—	0.3	—	Ω
			2.5				
			3.3				
			5				
R _{ON_FLAT_MIPI_LP}	On Resistance Flatness for LP MIPI	I _{ON} = -8mA, OE = 0V, SEL = V _{CC} or 0V, CLKA, CLKB, DB- or DA- = 0 to 1.3V	1.5	—	0.3	—	Ω
			2.5				
			3.3				
			5				
I _{CC}	Quiescent Supply Current	V _{SEL} = 0 or V _{CC} , I _{OUT} = 0, OE = 0V	5	—	15	30	μA
I _{CCZ}	Quiescent Supply Current (High Impedance)	V _{SEL} = 0 or V _{CC} , I _{OUT} = 0, OE = 0V	5	—	—	1	μA
I _{CCCT}	Increase in I _{CC} Current Per Control Voltage and V _{CC}	V _{SEL} = 0 or V _{CC} , OE = 1.5V	5	—	1	—	μA

AC Electrical Characteristics

All typical values are for $V_{CC} = 3.3V$ and $T_A = 25^\circ C$ unless otherwise specified.

Symbol	Description	Test Conditions	V_{CC} (V)	$T_A = -40^\circ C$ to $+85^\circ C$			Units
				Min.	Typ.	Max.	
t_{INIT}	Initialization Time V_{CC} to Output ⁽¹⁾	$R_L = 50\Omega$, $C_L = 0pF$, $V_{SW} = 0.6V$	1.5 to 5	—	60	—	μs
t_{EN}	Enable Time \overline{OE} to Output	$R_L = 50\Omega$, $C_L = 0pF$, $V_{SW} = 0.6V$	1.5 to 5	—	60	150	μs
t_{DIS}	Disable Time \overline{OE} to Output	$R_L = 50\Omega$, $C_L = 0pF$, $V_{SW} = 0.6V$	1.5 to 5	—	35	250	ns
t_{ON}	Turn-On Time SEL to Output	$R_L = 50\Omega$, $C_L = 0pF$, $V_{SW} = 0.6V$	1.5 to 5	—	350	1100	ns
t_{OFF}	Turn-Off Time SEL to Output	$R_L = 50\Omega$, $C_L = 0pF$, $V_{SW} = 0.6V$	1.5 to 5	—	125	800	ns
t_{BBM}	Break-Before-Make Time	$R_L = 50\Omega$, $C_L = 0pF$, $V_{SW} = 0.6V$	1.5 to 5	—	—	450	ns
t_{PD}	Propagation Delay ⁽¹⁾	$C_L = 0pF$, $R_L = 50\Omega$	1.5 to 5	—	—	0.25	ns
O_{IRR}	Off Isolation for MIPI ⁽¹⁾	$R_L = 50\Omega$, $f = 1250MHz$, $\overline{OE} = HIGH$, $V_{SW} = 0.2V_{PP}$	1.5 to 5	—	-26	—	dB
X_{TALK}	Crosstalk for MIPI ⁽¹⁾	$R_L = 50\Omega$, $f = 1250MHz$, SEL = HIGH, $V_{SW} = 0.2V_{PP}$	1.5 to 5	—	—	-30	dB
		$R_L = 50\Omega$, $f = 1250MHz$, SEL = LOW, $V_{SW} = 0.2V_{PP}$		—	—	-30	
I_{LOSS}	Insertion Loss ⁽¹⁾	$R_L = 50\Omega$, $C_L = 0pF$, $f = 1250MHz$, $V_{SW} = 0.2V_{PP}$	1.5 to 5	—	-0.9	—	dB
		$R_L = 50\Omega$, $C_L = 0pF$, $f = 750MHz$, $V_{SW} = 0.2V_{PP}$	1.5 to 5	—	-0.7	—	
BW	-3db Bandwidth ⁽¹⁾	$R_L = 50\Omega$, $C_L = 0pF$, $V_{SW} = 0.2V_{PP}$	1.5 to 5	3.0	4.5	—	GHz

Note:

1. Guaranteed by characterization.

High-Speed-Related AC Electrical Characteristics

Symbol	Description	Test Conditions	V _{CC} (V)	T _A = -40°C to +85°C			Units
				Min.	Typ.	Max.	
t _{SK(P)}	HS Mode Skew of Opposite Transitions of the Same Output ⁽¹⁾	R _L = 50Ω, C _L = 0pF, V _{SW} = 0.3V	1.5 to 5	—	2	4	ps
	HS Mode Slew of all Group A or Group B Channels ⁽¹⁾	R _L = 50Ω, C _L = 0pF, V _{SW} = 0.3V	1.5 to 5	—	4	7	

Note:

1. Guaranteed by characterization.

Capacitance

Symbol	Description	Test Conditions	T _A = -40°C to +85°C			Units
			Min.	Typ.	Max.	
C _{IN}	Control Pin Input Capacitance ⁽¹⁾	V _{CC} = 0V, f = 1MHz	—	2.1	—	pF
C _{ON}	On Capacitance ⁽¹⁾	V _{CC} = 3.3V, \overline{OE} = 0V, f = 1250MHz (in HS common value)	—	1.5	—	pF
C _{OFF}	Off Capacitance ⁽¹⁾	V _{CC} or \overline{OE} = 3.3V, f = 1250MHz (both sides in HS common value)	—	0.9	—	pF

Note:

1. Guaranteed by characterization.

PI3WVR646

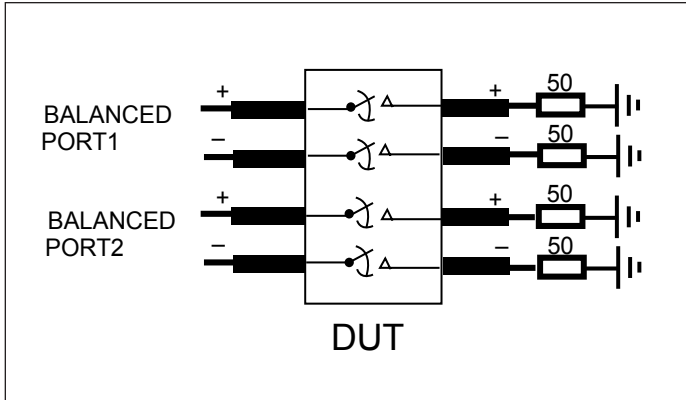


Fig 1. Crosstalk Setup

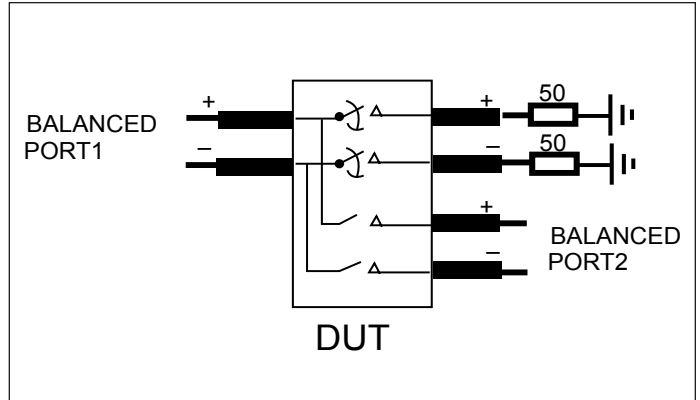


Fig 2. Off-Isolation Setup

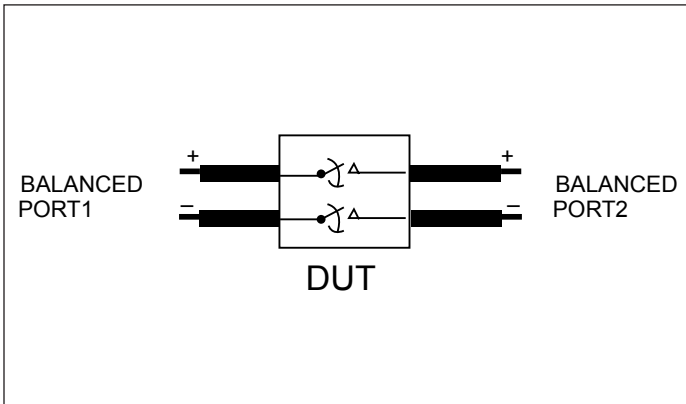
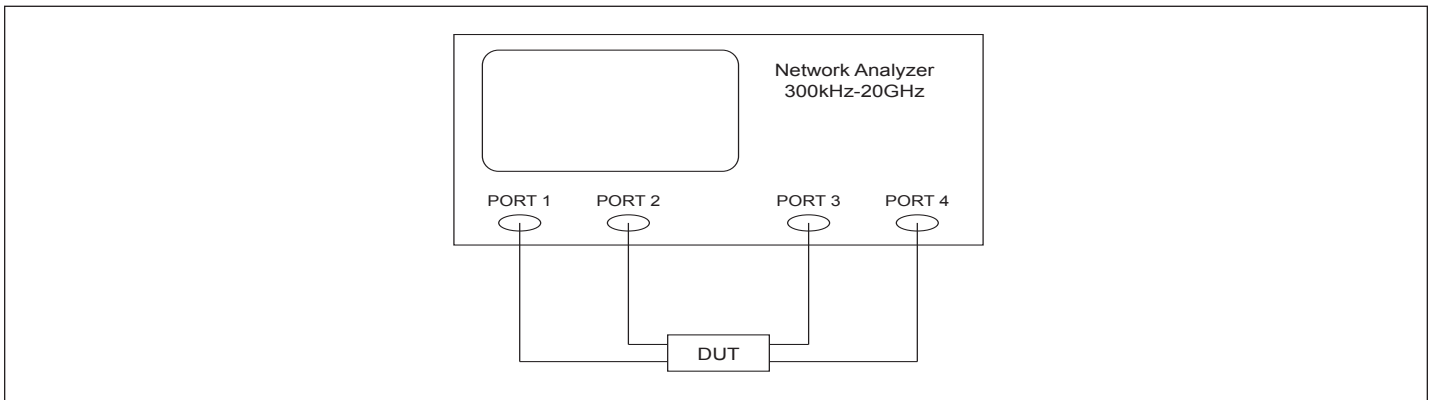
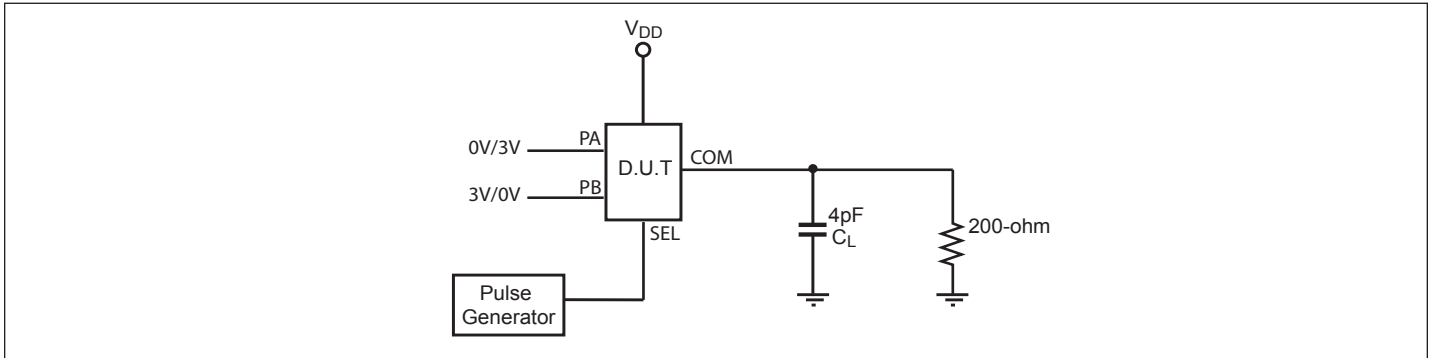


Fig 3. Differential Insertion Loss

Test Circuit for Dynamic Electrical Characteristics



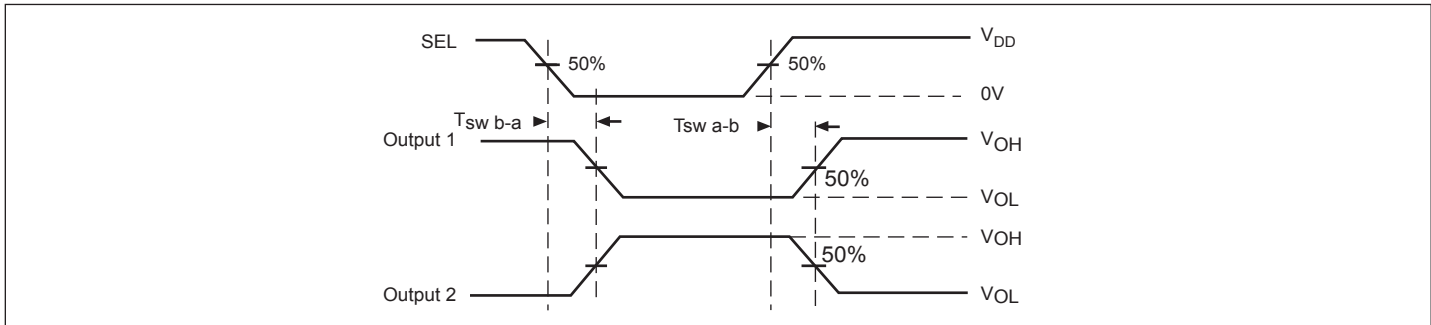
Test Circuit for Electrical Characteristics⁽¹⁻⁴⁾



Notes:

1. C_L = Load capacitance: includes jig and probe capacitance.
2. R_T = Termination resistance: should be equal to Z_{OUT} of the Pulse Generator.
3. All input impulses are supplied by generators having the following characteristics: $PRR \leq \text{MHz}$, $Z_O = 50\Omega$, $t_R \leq 2.5\text{ns}$, $t_F \leq 2.5\text{ns}$.
4. The outputs are measured one at a time with one transition per measurement.

Switching Waveforms



Voltage Waveforms for Select Timing

Test Condition

Output 1 Test Condition	Output 2 Test Condition
PA = Low	PA = High
PB = High	PB = Low

Part Marking

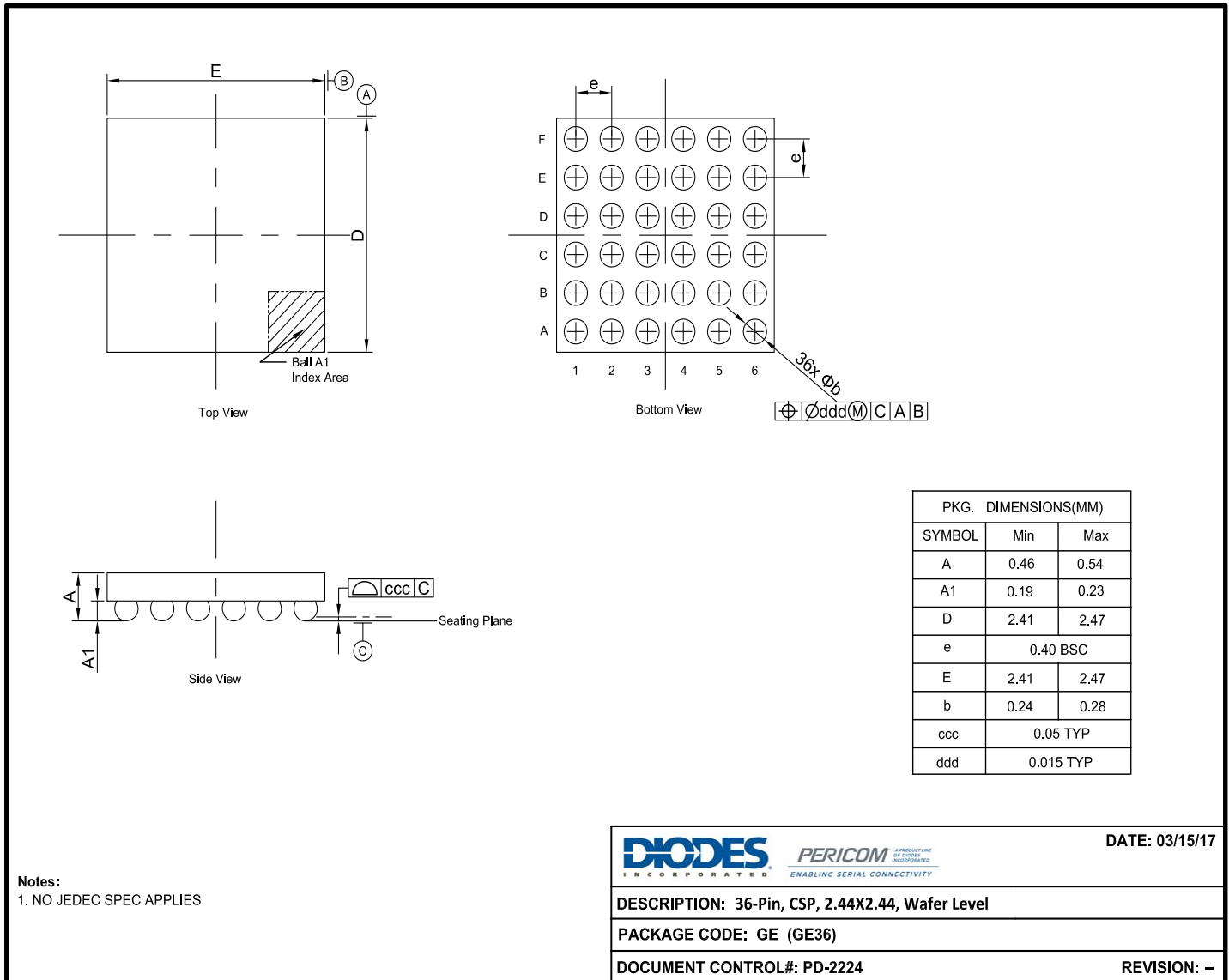
CSP Package



Z: Die Rev
YY: Year
WW: Workweek
1st X: Assembly Site Code
2nd X: Fab Site Code

PI3WVR646

Packaging Mechanical: 36-CSP (GE)



Notes:
1. NO JEDEC SPEC APPLIES

DIODES INCORPORATED	PERICOM A PRODUCT LINE OF DIODES INCORPORATED ENABLING SERIAL CONNECTIVITY	DATE: 03/15/17
DESCRIPTION: 36-Pin, CSP, 2.44X2.44, Wafer Level		
PACKAGE CODE: GE (GE36)		
DOCUMENT CONTROL#: PD-2224		REVISION: -

For latest package information:

See <http://www.diodes.com/design/support/packaging/pericom-packaging/packaging-mechanicals-and-thermal-characteristics/>.

Ordering Information

Ordering Code	Package Code	Package Description
PI3WVR646GEEX	GE	36-Pin, 2.44x2.44, Wafer Level (CSP)

Notes:

1. No purposely added lead. Fully EU Directive 2002/95/EC (RoHS), 2011/65/EU (RoHS 2) & 2015/863/EU (RoHS 3) compliant.
2. See <https://www.diodes.com/quality/lead-free/> for more information about Diodes Incorporated's definitions of Halogen- and Antimony-free, "Green" and Lead-free.
3. Halogen- and Antimony-free "Green" products are defined as those which contain <900ppm bromine, <900ppm chlorine (<1500ppm total Br + Cl) and <1000ppm antimony compounds.
4. E = Pb-free and Green
5. X suffix = Tape/Reel

IMPORTANT NOTICE

DIODES INCORPORATED MAKES NO WARRANTY OF ANY KIND, EXPRESS OR IMPLIED, WITH REGARDS TO THIS DOCUMENT, INCLUDING, BUT NOT LIMITED TO, THE IMPLIED WARRANTIES OF MERCHANTABILITY AND FITNESS FOR A PARTICULAR PURPOSE (AND THEIR EQUIVALENTS UNDER THE LAWS OF ANY JURISDICTION).

Diodes Incorporated and its subsidiaries reserve the right to make modifications, enhancements, improvements, corrections or other changes without further notice to this document and any product described herein. Diodes Incorporated does not assume any liability arising out of the application or use of this document or any product described herein; neither does Diodes Incorporated convey any license under its patent or trademark rights, nor the rights of others. Any Customer or user of this document or products described herein in such applications shall assume all risks of such use and will agree to hold Diodes Incorporated and all the companies whose products are represented on Diodes Incorporated website, harmless against all damages.

Diodes Incorporated does not warrant or accept any liability whatsoever in respect of any products purchased through unauthorized sales channel.

Should Customers purchase or use Diodes Incorporated products for any unintended or unauthorized application, Customers shall indemnify and hold Diodes Incorporated and its representatives harmless against all claims, damages, expenses, and attorney fees arising out of, directly or indirectly, any claim of personal injury or death associated with such unintended or unauthorized application.

Products described herein may be covered by one or more United States, international or foreign patents pending. Product names and markings noted herein may also be covered by one or more United States, international or foreign trademarks.

This document is written in English but may be translated into multiple languages for reference. Only the English version of this document is the final and definitive format released by Diodes Incorporated.

LIFE SUPPORT

Diodes Incorporated products are specifically not authorized for use as critical components in life support devices or systems without the express written approval of the Chief Executive Officer of Diodes Incorporated. As used herein:

A. Life support devices or systems are devices or systems which:

1. are intended to implant into the body, or

2. support or sustain life and whose failure to perform when properly used in accordance with instructions for use provided in the labeling can be reasonably expected to result in significant injury to the user.

B. A critical component is any component in a life support device or system whose failure to perform can be reasonably expected to cause the failure of the life support device or to affect its safety or effectiveness.

Customers represent that they have all necessary expertise in the safety and regulatory ramifications of their life support devices or systems, and acknowledge and agree that they are solely responsible for all legal, regulatory and safety-related requirements concerning their products and any use of Diodes Incorporated products in such safety-critical, life support devices or systems, notwithstanding any devices- or systems-related information or support that may be provided by Diodes Incorporated. Further, Customers must fully indemnify Diodes Incorporated and its representatives against any damages arising out of the use of Diodes Incorporated products in such safety-critical, life support devices or systems.

Copyright © 2019, Diodes Incorporated

www.diodes.com