

PI3WVR2646

2:1 MIPI 4-Data Lane Switch

Features

- SPDT (10x) Switch Type and Signal Type Support D-PHY and C-PHY
- Data Rate: D-PHY (2.5Gbps) 4-Data Lane and C-PHY (2.5Gbps) 3-Data Lane
- Supports 2:1 clock differential signal
- -3 dB Bandwidth: 4.1 GHz Typical
- Low Crosstalk: -30 dB@1.25 GHz
- Input Signals 0 to 1.3V
- RON: 6Ω Typical LP & HS MIPI
- ΔRON: 0.1Ω Typical LP & HS MIPI
- RON_FLAT: 0.3Ω Typical LP & HS MIPI
- ICCZ: 0.5uA Typical
- ICC: 32uA Max
- CON: 1.5pF Typical
- Skew of Opposite Transitions of the Same Output: 6ps Typical
- VDD Operating Range: 1.5V to 3.6V
- ESD Tolerance: 2kV HBM
- Totally Lead-Free & Fully RoHS Compliant (Notes 1 & 2)
- Halogen and Antimony Free. “Green” Device (Note 3)
- For automotive applications requiring specific change control (i.e. parts qualified to AEC-Q100/101/104/200, PPAP capable, and manufactured in IATF 16949 certified facilities), please [contact us](mailto:contact@diodes.com) or your local Diodes representative.
<https://www.diodes.com/quality/product-definitions/>
- Packaging (Pb-free & Green):
 - 36-Ball, WLCSP (GH) 2.10x2.10

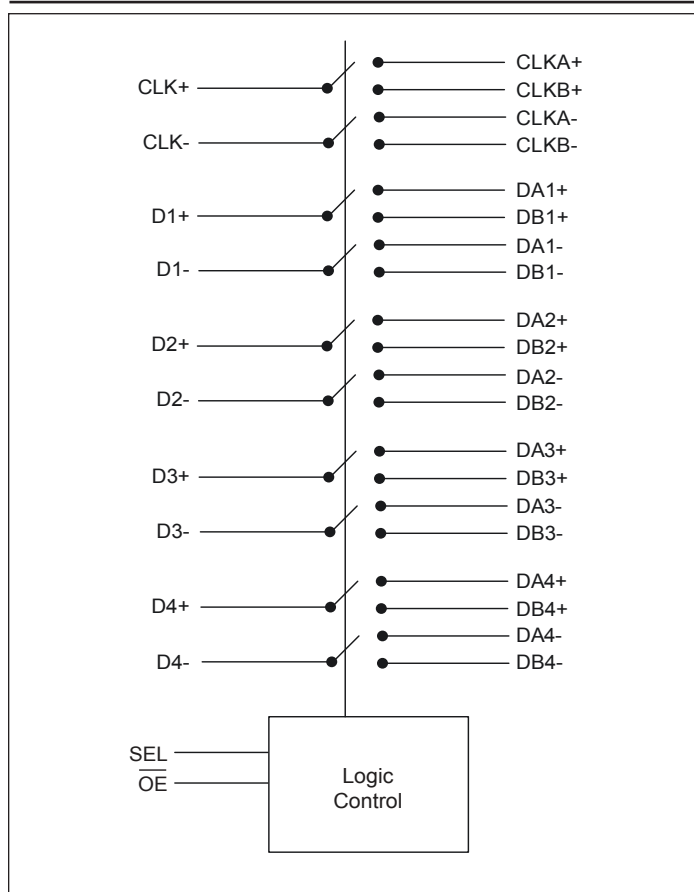
Application(s)

- Cellular Phones, Smart Phone
- Tablets
- Laptops
- Displays

Description

The DIODES™ PI3WVR2646 is a four-data-lane MIPI-D-PHY switch. This 10 channel single-pole, double-throw (SPDT) switch is optimized for switching between two high-speed (HS) or low-power (LP) MIPI signal. The PI3WVR2646 is designed for the MIPI specification and allows connection to a CSI or DSI module.

Block Diagram



Notes:

1. No purposely added lead. Fully EU Directive 2002/95/EC (RoHS), 2011/65/EU (RoHS 2) & 2015/863/EU (RoHS 3) compliant.
2. See <https://www.diodes.com/quality/lead-free/> for more information about Diodes Incorporated’s definitions of Halogen- and Antimony-free, "Green" and Lead-free.
3. Halogen- and Antimony-free "Green" products are defined as those which contain <900ppm bromine, <900ppm chlorine (<1500ppm total Br + Cl) and <1000ppm antimony compounds.

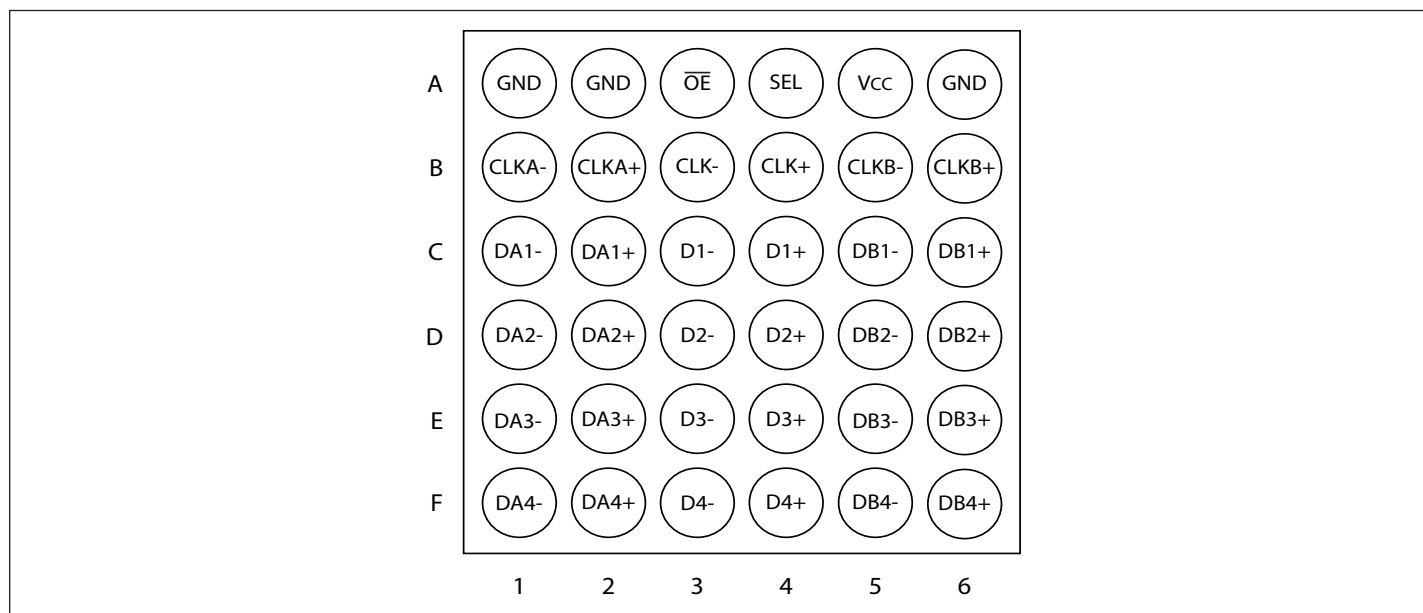
DIODES is a trademark of Diodes Incorporated in the United States and other countries.

The Diodes logo is a registered trademark of Diodes Incorporated in the United States and other countries.

Truth Table

SEL	$\overline{\text{OE}}$	Function
LOW	LOW	CLK+ = CLKA+, CLK- = CLKA-, Dn(+/-) = DAN(+/-)
HIGH	LOW	CLK+ = CLKB+, CLK- = CLKB-, Dn(+/-) = DBn(+/-)
X	HIGH	Clock and Data Ports High Impedance

Pin Configuration(Top View)



Pin Description

Pin#	Pin Name	Type	Description
A1	GND	Ground	Ground
A2	GND	Ground	Ground
A3	$\overline{\text{OE}}$	I	Output enable. if $\overline{\text{OE}}$ is low, IC is enabled. if $\overline{\text{OE}}$ is high, IC is power down and all I/Os are Hi-Z
A4	SEL	I	Switch logic control
A5	VCC	Power	1.5V to 3.6V power supply
A6	GND	Ground	Ground
B1	CLKA-	I/O	Clock negative differential signal for port A
B2	CLKA+	I/O	Clock positive differential signal for port A
B3	CLK-	I/O	Clock negative differential signal for COM port
B4	CLK+	I/O	Clock positive differential signal for COM port
B5	CLKB-	I/O	Clock negative differential signal for port B
B6	CLKB+	I/O	Clock positive differential signal for port B
C1	DA1-	I/O	Negative differential signal 1 for port A
C2	DA1+	I/O	Positive differential signal 1 for port A

Pin Description Cont.

Pin#	Pin Name	Type	Description
C3	D1-	I/O	Negative differential signal 1 for COM port
C4	D1+	I/O	Positive differential signal 1 for COM port
C5	DB1-	I/O	Negative differential signal 1 for port B
C6	DB1+	I/O	Positive differential signal 1 for port B
D1	DA2-	I/O	Negative differential signal 2 for port A
D2	DA2+	I/O	Positive differential signal 2 for port A
D3	D2-	I/O	Negative differential signal 2 for COM port
D4	D2+	I/O	Positive differential signal 2 for COM port
D5	DB2-	I/O	Negative differential signal 2 for port B
D6	DB2+	I/O	Positive differential signal 2 for port B
E1	DA3-	I/O	Negative differential signal 3 for port A
E2	DA3+	I/O	Positive differential signal 3 for port A
E3	D3-	I/O	Negative differential signal 3 for COM port
E4	D3+	I/O	Positive differential signal 3 for COM port
E5	DB3-	I/O	Negative differential signal 3 for port B
E6	DB3+	I/O	Positive differential signal 3 for port B
F1	DA4-	I/O	Negative differential signal 4 for port A
F2	DA4+	I/O	Positive differential signal 4 for port A
F3	D4-	I/O	Negative differential signal 4 for COM port
F4	D4+	I/O	Positive differential signal 4 for COM port
F5	DB4-	I/O	Negative differential signal 4 for port B
F6	DB4+	I/O	Positive differential signal 4 for port B

Absolute Maximum Ratings

(Above which useful life may be impaired. For user guidelines, not tested.)

V _{CC} , Supply Voltage,	-0.5V to 4.5V
V _{CNTRL} , DC Input Voltage (\overline{OE} , SEL) ⁽¹⁾	-0.5V to V _{CC}
V _{SW} , DC Switch I/O Voltage ^(1,2)	-0.3V to 2.5V
I _{IK} , DC Input Diodes Current	-50mA
I _{OUT} , DC Output Current	25mA
T _{STG} , Storage Temperature	-65°C to +150°C
T _j , Junction Temperature	125°C
ESD:	
Human Body Model, JEDEC: JESD22-A114, All Pins.....	2.0kV
Charged Device Model, JEDEC: JESD22-C101.....	1.0kV

Note:

Stresses greater than those listed under MAXIMUM RATINGS may cause permanent damage to the device. This is a stress rating only and functional operation of the device at these or any other conditions above those indicated in the operational sections of this specification is not implied. Exposure to absolute maximum rating conditions for extended periods may affect reliability.

Note:

1. The input and output negative ratings may be exceeded if the input and output diode current ratings are observed.
2. V_{SW} refers to analog data switch paths.

Recommended Operating Conditions

The Recommended operating Conditions table defines the conditions for actual device operation. Recommended operating conditions are specified to ensure optimal performance to the datasheet specifications.

Symbol	Description	Test Conditions	Min.	Max.	Units
V _{CC}	Supply Voltage		1.5	3.6	V
V _{CNTRL}	Control Input Voltage (SEL, \overline{OE}) ⁽¹⁾		0	V _{CC}	V
V _{SW}	Switch I/O Voltage (CLK-, D-, CLKA-, CLKB-, DA-, DB-)	- HS Mode	0	0.5	V
		- LP Mode	0	1.3	V
T _A	Operating Temperature		-40	+85	°C

Note:

1. The control inputs must be held HIGH or LOW; they must not float.

DC and Transient Characteristics

All typical values are at T_A = 25°C unless otherwise specified.

Symbol	Description	Test Conditions	V _{CC} (V)	T _A = -40°C to +85°C			Units
				Min.	Typ.	Max.	
V _{IK}	Clamp Diode Voltage (\overline{OE} , SEL)	I _{IN} = -18mA	1.5	-1.2		-0.6	V
V _{IH}	Input Voltage High	SEL, \overline{OE}	1.5 to 3.3	1.0			V
V _{IL}	Input Voltage Low	SEL, \overline{OE}	1.5 to 3.3			0.5	V
I _{IN}	Control Input Leakage (\overline{OE} , SEL)	V _{CNTRL} = 0 to V _{CC}	3.3	-0.5		0.5	μA
I _{NO(OFF)} I _{NC(OFF)}	Off Leakage Current of Port	V _{SW} = 0.0 ≤ DATA ≤ 1.3V	3.3	-0.5		0.5	μA
I _{A(ON)}	On Leakage Current of Common Ports	V _{SW} = 0.0 ≤ DATA ≤ 1.3V	3.3	-0.5		0.5	μA

DC and Transient Characteristics Cont.

Symbol	Description	Test Conditions	V _{CC} (V)	T _A = -40°C to +85°C			Units
				Min.	Typ.	Max.	
I _{OFF}	Power-Off Leakage Current (All I/O Ports)	V _{SW} = 0.0 or 1.3V	0	-0.5		0.5	μA
I _{OZ}	Off-State Leakage	V _{SW} = 0.0 ≤ DATA ≤ 1.3V, OE = High	3.6	-0.5		0.5	μA
R _{ON_MIPI_HS}	Switch On Resistance for HS MIPI	I _{ON} = -8mA, OE = 0V, SEL = V _{CC} or 0V, All I/O Switches = 0.2V	1.5		6		Ω
			2.5				
			3.3				
R _{ON_MIPI_LP}	Switch On Resistance for LP MIPI	I _{ON} = -8mA, OE = 0V, SEL = V _{CC} or 0V, All I/O Switches = 1.2V	1.5		6		Ω
			2.5				
			3.3				
ΔR _{ON_MIPI_HS}	On Resistance Matching Between HS MIPI Channels ⁽¹⁾	I _{ON} = -8mA, OE = 0V, SEL = V _{CC} or 0V, All I/O Switches = 0.2V	1.5		0.1		Ω
			2.5				
			3.3				
ΔR _{ON_MIPI_LP}	On Resistance Matching Between LP MIPI Channels ⁽¹⁾	I _{ON} = -8mA, OE = 0V, SEL = V _{CC} or 0V, All I/O Switches = 1.2V	1.5		0.1		Ω
			2.5				
			3.3				
R _{ON_FLAT_MIPI_HS}	On Resistance Flatness for HS MIPI	I _{ON} = -8mA, OE = 0V, SEL = V _{CC} or 0V, All I/O Switches = 0 to 0.5V	1.5		0.3		Ω
			2.5				
			3.3				
R _{ON_FLAT_MIPI_LP}	On Resistance Flatness for LP MIPI	I _{ON} = -8mA, OE = 0V, SEL = V _{CC} or 0V, All I/O Switches = 0 to 1.3V	1.5		0.3		Ω
			2.5				
			3.3				
I _{CC}	Quiescent Supply Current	V _{SEL} = 0 or V _{CC} , I _{OUT} = 0, OE = 0V	3.6		15	32	μA
I _{CCZ}	Quiescent Supply Current (High Impedance)	V _{SEL} = 0 or V _{CC} , I _{OUT} = 0, OE = High	3.6		0.5	1.0	μA
I _{CCCT}	Increase in I _{CC} Current Per Control Voltage and V _{CC}	V _{SEL} = 0 or V _{CC} , OE = 1.5V	3.6		1		μA

AC Electrical Characteristics

All typical values are for $V_{CC} = 3.3V$ and $T_A = 25^\circ C$ unless otherwise specified.

Symbol	Description	Test Conditions	V_{CC} (V)	$T_A = -40^\circ C$ to $+85^\circ C$			Units
				Min.	Typ.	Max.	
t_{INIT}	Initialization Time V_{CC} to Output ⁽¹⁾	$R_L = 50\Omega, C_L = 0pF, V_{SW} = 0.6V$	1.5 to 3.6		60		μs
t_{EN}	Enable Time \overline{OE} to Output	$R_L = 50\Omega, C_L = 0pF, V_{SW} = 0.6V$	1.5 to 3.6		60	150	μs
t_{DIS}	Disable Time \overline{OE} to Output	$R_L = 50\Omega, C_L = 0pF, V_{SW} = 0.6V$	1.5 to 3.6		35	250	ns
t_{ON}	Turn-On Time SEL to Output	$R_L = 50\Omega, C_L = 0pF, V_{SW} = 0.6V$	1.5 to 3.6		350	1500	ns
t_{OFF}	Turn-Off Time SEL to Output	$R_L = 50\Omega, C_L = 0pF, V_{SW} = 0.6V$	1.5 to 3.6		125	800	ns
t_{BBM}	Break-Before-Make Time	$R_L = 50\Omega, C_L = 0pF, V_{SW} = 0.6V$	1.5 to 3.6			1000	ns
t_{PD}	Propagation Delay ⁽¹⁾	$C_L = 0pF, R_L = 50\Omega$	1.5 to 3.6			0.25	ns
O_{IRR}	Differential Off Isolation for MIPI ⁽¹⁾	$R_L = 50\Omega, f = 1250MHz, OE = HIGH, V_{SW} = 0.5V$	1.5 to 3.6		-26		dB
X_{TALK}	Differential Crosstalk for MIPI ⁽¹⁾	$R_L = 50\Omega, f = 1250MHz, SEL = HIGH, V_{SW} = 0.5V$	1.5 to 3.6			-30	dB
I_{LOSS}	Differential Insertion Loss ⁽¹⁾	$R_L = 50\Omega, C_L = 0pF, f = 1250MHz, V_{SW} = 0.5V$	1.5 to 3.6		-0.8		
BW	Differential -3db Bandwidth ⁽¹⁾	$R_L = 50\Omega, C_L = 0pF, V_{SW} = 0.5V$	1.5 to 3.6	3	4.1		GHz

Note:

1. Guaranteed by characterization.

PI3WVR2646

High-Speed-Related AC Electrical Characteristics

Symbol	Description	Test Conditions	V _{CC} (V)	T _A = -40°C to +85°C			Units
				Min.	Typ.	Max.	
t _{SK(P)}	D-PHY HS Mode Skew of Opposite Transitions of the Same Output ⁽¹⁾	R _L = 50Ω, C _L = 0pF, V _{SW} = 0.3V	1.5 to 3.6		4		ps
	C-PHY HS Mode Skew of 3 channels in same lane	R _L = 50Ω, C _L = 0pF, V _{SW} = 0.5V	1.5 to 3.6		4		
	D-PHY HS Mode Skew of all group A or group B channels ⁽¹⁾	R _L = 50Ω, C _L = 0pF, V _{SW} = 0.3V	1.5 to 3.6		8		

Note:

1. Guaranteed by characterization.

Capacitance

Symbol	Description	Test Conditions	T _A = -40°C to +85°C			Units
			Min.	Typ.	Max.	
C _{IN}	Control Pin Input Capacitance ⁽¹⁾	V _{CC} = 0V, f = 1MHz		2.1		pF
C _{ON}	On Capacitance ⁽¹⁾	V _{CC} = 3.3V, \overline{OE} = 0V, f = 1250MHz (In HS common value)		1.5		pF
C _{OFF}	Off Capacitance ⁽¹⁾	V _{CC} or \overline{OE} = 3.3V, f = 1250MHz (Both sides in HS common value)		0.9		pF

Note:

1. Guaranteed by characterization.

Part Marking

PI3WVR 2646GHE ZYYWWXX

Z: Die Rev

YY: Date Code (Year)

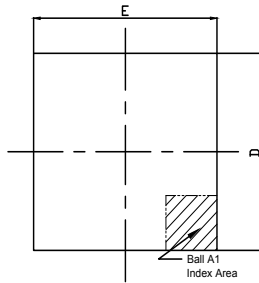
WW: Date Code (Workweek)

1st X: Assembly Site Code

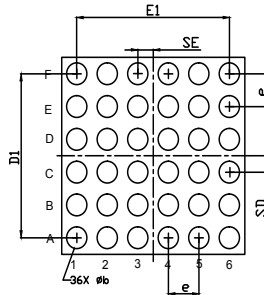
2nd X: Fab Site Code

Packaging Mechanical

36-WLCSP (GH)

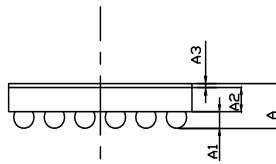


TOP VIEW

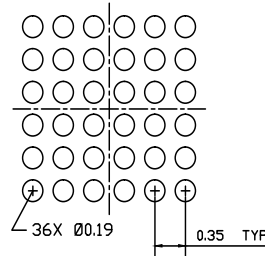


BOTTOM VIEW

SYMBOL	PKG. DIMENSIONS(MM)		
	Min.	Nom.	Max.
A	0.393	0.438	0.483
A1	0.135	0.155	0.175
A2	0.238	0.258	0.278
A3	0.020	0.025	0.030
D	2.070	2.100	2.130
E	2.070	2.100	2.130
D1	1.700	1.750	1.800
E1	1.700	1.750	1.800
b	0.190	0.210	0.230
e	0.350BSC		
SD	0.175 BSC		
SE	0.175 BSC		



SIDE VIEW



BOTTOMRECOMMEND LAND PATTERN VIEW

Note:

1. ALL DIMENSIONS ARE IN MILLIMETERS (ANGLES IN DEGREES).

		DATE: 02/10/20
DESCRIPTION: 36-Ball, WLCSP, 2.10x2.10 (X1-WLB2121-36)		
PACKAGE CODE: GH (GH36)		
DOCUMENT CONTROL #: PD-2252		REVISION:A

For latest package info. 20-1127

please check: <http://www.diodes.com/design/support/packaging/pericom-packaging/packaging-mechanicals-and-thermal-characteristics/>

Ordering Information

Ordering Code	Package Code	Package Description
PI3WVR2646GHEX	GH	36-Ball, 2.10x2.10, (WLCSP) X1-WLB2121-36

Notes:

1. No purposely added lead. Fully EU Directive 2002/95/EC (RoHS), 2011/65/EU (RoHS 2) & 2015/863/EU (RoHS 3) compliant.
2. See <https://www.diodes.com/quality/lead-free/> for more information about Diodes Incorporated's definitions of Halogen- and Antimony-free, "Green" and Lead-free.
3. Halogen- and Antimony-free "Green" products are defined as those which contain <900ppm bromine, <900ppm chlorine (<1500ppm total Br + Cl) and <1000ppm antimony compounds.
4. E = Pb-free and Green
5. X suffix = Tape/Reel

IMPORTANT NOTICE

1. DIODES INCORPORATED (Diodes) AND ITS SUBSIDIARIES MAKE NO WARRANTY OF ANY KIND, EXPRESS OR IMPLIED, WITH REGARDS TO ANY INFORMATION CONTAINED IN THIS DOCUMENT, INCLUDING, BUT NOT LIMITED TO, THE IMPLIED WARRANTIES OF MERCHANTABILITY, FITNESS FOR A PARTICULAR PURPOSE OR NON-INFRINGEMENT OF THIRD PARTY INTELLECTUAL PROPERTY RIGHTS (AND THEIR EQUIVALENTS UNDER THE LAWS OF ANY JURISDICTION).
2. The Information contained herein is for informational purpose only and is provided only to illustrate the operation of Diodes' products described herein and application examples. Diodes does not assume any liability arising out of the application or use of this document or any product described herein. This document is intended for skilled and technically trained engineering customers and users who design with Diodes' products. Diodes' products may be used to facilitate safety-related applications; however, in all instances customers and users are responsible for (a) selecting the appropriate Diodes products for their applications, (b) evaluating the suitability of Diodes' products for their intended applications, (c) ensuring their applications, which incorporate Diodes' products, comply the applicable legal and regulatory requirements as well as safety and functional-safety related standards, and (d) ensuring they design with appropriate safeguards (including testing, validation, quality control techniques, redundancy, malfunction prevention, and appropriate treatment for aging degradation) to minimize the risks associated with their applications.
3. Diodes assumes no liability for any application-related information, support, assistance or feedback that may be provided by Diodes from time to time. Any customer or user of this document or products described herein will assume all risks and liabilities associated with such use, and will hold Diodes and all companies whose products are represented herein or on Diodes' websites, harmless against all damages and liabilities.
4. Products described herein may be covered by one or more United States, international or foreign patents and pending patent applications. Product names and markings noted herein may also be covered by one or more United States, international or foreign trademarks and trademark applications. Diodes does not convey any license under any of its intellectual property rights or the rights of any third parties (including third parties whose products and services may be described in this document or on Diodes' website) under this document.
5. Diodes' products are provided subject to Diodes' Standard Terms and Conditions of Sale (<https://www.diodes.com/about/company/terms-and-conditions/terms-and-conditions-of-sales/>) or other applicable terms. This document does not alter or expand the applicable warranties provided by Diodes. Diodes does not warrant or accept any liability whatsoever in respect of any products purchased through unauthorized sales channel.
6. Diodes' products and technology may not be used for or incorporated into any products or systems whose manufacture, use or sale is prohibited under any applicable laws and regulations. Should customers or users use Diodes' products in contravention of any applicable laws or regulations, or for any unintended or unauthorized application, customers and users will (a) be solely responsible for any damages, losses or penalties arising in connection therewith or as a result thereof, and (b) indemnify and hold Diodes and its representatives and agents harmless against any and all claims, damages, expenses, and attorney fees arising out of, directly or indirectly, any claim relating to any noncompliance with the applicable laws and regulations, as well as any unintended or unauthorized application.
7. While efforts have been made to ensure the information contained in this document is accurate, complete and current, it may contain technical inaccuracies, omissions and typographical errors. Diodes does not warrant that information contained in this document is error-free and Diodes is under no obligation to update or otherwise correct this information. Notwithstanding the foregoing, Diodes reserves the right to make modifications, enhancements, improvements, corrections or other changes without further notice to this document and any product described herein. This document is written in English but may be translated into multiple languages for reference. Only the English version of this document is the final and determinative format released by Diodes.
8. Any unauthorized copying, modification, distribution, transmission, display or other use of this document (or any portion hereof) is prohibited. Diodes assumes no responsibility for any losses incurred by the customers or users or any third parties arising from any such unauthorized use.
9. This Notice may be periodically updated with the most recent version available at <https://www.diodes.com/about/company/terms-and-conditions/important-notice>

DIODES is a trademark of Diodes Incorporated in the United States and other countries.

The Diodes logo is a registered trademark of Diodes Incorporated in the United States and other countries.

© 2022 Diodes Incorporated. All Rights Reserved.

www.diodes.com