

NL3HS644

2:1 MIPI D-PHY (1.5 Gbps) 4-Data Lane Switch

The NL3HS644 is a 4-data lane MIPI, D-PHY switch. This single-pole double-throw (SPDT) switch is optimized for switching between 2 high-speed or low-power MIPI sources. The NL3HS644 is designed for MIPI specifications and allows connection to a CSI or DSI module.

Features

- Operating Supply: $V_{CC} = 1.65\text{ V to }4.5\text{ V}$
- Switch Signal Range: $0\text{ to }V_{CC}$
- Signal Types: MIPI, D-PHY
- ON-Resistance:
 - $R_{ON} = 8\ \Omega$ (Typ) HS MIPI
 - $R_{ON} = 7.9\ \Omega$ (Typ) LP MIPI
- ON-Resistance Mismatch:
 - $\Delta R_{ON} = 0.09\ \Omega$ (Typ) HS MIPI
 - $\Delta R_{ON} = 0.17\ \Omega$ (Typ) LP MIPI
- ON Resistance Flatness:
 - $R_{ON_FLAT} = 0.03\ \Omega$ (Typ) HS MIPI
 - $R_{ON_FLAT} = 0.46\ \Omega$ (Typ) LP MIPI
- Supply Current: $I_{CC} = 55\ \mu\text{A}$ (Max)
- Hi-Z Supply Current: $I_{CCZ} = 5\ \mu\text{A}$ (Max)
- Off-Isolation: $O_{IRR} = -27\ \text{dB}$ (Typ)
- Crosstalk: $X_{TALK} = -28\ \text{dB}$ (Typ)
- Bandwidth: $BW = 1,050\ \text{MHz}$ (Typ)
- Channel to Channel Skew: $t_{SK} = 63\ \text{ps}$ (Typ)
- ON Capacitance: $C_{ON} = 12.6\ \text{pF}$
- 36-Ball WLCSP Package, $2.36\ \text{mm} \times 2.36\ \text{mm}$
- This device is Pb-Free, Halogen-Free/BFR-Free and are RoHS-Compliant

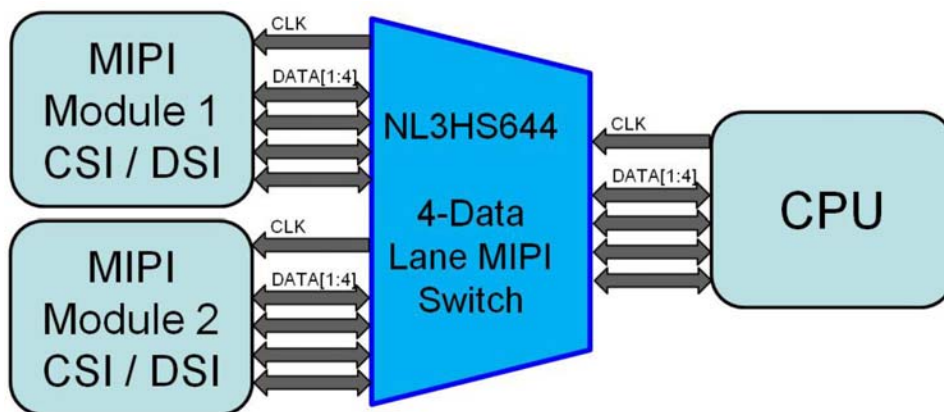


Figure 1. Typical Application – Mobile Phone



ON Semiconductor®

www.onsemi.com



WLCSP36
FC SUFFIX
CASE 567LR

MARKING DIAGRAM



XXXXXX = Device Code
A = Assembly Location
WL = Wafer Lot
Y = Year
WW = Work Week
▪ = Pb-Free Package

ORDERING INFORMATION

See detailed ordering, marking and shipping information in the package dimensions section on page 8 of this data sheet.

NL3HS644

FUNCTION TABLE

OE	SEL	FUNCTION
L	L	CLKP = CLKAP, CLKN = CLKAN, DnP = DAnP, DnN = DAnN
L	H	CLKP = CLKBP, CLKN = CLKBN, DnP = DBnP, DnN = DBnN
H	X	CLKAP/CLKAN, CLKBP/CLKBN, DAnP/DAnN, DBnP/DBnN Ports at High Impedance

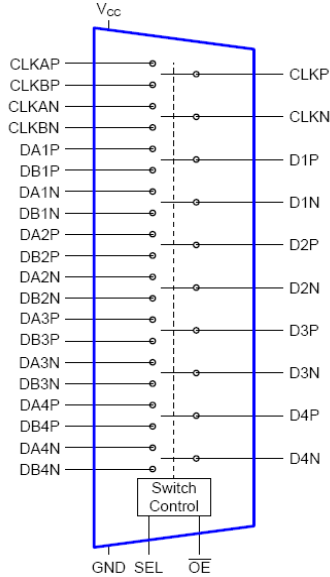


Figure 2. Block Diagram

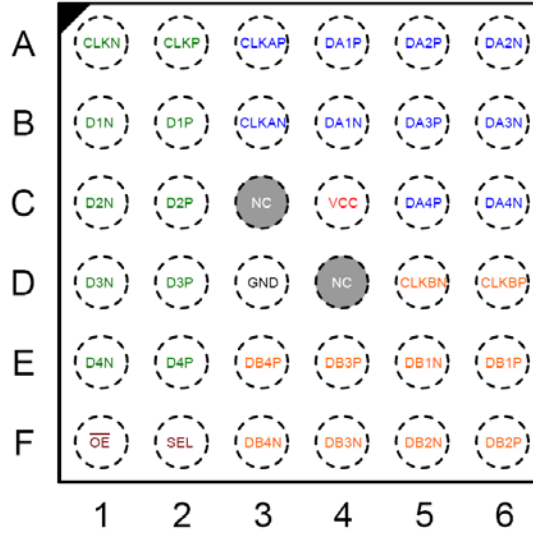


Figure 3. Pinout (Top Through View)

PIN ASSIGNMENT

Pin Name	Ball	Description	
CLKP / CLKN	A2 / A1	Common Clock Path	
D1P / D1N	B2 / B1	Common Data Path 1	
D2P / D2N	C2 / C1	Common Data Path 2	
D3P / D3N	D2 / D1	Common Data Path 3	
D4P / D4N	E2 / E1	Common Data Path 4	
CLKAP / CLKAN	A3 / B3	A-Side Clock Path	
DA1P / DA1N	A4 / B4	A-Side Data Path 1	
DA2P / DA2N	A5 / A6	A-Side Data Path 2	
DA3P / DA3N	B5 / B6	A-Side Data Path 3	
DA4P / DA4N	C5 / C6	A-Side Data Path 4	
CLKBP / CLKBN	D6 / D5	B-Side Clock Path	
DB1P / DB1N	E6 / E5	B-Side Data Path 1	
DB2P / DB2N	F6 / F5	B-Side Data Path 2	
DB3P / DB3N	E4 / F4	B-Side Data Path 3	
DB4P / DB4N	E3 / F3	B-Side Data Path 4	
SEL	F2	Control Pin	
		SEL = L:	CLKP = CLKAP, CLKN = CLKAN, DnP = DAnP, DnN = DAnN
		SEL = H:	CLKP = CLKBP, CLKN = CLKBN, DnP = DBnP, DnN = DBnN
OE	F1	Output Enable	
VCC	C4	Power	
GND	D3	Ground	
NC	C3 / D4	No Connect	

NL3HS644

MAXIMUM RATINGS

Symbol	Rating	Value	Unit
V_{CC}	Positive DC Supply Voltage	-0.5 to +5.5	V
V_{IS}	Analog Input Voltage	-0.5 to $V_{CC} + 0.5$	V
V_{IN}	Digital Control Input Voltage (SEL or \overline{OE})	-0.5 to +5.5	V
I_{OS}	Switch Output Current	50	mA
I_{IOK}	Switch Input/Output Diode Current	-50	mA
I_{IK}	Control Input Diode Current	± 50	mA
T_s	Storage Temperature	-65 to +150	$^{\circ}C$

Stresses exceeding those listed in the Maximum Ratings table may damage the device. If any of these limits are exceeded, device functionality should not be assumed, damage may occur and reliability may be affected.

RECOMMENDED OPERATING CONDITIONS

Symbol	Parameter	Min	Max	Unit
V_{CC}	Positive DC Supply Voltage	1.65	4.5	V
V_{IS}	Switch Input / Output Voltage			V
	HS Mode	0.1	0.3	
	LP Mode	0	1.2	
V_{IN}	Digital Control Input Voltage (SEL or \overline{OE}) (Note 1)	GND	V_{CC}	V

1. Control input must be held High or Low. It must not float.

DC ELECTRICAL CHARACTERISTICS

Voltages referenced to GND. All typical values are at $T_A = 25^{\circ}C$ unless otherwise specified.

Symbol	Parameter	Condition	V_{CC} (V)	$T_A = -40^{\circ}C$ to $+85^{\circ}C$			Unit
				Min	Typ	Max	

DIGITAL CONTROL SECTION (SEL or \overline{OE})

V_{IK}	Clamp Diode Voltage	$I_{IN} = -18$ mA	2.8			-1.2	V
V_{IH}	Input Voltage High		1.65 – 4.5	1.0			V
V_{IL}	Input Voltage Low		1.65 – 4.5			0.4	V
I_{IN}	Input Leakage Current	$V_{IN} = 0$ V to V_{CC}	1.65 – 4.5			± 100	nA

SWITCHES

$R_{ON_MIPI_HS}$	Switch ON Resistance for HS MIPI Applications (Note 2)	$I_{ON} = -10$ mA, $\overline{OE} = 0$ V, SEL = V_{CC} or 0 V, CLKA, CLKB, DBn or DAn = 0.1, 0.2, 0.3 V	1.8		9	12	Ω
			2.5		8	9	
			3.6		8	9	
			4.5		8	9	
$R_{ON_MIPI_LP}$	Switch ON Resistance for LP MIPI Applications (Note 2)	$I_{ON} = -10$ mA, $\overline{OE} = 0$ V, SEL = V_{CC} or 0 V, CLKA, CLKB, DBn or DAn = 0, 0.6, 1.2 V	1.8		9.5	12	Ω
			2.5		8.5	10	
			3.6		7.9	9	
			4.5		7.6	9	
$\Delta R_{ON_MIPI_HS}$	ON Resistance Matching Between HS MIPI Channels (Note 3)	$I_{ON} = -10$ mA, $\overline{OE} = 0$ V, SEL = V_{CC} or 0 V, CLKA, CLKB, DBn or DAn = 0.1, 0.2, 0.3 V	1.8		0.02		Ω
			2.5		0.09		
			3.6		0.09		
			4.5		0.08		

2. Measured by the voltage drop between A and B pins at the indicated current through the switch. ON resistance is determined by the lower of the voltage on the two (A or B ports).

3. Guaranteed by characterization.

NL3HS644

DC ELECTRICAL CHARACTERISTICS

Voltages referenced to GND. All typical values are at $T_A = 25^\circ\text{C}$ unless otherwise specified.

Symbol	Parameter	Condition	V_{CC} (V)	$T_A = -40^\circ\text{C to } +85^\circ\text{C}$			Unit
				Min	Typ	Max	
SWITCHES							
$\Delta R_{ON_MIPI_LP}$	ON Resistance Matching Between LP MIPI Channels (Note 3)	$I_{ON} = -10\text{ mA}$, $\overline{OE} = 0\text{ V}$, SEL = V_{CC} or 0 V, CLKA, CLKB, DBn or DAN = 0, 0.6, 1.2 V	1.8		0.17		Ω
			2.5		0.12		
			3.6		0.17		
			4.5		0.09		
$R_{ON_FLAT_MIPI_HS}$	ON Resistance Flatness for HS MIPI Channels (Note 3)	$I_{ON} = -10\text{ mA}$, $\overline{OE} = 0\text{ V}$, SEL = V_{CC} or 0 V, CLKA, CLKB, DBn or DAN = 0.1, 0.2, 0.3 V	1.8		0.23		Ω
			2.5		0.11		
			3.6		0.03		
			4.5		0.02		
$R_{ON_FLAT_MIPI_LP}$	ON Resistance Flatness for LP MIPI Channels (Note 3)	$I_{ON} = -10\text{ mA}$, $\overline{OE} = 0\text{ V}$, SEL = V_{CC} or 0 V, CLKA, CLKB, DBn or DAN = 0, 0.6, 1.2 V	1.8		2.09		Ω
			2.5		1.19		
			3.6		0.46		
			4.5		0.08		
$I_{NO(OFF)}, I_{NC(OFF)}$	OFF Leakage Current (CLKAn, DAN, CLKBn, DBn)	CLKn, Dn = 0.3 V, $V_{CC} - 0.3\text{ V}$, CLKAn, DAN, or CLKBn; DBn = $V_{CC} - 0.3\text{ V}$, 0.3 V or Floating; $\overline{OE} = 0\text{ V}$	1.65 – 4.5			± 100	nA
$I_{A(ON)}$	ON Leakage Current of Common Ports (CLKn, Dn)	CLKn, Dn = 0.3 V, $V_{CC} - 0.3\text{ V}$, CLKAn, DAN, or CLKBn; DBn = $V_{CC} - 0.3\text{ V}$, 0.3 V or Floating; $\overline{OE} = 0\text{ V}$	1.65 – 4.5			± 100	nA
V_{IK}	Clamp Diode Voltage	$I_{IN} = -18\text{ mA}$	2.8			-1.2	V
I_{OZ}	Off-State Leakage Current	$0 \leq \text{CLKn, Dn, CLKAn, CLKBn, DAN, DBn} \leq 3.6\text{ V}$; $\overline{OE} = \text{High}$	4.5			± 100	nA

SUPPLY CURRENTS

I_{CCZ}	Quiescent Hi-Z Supply Current	$V_{IN} = 0$ or V_{CC} , $I_{OUT} = 0$	4.5			0.5	μA
I_{CC}	Quiescent Supply Current	$V_{IN} = 0$ or V_{CC} , $I_{OUT} = 0$	2.5 to 4.5			55	μA
			1.8			30	
I_{CCT}	Increase in I_{CC} Current per Control Voltage and V_{CC}	V_{SEL} , $V(\overline{OE}) = 1.65\text{ V}$	4.5			4.0	μA
			2.5	0.1		1.0	

2. Measured by the voltage drop between A and B pins at the indicated current through the switch. ON resistance is determined by the lower of the voltage on the two (A or B ports).
3. Guaranteed by characterization.

NL3HS644

AC ELECTRICAL CHARACTERISTICS All typical values are for $V_{CC} = 3.3\text{ V}$ at $T_A = 25^\circ\text{C}$ unless otherwise specified.

Symbol	Parameter	Condition	V_{CC} (V)	$T_A = -40^\circ\text{C to } +85^\circ\text{C}$			Unit
				Min	Typ	Max	
t_{INIT}	Initialization Time V_{CC} to Output (Notes 4, 5)	$R_L = 50\ \Omega$, $C_L = 5\ \text{pF}$, $V_{IS} = 1.2\ \text{V}$ Figure 4	2.5 to 4.5	100			μs
			1.8	150			
t_{EN}	Enable Turn-On Time \overline{OE} to Output	$R_L = 50\ \Omega$, $C_L = 5\ \text{pF}$, $V_{IS} = 1.2\ \text{V}$ Figure 5	2.5 to 4.5		120	200	μs
			1.8		250	500	
t_{DIS}	Disable Turn-Off Time \overline{OE} to Output	$R_L = 50\ \Omega$, $C_L = 5\ \text{pF}$, $V_{IS} = 1.2\ \text{V}$ Figure 5	2.5 to 4.5		25	50	ns
			1.8		50	90	
t_{ON}	Turn-On Time SEL to Output	$R_L = 50\ \Omega$, $C_L = 5\ \text{pF}$, $V_{IS} = 1.2\ \text{V}$ Figure 5	2.5 to 4.5		50	100	ns
			1.8		75	125	
t_{OFF}	Turn-Off Time SEL to Output	$R_L = 50\ \Omega$, $C_L = 5\ \text{pF}$, $V_{IS} = 1.2\ \text{V}$ Figure 5	2.5 to 4.5		50	200	ns
			1.8		200	325	
t_{BBM}	Break-Before-Make Time	$R_L = 50\ \Omega$, $C_L = 5\ \text{pF}$, $V_{IS} = 1.2\ \text{V}$ Figure 6		10	50		ns
O_{IRR}	Off-Isolation for MIPI (Note 4)	$R_L = 50\ \Omega$, $f = 750\ \text{MHz}$, $\overline{OE} = V_{CC}$, $V_{IS} = -1\ \text{dBm}$ (200 mV _{PP})	1.65 to 4.5		-27		dB
X_{TALK}	Crosstalk for MIPI (Note 4)	$R_L = 50\ \Omega$, $f = 750\ \text{MHz}$, $V_{IS} = -1\ \text{dBm}$ (200 mV _{PP})	1.65 to 4.5		-28		dB
BW	-3 dB Bandwidth (Note 4)	$R_L = 50\ \Omega$, $C_L = 0\ \text{pF}$	3.0	900	1050		MHz
S_{DD21}	Differential Data Rate	Inter-Operability Data Rate	3.0		1.5		Gbps

4. Guaranteed by characterization.

5. Wait time required after V_{CC} power-up to operating level before data access is valid.

HIGH SPEED-RELATED AC ELECTRICAL CHARACTERISTICS

Symbol	Parameter	Condition	V_{CC} (V)	$T_A = -40^\circ\text{C to } +85^\circ\text{C}$			Unit
				Min	Typ	Max	
$t_{SK(O)}$	Channel-to-Channel Single-Ended Skew (Note 6)	TDR-Based Method ($V_{IS} = 0.2\ V_{PP}$, $C_L = C_{ON}$) Figure 7	3.3		63	67	ps
$t_{SK(P)}$	Skew of Opposite Transitions of the Same Output (Note 6)	TDR-Based Method ($V_{IS} = 0.2\ V_{PP}$, $C_L = C_{ON}$) Figure 8	3.3		17	31	ps

6. Guaranteed by characterization.

CAPACITANCE

Symbol	Parameter	Condition	V_{CC} (V)	$T_A = -40^\circ\text{C to } +85^\circ\text{C}$			Unit
				Min	Typ	Max	
C_{IN}	Control Pin Input Capacitance	$V_{CC} = 0\ \text{V}$, $f = 1\ \text{MHz}$	3.3		14.9		pF
C_{ON}	Out ON Capacitance	$V_{CC} = 3.3\ \text{V}$, $\overline{OE} = 0\ \text{V}$, $f = 1\ \text{MHz}$	3.3		12.6		pF
C_{OFF}	Out OFF Capacitance	$V_{CC} = 3.3\ \text{V}$, $\overline{OE} = 3.3\ \text{V}$, $f = 1\ \text{MHz}$	3.3		7.4		pF

Timing Diagrams

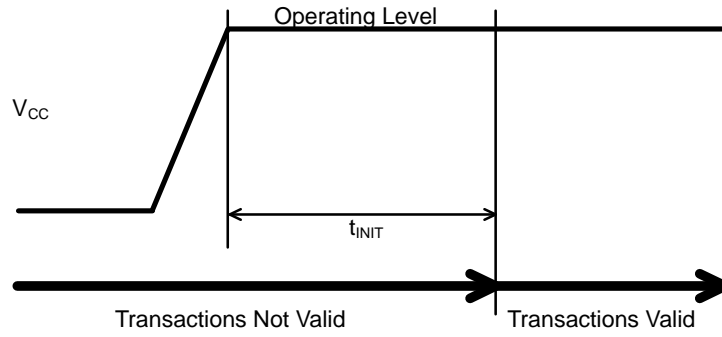


Figure 4. t_{INIT} , Initialization Time

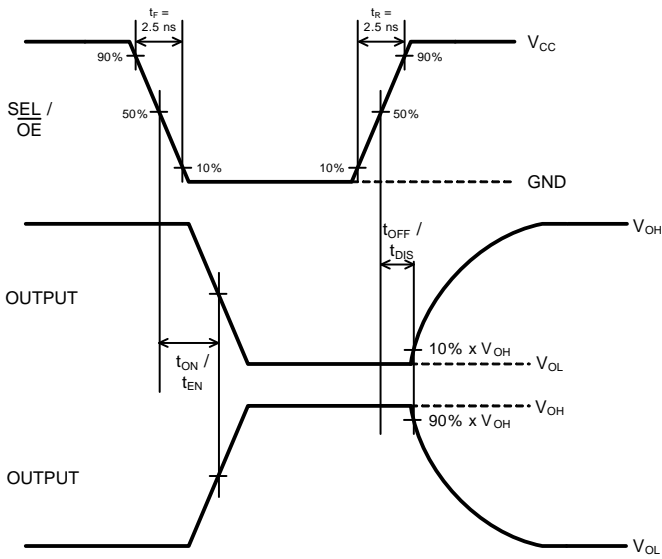


Figure 5. t_{EN} , t_{DIS} , t_{ON} , t_{OFF} Times

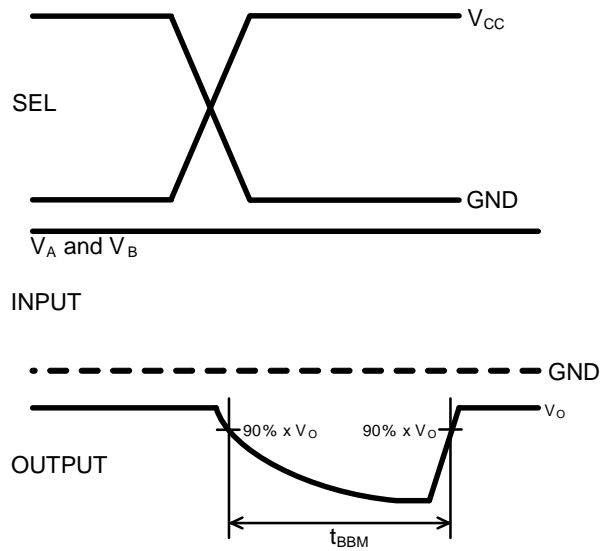


Figure 6. t_{BBM} , Break-Before-Make Time

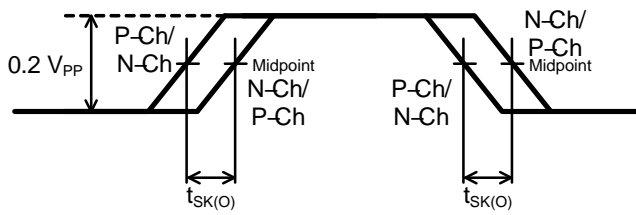


Figure 7. $t_{SK(O)}$, Channel-to-Channel Single-Ended

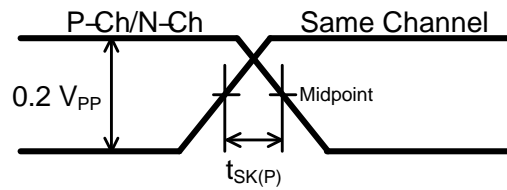


Figure 8. $t_{SK(P)}$, Same Channel Opposite Transitions

NL3HS644

Eye Diagrams

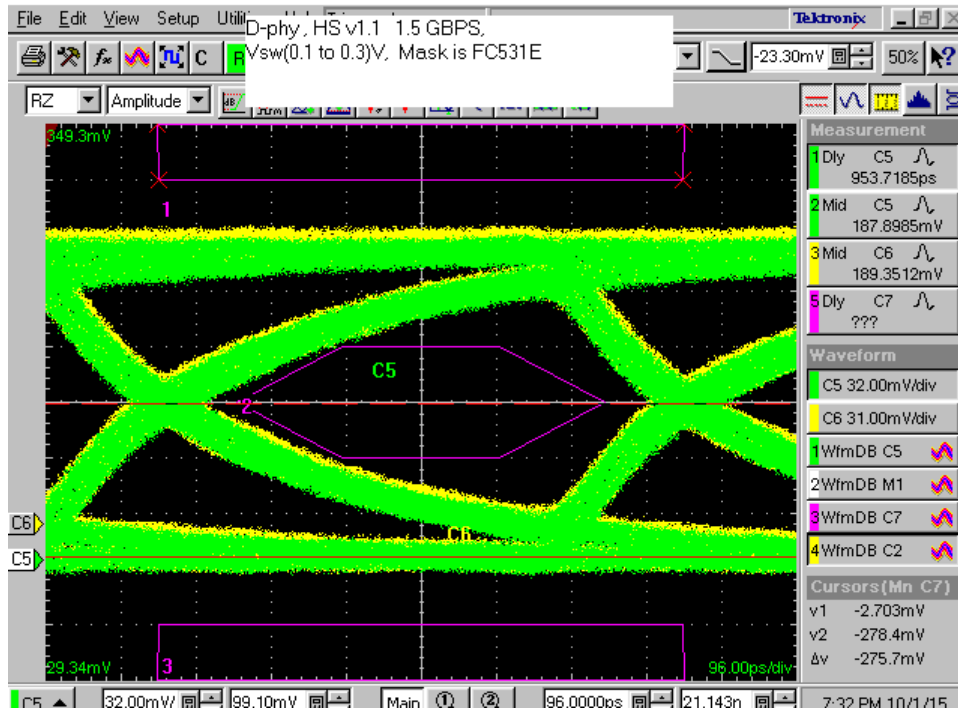


Figure 9. D-PHY HS 1.5 Gbps with Eye Mask

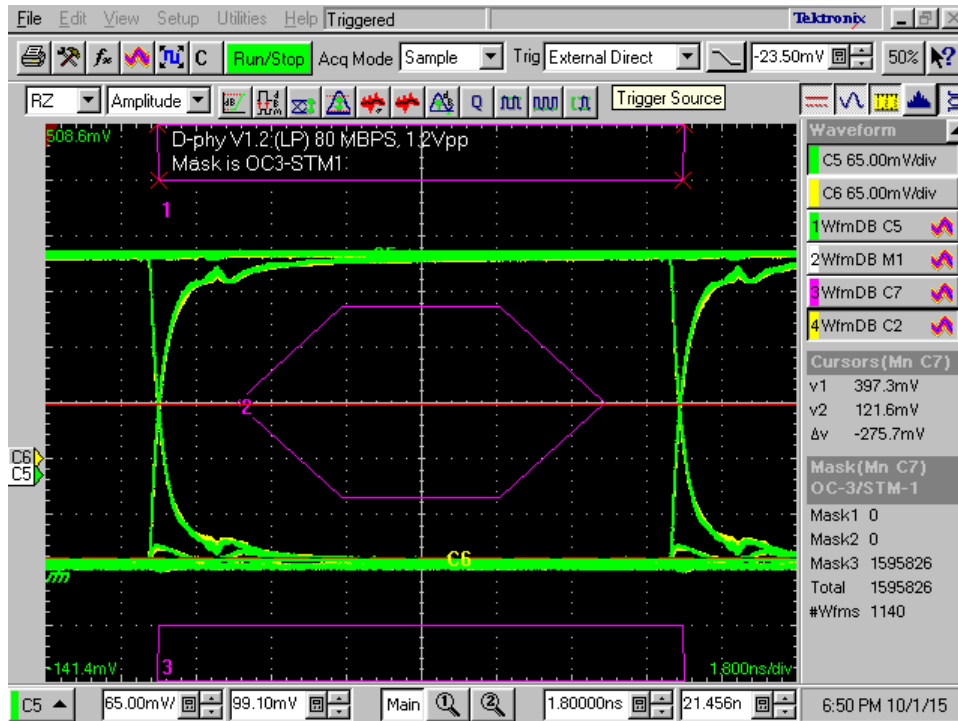


Figure 10. D-PHY LP 80 Mbps with Eye Mask

NL3HS644

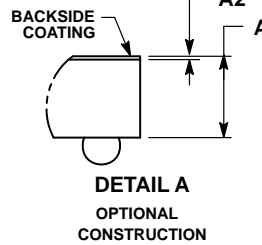
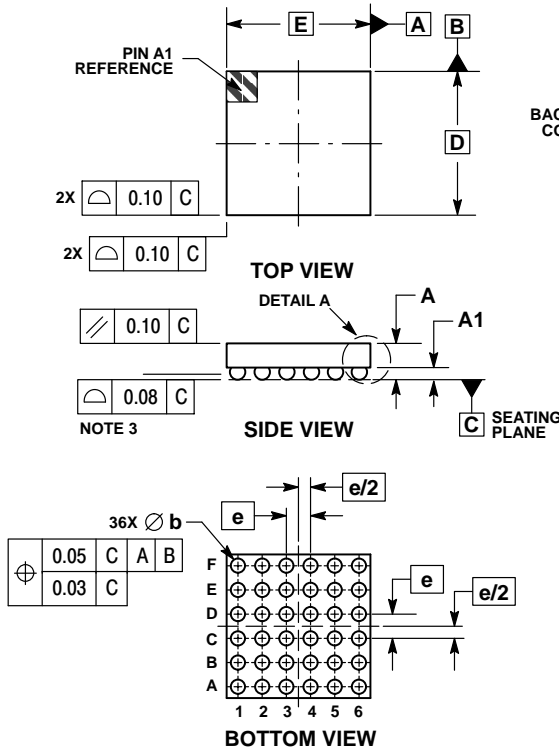
DEVICE ORDERING INFORMATION

Device Order Number	Device Code	Package Type	Tape & Reel Size†
NL3HS644FCTAG	3HS644	36-ball WLCSP (Pb-Free)	3000 / Tape & Reel
NL3HS644BFCTAG (Backside Coated)	HS644B	36-ball WLCSP (Pb-Free)	3000 / Tape & Reel

†For information on tape and reel specifications, including part orientation and tape sizes, please refer to our Tape and Reel Packaging Specifications Brochure, BRD8011/D.

PACKAGE DIMENSIONS

WLCSP36 2.34x2.34 CASE 567LR ISSUE B

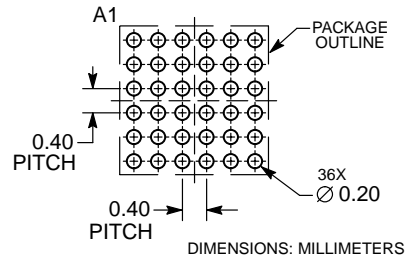


NOTES:

1. DIMENSIONING AND TOLERANCING PER ASME Y14.5M, 1994.
2. CONTROLLING DIMENSION: MILLIMETERS.
3. COPLANARITY APPLIES TO SPHERICAL CROWNS OF SOLDER BALLS.

DIM	MILLIMETERS	
	MIN	MAX
A	---	0.54
A1	0.17	0.23
A2	0.00	0.027
b	0.24	0.30
D	2.34 BSC	
E	2.34 BSC	
e	0.40 BSC	

RECOMMENDED SOLDERING FOOTPRINT*



*For additional information on our Pb-Free strategy and soldering details, please download the ON Semiconductor Soldering and Mounting Techniques Reference Manual, SOLDERRM/D.

ON Semiconductor and the are registered trademarks of Semiconductor Components Industries, LLC (SCILLC) or its subsidiaries in the United States and/or other countries. SCILLC owns the rights to a number of patents, trademarks, copyrights, trade secrets, and other intellectual property. A listing of SCILLC's product/patent coverage may be accessed at www.onsemi.com/site/pdf/Patent-Marketing.pdf. SCILLC reserves the right to make changes without further notice to any products herein. SCILLC makes no warranty, representation or guarantee regarding the suitability of its products for any particular purpose, nor does SCILLC assume any liability arising out of the application or use of any product or circuit, and specifically disclaims any and all liability, including without limitation special, consequential or incidental damages. "Typical" parameters which may be provided in SCILLC data sheets and/or specifications can and do vary in different applications and actual performance may vary over time. All operating parameters, including "Typicals" must be validated for each customer application by customer's technical experts. SCILLC does not convey any license under its patent rights nor the rights of others. SCILLC products are not designed, intended, or authorized for use as components in systems intended for surgical implant into the body, or other applications intended to support or sustain life, or for any other application in which the failure of the SCILLC product could create a situation where personal injury or death may occur. Should Buyer purchase or use SCILLC products for any such unintended or unauthorized application, Buyer shall indemnify and hold SCILLC and its officers, employees, subsidiaries, affiliates, and distributors harmless against all claims, costs, damages, and expenses, and reasonable attorney fees arising out of, directly or indirectly, any claim of personal injury or death associated with such unintended or unauthorized use, even if such claim alleges that SCILLC was negligent regarding the design or manufacture of the part. SCILLC is an Equal Opportunity/Affirmative Action Employer. This literature is subject to all applicable copyright laws and is not for resale in any manner.

PUBLICATION ORDERING INFORMATION

LITERATURE FULFILLMENT:

Literature Distribution Center for ON Semiconductor
19521 E. 32nd Pkwy, Aurora, Colorado 80011 USA
Phone: 303-675-2175 or 800-344-3860 Toll Free USA/Canada
Fax: 303-675-2176 or 800-344-3867 Toll Free USA/Canada
Email: orderlit@onsemi.com

N. American Technical Support: 800-282-9855 Toll Free
USA/Canada
Europe, Middle East and Africa Technical Support:
Phone: 421 33 790 2910
Japan Customer Focus Center
Phone: 81-3-5817-1050

ON Semiconductor Website: www.onsemi.com

Order Literature: <http://www.onsemi.com/orderlit>

For additional information, please contact your local Sales Representative