

## FSAV331 — Dual-Channel, 4:1 Video Switch

### Features

- Wide Bandwidth: 300MHz
- -73dB Non-Adjacent Channel Crosstalk at 10MHz
- -56dB Off Isolation at 10MHz
- On Resistance: 3Ω (Typical)
- Low Power Consumption: 3μA (Maximum)
- Control Inputs Compatible with TTL Level

### Applications

- Y/C Video or CVBS Video Switch in LCD, Plasma, and Projector Displays

### Description

The Fairchild video switch FSAV331 is a dual 4:1 high speed video switch which can be configured as either multiplexer or demultiplexer. Low on-resistance allows inputs to be connected to outputs without adding propagation delay or generating additional ground bounce noise.

When the OE Pin is LOW, S<sub>0</sub> and S<sub>1</sub> connect the A Port to the selected B Port output. When the OE Pin is HIGH, the switch is OPEN and a HIGH-Impedance state exists between the two ports.

### Ordering Information

Part Number	Operating Temperature Range	Package	Packing Method
FSAV331MTCX	-40 to +85°C	16-Lead, Thin Shrink Small Outline Package (TSSOP), JEDEC MO-153, 4.4mm Wide	Tape and Reel

## Pin Configurations

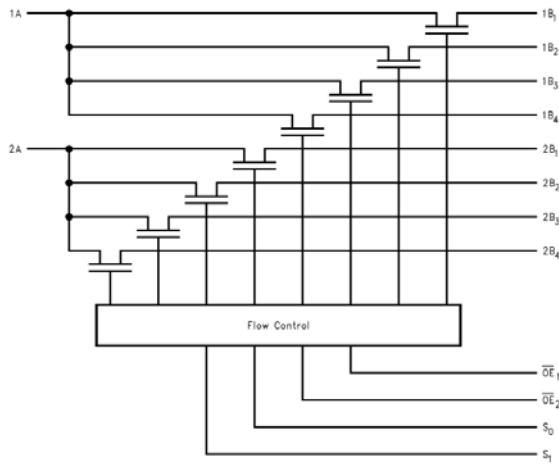


Figure 1. Logic Diagram

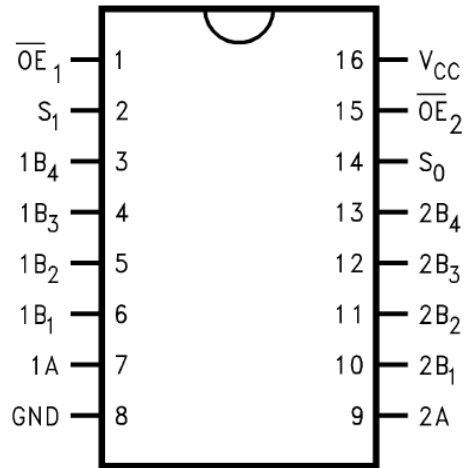


Figure 2. Pin Assignments

## Pin Descriptions

Pin #	Name	Description
1, 15	/OE <sub>1</sub> , /OE <sub>2</sub>	Port Enable
2, 14	S <sub>1</sub> , S <sub>0</sub>	Select Input
3, 4, 5, 6	1B <sub>4</sub> , 1B <sub>3</sub> , 1B <sub>2</sub> , 1B <sub>1</sub>	B-Ports (Channel 1)
7, 9	1A, 2A	A-Ports
8	GND	Ground
10, 11, 12, 13	2B <sub>1</sub> , 2B <sub>2</sub> , 2B <sub>3</sub> , 2B <sub>4</sub>	B-Ports (Channel 2)
16	V <sub>CC</sub>	Supply Voltage

## Truth Table

S <sub>1</sub>	S <sub>0</sub>	/OE <sub>1</sub>	/OE <sub>2</sub>	Function
Don't Care	Don't Care	HIGH	Don't Care	Disconnect 1A
Don't Care	Don't Care	Don't Care	HIGH	Disconnect 2A
LOW	LOW	LOW	LOW	A=B <sub>1</sub>
LOW	HIGH	LOW	LOW	A=B <sub>2</sub>
HIGH	LOW	LOW	LOW	A=B <sub>3</sub>
HIGH	HIGH	LOW	LOW	A=B <sub>4</sub>

## Absolute Maximum Ratings

Stresses exceeding the absolute maximum ratings may damage the device. The device may not function or be operable above the recommended operating conditions and stressing the parts to these levels is not recommended. In addition, extended exposure to stresses above the recommended operating conditions may affect device reliability. The absolute maximum ratings are stress ratings only.

Symbol	Parameter	Min.	Max.	Unit
V <sub>CC</sub>	Supply Voltage	-0.5	+7.0	V
V <sub>S</sub>	DC Switch Voltage	-0.5	V <sub>CC</sub> +0.5	V
V <sub>IN</sub>	DC Input Voltage <sup>(1)</sup>	-0.5	+7.0	V
I <sub>IK</sub>	DC Input Diode Current	-50		mA
I <sub>OUT</sub>	DC Output Current		128	mA
T <sub>STG</sub>	Storage Temperature Range	-65	+150	°C
ESD	Human Body Model, JESD22-A114		2000	V

### Note:

- The input and output negative voltage ratings may be exceeded if the input and output diode current ratings are observed.

## Recommended Operating Conditions

The Recommended Operating Conditions table defines the conditions for actual device operation. Recommended operating conditions are specified to ensure optimal performance to the datasheet specifications. Fairchild does not recommend exceeding them or designing to Absolute Maximum Ratings.

Symbol	Parameter	Min.	Max.	Unit
V <sub>CC</sub>	Power Supply	4.75	5.25	V
V <sub>IN</sub>	Control Input Voltage	0	V <sub>CC</sub>	V
V <sub>SW</sub>	Switch Input Voltage	0	V <sub>CC</sub>	V
T <sub>A</sub>	Operating Temperature, Free Air	-40	+85	°C
θ <sub>JA</sub>	Thermal Resistance		100	°C/W

### Note:

- Unused control inputs must be held HIGH or LOW; they may not float.

## DC Electrical Characteristics

Typical values are at V<sub>CC</sub>=5.0V and T<sub>A</sub>= +25°C.

Symbol	Parameter	Conditions	V <sub>CC</sub> (V)	T <sub>A</sub> = -40 to +85°C			Units
				Min.	Typ.	Max.	
V <sub>ANALOG</sub>	Analog Signal Range		4.75 to 5.25	0		2	V
V <sub>IK</sub>	Clamp Diode Voltage	I <sub>IN</sub> =-18mA	4.75			-1.2	V
V <sub>IH</sub>	High-Level Input Voltage		4.75 to 5.25	2.0			V
V <sub>IL</sub>	Low-Level Input Voltage		4.75 to 5.25			0.8	V
I <sub>IN</sub>	Control Input Leakage	V <sub>IN</sub> =0V to V <sub>CC</sub>	5.25			±1.0	μA
I <sub>OZ</sub>	Off-State Leakage Current	0 ≤ A, B ≤ V <sub>CC</sub>	5.25			±1.0	μA
R <sub>ON</sub>	Switch On Resistance <sup>(3)</sup>	V <sub>IN</sub> =1.0V, I <sub>ON</sub> =13mA	4.75		3	7	Ω
		V <sub>IN</sub> =2.0V, I <sub>ON</sub> =26mA	4.75		5	10	
I <sub>CC</sub>	Quiescent Supply Current	V <sub>IN</sub> =0V or V <sub>CC</sub> , I <sub>OUT</sub> =0	5.25			3	μA

### Note:

- Measured by the voltage drop between the A and B pins at the indicated current through the switch. On resistance is determined by the lower of the voltages on the A or B pins.

## AC Electrical Characteristics

Typical values are at  $T_A=+25^{\circ}\text{C}$  and  $V_{CC}=5.0\text{V}$

Symbol	Parameter	Conditions	$V_{CC}$ (V)	$T_A = -40$ to $+85^{\circ}\text{C}$			Units	Figure
				Min.	Typ.	Max.		
$t_{ON}$	Turn On Time; S to B	$V_I=7\text{V}$ for $t_{PZL}$ $V_I=\text{Open}$ for $t_{PZH}$	4.75 to 5.25	1.0		5.3	ns	Figure 3, Figure 4
	Output Enable Time OE to A or B			1.0		5.3		
$t_{OFF}$	Turn Off Time; S to B	$V_I=7\text{V}$ for $t_{PLZ}$ $V_I=\text{Open}$ for $t_{PHZ}$	4.75 to 5.25	1.0		5.8	ns	Figure 3, Figure 4
	Output Disable Time OE to A or B			1.0		5.5		
$t_{PLH}, t_{PHL}$	Propagation Delay <sup>(4)</sup>	$V_I=\text{Open}$	4.75 to 5.25			0.1	ns	
	Select to A Delay					5.0		
$D_G$	Differential Gain <sup>(5)</sup>	$R_L=150\Omega$ , $f=3.58\text{MHz}$	4.75 to 5.25		0.26		%	
$D_P$	Differential Phase <sup>(5)</sup>	$R_L=150\Omega$ , $f=3.58\text{MHz}$	4.75 to 5.25		0.23		°	
$O_{IRR}$	Non Adjacent Off Isolation	$R_L=150\Omega$ , $f=10\text{MHz}$	4.75 to 5.25		-56.0		dB	Figure 5
$X_{TALK}$	Non Adjacent Channel Crosstalk <sup>(5)</sup>	$R_L=150\Omega$ , $f=10\text{MHz}$	4.75 to 5.25		-73.0		dB	Figure 6
$B_W$	-3dB Bandwidth <sup>(5)</sup>	$R_L=50\Omega$	4.75 to 5.25		300		MHz	Figure 7

### Note:

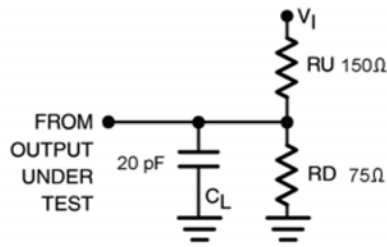
- This parameter is guaranteed by design.
- This parameter is guaranteed by device characterization, not production tested.

## Capacitance

Typical values are at  $T_A=+25^{\circ}\text{C}$ .

Symbol	Parameter	Conditions	Typ.	Units
$C_{IN}$	Control Pin Input Capacitance	$V_{CC}=5.0\text{V}$	2	pF
$C_{ON}$	A/B On Capacitance	$V_{CC}=5.0\text{V}, /OE=0\text{V}$	39	pF
$C_{OFF}$	A Port	$V_{CC}, /OE=5.0\text{V}$	13	pF
	B Port		5	

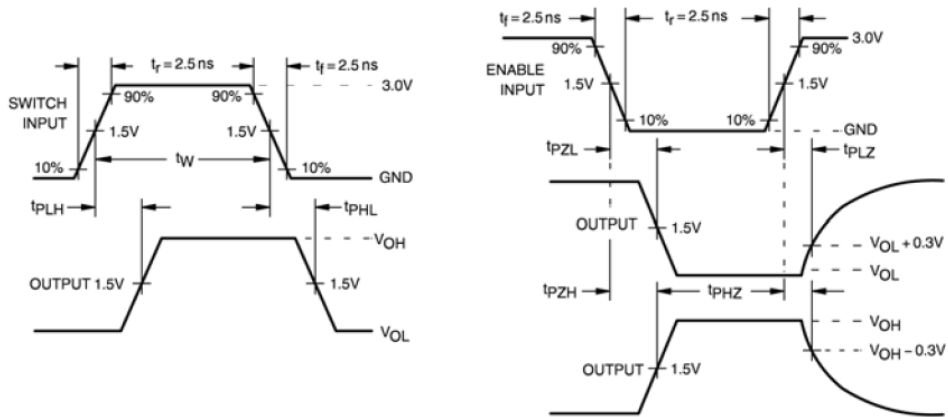
## AC Loadings and Waveforms



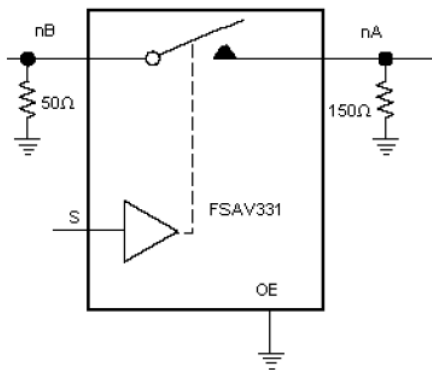
**Notes:**

6. Input drive by  $50\Omega$  source terminated in  $50\Omega$ .
7.  $C_L$  includes load and stray capacitance.
8. Input PRR=1.0MHz,  $t_w=500\text{ns}$ .

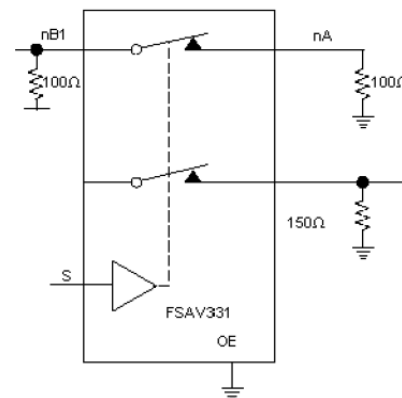
**Figure 3. AC Test Circuit**



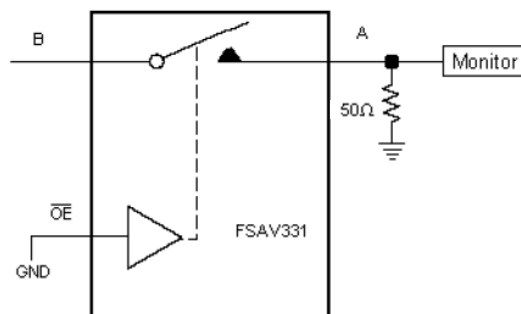
**Figure 4. AC Waveforms**



**Figure 5. Off Isolation**

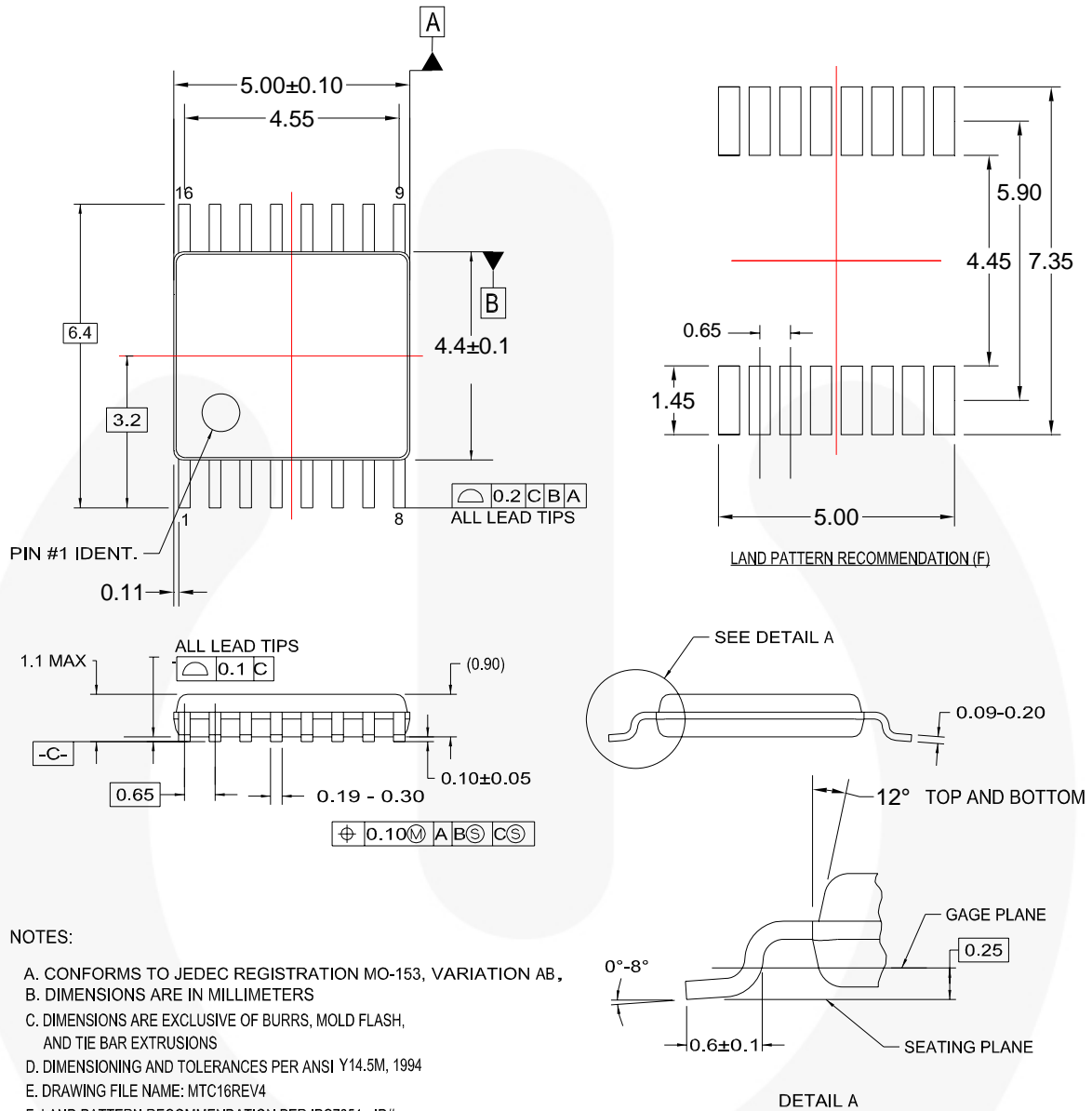


**Figure 6. Crosstalk**



**Figure 7. Bandwidth**

## Physical Dimensions



MTC16rev4

**Figure 8. 16-Lead, Thin Shrink Small Outline Package (TSSOP), JEDEC MO-153, 4.4mm Wide**







Package drawings are provided as a service to customers considering Fairchild components. Drawings may change in any manner without notice. Please note the revision and/or date on the drawing and contact a Fairchild Semiconductor representative to verify or obtain the most recent revision. Package specifications do not expand the terms of Fairchild's worldwide terms and conditions, specifically the warranty therein, which covers Fairchild products.

Always visit Fairchild Semiconductor's online packaging area for the most recent package drawings:  
<http://www.fairchildsemi.com/packaging/>



**TRADEMARKS**

The following includes registered and unregistered trademarks and service marks, owned by Fairchild Semiconductor and/or its global subsidiaries, and is not intended to be an exhaustive list of all such trademarks.

- |  |  |  |   |
|--|--|--|---|
| AccuPower™   | F-PFS™   | Power-SPM™   |  SYSTEM GENERAL      |
| Auto-SPM™  | FRFET®   | PowerTrench®   | The Power Franchise®  |
| Build it Now™  | Global Power Resource <sup>SM</sup>  | PowerXS™   |  the power franchise |
| CorePLUS™  | Green FPST™  | Programmable Active Droop™   | TinyBoost™  |
| CorePOWER™   | Green FPST™ e-Series™  | QFET®  | TinyBuck™   |
| CROSSVOLT™   | Gmax™  | QS™  | TinyCalc™   |
| CTL™   | GTO™   | Quiet Series™  | TinyLogic®  |
| Current Transfer Logic™  | IntelliMAX™  | RapidConfigure™  | TINYOPTO™   |
| DEUXPEED®  | ISOPLANAR™   |  TM | TinyPower™  |
| Dual Cool™   | MegaBuck™  | Saving our world, 1mW/WkW at a time™   | TinyPVM™  |
| EcoSPARK®  | MICROCOUPLER™  | SignalWise™  | TinyWire™   |
| EfficientMax™  | MicroFET™  | SmartMax™  | TriFault Detect™  |
| ESBC™  | MicroPak™  | SMART START™   | TRUECURRENT™*   |
|  Fairchild® | MicroPak2™   | SPM®   | µSerDes™  |
| Fairchild Semiconductor®   | MillerDrive™   | STEALTH™   |  SerDes              |
| FACT Quiet Series™   | MotionMax™   | SuperFET®  | UHC®  |
| FACT™  | Motion-SPM™  | SuperSOT™.3  | Ultra FRFET™  |
| FAST®  | OptoHIT™   | SuperSOT™.6  | UniFET™   |
| FastvCore™   | OPTOLOGIC®   | SuperSOT™.8  | VCX™  |
| FETBench™  | OPTOPLANAR®  | SupreMOS®  | VisualMax™  |
| FlashWriter®   |  TM | SyncFET™   | XS™   |
| FPS™   | PDP SPM™   | Sync-Lock™   |   |

\* Trademarks of System General Corporation, used under license by Fairchild Semiconductor.

**DISCLAIMER**

FAIRCHILD SEMICONDUCTOR RESERVES THE RIGHT TO MAKE CHANGES WITHOUT FURTHER NOTICE TO ANY PRODUCTS HEREIN TO IMPROVE RELIABILITY, FUNCTION, OR DESIGN. FAIRCHILD DOES NOT ASSUME ANY LIABILITY ARISING OUT OF THE APPLICATION OR USE OF ANY PRODUCT OR CIRCUIT DESCRIBED HEREIN; NEITHER DOES IT CONVEY ANY LICENSE UNDER ITS PATENT RIGHTS, NOR THE RIGHTS OF OTHERS. THESE SPECIFICATIONS DO NOT EXPAND THE TERMS OF FAIRCHILD'S WORLDWIDE TERMS AND CONDITIONS, SPECIFICALLY THE WARRANTY THEREIN, WHICH COVERS THESE PRODUCTS.

**LIFE SUPPORT POLICY**

FAIRCHILD'S PRODUCTS ARE NOT AUTHORIZED FOR USE AS CRITICAL COMPONENTS IN LIFE SUPPORT DEVICES OR SYSTEMS WITHOUT THE EXPRESS WRITTEN APPROVAL OF FAIRCHILD SEMICONDUCTOR CORPORATION.

As used herein:

1. Life support devices or systems are devices or systems which, (a) are intended for surgical implant into the body or (b) support or sustain life, and (c) whose failure to perform when properly used in accordance with instructions for use provided in the labeling, can be reasonably expected to result in a significant injury of the user.
2. A critical component in any component of a life support, device, or system whose failure to perform can be reasonably expected to cause the failure of the life support device or system, or to affect its safety or effectiveness.

**ANTI-COUNTERFEITING POLICY**

Fairchild Semiconductor Corporation's Anti-Counterfeiting Policy. Fairchild's Anti-Counterfeiting Policy is also stated on our external website, [www.fairchildsemi.com](http://www.fairchildsemi.com), under Sales Support.

Counterfeiting of semiconductor parts is a growing problem in the industry. All manufacturers of semiconductor products are experiencing counterfeiting of their parts. Customers who inadvertently purchase counterfeit parts experience many problems such as loss of brand reputation, substandard performance, failed applications, and increased cost of production and manufacturing delays. Fairchild is taking strong measures to protect ourselves and our customers from the proliferation of counterfeit parts. Fairchild strongly encourages customers to purchase Fairchild parts either directly from Fairchild or from Authorized Fairchild Distributors who are listed by country on our web page cited above. Products customers buy either from Fairchild directly or from Authorized Fairchild Distributors are genuine parts, have full traceability, meet Fairchild's quality standards for handling and storage and provide access to Fairchild's full range of up-to-date technical and product information. Fairchild and our Authorized Distributors will stand behind all warranties and will appropriately address any warranty issues that may arise. Fairchild will not provide any warranty coverage or other assistance for parts bought from Unauthorized Sources. Fairchild is committed to combat this global problem and encourage our customers to do their part in stopping this practice by buying direct or from authorized distributors.

**PRODUCT STATUS DEFINITIONS**

**Definition of Terms**

Datasheet Identification	Product Status	Definition
Advance Information	Formative / In Design	Datasheet contains the design specifications for product development. Specifications may change in any manner without notice.
Preliminary	First Production	Datasheet contains preliminary data; supplementary data will be published at a later date. Fairchild Semiconductor reserves the right to make changes at any time without notice to improve design.
No Identification Needed	Full Production	Datasheet contains final specifications. Fairchild Semiconductor reserves the right to make changes at any time without notice to improve the design.
Obsolete	Not In Production	Datasheet contains specifications on a product that is discontinued by Fairchild Semiconductor. The datasheet is for reference information only.

Rev. I50