



Is Now Part of



ON Semiconductor®

To learn more about ON Semiconductor, please visit our website at
www.onsemi.com

Please note: As part of the Fairchild Semiconductor integration, some of the Fairchild orderable part numbers will need to change in order to meet ON Semiconductor's system requirements. Since the ON Semiconductor product management systems do not have the ability to manage part nomenclature that utilizes an underscore (_), the underscore (_) in the Fairchild part numbers will be changed to a dash (-). This document may contain device numbers with an underscore (_). Please check the ON Semiconductor website to verify the updated device numbers. The most current and up-to-date ordering information can be found at www.onsemi.com. Please email any questions regarding the system integration to Fairchild_questions@onsemi.com.

ON Semiconductor and the ON Semiconductor logo are trademarks of Semiconductor Components Industries, LLC dba ON Semiconductor or its subsidiaries in the United States and/or other countries. ON Semiconductor owns the rights to a number of patents, trademarks, copyrights, trade secrets, and other intellectual property. A listing of ON Semiconductor's product/patent coverage may be accessed at www.onsemi.com/site/pdf/Patent-Marking.pdf. ON Semiconductor reserves the right to make changes without further notice to any products herein. ON Semiconductor makes no warranty, representation or guarantee regarding the suitability of its products for any particular purpose, nor does ON Semiconductor assume any liability arising out of the application or use of any product or circuit, and specifically disclaims any and all liability, including without limitation special, consequential or incidental damages. Buyer is responsible for its products and applications using ON Semiconductor products, including compliance with all laws, regulations and safety requirements or standards, regardless of any support or applications information provided by ON Semiconductor. "Typical" parameters which may be provided in ON Semiconductor data sheets and/or specifications can and do vary in different applications and actual performance may vary over time. All operating parameters, including "Typicals" must be validated for each customer application by customer's technical experts. ON Semiconductor does not convey any license under its patent rights nor the rights of others. ON Semiconductor products are not designed, intended, or authorized for use as a critical component in life support systems or any FDA Class 3 medical devices or medical devices with a same or similar classification in a foreign jurisdiction or any devices intended for implantation in the human body. Should Buyer purchase or use ON Semiconductor products for any such unintended or unauthorized application, Buyer shall indemnify and hold ON Semiconductor and its officers, employees, subsidiaries, affiliates, and distributors harmless against all claims, costs, damages, and expenses, and reasonable attorney fees arising out of, directly or indirectly, any claim of personal injury or death associated with such unintended or unauthorized use, even if such claim alleges that ON Semiconductor was negligent regarding the design or manufacture of the part. ON Semiconductor is an Equal Opportunity/Affirmative Action Employer. This literature is subject to all applicable copyright laws and is not for resale in any manner.



ON Semiconductor®

January 20177

FUSB252 Type-C CC with High Speed Digital (HSD) Port Protection Switch

Features

- Fully Type-C Port Protection
- Supports USB Type-C™ Specification 1.2
- V_{CC} 0 V- 5.5 V
- 20 V DC Protection on V_{CC}
- 16 V DC protection on HSD Port
- V_{DD} Operating Range, 2.7 V- 5.5 V
- Current Capability: 1 A
- CC R_{ON}: 0.3 Ω Typical
- HSD R_{ON}: 5 Ω Typical
- Wide -3 db Bandwidth: 1 GHz
- Low Power Operation: I_{CC} = 9 μA Typical
- Dead Battery Support (UFP Support when No Power Applied)
- CC Over-Voltage Protection: Typical = 5.6 V

Description

The FUSB252 is an integrated port protection switch for USB Type-C applications. This product will protect HSD+/- and CCx pins when stressed with voltages up to 20 V. Over-Voltage Protection (OVP) at 5.8 V typical will protect the system for Electrical Overstress (EOS) damage. With a fully integrated USB 2.0 switch for HSD+/-, this product can be easily integrated into existing solutions. The HSD switches can pass USB 2.0 signals with bandwidth 1 GHz to maintain signal integrity and eye compliance.

The CC switches have very low R_{ON} of 0.3 Ω to minimize signal attenuation. The FUSB252 also provides Dead Battery support per the Type-C specification. Additional features include Under-Voltage Lockout (UVLO) and thermal shutdown.

Applications

- Smartphones
- Tablets
- Laptops

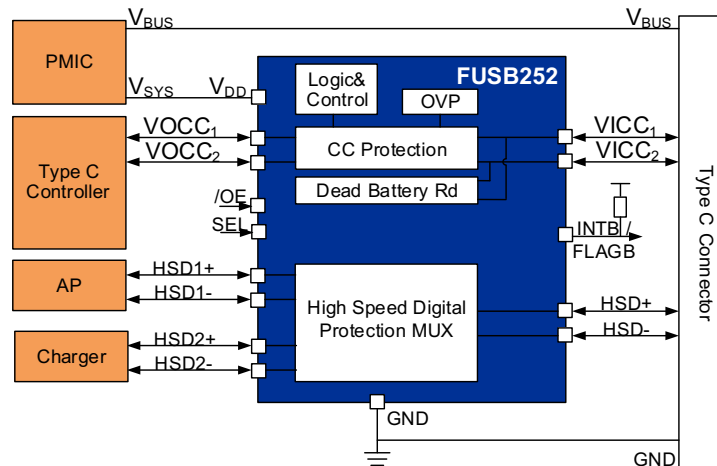


Figure 1. Typical Application

Ordering Information

Part Number	Operating Temperature Range	Package	Packing Method	Top Mark
FUSB252UMX	-40 to 85°C	16-Lead Ultrathin Molded Leadless Package (UMLP) 1.8 x 2.6 mm	Tape and Reel	UZ

USB Type-C™ is a trademark of USB Implementers Forum, Inc.

Block Diagram

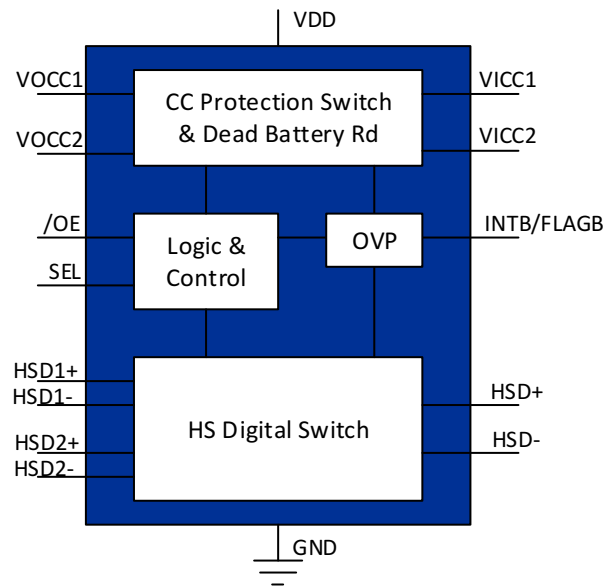


Figure 2. Block Diagram

Reference Schematic

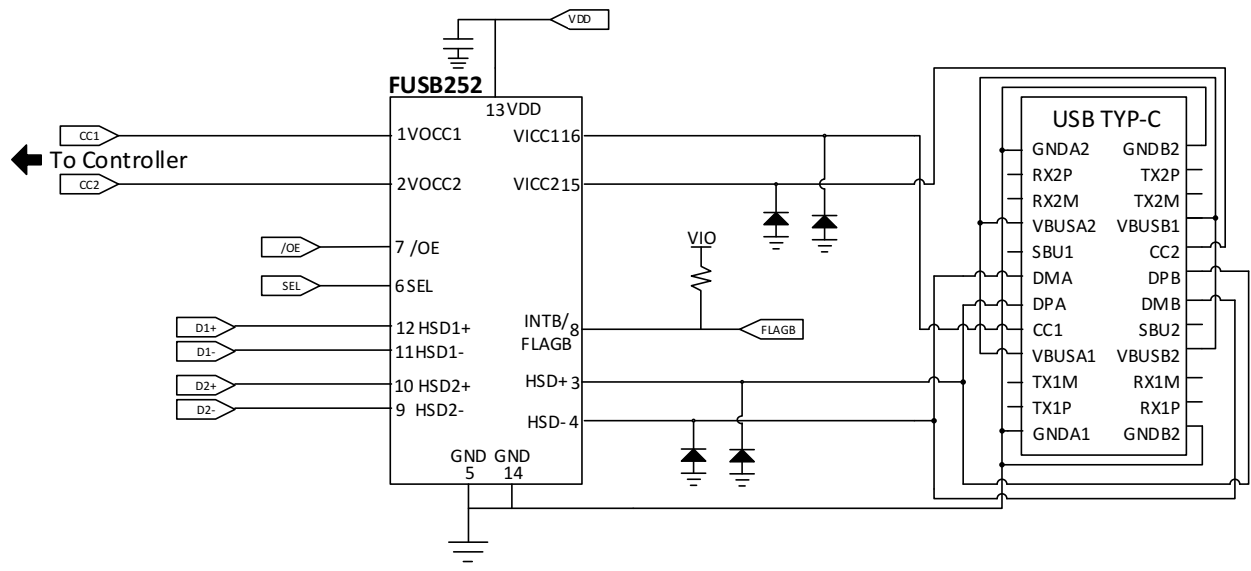


Figure 3. Reference Schematic

Pin Configuration

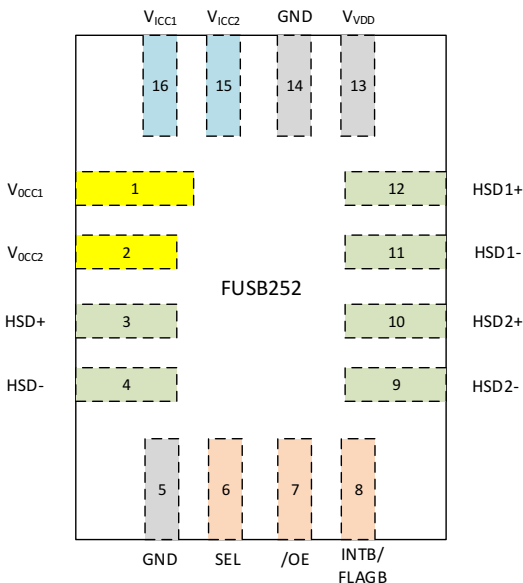


Figure 4. Pin Assignment (Top Through View)

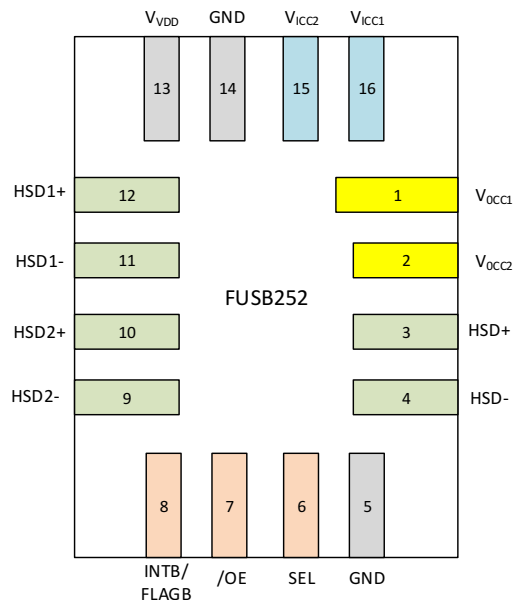


Figure 5. Pin Assignment (Bottom View)

Pin Descriptions

Bump	Name	Type	Description
Power Interface			
13	VDD	Power	Power
5,14	GND	Ground	Ground
USB Type-C Connector Interface Input			
15, 16	VICC1,2	Input	Type C CC Interface OVP protection input, Connect to connector
USB Type-C Connector Interface Output			
1, 2	VOCC1,2	Output	Type C CC Interface output. Connect to controller
USB High Speed Data Interface			
3	HSD+	I/O	Common High Speed Digital / USB Data Bus
4	HSD-	I/O	Common High Speed Digital / USB Data Bus
12	HSD1+	I/O	Multiplexed Source Input 1
11	HSD1-	I/O	Multiplexed Source Input 1
10	HSD2+	I/O	Multiplexed Source Input 2
9	HSD2-	I/O	Multiplexed Source Input 2
Signal Interface			
7	/OE	I/O	Switch Enable
6	SEL	I/O	Switch Select
8	INTB/FLAGB	Output	OVP Interrupt Flag

Table 1. CC Switch Truth Table Configuration

V _{DD}	V _{ICC} Voltage	CC Switch Configuration
0 V - UVLO (Not Valid)	0 V – 5.8 V	OFF Dead Battery Rd Inserted
	5.8 V to 20 V	OFF Dead Battery Rd Inserted
2.7 V – 5.5 V (Valid)	0 V – 5.8 V	On
	5.8 V to 20 V	OFF (OVP)

Table 2. Device Truth Table Configuration

/OE	SEL	VDD	HSD+/HSD-	CC
1	0	Not Valid	X (Open/High-Z)	Dead Battery
0	0	Not Valid	X (Open/High-Z)	Dead Battery
1	X	Valid	X (Open/High-Z)	On
0	0	Valid	HSD1+/HSD1-	On
0	1	Valid	HSD2+/HSD2-	On

Absolute Maximum Ratings

Stresses exceeding the absolute maximum ratings may damage the device. The device may not function or be operable above the recommended operating conditions and stressing the parts to these levels is not recommended. In addition, extended exposure to stresses above the recommended operating conditions may affect device reliability. The absolute maximum ratings are stress ratings only.

Symbol	Parameter		Min.	Max.	Unit	
V _{VDD}	Supply Voltage from V _{DD}		-0.5	12.0	V	
V _{VICC}	V _{VICC} , to GND		-0.5	24	V	
V _{SW}	V _{HSD±} , to GND		-5	16	V	
V _{OCC} , V _{SW}	V _{OCCx} V _{HSDx±} , to GND		-0.5	6	V	
V _{CONTROL}	DC Input Voltage (S, /OE)		-0.5	V _{VDD}	V	
I _{CCSW}	DC CC Switch Current			1.25	A	
I _{USBSW}	DC Output Current			100	mA	
I _{IK}	DC Input Diode Current		-50		mA	
T _{STORAGE}	Storage Temperature Range		-65	+150	C	
T _J	Maximum Junction Temperature			+150	C	
T _L	Lead Temperature (Soldering, 10 seconds)			+260	C	
ESD	IEC 61000-4-2 System ESD	Connector Pins (V _{VDD} , V _{VICC} , V _{HSD±})	Air Gap	15	kV	
			Contact	8		
	IEC 61000-4-5 Surge ESD	V _{VICC} to GND		-24	24	V
		V _{HSD±} to GND		-16	16	V
	Human Body Model, JEDEC JESD22-A114	Power to GND		4	kV	
		External Pins to GND (V _{HSD±} , V _{VICC})				
System Side Pin (V _{HSD±} , V _{OCC} , S, /OE, FLAGB)		2				
Charged Device Model, JEDEC LESD22-C101	All Pins		1			

Recommended Operating Conditions

The Recommended Operating Conditions table defines the conditions for actual device operation. Recommended operating conditions are specified to ensure optimal performance. ON does not recommend exceeding them or designing to Absolute Maximum Ratings.

Symbol	Parameter	Min.	Typ.	Max.	Unit
V _{VDD}	Supply Voltage	2.7	4.2	5.5	V
V _{VICC}	Type C Input Voltage	0		5.5	V
V _{OCC}	Type C Output Voltage	0		5.5	V
I _{CCSW}	Maximum CC Switch Current			1	A
V _{CNTRL}	Control Input Voltage (SEL, /OE)	-0.5		V _{VDD}	V
V _{SW}	HSD/USB Switch I/O Voltage	-0.5		4.5	V
T _A	Operating Temperature	-40		+85	C

DC Electrical Characteristics

Unless otherwise specified: Recommended T_A and T_J temperature ranges. All typical values are at $T_A=25^\circ\text{C}$ and $V_{DD}=4.2\text{ V}$ unless otherwise specified.

Symbol	Parameter	V_{DD} (V)	Conditions	$T_A = -40$ to $+85^\circ\text{C}$ $T_J = -40$ to $+125^\circ\text{C}$			Unit
				Min.	Typ.	Max.	
Basic Operation Device							
I_{CC}	Quiescent Supply Current	2.7 to 5.5	/OE = L, $I_{OUT} = 0$		9		μA
			/OE = H $I_{OUT} = 0$		9		
I_{OFF}	Power-Off Leakage Current	0			3		μA
Basic Operation CC switch							
$I_{SD(DB)}$	Dead Battery Supply Current	0 to UVLO	Dead Battery State Supply Current		15		μA
R_{ON}	CC Path On Resistance	2.7 to 5.5	$I_{OUT} = 200\text{ mA}$		350	480	$\text{m}\Omega$
V_{OV_TRIP}	Input OVP Lockout	2.7 to 5.5	V_{ICC} Rising		5.65	6.20	V
			V_{ICC} Falling		5.3		
V_{OV_HYS}	Input OVP Hysteresis	2.7 to 5.5			0.35		V
V_{UVLO}	Under-Voltage Lockout	2.7 to 5.5	V_{DD} Rising		2.55	2.70	V
			V_{DD} Falling		2.5		
TSD	Thermal Shutdown ⁽¹⁾		Shutdown Threshold		150		$^\circ\text{C}$
			Return from Shutdown		130		
			Hysteresis		20		
Rd	Dead Battery Pull-Down Resistance	0 to UVLO	Dead Battery Resistance	4.08	5.10	6.12	$\text{k}\Omega$
			Voltage on Pin	0.25		2.6	V
Basic Operation HSD Switch							
V_{OV_TRIP}	Input OVP Lockout	2.7 to 5.5	$V_{HSD\pm}$ Rising		4.4	5.0	V
			$V_{HSD\pm}$ Falling		4.1		
V_{OV_HYS}	Input OVP Hysteresis	2.7 to 5.5			0.3		V
V_{UV_TRIP}	Input Under-Voltage Lockout	2.7 to 5.5			-1.2		V
V_{IH}	Input Voltage High	2.7 to 5.5		1.3			V
V_{IL}	Input Voltage Low	2.7 to 5.5				0.5	V
I_{IN}	Control Input Leakage	2.7 to 5.5	$V_{SW} = 0$ to V_{DD}		0.1		μA
I_{OZ}	Off State Leakage	4.2	$0 \leq \text{HSDn} \leq 3.6\text{ V}$		2		μA
		4.2	$0 \leq \text{HSD1n}_\pm, \text{HSD2n}_\pm \leq 3.6\text{ V}$		100		nA
R_{ON}	HS Switch On Resistance	4.2	$V_{SW} = 0.4\text{ V}, I_{ON} = -8\text{ mA}$		5		Ω
ΔR_{ON}	HS Delta R_{ON}	4.2	$V_{SW} = 0.4\text{ V}, I_{ON} = -8\text{ mA}$		0.1		Ω

Note:

1. Guaranteed by characterization, not production tested

AC Electrical Characteristics

Unless otherwise specified: Recommended T_A and T_J temperature ranges. All typical values are at $T_A=25^\circ\text{C}$ and $V_{DD}=3.8\text{ V}$ unless otherwise specified.

Symbol	Parameter	V_{DD} (V)	Conditions	$T_A = -40$ to $+85^\circ\text{C}$ $T_J = -40$ to $+125^\circ\text{C}$			Unit
				Min.	Typ.	Max.	
CC Switch Timing Parameter							
t_{OVP}	Response Time ⁽²⁾	2.7 to 5.5	$I_{OUT} = 0.2\text{ A}$, $C_L = 200\text{ pF}$, $V_{ICCX} = 5\text{ V}$ to 6 V		0.5	1.0	μs
t_{ON}	Turn-On Time		VDD Rising 2 V to 3 V		25		ms
T_{MBS}	Make-Before-Break	2.7 to 5.5	VDD Rising 2 V to 3 V		600		ns
CC Switch Capacitance							
C_{ON}	Switch Path On Capacitance ⁽²⁾	2.7 to 5.5			100		pF
CC Switch Bandwidth							
BW	PD Traffic Bandwidth ⁽²⁾	2.7 to 5.5	$R_L = 50\ \Omega$, $C_L = 200\text{ pF}$		25		MHz
HSD Switch Timing Parameter							
t_{OVP}	Response Time ⁽²⁾	2.7 to 5.5	$I_{OUT} = 0.2\text{ A}$, $V_{D\pm} = 4\text{ V}$ to 5 V		0.5	1.0	μs
t_{ON}	Turn-On Time, /OE to Output ⁽²⁾	2.7 to 5.5	$R_L = 50\ \Omega$, $C_L = 5\text{ pF}$, $V_{SW} = 0.8\text{ V}$		25		ms
t_{OFF}	Turn-Off Time, /OE to Output ⁽²⁾	2.7 to 5.5	$R_L = 50\ \Omega$, $C_L = 5\text{ pF}$, $V_{SW} = 0.8\text{ V}$		100	400	ns
t_{PD}	Propagation Delay ⁽²⁾	2.7 to 5.5	$R_L = 50\ \Omega$, $C_L = 5\text{ pF}$,		0.25		ns
T_{BBS}	Break-Before-Make ⁽²⁾	2.7 to 5.5	$R_L = 50\ \Omega$, $C_L = 5\text{ pF}$, $V_{SWx} = 0.8\text{ V SEL} = \text{H} \leftrightarrow \text{L}$		100		μs
O_{IRR}	Off Isolation	2.7 to 5.5	$R_L = 50\ \Omega$, $f = 240\text{ MHz}$		-25		dB
Xtalk	Non-Adjacent Channel Crosstalk	2.7 to 5.5	$R_L = 50\ \Omega$, $f = 240\text{ MHz}$		-40		dB
HSD Switch Capacitance							
C_{IN}	Control Pin Input Capacitance ⁽²⁾	0			1.5		pF
C_{ON}	HSD+/HSD- On Capacitance ⁽²⁾	2.7 to 5.5	/OE = L, $f = 240\text{ MHz}$,		4		
C_{OFF}	HSD1 _x , HSD2 _x Off Capacitance ⁽²⁾	2.7 to 5.5	/OE = H		2.5		
USB Switch Bandwidth							
BW	-3 db Bandwidth ⁽²⁾	2.7 to 5.5	$R_L = 50\ \Omega$, $C_L = 0\text{ pF}$		1400		MHz
		2.7 to 5.5	$R_L = 50\ \Omega$, $C_L = 5\text{ pF}$		560		
USB High-Speed-Related							
$t_{SK(P)}$	Skew of Opposite Transitions of the Same Output ⁽²⁾		$R_L = 50\ \Omega$, $C_L = 5\text{ pF}$		25		ps
t_J	Total Jitter ⁽²⁾		$R_L = 50\ \Omega$, $C_L = 5\text{ pF}$, $t_R = t_F = 500\text{ ps}$ (10-90%) at 480 Mbps (PRBS=2 ¹⁵ -1)		200		ps

Note:

- Guaranteed by characterization, not production tested.

Operation and Application Description

Out of Spec Surge/Spike Voltage due to Hot Plug

The FUSB252 protects end systems against 20 V DC on the CC pin, in cases where the FUSB252 is tested to mimic a hot plug event, a fully charged cable connected to a power supply set to 20 V is used to zap the VICC pins of the device. In these cases, the inductance of the cable causes voltage spikes that are higher than the absolute maximum ratings of the of the VICC pins. These voltages can cause damage to the VOCC pins. This scenario does not occur in normal usage. The Type-C specification prevents the plug from having 20V on VBUS from a PD source prior to a PD contract being completed. When the 20 V potential is on VBUS and shorted to the CC pin, it causes a detach and the voltage spikes are less likely to occur. The following reference circuit is required when the application calls for additional protection to protect against such event as hot plug.

Application Specific Schematic

- Place a 5 V to 6 V rated Zener TVS diode such as (CZRF52C5V6 or CD1005-Z5V1) on the VOCC pin, and a 5 Ω resistor to device ground to prevent the FUSB252 from being damaged during these tests. With this additional protection if is also important to select the right external VICC IEC TVS for the best overall performance.
- Without the additional protection the device by itself can withstand up to 9 V under the same hot plug condition

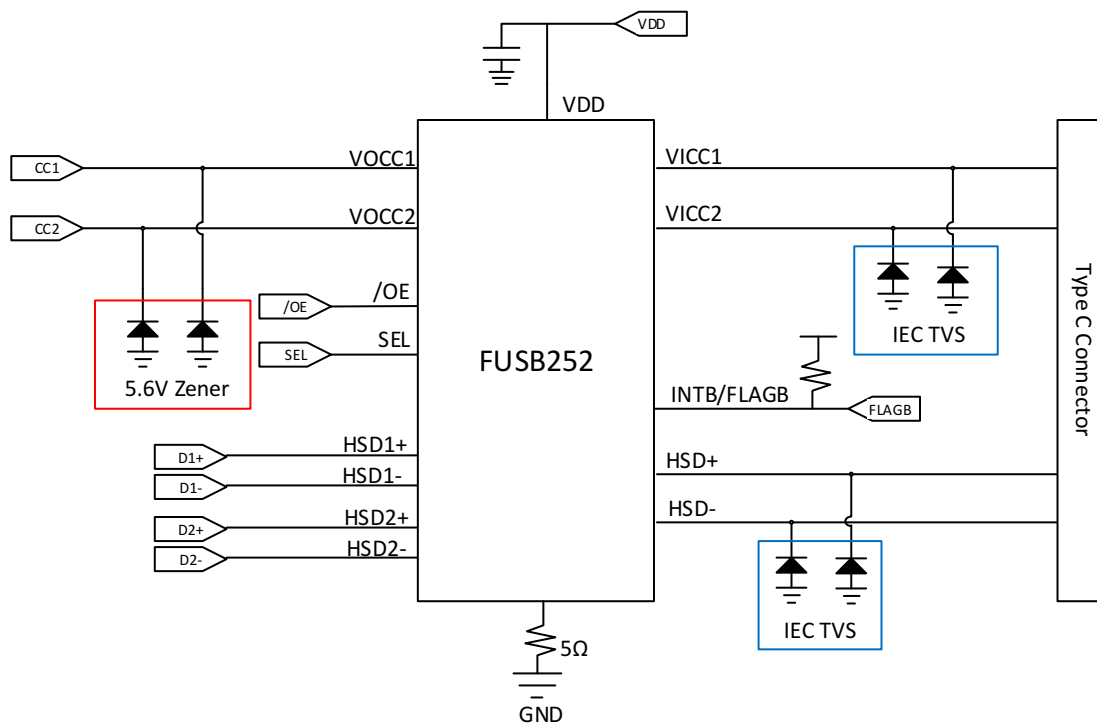


Figure 6. Reference Schematic

Over-Voltage Protection

When over-voltage event is detected, device will activate OVP to shutdown the switch within t_{OVP} , as well as signal the FLAGB to indicate there is OV event to the system.

Fault Reporting

Upon the detection of an over-voltage event, the INTB/FLAGB signals the fault by activating LOW.

Type-C Solution Reference

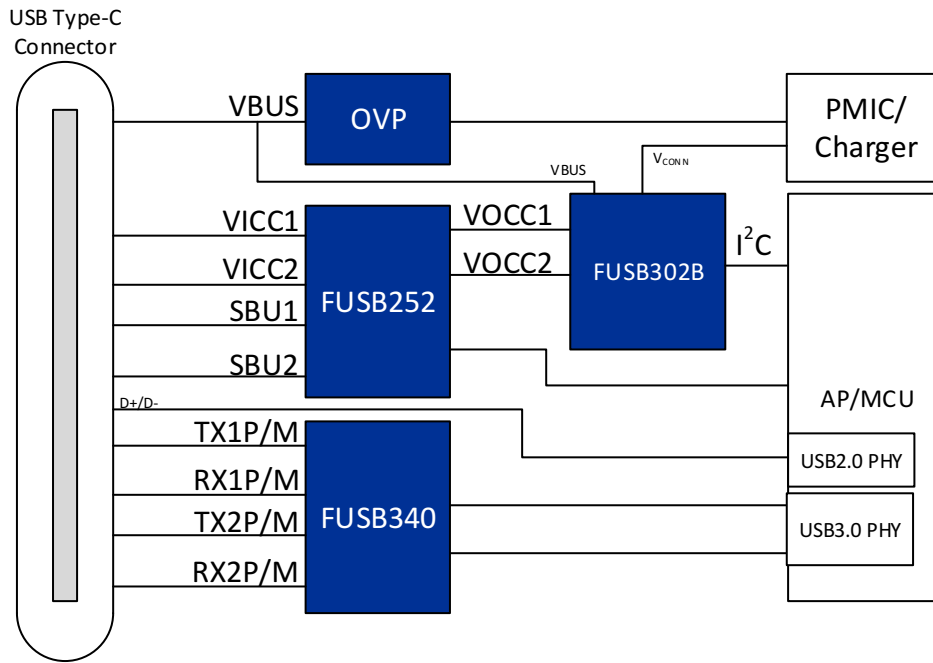


Figure 7. Example of Type-C Solution Reference (SBU)

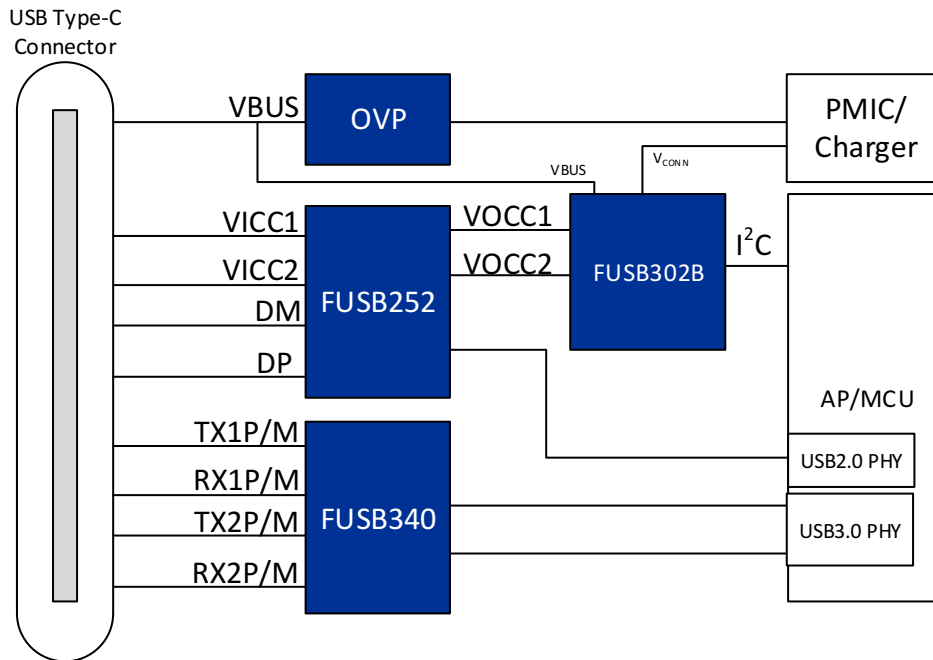


Figure 8. Example of Type-C Solution Reference (USB)

Test Diagrams

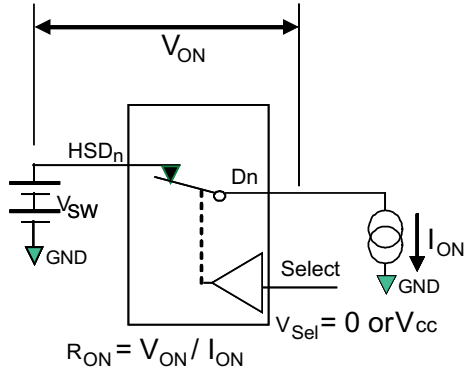
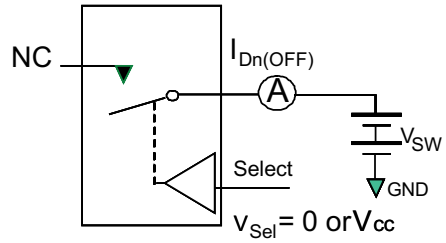
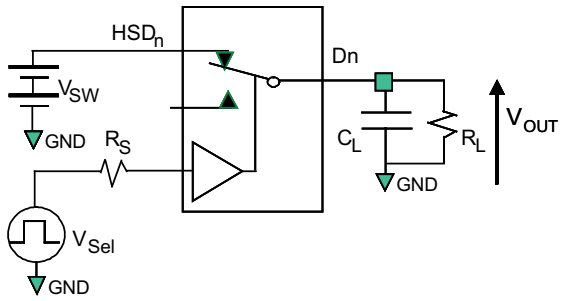


Figure 9. On Resistance



**Each switch port is tested separately

Figure 10. Off Leakage



R_L , R_S , and C_L are functions of the application environment (see AC Tables for specific values)
 C_L includes test fixture and stray capacitance.

Figure 11. AC Test Circuit Load

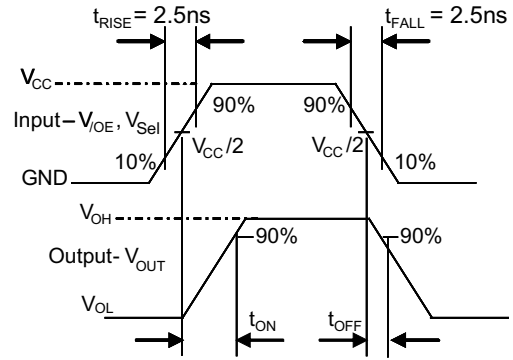


Figure 12. Turn-On / Turn-Off Waveforms

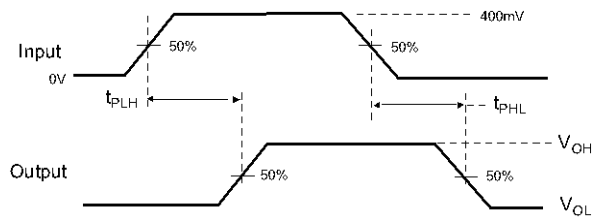


Figure 13. Propagation Delay ($t_{rF} = 500 \text{ ps}$)

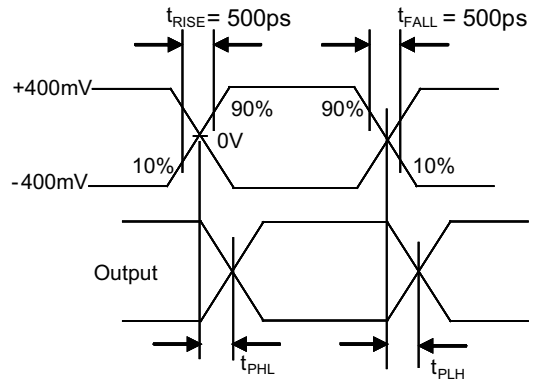


Figure 14. Intra-Pair Skew Test $t_{SK(P)}$

Test Diagrams (Continued)

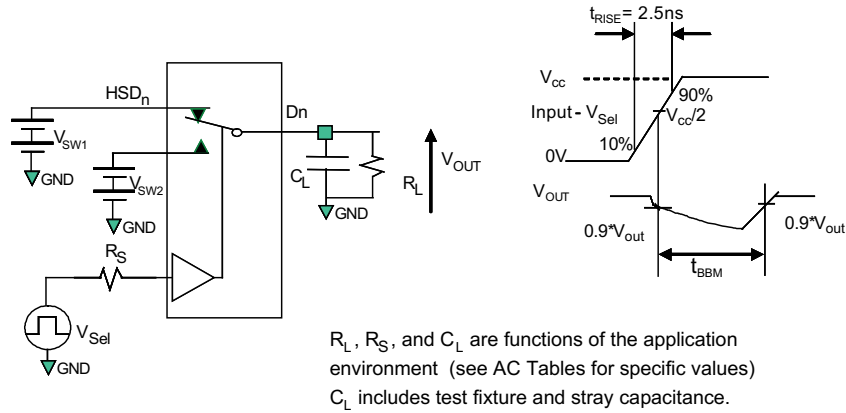


Figure 15. Break-Before-Make Interval Timing

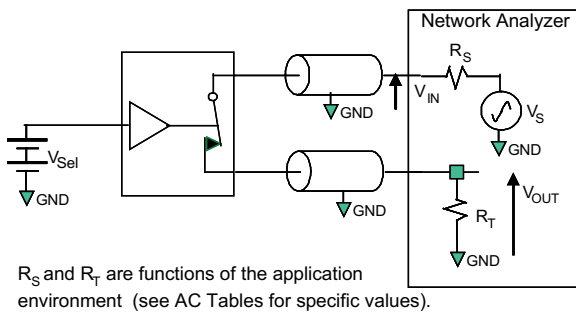


Figure 16. Bandwidth

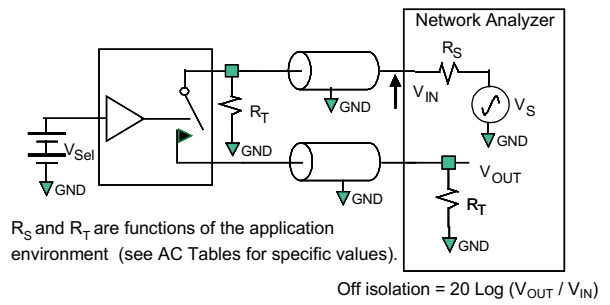


Figure 17. Channel Off Isolation

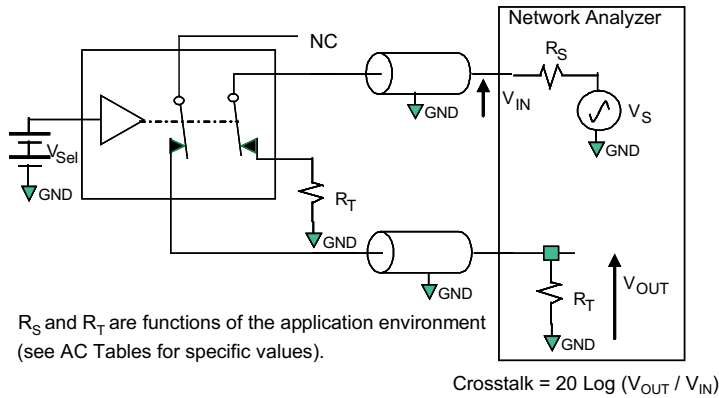


Figure 18. Non-Adjacent Channel-to-Channel Crosstalk

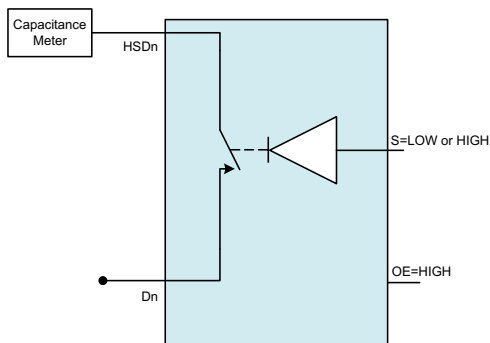


Figure 19. Channel Off Capacitance

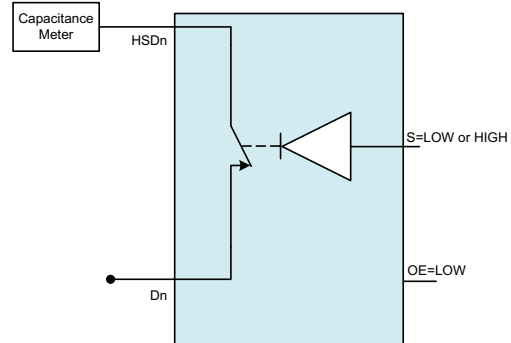
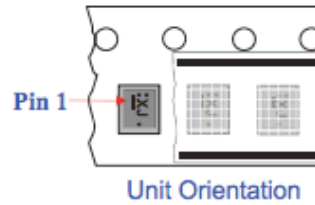
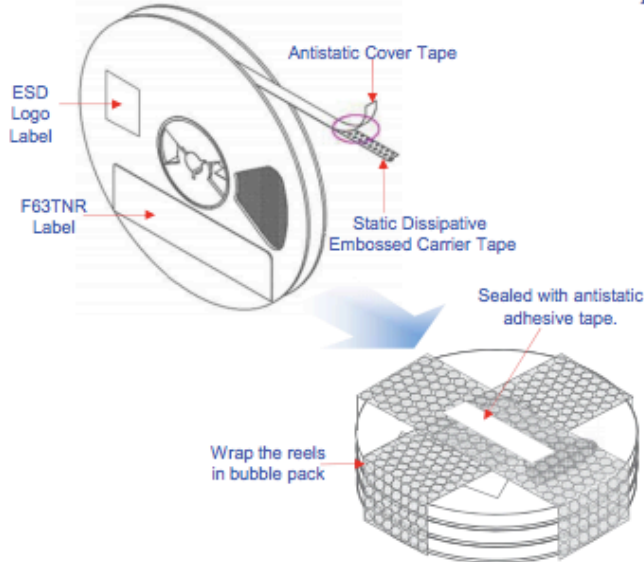


Figure 20. Channel On Capacitance

Package Information

UMLP16A Packing Configuration: Figure 1.0



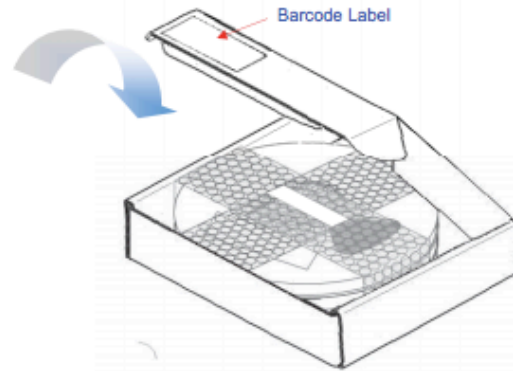
Packaging Description:

UMLP16 pins products are classified under Moisture Sensitive Level 1 at 260°C peak package body temperature.

The carrier tape is made from dissipative polystyrene or polycarbonate resin. The cover tape is a multilayer film primarily composed of polyester film, adhesive layer, heat activated sealant, and anti-static sprayed agent. These reeled parts in standard option are shipped with 5000 units per 178 mm diameter reel. Up to three reels are packed in each intermediate box. The reels is made of polystyrene plastic (anti-static coated or intrinsic).

These full reels are individually barcode labeled and placed inside a pizza box made of recyclable corrugated brown paper with a Fairchild logo printing. These pizza boxes are placed inside a barcode labeled shipping box which comes in different sizes depending on the number of parts shipped.

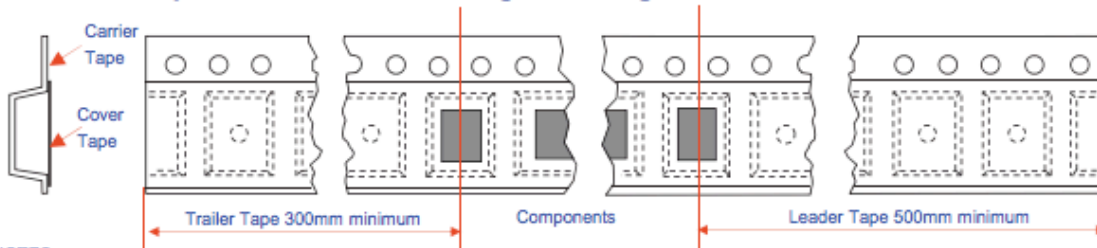
UMLP16A Packing Information	
Packaging Option	Standard (no flow code)
Packaging type	TNR
Qty per Reel	5000
Reel Size	7" Dia
Box Dimension (mm)	193X183X80
Max qty per Box	15,000



F63TNR Label Sample

LOT: PMH01008888	QTY: 5000
FSID: FXLA104QFX	SPEC:
D/C1: P1323AF QTY1:	SPEC REV: 2 nd Level Interconnect
D/C2: QTY2:	1. Category G3
Green Component	2. Maximum safe temperature 260 deg C
RoHS COMPLIANT	3. MSL 1
	FAIRCHILD SEMICONDUCTOR

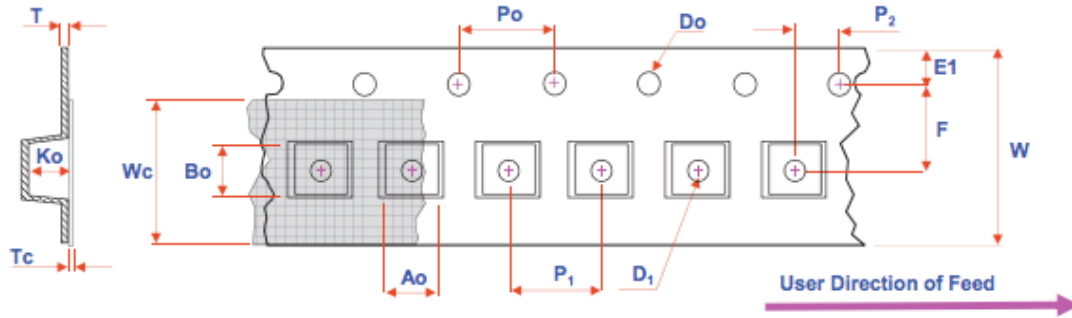
UMLP16A Tape Leader and Trailer Configuration: Figure 2.0



NOTES:

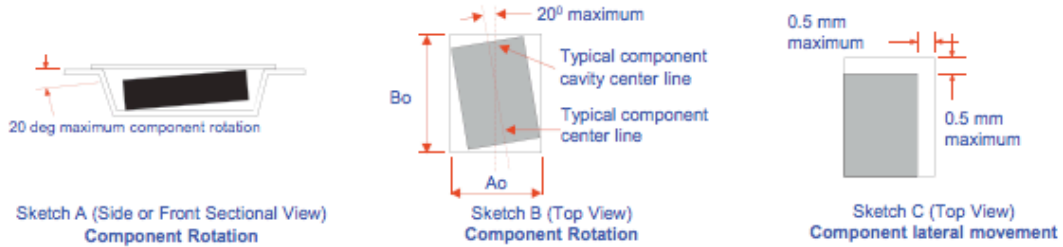
- A : ALL DIMENSION ARE IN MILLIMETERS UNLESS OTHERWISE SPECIFIED
- B : DRAWING FILE NAME : PKG-UMLP16AREV2

Embossed Carrier Tape Configuration: Figure 3.0

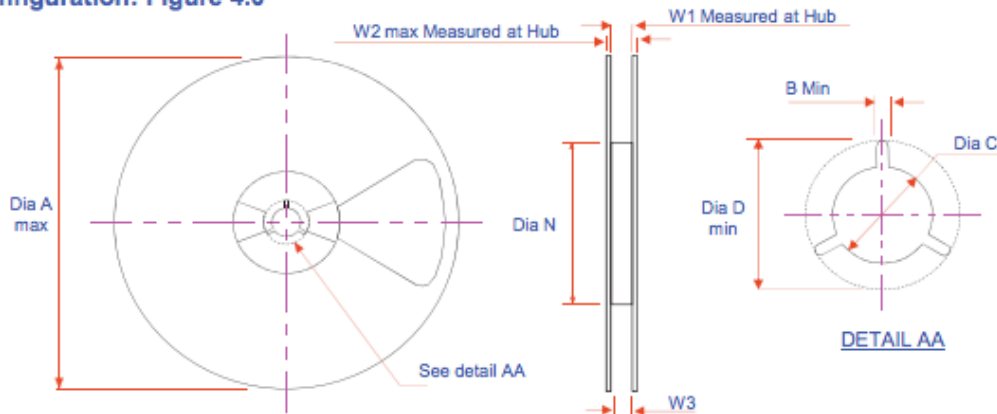


Dimensions are in millimeters														
Package	Ao ± 0.05	Bo ± 0.05	Do ± 0.10	$D1$ Min	$E1$ ± 0.10	F ± 0.10	Ko ± 0.05	$P1$ TYP	Po TYP	$P2$ ± 0.05	T TYP	Tc ± 0.005	W ± 0.30	Wc TYP
UMLP1.8x2.6	2.00	2.80	1.50	0.6	1.75	3.5	0.70	4.0	4.0	2.0	0.254	0.06	8.0	5.3

Notes: Ao , Bo , and Ko dimensions are determined with respect to the EIA /Jedec RS-481 rotational and lateral movement requirements (see sketches A, B, and C).



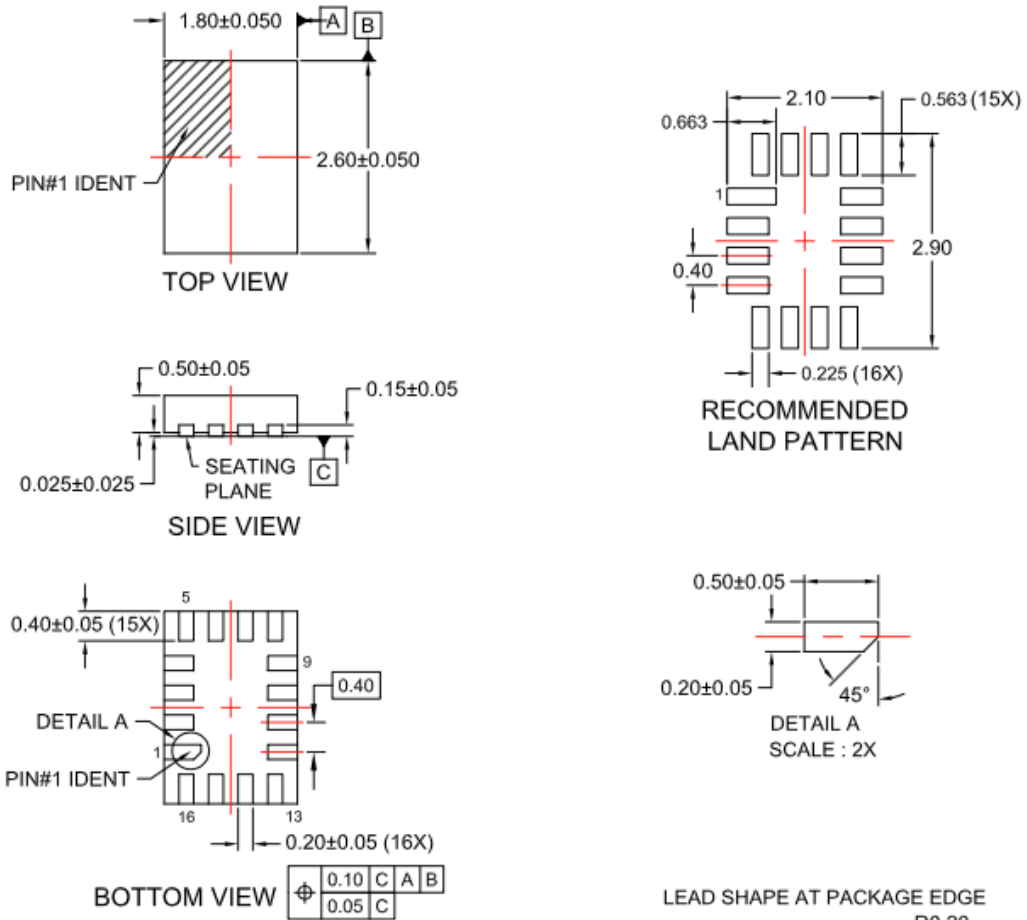
Reel Configuration: Figure 4.0



Dimensions are in millimeters									
Tape Width	Reel Option	$Dia A$ max	$Dia B$ min	$Dia C$ $+0.5/-0.2$	$Dia D$ min	Dim N min	Dim W1 $+2/-0$	Dim W2 Max	Dim W3 (LSL-USL)
8 mm	7" Dia	178.0	1.5	13.0	20.2	55.0	8.4	14.4	7.9-10.9

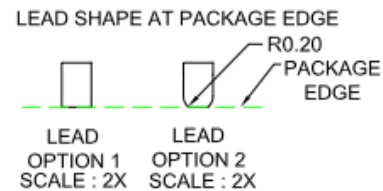
NOTES:
 A : ALL DIMENSION ARE IN MILLIMETERS UNLESS OTHERWISE SPECIFIED
 B : DRAWING FILE NAME : PKG-UMLP16AREV2
 C : PLASTIC REEL W1 DIMENSION CONTROL LIMIT OF:
 8MM REEL= $\pm 1.0MM$ AND 12MM REEL AND ABOVE = $\pm 1.5MM$

Physical Dimensions



NOTES:

- A. PACKAGE DOES NOT FULLY CONFORM TO JEDEC STANDARD.
- B. DIMENSIONS ARE IN MILLIMETERS.
- C. DIMENSIONS AND TOLERANCES PER ASME Y14.5M, 2009.
- D. LAND PATTERN RECOMMENDATION IS EXISTING INDUSTRY LAND PATTERN.
- E. DRAWING FILENAME: MKT-UMLP16revF.
- F. TERMINAL SHAPE MAY VARY ACCORDING TO PACKAGE SUPPLIER, SEE TERMINAL SHAPE VARIANTS.



ON Semiconductor



Figure 21. 16 Lead, UMLP, 0.55 mm x 1.8 mm x 2.6 mm

ON Semiconductor and the ON Semiconductor logo are trademarks of Semiconductor Components Industries, LLC dba ON Semiconductor or its subsidiaries in the United States and/or other countries. ON Semiconductor owns the rights to a number of patents, trademarks, copyrights, trade secrets, and other intellectual property. A listing of ON Semiconductor's product/patent coverage may be accessed at www.onsemi.com/site/pdf/Patent-Marking.pdf. ON Semiconductor reserves the right to make changes without further notice to any products herein. ON Semiconductor makes no warranty, representation or guarantee regarding the suitability of its products for any particular purpose, nor does ON Semiconductor assume any liability arising out of the application or use of any product or circuit, and specifically disclaims any and all liability, including without limitation special, consequential or incidental damages. Buyer is responsible for its products and applications using ON Semiconductor products, including compliance with all laws, regulations and safety requirements or standards, regardless of any support or applications information provided by ON Semiconductor. "Typical" parameters which may be provided in ON Semiconductor data sheets and/or specifications can and do vary in different applications and actual performance may vary over time. All operating parameters, including "Typicals" must be validated for each customer application by customer's technical experts. ON Semiconductor does not convey any license under its patent rights nor the rights of others. ON Semiconductor products are not designed, intended, or authorized for use as a critical component in life support systems or any FDA Class 3 medical devices or medical devices with a same or similar classification in a foreign jurisdiction or any devices intended for implantation in the human body. Should Buyer purchase or use ON Semiconductor products for any such unintended or unauthorized application, Buyer shall indemnify and hold ON Semiconductor and its officers, employees, subsidiaries, affiliates, and distributors harmless against all claims, costs, damages, and expenses, and reasonable attorney fees arising out of, directly or indirectly, any claim of personal injury or death associated with such unintended or unauthorized use, even if such claim alleges that ON Semiconductor was negligent regarding the design or manufacture of the part. ON Semiconductor is an Equal Opportunity/Affirmative Action Employer. This literature is subject to all applicable copyright laws and is not for resale in any manner.

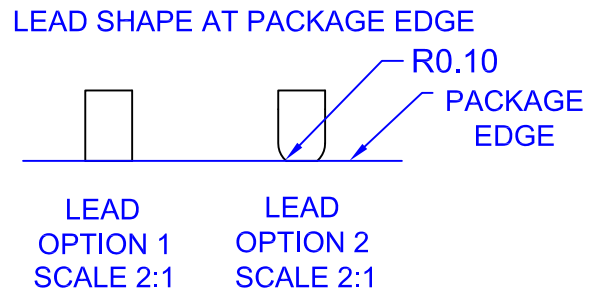
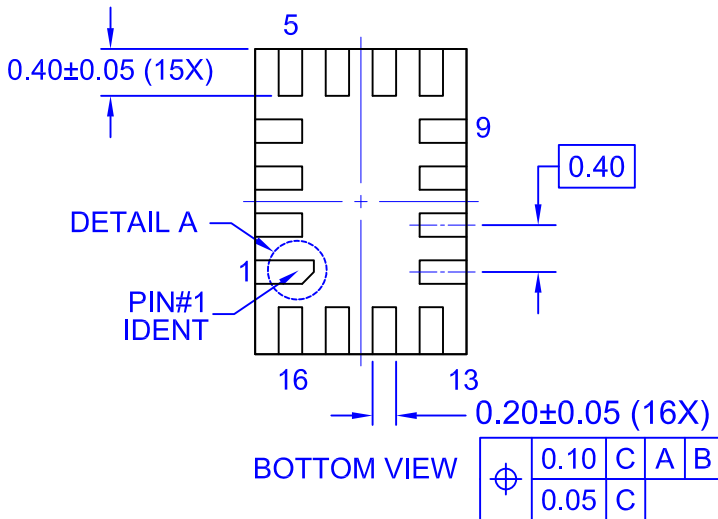
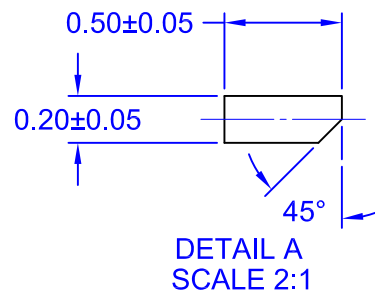
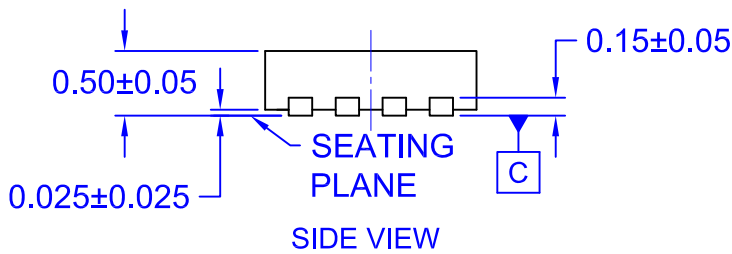
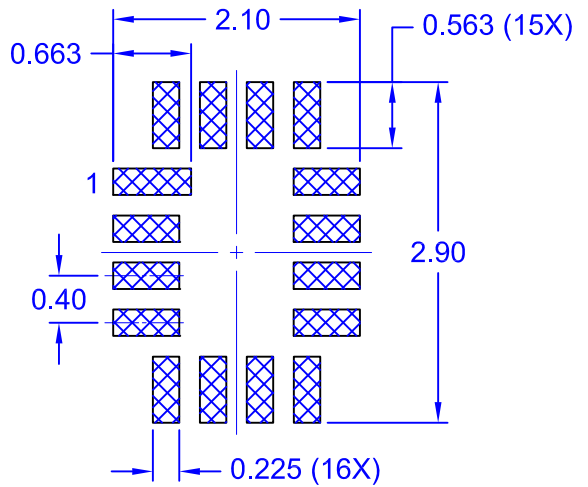
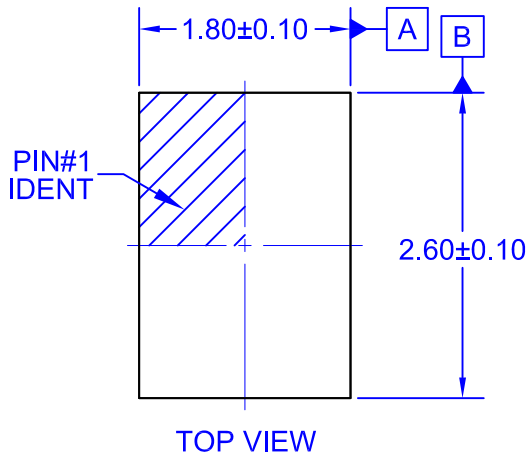
PUBLICATION ORDERING INFORMATION

LITERATURE FULFILLMENT:

Literature Distribution Center for ON Semiconductor
 19521 E. 32nd Pkwy, Aurora, Colorado 80011 USA
Phone: 303-675-2175 or 800-344-3860 Toll Free USA/Canada
Fax: 303-675-2176 or 800-344-3867 Toll Free USA/Canada
Email: orderlit@onsemi.com

N. American Technical Support: 800-282-9855 Toll Free
 USA/Canada.
Europe, Middle East and Africa Technical Support:
 Phone: 421 33 790 2910
Japan Customer Focus Center
 Phone: 81-3-5817-1050

ON Semiconductor Website: www.onsemi.com
Order Literature: <http://www.onsemi.com/orderlit>
 For additional information, please contact your local
 Sales Representative



NOTES:

- A. PACKAGE DOES NOT FULLY CONFORM TO JEDEC STANDARD.
- B. DIMENSIONS ARE IN MILLIMETERS.
- C. LAND PATTERN RECOMMENDATION IS EXISTING INDUSTRY LAND PATTERN.
- D. DRAWING FILENAME: MKT-UMLP16ArevG.
- E. TERMINAL SHAPE MAY VARY ACCORDING TO PACKAGE SUPPLIER, SEE TERMINAL SHAPE VARIANTS.

ON Semiconductor



ON Semiconductor and  are trademarks of Semiconductor Components Industries, LLC dba ON Semiconductor or its subsidiaries in the United States and/or other countries. ON Semiconductor owns the rights to a number of patents, trademarks, copyrights, trade secrets, and other intellectual property. A listing of ON Semiconductor's product/patent coverage may be accessed at www.onsemi.com/site/pdf/Patent-Marking.pdf. ON Semiconductor reserves the right to make changes without further notice to any products herein. ON Semiconductor makes no warranty, representation or guarantee regarding the suitability of its products for any particular purpose, nor does ON Semiconductor assume any liability arising out of the application or use of any product or circuit, and specifically disclaims any and all liability, including without limitation special, consequential or incidental damages. Buyer is responsible for its products and applications using ON Semiconductor products, including compliance with all laws, regulations and safety requirements or standards, regardless of any support or applications information provided by ON Semiconductor. "Typical" parameters which may be provided in ON Semiconductor data sheets and/or specifications can and do vary in different applications and actual performance may vary over time. All operating parameters, including "Typicals" must be validated for each customer application by customer's technical experts. ON Semiconductor does not convey any license under its patent rights nor the rights of others. ON Semiconductor products are not designed, intended, or authorized for use as a critical component in life support systems or any FDA Class 3 medical devices or medical devices with a same or similar classification in a foreign jurisdiction or any devices intended for implantation in the human body. Should Buyer purchase or use ON Semiconductor products for any such unintended or unauthorized application, Buyer shall indemnify and hold ON Semiconductor and its officers, employees, subsidiaries, affiliates, and distributors harmless against all claims, costs, damages, and expenses, and reasonable attorney fees arising out of, directly or indirectly, any claim of personal injury or death associated with such unintended or unauthorized use, even if such claim alleges that ON Semiconductor was negligent regarding the design or manufacture of the part. ON Semiconductor is an Equal Opportunity/Affirmative Action Employer. This literature is subject to all applicable copyright laws and is not for resale in any manner.

PUBLICATION ORDERING INFORMATION

LITERATURE FULFILLMENT:

Literature Distribution Center for ON Semiconductor
19521 E. 32nd Pkwy, Aurora, Colorado 80011 USA
Phone: 303-675-2175 or 800-344-3860 Toll Free USA/Canada
Fax: 303-675-2176 or 800-344-3867 Toll Free USA/Canada
Email: orderlit@onsemi.com

N. American Technical Support: 800-282-9855 Toll Free
USA/Canada
Europe, Middle East and Africa Technical Support:
Phone: 421 33 790 2910
Japan Customer Focus Center
Phone: 81-3-5817-1050

ON Semiconductor Website: www.onsemi.com
Order Literature: <http://www.onsemi.com/orderlit>
For additional information, please contact your local
Sales Representative