



Is Now Part of



ON Semiconductor®

To learn more about ON Semiconductor, please visit our website at
www.onsemi.com

Please note: As part of the Fairchild Semiconductor integration, some of the Fairchild orderable part numbers will need to change in order to meet ON Semiconductor's system requirements. Since the ON Semiconductor product management systems do not have the ability to manage part nomenclature that utilizes an underscore (_), the underscore (_) in the Fairchild part numbers will be changed to a dash (-). This document may contain device numbers with an underscore (_). Please check the ON Semiconductor website to verify the updated device numbers. The most current and up-to-date ordering information can be found at www.onsemi.com. Please email any questions regarding the system integration to Fairchild_questions@onsemi.com.

ON Semiconductor and the ON Semiconductor logo are trademarks of Semiconductor Components Industries, LLC dba ON Semiconductor or its subsidiaries in the United States and/or other countries. ON Semiconductor owns the rights to a number of patents, trademarks, copyrights, trade secrets, and other intellectual property. A listing of ON Semiconductor's product/patent coverage may be accessed at www.onsemi.com/site/pdf/Patent-Marking.pdf. ON Semiconductor reserves the right to make changes without further notice to any products herein. ON Semiconductor makes no warranty, representation or guarantee regarding the suitability of its products for any particular purpose, nor does ON Semiconductor assume any liability arising out of the application or use of any product or circuit, and specifically disclaims any and all liability, including without limitation special, consequential or incidental damages. Buyer is responsible for its products and applications using ON Semiconductor products, including compliance with all laws, regulations and safety requirements or standards, regardless of any support or applications information provided by ON Semiconductor. "Typical" parameters which may be provided in ON Semiconductor data sheets and/or specifications can and do vary in different applications and actual performance may vary over time. All operating parameters, including "Typicals" must be validated for each customer application by customer's technical experts. ON Semiconductor does not convey any license under its patent rights nor the rights of others. ON Semiconductor products are not designed, intended, or authorized for use as a critical component in life support systems or any FDA Class 3 medical devices or medical devices with a same or similar classification in a foreign jurisdiction or any devices intended for implantation in the human body. Should Buyer purchase or use ON Semiconductor products for any such unintended or unauthorized application, Buyer shall indemnify and hold ON Semiconductor and its officers, employees, subsidiaries, affiliates, and distributors harmless against all claims, costs, damages, and expenses, and reasonable attorney fees arising out of, directly or indirectly, any claim of personal injury or death associated with such unintended or unauthorized use, even if such claim alleges that ON Semiconductor was negligent regarding the design or manufacture of the part. ON Semiconductor is an Equal Opportunity/Affirmative Action Employer. This literature is subject to all applicable copyright laws and is not for resale in any manner.

FSA2866

Dual-Host / Dual-SIM Card Crosspoint Analog Switch

Features

Switch Type	2x2 Crosspoint Switch
Input Type	Data
Input Signal Range	0 to V_{CC}
V_{CC}	1.65V to 4.30V
R_{ON}	Data 2 Ω (Typical) VSIM 2 Ω (Typical)
R_{FLAT}	0.6 Ω (Typical)
ESD	IEC 61000-4-2 System Air 15kV, Contact 8kV
C_{ON}	28pF (Typical)
C_{OFF}	12pF (Typical)
Package	20-Lead UMLP, 3 x 3 x 0.55mm, 0.40mm Pitch with Exposed DAP
Ordering Information	FSA2866UMX

Description

The FSA2866 is a dual-host, dual-SIM card analog switch designed specifically for cell phones that support two specific carrier services (for example, CDMA and GSM/3G).

Related Resources

- For samples and questions, please contact: Analog.Switch@fairchildsemi.com.
- FSA2866 Evaluation Board

Applications

- MP3 Portable Media Players
- Cellular Phones, Smart Phones

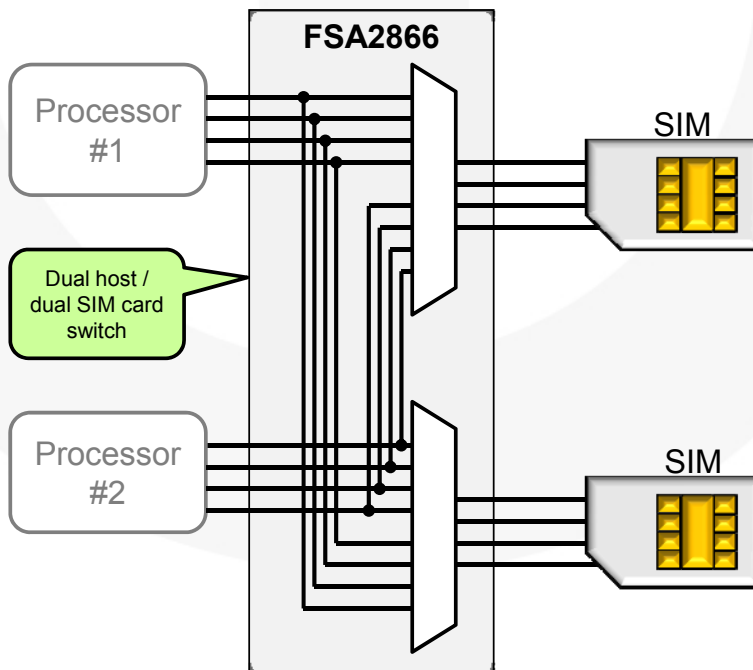


Figure 1. Typical Mobile Phone Application

Pin Descriptions

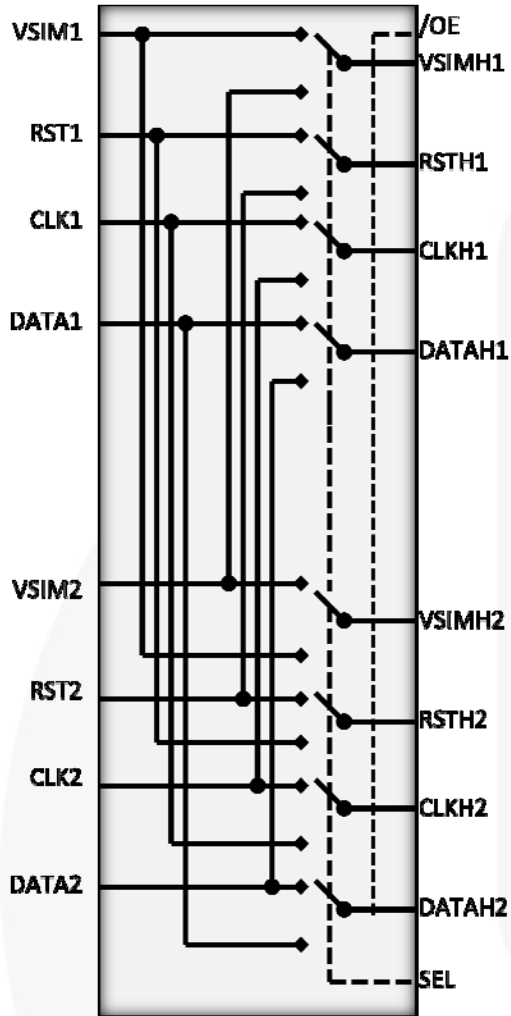


Figure 2. Functional Diagram

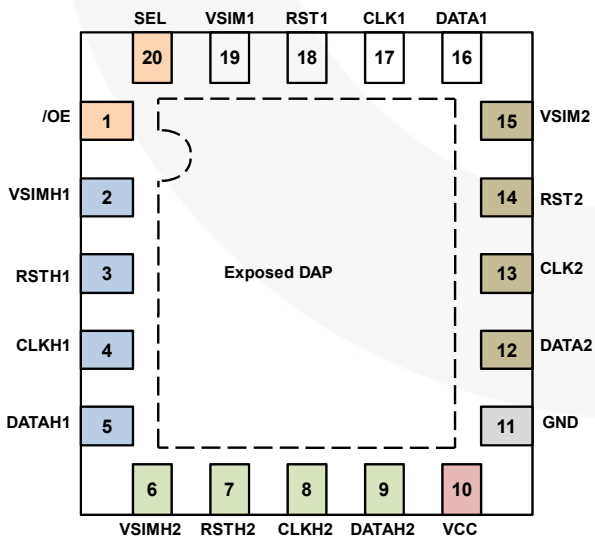


Figure 3. Pin Assignments (Top Through View)

Pin #	Name	Type	Description		
1	/OE	Input	Output Enable	0	Active
				1	Switch Disabled
2	VSIMH1	I/O	Common Ports for Host #1		
3	RSTH1	I/O			
4	CLKH1	I/O			
5	DATAH1	I/O			
6	VSIMH2	I/O	Common Ports for Host #2		
7	RSTH2	I/O			
8	CLKH2	I/O			
9	DATAH2	I/O			
10	VCC	Supply	Power		
11	GND	Ground	Ground		
12	DATA2	I/O	SIM Card Ports for Card #2		
13	CLK2	I/O			
14	RST2	I/O			
15	VSIM2	I/O			
16	DATA1	I/O	SIM Card Ports for Card #1		
17	CLK1	I/O			
18	RST1	I/O			
19	VSIM1	I/O			
20	SEL	Input	Control Pin	SEL=0	Host #1 connected to Card #1 [VSIMH1=VSIM1; DATAH1=DATA1; CLKH1=CLK1; RSTH1=RST1]
				SEL=1	Host #2 connected to Card #2 [VSIMH2=VSIM2; DATAH2=DATA2; CLKH2=CLK2; RSTH2=RST2]
DAP	DAP	N/C	Exposed die attach paddle (DAP) not electrically connected to any pin.		

Absolute Maximum Ratings

Stresses exceeding the absolute maximum ratings may damage the device. The device may not function or be operable above the recommended operating conditions and stressing the parts to these levels is not recommended. In addition, extended exposure to stresses above the recommended operating conditions may affect device reliability. The absolute maximum ratings are stress ratings only.

Symbol	Parameter	Min.	Max.	Unit
V_{CC}	Supply Voltage	-0.50	+5.5	V
V_{CNTRL}	DC Input Voltage (SEL,/OE)	-0.5	V_{CC}	V
V_{SW}	DC Switch I/O Voltage - DATAHn, CLKHn, CLKn, RSTHn, RSTn	-0.5	$V_{CC} + 0.3$	V
I_{IK}	DC Input Diode Current	-50		mA
I_{SIM}	DC Output Current – VSIMHn, VSIMn		100	mA
I_{OUT}	DC Output Current – DATAHn, CLKHn, CLKn, RSTHn, RSTn		35	mA
T_{STG}	Storage Temperature	-65	+150	°C
ESD	Human Body Model, JEDEC: JESD22-A114	All Pins	8	kV
		I/O to GND, Card Side Pins	16	
		Power to GND	9	
	Charged Device Model, JEDEC: JESD22-C101		2	
	IEC 61000-4-2 System-Level	Contact	8	
		Air Gap	15	

Recommended Operating Conditions

The Recommended Operating Conditions table defines the conditions for actual device operation. Recommended operating conditions are specified to ensure optimal performance to the datasheet specifications. Fairchild does not recommend exceeding these ratings or designing to Absolute Maximum Ratings.

Symbol	Parameter	Min.	Typ.	Max.	Unit
V_{CC}	Supply Voltage	1.65		4.3	V
V_{CNTRL}	Control Input Voltage (SEL, /OE)	0		V_{CC}	V
V_{SW}	Switch I/O Voltage - DATAHn, CLKHn, CLKn, RSTHn, RSTn	0		V_{CC}	V
I_{SIM}	DC Output Current – VSIMHn, VSIMn			30	mA
I_{OUT}	DC Output Current – DATAHn, CLKHn, CLKn, RSTHn, RSTn			10	mA
T_A	Operating Temperature	-40		+85	°C

DC Electrical Characteristics

$T_A=25^{\circ}\text{C}$ and $V_{CC}=3.0\text{V}$ unless otherwise noted.

Symbol	Parameter	Conditions	V_{CC} (V)	$T_A=-40^{\circ}\text{C}$ to $+85^{\circ}\text{C}$			Unit	
				Min.	Ty p.	Max.		
V_{IK}	Clamp Diode Voltage	$I_{IN}=-18\text{mA}$	2.7			-1.2	V	
V_{IH}	Input Voltage High		1.65 to 2.30	1.1			V	
			2.7 to 3.6	1.3				
			4.3	1.7				
V_{IL}	Input Voltage Low		1.65 to 2.30			0.4	V	
			2.7 to 3.6			0.5		
			4.3			0.7		
I_{IN}	Control Input Leakage (SEL, /OE)	$V_{SW}=0$ to V_{CC}	4.3	-1		1	μA	
$I_{NO(OFF)}$ $I_{NC(OFF)}$	Off Leakage Current of Ports RSTn, DATAn, CLKn, VSIMn	$V_{SIMHn}=\text{DATAHn}=\text{CLKHn}=\text{RSTHn}=0.3\text{V}$, $V_{CC}=0.3\text{V}$; RSTn, CLKn, DATAn, or $V_{SIMn}=V_{CC}-0.3\text{V}$, 0.3V , or Floating	4.3	-100		100	nA	
$I_{A(ON)}$	On Leakage Current of Common Ports – RSTHn, DATAHn, CLKHn, VSIMHn	Common=0.3V, $V_{CC}=0.3\text{V}$; $V_{SIMHn}=\text{DATAHn}=\text{CLKHn}=\text{RSTHn}=V_{CC}-0.3\text{V}$, 0.3V , or Floating	4.3	-100		100	nA	
I_{OFF}	Power-Off Leakage Current	V_{SIMHn} or DATAHn or CLKHn or RSTHn $V_{IN}=0\text{V}$ to 4.3V , $V_{CC}=0\text{V}$	0	-2		2	μA	
I_{OZ}	Off-State Leakage	V_{SIMHn} or DATAHn or CLKHn or RSTHn $V_{IN}=0.3\text{V}$ to 4.3V , $/\text{OE}=V_{CC}$	4.3	-5		5	μA	
R_{ON_DATA}	Switch On Resistance for Data Paths	$I_{ON}=-20\text{mA}$; $/\text{OE}=0\text{V}$; $\text{SEL}=V_{CC}$ or 0V ; RSTn, CLKn, DATAn, or $V_{SIMn}=0$ or 2.7V	2.7			2.0	3.5	Ω
R_{ON_VSIM}	Switch On Resistance for VSIM Paths	$I_{ON}=-50\text{mA}$; $/\text{OE}=0\text{V}$; $\text{SEL}=V_{CC}$ or 0V ; RSTn, CLKn, DATAn, or $V_{SIMn}=0$ or 2.7V	2.7			2.0	3.5	Ω
ΔR_{ON_DATA}	On Resistance Matching Between Data Channels	$I_{ON}=-20\text{mA}$; $/\text{OE}=0\text{V}$; $\text{SEL}=V_{CC}$ or 0V ; RSTn, CLKn, or $\text{DATAn}=0\text{V}$	2.7			0.10	0.25	Ω
R_{ON_FLAT}	On Resistance Flatness Data Path Signals	$I_{ON}=-20\text{mA}$, $/\text{OE}=0\text{V}$, $\text{SEL}=V_{CC}$ or 0V , RSTn, CLKn or $\text{DATAn}=0$ to V_{CC}	2.7			0.6	0.8	Ω
I_{CC}	Quiescent Supply Current	$V_{IN}=0$ or V_{CC} , $I_{OUT}=0$	4.3				1	μA
I_{CCT}	Increase in I_{CC} Current Per Control Voltage and V_{CC}	$V_{IN}=1.65\text{V}$, $V_{CC}=4.3\text{V}$	4.3			7	9.5	μA

Notes:

1. Guaranteed by characterization; not production tested.
2. On resistance is determined by the voltage drop between the D+/D- and D+/R, D-/L pins at the indicated current through the switch.
3. $\Delta R_{ON}=R_{ON_max} - R_{ON_min}$ measured at identical V_{CC} , temperature, and voltage.

AC Electrical Characteristics

$T_A=25^{\circ}\text{C}$ and $V_{CC}=3.0\text{V}$ unless otherwise noted.

Symbol	Parameter	Conditions	V_{CC} (V)	$T_A=-40^{\circ}\text{C}$ to $+85^{\circ}\text{C}$			Unit
				Min.	Typ.	Max.	
t_{ON}	Turn-On Time, /OE to Output	$R_L=50\Omega$, $C_L=30\text{pF}$, $V_{SW}=0.8\text{V}$ Figure 4	2.8 to 4.3		55	75	ns
			1.8			110	
t_{OFF}	Turn-Off Time, /OE to Output	$R_L=50\Omega$, $C_L=30\text{pF}$, $V_{SW}=0.8\text{V}$ Figure 4	2.8 to 4.3		24	75	ns
			1.8			110	
t_{BBM}	Break-Before-Make Time	$R_L=50\Omega$, $C_L=30\text{pF}$, $V_{SW}=0.8\text{V}$ Figure 5		2	35		ns
O_{IRR}	Off Isolation	$R_L=50\Omega$, $f=100\text{KHz}$, /OE= V_{CC} , $V_{SW}=13\text{dBm}$ ($3V_{pp}$) Figure 6	1.8 to 4.3		90		dB
X_{TALK}	Crosstalk	$R_L=50\Omega$, $f=100\text{KHz}$, $V_{SW}=13\text{dBm}$ ($3V_{pp}$) Figure 6	1.8 to 4.3		85		dB
BW	-3db Bandwidth	$R_L=50\Omega$, $C_L=0\text{pF}$, Figure 8	3.0		210		MHz
		$R_L=50\Omega$, $C_L=5\text{pF}$, Figure 8			198		
		$R_L=50\Omega$, $C_L=30\text{pF}$, Figure 8			120		
		$R_L=50\Omega$, $C_L=50\text{pF}$, Figure 8			78		

Note:

- Guaranteed by characterization; not production tested.

Capacitance

$T_A=25^{\circ}\text{C}$ unless otherwise noted.

Symbol	Parameter	Conditions	$T_A=-40^{\circ}\text{C}$ to $+85^{\circ}\text{C}$			Unit
			Min.	Typ.	Max.	
C_{IN}	Control Pin Input Capacitance	$V_{CC}=0\text{V}$, $f=1\text{MHz}$		2		pF
C_{ON}	On Capacitance	$V_{CC}=3.3\text{V}$, /OE=0V, $f=1\text{MHz}$, Figure 7		28		pF
C_{OFF}	Off Capacitance	V_{CC} and /OE=3.3V, $f=1\text{MHz}$, Figure 7		12		pF

AC Loadings and Waveforms

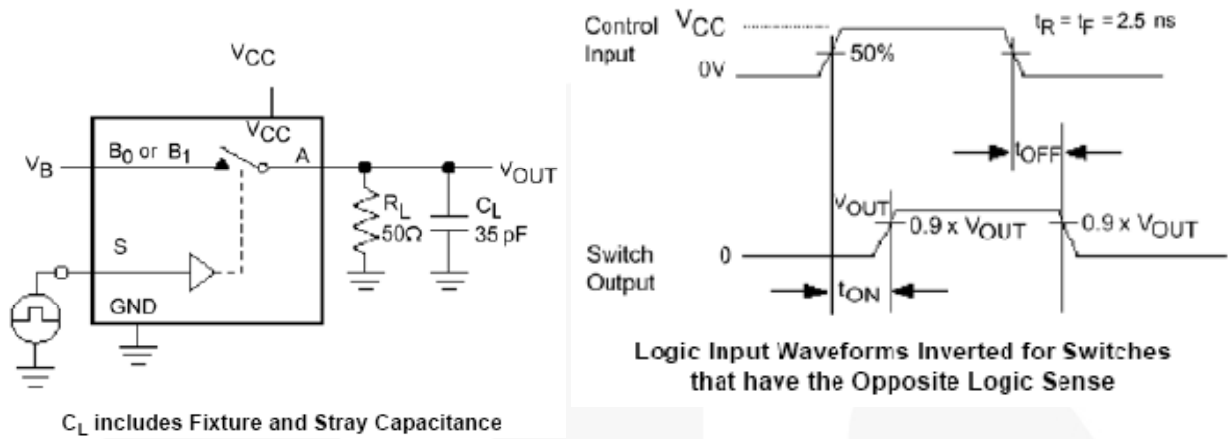


Figure 4. Turn-On / Turn-Off Timing

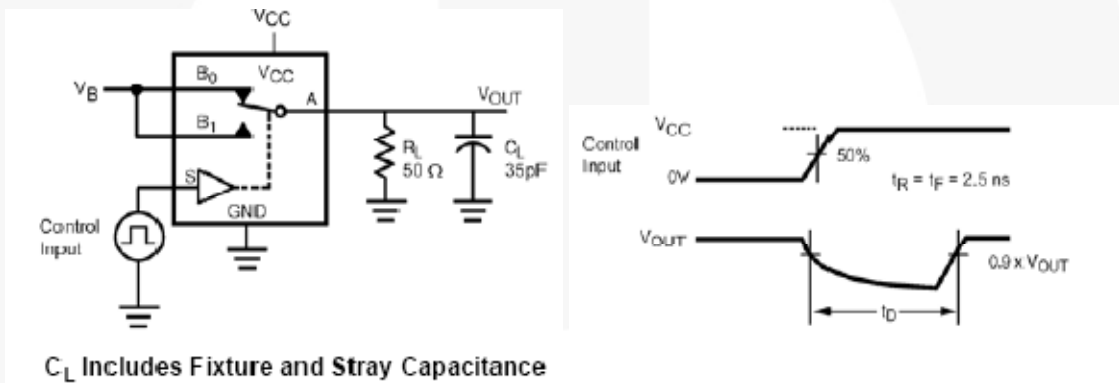


Figure 5. Break-Before-Make Timing

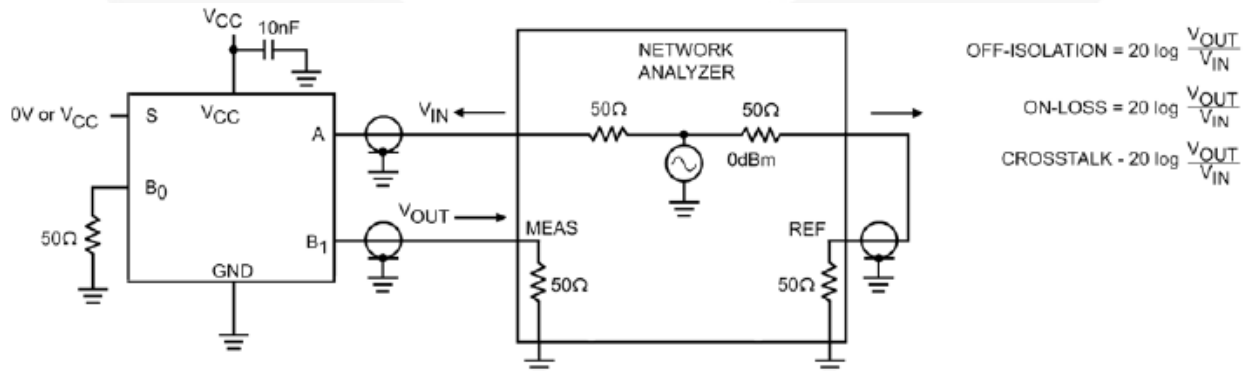


Figure 6. Off Isolation and Crosstalk

AC Loadings and Waveforms (Continued)

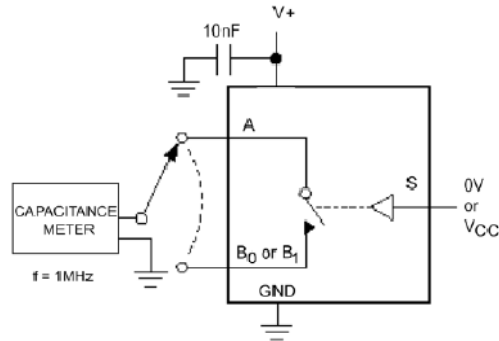


Figure 7. On / Off Capacitance Measurement Setup

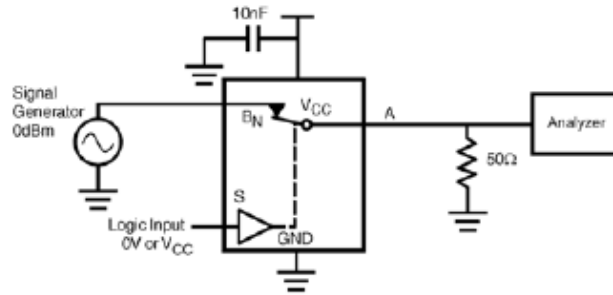


Figure 8. Bandwidth



Physical Dimensions

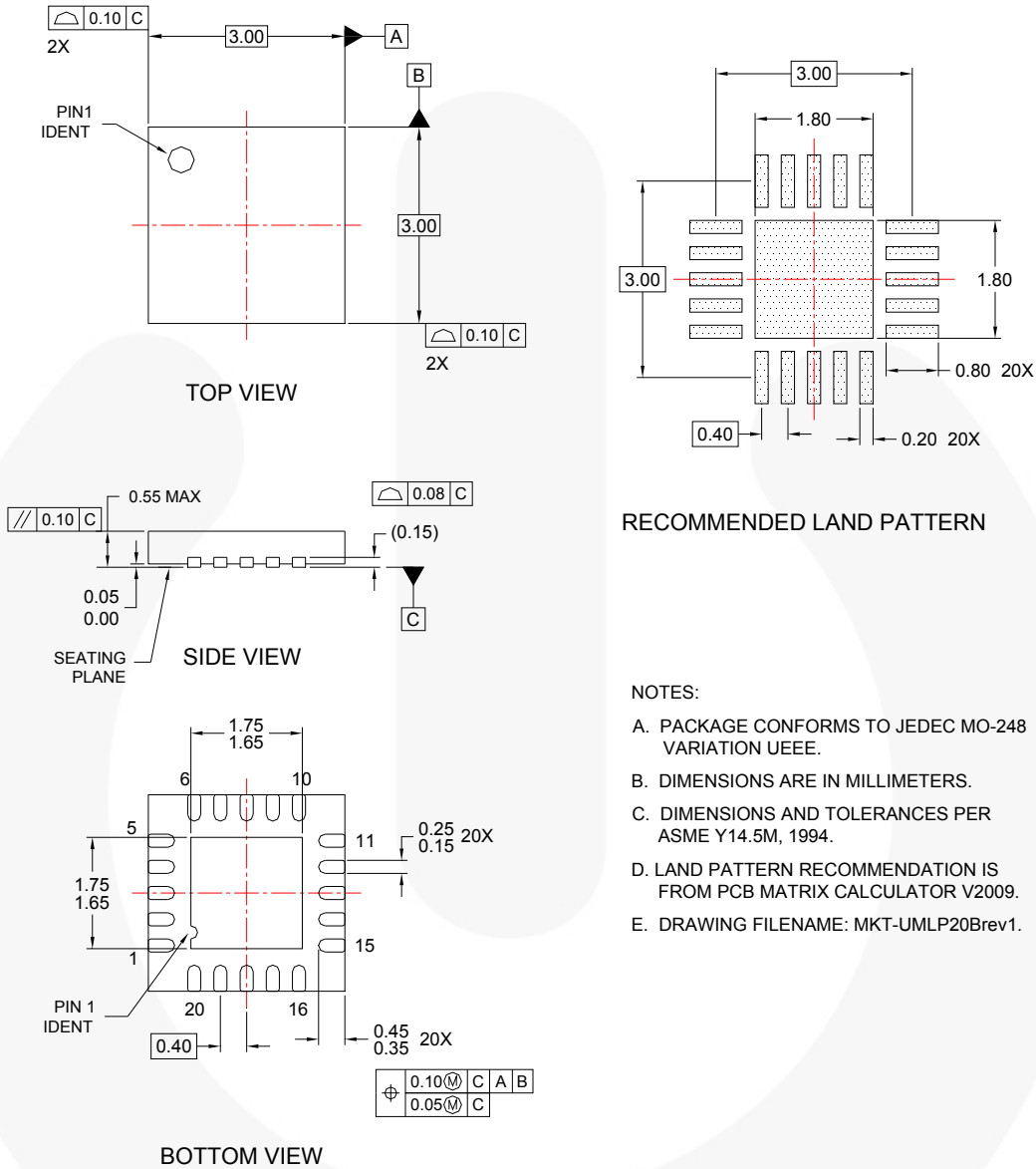


Figure 9. 20-Pin Ultrathin Molded Leadless Package (UMLP)

Order Number	Operating Temperature Range	Package Description	Packing Method
FSA2866UMX	-40 to 85°C	20-Lead Ultrathin Molded Leadless Package (UMLP)	Tape & Reel






Package drawings are provided as a service to customers considering Fairchild components. Drawings may change in any manner without notice. Please note the revision and/or date on the drawing and contact a Fairchild Semiconductor representative to verify or obtain the most recent revision. Package specifications do not expand the terms of Fairchild's worldwide terms and conditions, specifically the warranty therein, which covers Fairchild products.

Always visit Fairchild Semiconductor's online packaging area for the most recent package drawings: <http://www.fairchildsemi.com/packaging/>.



TRADEMARKS

The following includes registered and unregistered trademarks and service marks, owned by Fairchild Semiconductor and/or its global subsidiaries, and is not intended to be an exhaustive list of all such trademarks.

AccuPower™	FPST™	Power-SPM™	The Power Franchise®
Auto-SPM™	F-PFST™	PowerTrench®	The Right Technology for Your Success™
AX-CAP™	FRFET®	PowerXS™	the power franchise
BitSiC®	Global Power Resource™	Programmable Active Droop™	TinyBoost™
Build it Now™	Green FPS™	QFET®	TinyBuck™
CorePLUS™	Green FPS™ e-Series™	QS™	TinyCalc™
CorePOWER™	Gmax™	Quiet Series™	TinyLogic®
CROSSVOLT™	GTO™	RapidConfigure™	TINYOPTO™
CTL™	IntelliMAX™	 ™	TinyPower™
Current Transfer Logic™	ISOPLANAR™	Saving our world, 1mW/W/kW at a time™	TinyPWM™
DEUXPEED®	MegaBuck™	SignalWise™	TinyWire™
Dual Cool™	MICROCOUPLER™	SmartMax™	TranSiC®
EcoSPARK®	MicroFET™	SMART START™	TriFault Detect™
EfficientMax™	MicroPak™	SPM®	TRUECURRENT®
ESBC™	MicroPak2™	STEALTH™	µSerDes™
 Fairchild®	MillerDrive™	SuperFET®	 SerDes™
Fairchild Semiconductor®	MotionMax™	SuperSOT™-3	UHC®
FACT Quiet Series™	Motion-SPM™	SuperSOT™-6	Ultra FRFET™
FACT®	mWSaver™	SuperSOT™-8	UniFET™
FAST®	OptoHiT™	SupreMOS®	VCX™
FastvCore™	OPTOLOGIC®	SyncFET™	VisualMax™
FETBench™	OPTOPLANAR®	Sync-Lock™	XS™
FlashWriter®	 PDP SPM™	 SYSTEM GENERAL®	

* Trademarks of System General Corporation, used under license by Fairchild Semiconductor.

DISCLAIMER

FAIRCHILD SEMICONDUCTOR RESERVES THE RIGHT TO MAKE CHANGES WITHOUT FURTHER NOTICE TO ANY PRODUCTS HEREIN TO IMPROVE RELIABILITY, FUNCTION, OR DESIGN. FAIRCHILD DOES NOT ASSUME ANY LIABILITY ARISING OUT OF THE APPLICATION OR USE OF ANY PRODUCT OR CIRCUIT DESCRIBED HEREIN, NEITHER DOES IT CONVEY ANY LICENSE UNDER ITS PATENT RIGHTS, NOR THE RIGHTS OF OTHERS. THESE SPECIFICATIONS DO NOT EXPAND THE TERMS OF FAIRCHILD'S WORLDWIDE TERMS AND CONDITIONS, SPECIFICALLY THE WARRANTY THEREIN, WHICH COVERS THESE PRODUCTS.

LIFE SUPPORT POLICY

FAIRCHILD'S PRODUCTS ARE NOT AUTHORIZED FOR USE AS CRITICAL COMPONENTS IN LIFE SUPPORT DEVICES OR SYSTEMS WITHOUT THE EXPRESS WRITTEN APPROVAL OF FAIRCHILD SEMICONDUCTOR CORPORATION.

As used herein:

1. Life support devices or systems are devices or systems which, (a) are intended for surgical implant into the body or (b) support or sustain life, and (c) whose failure to perform when properly used in accordance with instructions for use provided in the labeling, can be reasonably expected to result in a significant injury of the user.
2. A critical component in any component of a life support device, or system whose failure to perform can be reasonably expected to cause the failure of the life support device or system, or to affect its safety or effectiveness.

ANTI-COUNTERFEITING POLICY

Fairchild Semiconductor Corporation's Anti-Counterfeiting Policy. Fairchild's Anti-Counterfeiting Policy is also stated on our external website, www.fairchildsemi.com, under Sales Support.

Counterfeiting of semiconductor parts is a growing problem in the industry. All manufacturers of semiconductor products are experiencing counterfeiting of their parts. Customers who inadvertently purchase counterfeit parts experience many problems such as loss of brand reputation, substandard performance, failed applications, and increased cost of production and manufacturing delays. Fairchild is taking strong measures to protect ourselves and our customers from the proliferation of counterfeit parts. Fairchild strongly encourages customers to purchase Fairchild parts either directly from Fairchild or from Authorized Fairchild Distributors who are listed by country on our web page cited above. Products customers buy either from Fairchild directly or from Authorized Fairchild Distributors are genuine parts, have full traceability, meet Fairchild's quality standards for handling and storage and provide access to Fairchild's full range of up-to-date technical and product information. Fairchild and our Authorized Distributors will stand behind all warranties and will appropriately address any warranty issues that may arise. Fairchild will not provide any warranty coverage or other assistance for parts bought from Unauthorized Sources. Fairchild is committed to combat this global problem and encourage our customers to do their part in stopping this practice by buying direct or from authorized distributors.

PRODUCT STATUS DEFINITIONS

Definition of Terms

Datasheet Identification	Product Status	Definition
Advance Information	Formative / In Design	Datasheet contains the design specifications for product development. Specifications may change in any manner without notice.
Preliminary	First Production	Datasheet contains preliminary data; supplementary data will be published at a later date. Fairchild Semiconductor reserves the right to make changes at any time without notice to improve design.
No Identification Needed	Full Production	Datasheet contains final specifications. Fairchild Semiconductor reserves the right to make changes at any time without notice to improve the design.
Obsolete	Not In Production	Datasheet contains specifications on a product that is discontinued by Fairchild Semiconductor. The datasheet is for reference information only.

Rev. I54

ON Semiconductor and  are trademarks of Semiconductor Components Industries, LLC dba ON Semiconductor or its subsidiaries in the United States and/or other countries. ON Semiconductor owns the rights to a number of patents, trademarks, copyrights, trade secrets, and other intellectual property. A listing of ON Semiconductor's product/patent coverage may be accessed at www.onsemi.com/site/pdf/Patent-Marking.pdf. ON Semiconductor reserves the right to make changes without further notice to any products herein. ON Semiconductor makes no warranty, representation or guarantee regarding the suitability of its products for any particular purpose, nor does ON Semiconductor assume any liability arising out of the application or use of any product or circuit, and specifically disclaims any and all liability, including without limitation special, consequential or incidental damages. Buyer is responsible for its products and applications using ON Semiconductor products, including compliance with all laws, regulations and safety requirements or standards, regardless of any support or applications information provided by ON Semiconductor. "Typical" parameters which may be provided in ON Semiconductor data sheets and/or specifications can and do vary in different applications and actual performance may vary over time. All operating parameters, including "Typicals" must be validated for each customer application by customer's technical experts. ON Semiconductor does not convey any license under its patent rights nor the rights of others. ON Semiconductor products are not designed, intended, or authorized for use as a critical component in life support systems or any FDA Class 3 medical devices or medical devices with a same or similar classification in a foreign jurisdiction or any devices intended for implantation in the human body. Should Buyer purchase or use ON Semiconductor products for any such unintended or unauthorized application, Buyer shall indemnify and hold ON Semiconductor and its officers, employees, subsidiaries, affiliates, and distributors harmless against all claims, costs, damages, and expenses, and reasonable attorney fees arising out of, directly or indirectly, any claim of personal injury or death associated with such unintended or unauthorized use, even if such claim alleges that ON Semiconductor was negligent regarding the design or manufacture of the part. ON Semiconductor is an Equal Opportunity/Affirmative Action Employer. This literature is subject to all applicable copyright laws and is not for resale in any manner.

PUBLICATION ORDERING INFORMATION

LITERATURE FULFILLMENT:

Literature Distribution Center for ON Semiconductor
19521 E. 32nd Pkwy, Aurora, Colorado 80011 USA
Phone: 303-675-2175 or 800-344-3860 Toll Free USA/Canada
Fax: 303-675-2176 or 800-344-3867 Toll Free USA/Canada
Email: orderlit@onsemi.com

N. American Technical Support: 800-282-9855 Toll Free
USA/Canada
Europe, Middle East and Africa Technical Support:
Phone: 421 33 790 2910
Japan Customer Focus Center
Phone: 81-3-5817-1050

ON Semiconductor Website: www.onsemi.com
Order Literature: <http://www.onsemi.com/orderlit>
For additional information, please contact your local
Sales Representative