

CBTU04082

1.8 V, wide bandwidth, 4 differential channel,
2 : 1 multiplexer/demultiplexer switch with single enable

Rev. 2 — 13 July 2010

Product data sheet

1. General description

CBTU04082 is an 8-to-4 differential channel multiplexer/ demultiplexer switch. The CBTU04082 can switch four differential signals to one of two locations. Using a unique design technique, NXP has minimized the impedance of the switch such that the attenuation observed through the switch is negligible, and also minimizes the channel-to-channel skew as well as channel-to-channel crosstalk, as required by the high-speed serial interface.

2. Features and benefits

- 4 differential channel, 2 : 1 multiplexer/demultiplexer
- High-speed signal switching; 5.0 Gbit/s
- Low intra-pair skew: 10 ps maximum (between positive and negative bits)
- Low crosstalk: -23 dB at 3 GHz
- Low off-state isolation: -23 dB at 3 GHz
- V_{DD} operating range: 1.8 V \pm 10 %
- ESD tolerance:
 - ◆ 6 kV HBM
 - ◆ 1 kV CDM
- Low inter-pair skew: 35 ps maximum
- Fit, form and function compatible to PI2PCIE2412
- HVQFN42 package

3. Applications

- Routing of high-speed differential signals with low signal attenuation
 - ◆ PCIe Gen2
 - ◆ DisplayPort 1.1a
 - ◆ LVDS
 - ◆ SATA 3 Gbit/s



4. Ordering information

Table 1. Ordering information

Type number	Package		Version
	Name	Description	
CBTU04082BS	HVQFN42	plastic thermal enhanced very thin quad flat package; no leads; 42 terminals; body 3.5 × 9 × 0.85 mm	SOT1144-1

5. Functional diagram

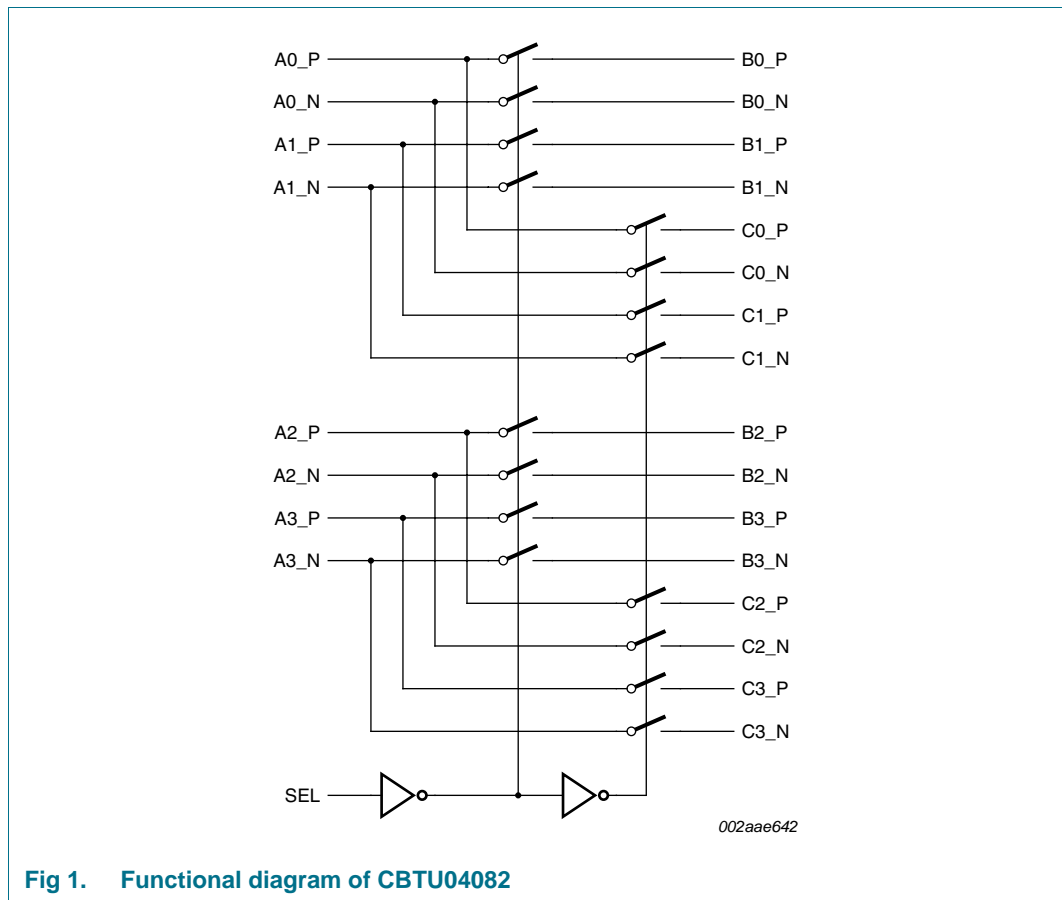


Fig 1. Functional diagram of CBTU04082

6. Pinning information

6.1 Pinning

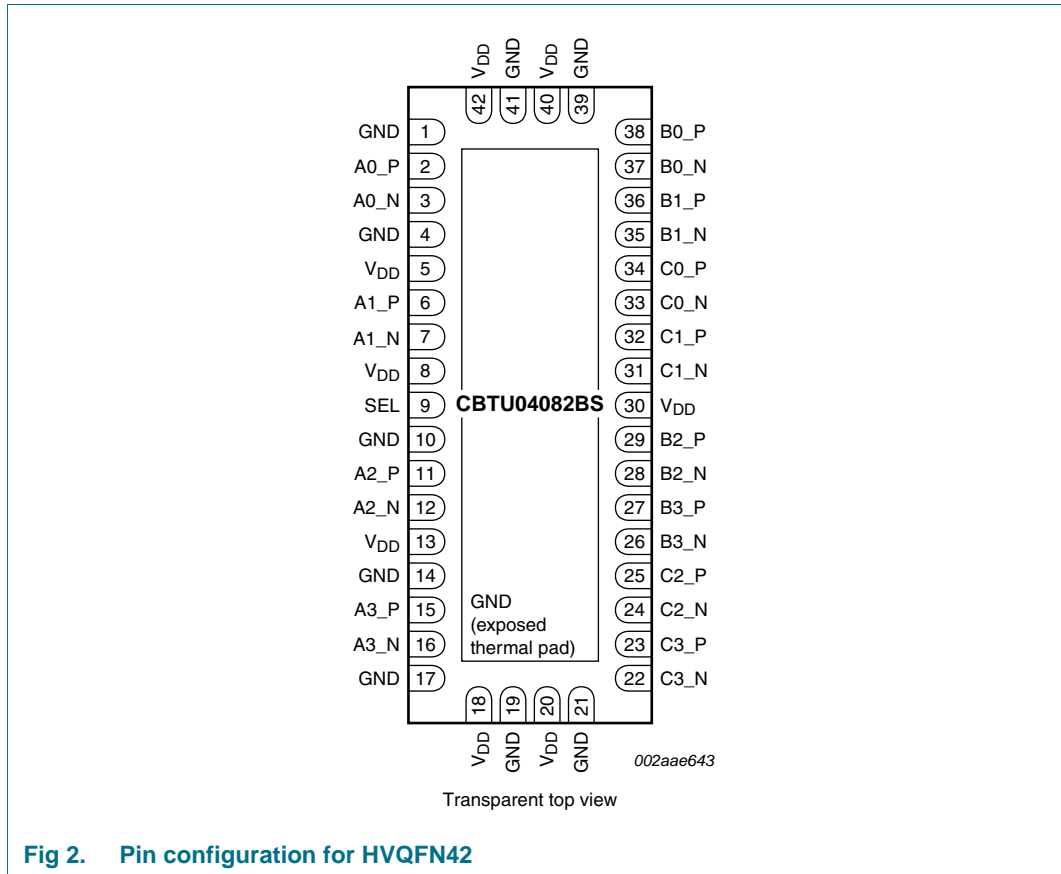


Fig 2. Pin configuration for HVQFN42

6.2 Pin description

Table 2. Pin description

Symbol	Pin	Type	Description
A0_P	2	I/O	channel 0, port A differential signal input/output
A0_N	3	I/O	
A1_P	6	I/O	channel 1, port A differential signal input/output
A1_N	7	I/O	
A2_P	11	I/O	channel 2, port A differential signal input/output
A2_N	12	I/O	
A3_P	15	I/O	channel 3, port A differential signal input/output
A3_N	16	I/O	
B0_P	38	I/O	channel 0, port B differential signal input/output
B0_N	37	I/O	
B1_P	36	I/O	channel 1, port B differential signal input/output
B1_N	35	I/O	
B2_P	29	I/O	channel 2, port B differential signal input/output
B2_N	28	I/O	
B3_P	27	I/O	channel 3, port B differential signal input/output
B3_N	26	I/O	
C0_P	34	I/O	channel 0, port C differential signal input/output
C0_N	33	I/O	
C1_P	32	I/O	channel 1, port C differential signal input/output
C1_N	31	I/O	
C2_P	25	I/O	channel 2, port C differential signal input/output
C2_N	24	I/O	
C3_P	23	I/O	channel 3, port C differential signal input/output
C3_N	22	I/O	
SEL	9	CMOS single-ended input	operation mode select SEL = 0: A → B SEL = 1: A → C
V _{DD}	5, 8, 13, 18, 20, 30, 40, 42	power	positive supply voltage, 1.8 V to 2.0 V (± 0.1 V)
GND	1, 4, 10, 14, 17, 19, 21, 39, 41, center pad	power	supply ground

7. Functional description

Refer to [Figure 1 “Functional diagram of CBTU04082”](#).

7.1 Function selection

Table 3. Function selection

SEL	Function
L	An to Bn
H	An to Cn

8. Limiting values

Table 4. Limiting values

In accordance with the Absolute Maximum Rating System (IEC 60134).

Symbol	Parameter	Conditions	Min	Max	Unit
V_{DD}	supply voltage	referenced to GND	-0.5	+2.5	V
V_I	input voltage		-0.5	V_{DD}	V
I_O	output current		-	120	mA
P	power dissipation		-	0.5	W
T_{stg}	storage temperature		-65	+150	°C

9. Static characteristics

Table 5. Static characteristics

$V_{DD} = 1.8\text{ V} \pm 10\%$; $T_{amb} = -40\text{ °C}$ to $+85\text{ °C}$; unless otherwise specified.

Symbol	Parameter	Conditions	Min	Typ ^[1]	Max	Unit
I_{DD}	supply current	$V_{DD} = \text{max.}; V_I = \text{GND or } V_{DD}$	-	-	4	mA
I_{IH}	HIGH-level input current	$V_{DD} = \text{max.}; V_I = V_{DD}$	-	-	± 5 ^[2]	μA
I_{IL}	LOW-level input current	$V_{DD} = \text{max.}; V_I = \text{GND}$	-	-	± 5 ^[2]	μA
V_{IH}	HIGH-level input voltage	guaranteed HIGH level	$0.65V_{DD}$	-	-	V
V_{IL}	LOW-level input voltage	guaranteed LOW level	-0.5	-	$0.15V_{DD}$	V
V_{IK}	input clamping voltage	$V_{DD} = \text{max.}; I_I = -18\text{ mA}$	-	-0.7	-1.2	V

[1] Typical values are at $V_{DD} = 1.8\text{ V}$, $T_{amb} = 25\text{ °C}$, and maximum loading.

[2] Input leakage current is $\pm 50\text{ }\mu\text{A}$ if differential pairs are pulled to HIGH and LOW.

10. Dynamic characteristics

Table 6. Dynamic characteristics

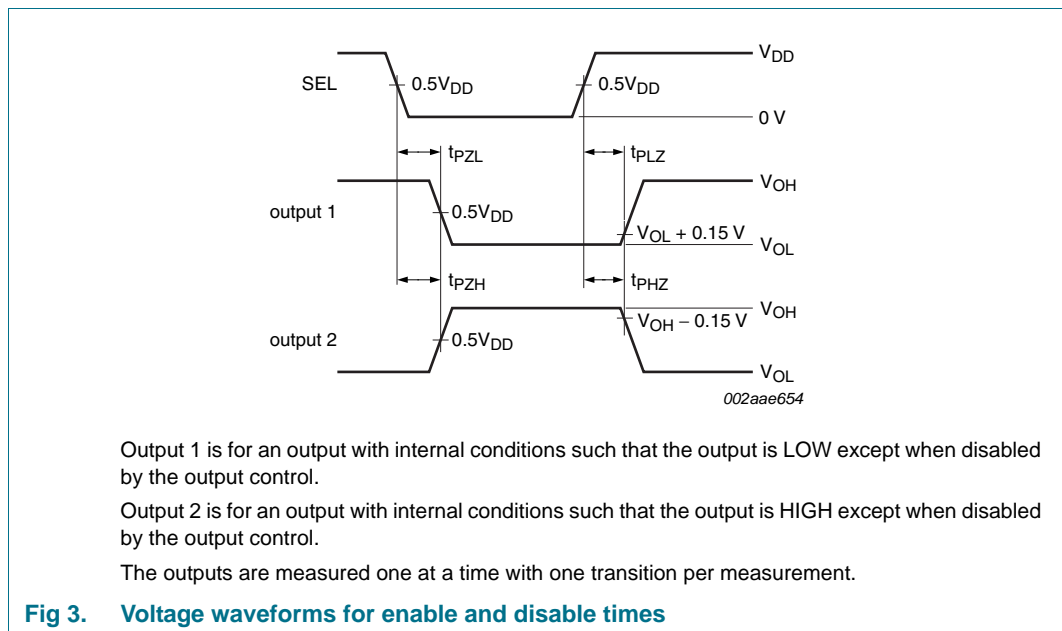
$V_{DD} = 1.8\text{ V} \pm 10\%$; $T_{amb} = -40\text{ }^{\circ}\text{C}$ to $+85\text{ }^{\circ}\text{C}$; unless otherwise specified.

Symbol	Parameter	Conditions	Min	Typ ^[1]	Max	Unit
α_{ct}	crosstalk attenuation	f = 3 GHz	-	-23	-	dB
		f = 100 MHz	-	-58	-	dB
$\alpha_{iso(off)}$	off-state isolation	f = 3 GHz	-	-23	-	dB
		f = 100 MHz	-	-58	-	dB
DDIL	differential insertion loss	f = 3 GHz	-	-2	-	dB
B_{-3dB}	-3 dB bandwidth		-	4.1	-	GHz
t_{PD}	propagation delay	from left-side port to right-side port, or vice versa	-	80	-	ps

Switching characteristics

t_{PZH}	OFF-state to HIGH propagation delay		-	-	8.0	ns
t_{PZL}	OFF-state to LOW propagation delay		-	-	8.0	ns
t_{PHZ}	HIGH to OFF-state propagation delay		-	-	8.0	ns
t_{PLZ}	LOW to OFF-state propagation delay		-	-	8.0	ns
$t_{sk(dif)}$	differential skew time	intra-pair	-	-	10	ps
t_{sk}	skew time	inter-pair	-	-	35	ps

[1] Typical values are at $V_{DD} = 1.8\text{ V}$; $T_{amb} = 25\text{ }^{\circ}\text{C}$, and maximum loading.



11. Test information

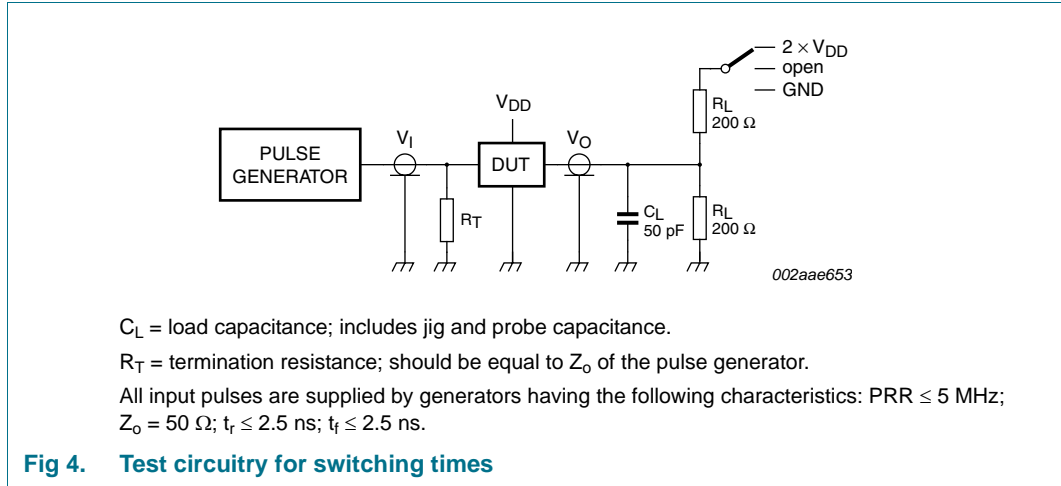


Fig 4. Test circuitry for switching times

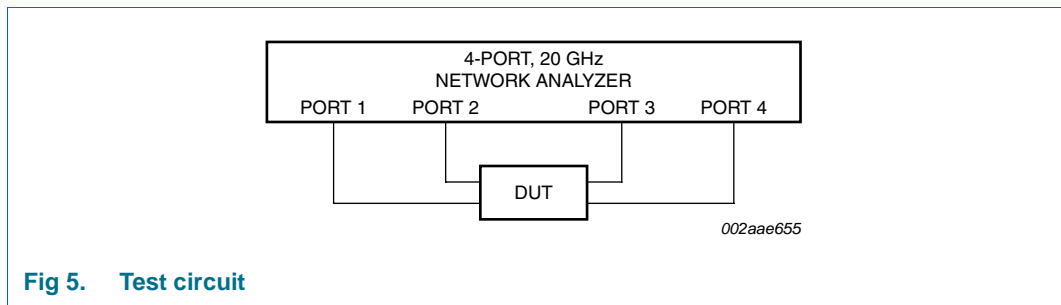


Fig 5. Test circuit

Table 7. Test data

Test	Load		Switch
	C_L	R_L	
t_{PLZ} , t_{PZL} (output on B side)	50 pF	200 Ω	$2 \times V_{DD}$
t_{PHZ} , t_{PZH} (output on B side)	50 pF	200 Ω	GND
t_{PD}	50 pF	200 Ω	open

12. Package outline

HVQFN42: plastic thermal enhanced very thin quad flat package; no leads; 42 terminals; body 3.5 x 9 x 0.85 mm

SOT1144-1

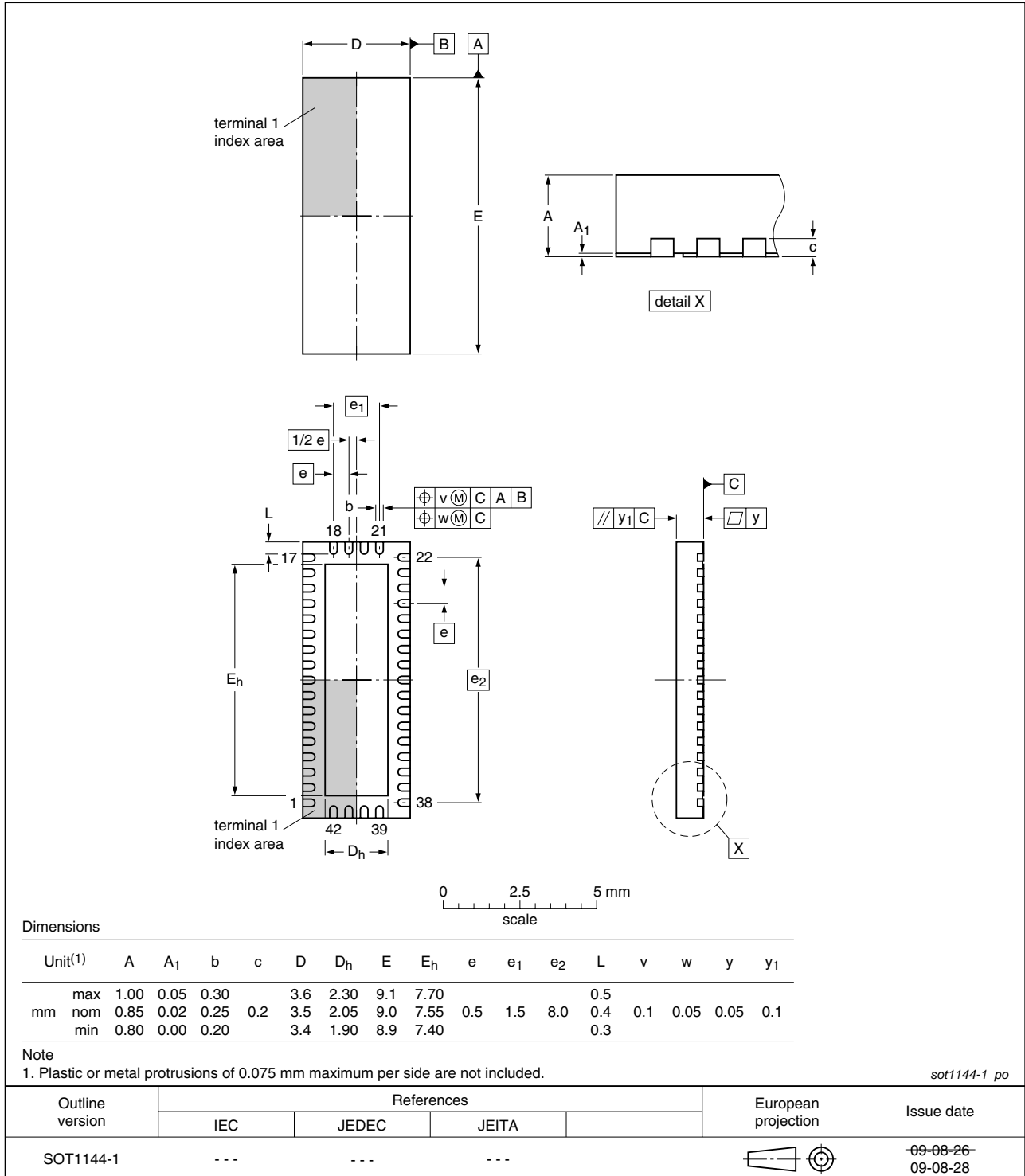


Fig 6. Package outline SOT1144-1 (HVQFN42)

13. Soldering of SMD packages

This text provides a very brief insight into a complex technology. A more in-depth account of soldering ICs can be found in Application Note *AN10365 "Surface mount reflow soldering description"*.

13.1 Introduction to soldering

Soldering is one of the most common methods through which packages are attached to Printed Circuit Boards (PCBs), to form electrical circuits. The soldered joint provides both the mechanical and the electrical connection. There is no single soldering method that is ideal for all IC packages. Wave soldering is often preferred when through-hole and Surface Mount Devices (SMDs) are mixed on one printed wiring board; however, it is not suitable for fine pitch SMDs. Reflow soldering is ideal for the small pitches and high densities that come with increased miniaturization.

13.2 Wave and reflow soldering

Wave soldering is a joining technology in which the joints are made by solder coming from a standing wave of liquid solder. The wave soldering process is suitable for the following:

- Through-hole components
- Leaded or leadless SMDs, which are glued to the surface of the printed circuit board

Not all SMDs can be wave soldered. Packages with solder balls, and some leadless packages which have solder lands underneath the body, cannot be wave soldered. Also, leaded SMDs with leads having a pitch smaller than ~0.6 mm cannot be wave soldered, due to an increased probability of bridging.

The reflow soldering process involves applying solder paste to a board, followed by component placement and exposure to a temperature profile. Leaded packages, packages with solder balls, and leadless packages are all reflow solderable.

Key characteristics in both wave and reflow soldering are:

- Board specifications, including the board finish, solder masks and vias
- Package footprints, including solder thieves and orientation
- The moisture sensitivity level of the packages
- Package placement
- Inspection and repair
- Lead-free soldering versus SnPb soldering

13.3 Wave soldering

Key characteristics in wave soldering are:

- Process issues, such as application of adhesive and flux, clinching of leads, board transport, the solder wave parameters, and the time during which components are exposed to the wave
- Solder bath specifications, including temperature and impurities

13.4 Reflow soldering

Key characteristics in reflow soldering are:

- Lead-free versus SnPb soldering; note that a lead-free reflow process usually leads to higher minimum peak temperatures (see [Figure 7](#)) than a SnPb process, thus reducing the process window
- Solder paste printing issues including smearing, release, and adjusting the process window for a mix of large and small components on one board
- Reflow temperature profile; this profile includes preheat, reflow (in which the board is heated to the peak temperature) and cooling down. It is imperative that the peak temperature is high enough for the solder to make reliable solder joints (a solder paste characteristic). In addition, the peak temperature must be low enough that the packages and/or boards are not damaged. The peak temperature of the package depends on package thickness and volume and is classified in accordance with [Table 8](#) and [9](#)

Table 8. SnPb eutectic process (from J-STD-020C)

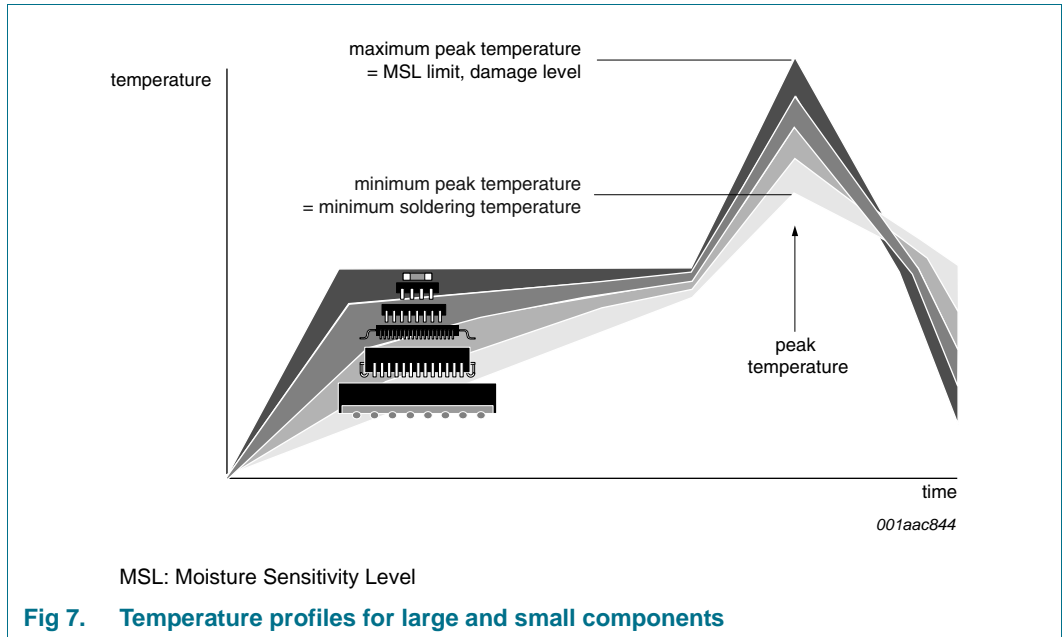
Package thickness (mm)	Package reflow temperature (°C)	
	Volume (mm ³)	
	< 350	≥ 350
< 2.5	235	220
≥ 2.5	220	220

Table 9. Lead-free process (from J-STD-020C)

Package thickness (mm)	Package reflow temperature (°C)		
	Volume (mm ³)		
	< 350	350 to 2000	> 2000
< 1.6	260	260	260
1.6 to 2.5	260	250	245
> 2.5	250	245	245

Moisture sensitivity precautions, as indicated on the packing, must be respected at all times.

Studies have shown that small packages reach higher temperatures during reflow soldering, see [Figure 7](#).



For further information on temperature profiles, refer to Application Note AN10365 “Surface mount reflow soldering description”.

14. Abbreviations

Table 10. Abbreviations

Acronym	Description
CDM	Charged-Device Model
DUT	Device Under Test
ESD	ElectroStatic Discharge
HBM	Human Body Model
I/O	Input/Output
LVDS	Low-Voltage Differential Signalling
PCI	Peripheral Component Interconnect
PCIe	PCI Express
PRR	Pulse Repetition Rate
SATA	Serial Advanced Technology Attachment
USB	Universal Serial Bus

15. Revision history

Table 11. Revision history

Document ID	Release date	Data sheet status	Change notice	Supersedes
CBTU04082 v2	20100713	Product data sheet	-	CBTU04082 v1
Modifications:	<ul style="list-style-type: none"> • Section 2 "Features and benefits", third sub-bullet: changed from "7 ps maximum" to "10 ps maximum" • Section 3 "Applications": deleted third sub-bullet "USB 3.0" • Table 5 "Static characteristics": V_{IL} Max value changed from "0.35V_{DD}" to "0.15V_{DD}" • Table 6 "Dynamic characteristics": t_{PD} Typ value changed from "180 ps" to "80 ps" 			
CBTU04082 v1	20100215	Product data sheet	-	-

16. Legal information

16.1 Data sheet status

Document status ^{[1][2]}	Product status ^[3]	Definition
Objective [short] data sheet	Development	This document contains data from the objective specification for product development.
Preliminary [short] data sheet	Qualification	This document contains data from the preliminary specification.
Product [short] data sheet	Production	This document contains the product specification.

[1] Please consult the most recently issued document before initiating or completing a design.

[2] The term 'short data sheet' is explained in section "Definitions".

[3] The product status of device(s) described in this document may have changed since this document was published and may differ in case of multiple devices. The latest product status information is available on the Internet at URL <http://www.nxp.com>.

16.2 Definitions

Draft — The document is a draft version only. The content is still under internal review and subject to formal approval, which may result in modifications or additions. NXP Semiconductors does not give any representations or warranties as to the accuracy or completeness of information included herein and shall have no liability for the consequences of use of such information.

Short data sheet — A short data sheet is an extract from a full data sheet with the same product type number(s) and title. A short data sheet is intended for quick reference only and should not be relied upon to contain detailed and full information. For detailed and full information see the relevant full data sheet, which is available on request via the local NXP Semiconductors sales office. In case of any inconsistency or conflict with the short data sheet, the full data sheet shall prevail.

Product specification — The information and data provided in a Product data sheet shall define the specification of the product as agreed between NXP Semiconductors and its customer, unless NXP Semiconductors and customer have explicitly agreed otherwise in writing. In no event however, shall an agreement be valid in which the NXP Semiconductors product is deemed to offer functions and qualities beyond those described in the Product data sheet.

16.3 Disclaimers

Limited warranty and liability — Information in this document is believed to be accurate and reliable. However, NXP Semiconductors does not give any representations or warranties, expressed or implied, as to the accuracy or completeness of such information and shall have no liability for the consequences of use of such information.

In no event shall NXP Semiconductors be liable for any indirect, incidental, punitive, special or consequential damages (including - without limitation - lost profits, lost savings, business interruption, costs related to the removal or replacement of any products or rework charges) whether or not such damages are based on tort (including negligence), warranty, breach of contract or any other legal theory.

Notwithstanding any damages that customer might incur for any reason whatsoever, NXP Semiconductors' aggregate and cumulative liability towards customer for the products described herein shall be limited in accordance with the *Terms and conditions of commercial sale* of NXP Semiconductors.

Right to make changes — NXP Semiconductors reserves the right to make changes to information published in this document, including without limitation specifications and product descriptions, at any time and without notice. This document supersedes and replaces all information supplied prior to the publication hereof.

Suitability for use — NXP Semiconductors products are not designed, authorized or warranted to be suitable for use in life support, life-critical or safety-critical systems or equipment, nor in applications where failure or

malfunction of an NXP Semiconductors product can reasonably be expected to result in personal injury, death or severe property or environmental damage. NXP Semiconductors accepts no liability for inclusion and/or use of NXP Semiconductors products in such equipment or applications and therefore such inclusion and/or use is at the customer's own risk.

Applications — Applications that are described herein for any of these products are for illustrative purposes only. NXP Semiconductors makes no representation or warranty that such applications will be suitable for the specified use without further testing or modification.

Customers are responsible for the design and operation of their applications and products using NXP Semiconductors products, and NXP Semiconductors accepts no liability for any assistance with applications or customer product design. It is customer's sole responsibility to determine whether the NXP Semiconductors product is suitable and fit for the customer's applications and products planned, as well as for the planned application and use of customer's third party customer(s). Customers should provide appropriate design and operating safeguards to minimize the risks associated with their applications and products.

NXP Semiconductors does not accept any liability related to any default, damage, costs or problem which is based on any weakness or default in the customer's applications or products, or the application or use by customer's third party customer(s). Customer is responsible for doing all necessary testing for the customer's applications and products using NXP Semiconductors products in order to avoid a default of the applications and the products or of the application or use by customer's third party customer(s). NXP does not accept any liability in this respect.

Limiting values — Stress above one or more limiting values (as defined in the Absolute Maximum Ratings System of IEC 60134) will cause permanent damage to the device. Limiting values are stress ratings only and (proper) operation of the device at these or any other conditions above those given in the Recommended operating conditions section (if present) or the Characteristics sections of this document is not warranted. Constant or repeated exposure to limiting values will permanently and irreversibly affect the quality and reliability of the device.

Terms and conditions of commercial sale — NXP Semiconductors products are sold subject to the general terms and conditions of commercial sale, as published at <http://www.nxp.com/profile/terms>, unless otherwise agreed in a valid written individual agreement. In case an individual agreement is concluded only the terms and conditions of the respective agreement shall apply. NXP Semiconductors hereby expressly objects to applying the customer's general terms and conditions with regard to the purchase of NXP Semiconductors products by customer.

No offer to sell or license — Nothing in this document may be interpreted or construed as an offer to sell products that is open for acceptance or the grant, conveyance or implication of any license under any copyrights, patents or other industrial or intellectual property rights.

Export control — This document as well as the item(s) described herein may be subject to export control regulations. Export might require a prior authorization from national authorities.

Non-automotive qualified products — Unless this data sheet expressly states that this specific NXP Semiconductors product is automotive qualified, the product is not suitable for automotive use. It is neither qualified nor tested in accordance with automotive testing or application requirements. NXP Semiconductors accepts no liability for inclusion and/or use of non-automotive qualified products in automotive equipment or applications.

In the event that customer uses the product for design-in and use in automotive applications to automotive specifications and standards, customer (a) shall use the product without NXP Semiconductors' warranty of the product for such automotive applications, use and specifications, and (b) whenever customer uses the product for automotive applications beyond

NXP Semiconductors' specifications such use shall be solely at customer's own risk, and (c) customer fully indemnifies NXP Semiconductors for any liability, damages or failed product claims resulting from customer design and use of the product for automotive applications beyond NXP Semiconductors' standard warranty and NXP Semiconductors' product specifications.

16.4 Trademarks

Notice: All referenced brands, product names, service names and trademarks are the property of their respective owners.

17. Contact information

For more information, please visit: <http://www.nxp.com>

For sales office addresses, please send an email to: salesaddresses@nxp.com

18. Contents

1	General description	1
2	Features and benefits	1
3	Applications	1
4	Ordering information	2
5	Functional diagram	2
6	Pinning information	3
6.1	Pinning	3
6.2	Pin description	4
7	Functional description	5
7.1	Function selection	5
8	Limiting values	5
9	Static characteristics	5
10	Dynamic characteristics	6
11	Test information	7
12	Package outline	8
13	Soldering of SMD packages	9
13.1	Introduction to soldering	9
13.2	Wave and reflow soldering	9
13.3	Wave soldering	9
13.4	Reflow soldering	10
14	Abbreviations	11
15	Revision history	12
16	Legal information	13
16.1	Data sheet status	13
16.2	Definitions	13
16.3	Disclaimers	13
16.4	Trademarks	14
17	Contact information	14
18	Contents	15

Please be aware that important notices concerning this document and the product(s) described herein, have been included in section 'Legal information'.

© NXP B.V. 2010.

All rights reserved.

For more information, please visit: <http://www.nxp.com>

For sales office addresses, please send an email to: salesaddresses@nxp.com

Date of release: 13 July 2010

Document identifier: CBTU04082