



## FSAV330 — 4-Channel, 2:1 Video Switch

### Features

- Replacement for the P15V330
- Wide Bandwidth: 300MHz
- 4Ω Switch Connection between Two Ports
- Minimal Propagation Delay through the Switch
- Low I<sub>cc</sub>
- Zero Bounce in Flow-through Mode
- Control Inputs Compatible with TTL Level

### Description

The FSAV330 video switch is a quad, single-pole / double-throw, high-speed CMOS TTL-compatible video switch. The low on resistance of the switch allows inputs to be connected to outputs without adding propagation delay or generating additional ground bounce noise.


When /OE is LOW, the select pin connects the A port to the selected B port output. When /OE is HIGH, the switch is OPEN and a high-impedance state exists between the two ports.

### Applications

- Set-top Boxes
- Flat Panel Displays
- CRT Displays
- DVD - RW

### Ordering Information

| Part Number | Operating Temperature Range | Package   | Packing Method |
|-------------|-----------------------------|---|----------------|
| FSAV330M    | -40 to +85°C                | 16-Lead, Small Outline Integrated Circuit (SOIC), JEDEC MS-012, 0.150 inch Narrow | Tube           |
| FSAV330MX   | -40 to +85°C                | 16-Lead, Small Outline Integrated Circuit (SOIC), JEDEC MS-012, 0.150 inch Narrow | Tape and Reel  |
| FSAV330MTC  | -40 to +85°C                | 16-Lead, Thin Shrink Small Outline Package (TSSOP), JEDEC MO-153, 4.4mm Wide      | Tube           |
| FSAV330MTCX | -40 to +85°C                | 16-, Thin Shrink Small Outline Package (TSSOP), JEDEC MO-153, 4.4mm Wide          | Tape and Reel  |
| FSAV330QSC  | -40 to +85°C                | 16-Lead, Quarter Size Outline Package (QSOP), JEDEC MO-137, 0.150 inch Wide       | Tube           |
| FSAV330QSCX | -40 to +85°C                | 16-Lead, Quarter Size Outline Package (QSOP), JEDEC MO-137, 0.150 inch Wide       | Tape and Reel  |

 All packages are lead free per JEDEC: J-STD-020B standard.

The Fairchild switch family derives from and embodies Fairchild's proven switch technology used for several years in its 74LVX3L384 (FST3384) bus switch product.

## Pin Configurations

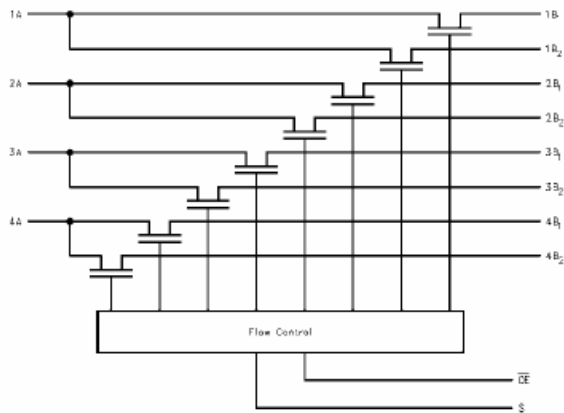


Figure 1. Logic Diagram

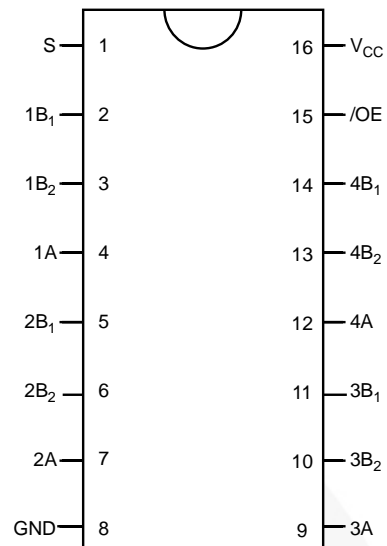


Figure 2. Pin Assignments

## Pin Descriptions

| Pin #               | Pin Types                      | Description        |
|---------------------|--------------------------------|--------------------|
| 15                  | /OE                            | Bus Switch Enabled |
| 1                   | S                              | Select Input       |
| 4,7,9,12            | A                              | Bus A              |
| 2,3,5,6,10,11,13,14 | B <sub>1</sub> -B <sub>2</sub> | Bus B              |
| 8                   | GND                            | Ground             |
| 16                  | V <sub>CC</sub>                | Supply Voltage     |

## Truth Table

| S          | /OE  | Function         |
|------------|------|------------------|
| Don't Care | HIGH | Disconnected     |
| LOW        | LOW  | A=B <sub>1</sub> |
| HIGH       | LOW  | A=B <sub>2</sub> |

## Absolute Maximum Ratings

Stresses exceeding the absolute maximum ratings may damage the device. The device may not function or be operable above the recommended operating conditions and stressing the parts to these levels is not recommended. In addition, extended exposure to stresses above the recommended operating conditions may affect device reliability. The absolute maximum ratings are stress ratings only.

| Symbol           | Parameter                       | Min. | Max. | Unit |
|------------------|---------------------------------|------|------|------|
| $V_{CC}$         | Supply Voltage                  | -0.5 | +7.0 | V    |
| $V_S$            | DC Switch Voltage               | -0.5 | +7.0 | V    |
| $V_{IN}$         | DC Input Voltage <sup>(1)</sup> | -0.5 | +7.0 | V    |
| $I_{IK}$         | DC Input Diode Current          | -50  |      | mA   |
| $I_{OUT}$        | DC Output Sink Current          |      | 128  | mA   |
| $I_{CC}/I_{GND}$ | DC $V_{CC}$ / GND Current       |      | ±100 | mA   |
| $T_{STG}$        | Storage Temperature Range       | -65  | +150 | °C   |
| ESD              | Human Body Model, JESD22-A114   |      | 4000 | V    |

**Note:**

- The input and output negative voltage ratings may be exceeded if the input and output diode current ratings are observed.

## Recommended Operating Conditions

The Recommended Operating Conditions table defines the conditions for actual device operation. Recommended operating conditions are specified to ensure optimal performance to the datasheet specifications. Fairchild does not recommend exceeding them or designing to Absolute Maximum Ratings.

| Symbol     | Parameter                       |                      | Min. | Max. | Unit |
|------------|---------------------------------|----------------------|------|------|------|
| $V_{CC}$   | Power Supply                    |                      | 4.0  | 5.5  | V    |
| $V_{IN}$   | Input Voltage                   |                      | 0    | 5.5  | V    |
| $V_{OUT}$  | Output Voltage                  |                      | 0    | 5.5  | V    |
| $t_r, t_f$ | Input Rise and Fall Time        | Switch Control Input | 0    | 5    | ns/V |
|            |                                 | Switch I/O           | 0    | DC   |      |
| $T_A$      | Operating Temperature, Free Air |                      | -40  | +85  | °C   |

**Note:**

- Unused control inputs must be held HIGH or LOW; they may not float.

## DC Electrical Characteristics

Typical values are at  $V_{CC}=5.0V$  and  $T_A=+25^{\circ}C$ . Minimum and maximum values are at  $T_A=-40$  to  $+85^{\circ}C$ .

| Symbol          | Parameter                           | Conditions   | $V_{CC}$ (V) | Min. | Typ. | Max.      | Units    |
|-----------------|-------------------------------------|--|--------------|------|------|-----------|----------|
| $V_{ANALOG}$    | Analog Signal Range                 |  | 5            | 0    |      | 2         | V        |
| $V_{IK}$        | Clamp Diode Voltage                 | $I_{IN}=-18mA$                                       | 4.5          |      |      | -1.2      | V        |
| $V_{IH}$        | High-Level Input Voltage            |  | 4.0 to 5.5   | 2.0  |      |           | V        |
| $V_{IL}$        | Low-Level Input Voltage             |  | 4.0 to 5.5   |      |      | 0.8       | V        |
| $I_I$           | Input Leakage Current               | $0 \leq V_{IN} \leq 5.5V$                            | 5.5          |      |      | $\pm 1.0$ | $\mu A$  |
| $I_{OZ}$        | Off-state Leakage Current           | $0 \leq A, B \leq V_{CC}$                            | 5.5          |      |      | $\pm 1.0$ | $\mu A$  |
| $R_{ON}$        | Switch On Resistance <sup>(3)</sup> | $V_{IN}=1.0V, R_I=75\Omega, I_{ON}=13mA$             | 4.5          |      | 3    | 7         | $\Omega$ |
|                 |                                     | $V_{IN}=2.0V, R_I=75\Omega, I_{ON}=26mA$             | 4.5          |      | 7    | 10        |          |
| $I_{CC}$        | Quiescent Supply Current            | $V_{IN}=V_{CC}$ or GND, $I_{OUT}=0$                  | 5.5          |      |      | 3         | $\mu A$  |
| $\Delta I_{CC}$ | Increase in $I_{CC}$ per Input      | One Input at 3.4V<br>Other Inputs at $V_{CC}$ or GND | 5.5          |      |      | 2.5       | mA       |

### Note:

3. Measured by the voltage drop between the A and B pins at the indicated current through the switch. On resistance is determined by the lower of the voltages on the A or B pins.

## AC Electrical Characteristics

$T_A=-40$  to  $+85^{\circ}C$ ,  $C_L=50pF$ ,  $R_U=R_D=500\Omega$ .

| Symbol             | Parameter   | Conditions   | $V_{CC}=4.5 - 5.5V$ |      |      | $V_{CC}=4.0V$ |      | Units      | Figure               |
|--------------------|---|--|---------------------|------|------|---------------|------|------------|----------------------|
|                    |   |  | Min.                | Typ. | Max. | Min.          | Max. |            |                      |
| $t_{PZH}, t_{PZL}$ | Output Enable Time, Select to Bus B                     | $V_I=7V$ for $t_{PZL}$<br>$V_I=Open$ for $t_{PZH}$ |                     |      | 5.2  |               | 5.7  | ns         | Figure 3<br>Figure 4 |
|                    | Output Enable Time, /OE to Bus A, B                     |  |                     |      | 5.1  |               | 5.6  |            |                      |
| $t_{PHZ}, t_{PLZ}$ | Output Disable Time, Select to Bus B                    | $V_I=7V$ for $t_{PLZ}$<br>$V_I=Open$ for $t_{PHZ}$ |                     |      | 5.2  |               | 5.5  | ns         | Figure 3<br>Figure 4 |
|                    | Output Disable Time, Output Enable Time /OE to Bus A, B |  |                     |      | 5.5  |               | 5.5  |            |                      |
| $BW$               | -3dB Bandwidth <sup>(4)</sup>                           | $R_L=150\Omega, T_A=25^{\circ}C$                   | 300                 |      |      |               |      | MHz        |                      |
| $X_{TALK}$         | Crosstalk   | $R_{IN}=10\Omega,$<br>$R_L=150\Omega, f=10MHz$     |                     | -58  |      |               |      | dB         |                      |
| $D_G$              | Differential Gain                                       | $R_L=150\Omega,$<br>$f=3.58MHz$                    |                     | 0.64 |      |               |      | %          |                      |
| $D_P$              | Differential Phase                                      | $R_L=150\Omega,$<br>$f=3.58MHz$                    |                     | 0.1  |      |               |      | $^{\circ}$ |                      |
| $O_{IRR}$          | Off Isolation   | $R_L=150\Omega, f=10MHz$                           |                     | -60  |      |               |      | dB         |                      |

### Note:

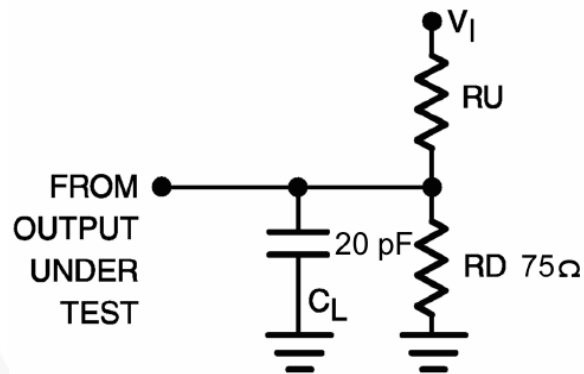
4. This parameter is guaranteed by device characterization, not production tested.

## Capacitance

$T_A=+25^{\circ}C$ ,  $f=1MHz$ . Capacitance is characterized, not production tested.

| Symbol    | Parameter                     | Conditions            | Typ. | Units |
|-----------|-------------------------------|-----------------------|------|-------|
| $C_{IN}$  | Control Pin Input Capacitance | $V_{CC}=5.0V$         | 3    | pF    |
| $C_{I/O}$ | A Port                        | $V_{CC}, /OE=5.0V$    | 7    | pF    |
|           | B Port                        |                       | 5    |       |
| $C_{ON}$  | Switch On Capacitance         | $V_{CC}=5.0V, /OE=0V$ | 12   | pF    |

## AC Loadings and Waveforms



Notes: Input drive by  $50\Omega$  source terminated in  $50\Omega$ .  
 $C_L$  includes load and stray capacitance.  
 Input PRR=1.0MHz,  $t_w=500\text{ns}$ .

Figure 3. Figure Caption

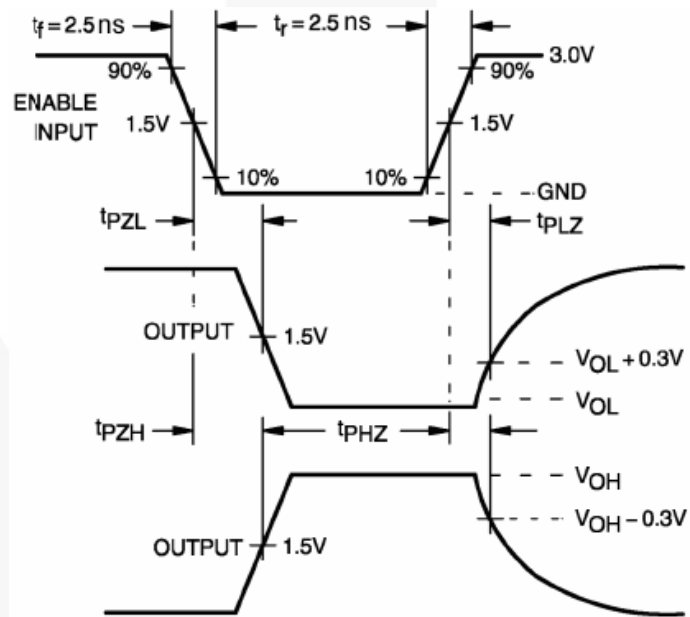
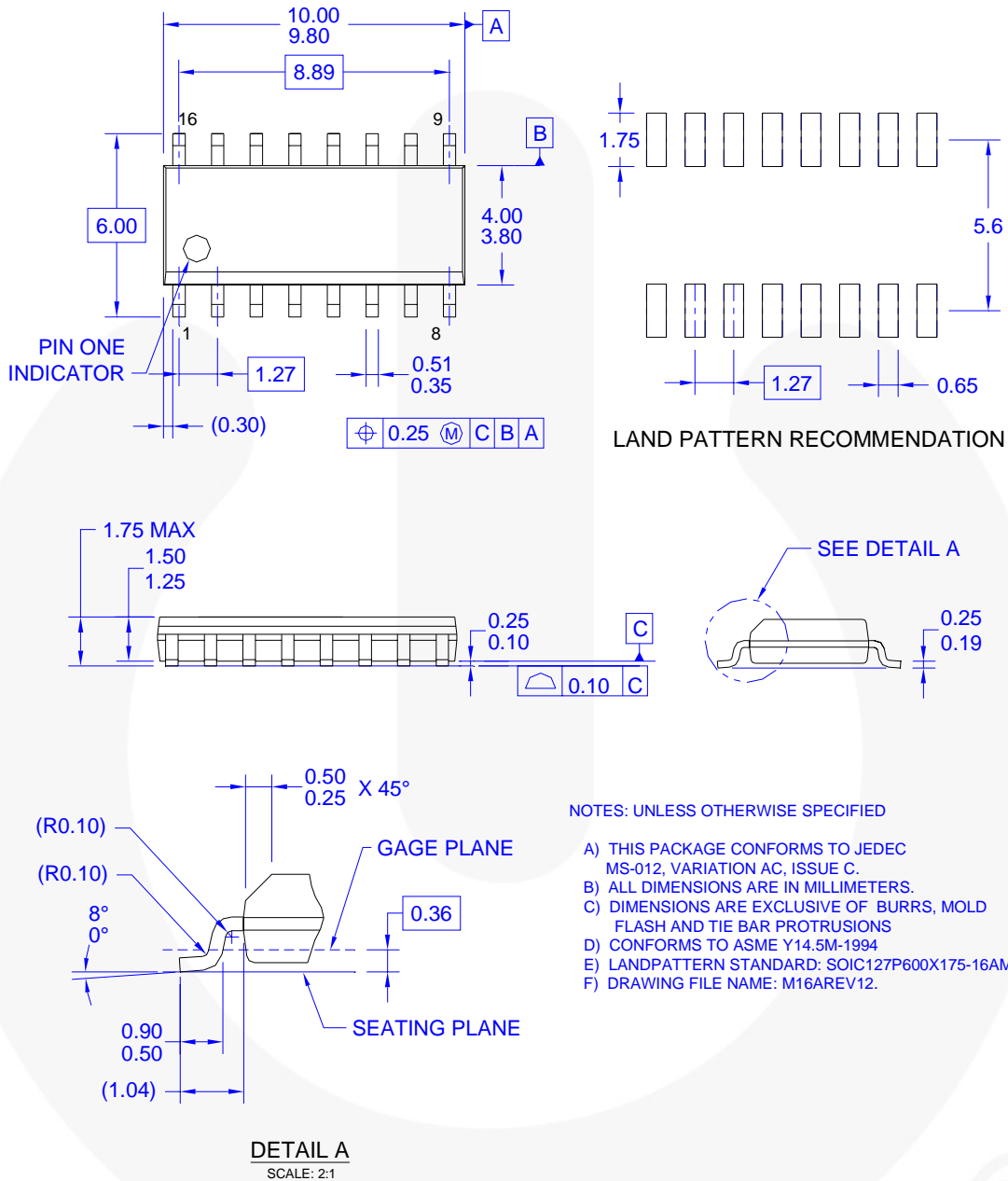


Figure 4. AC Waveforms

## Physical Dimensions

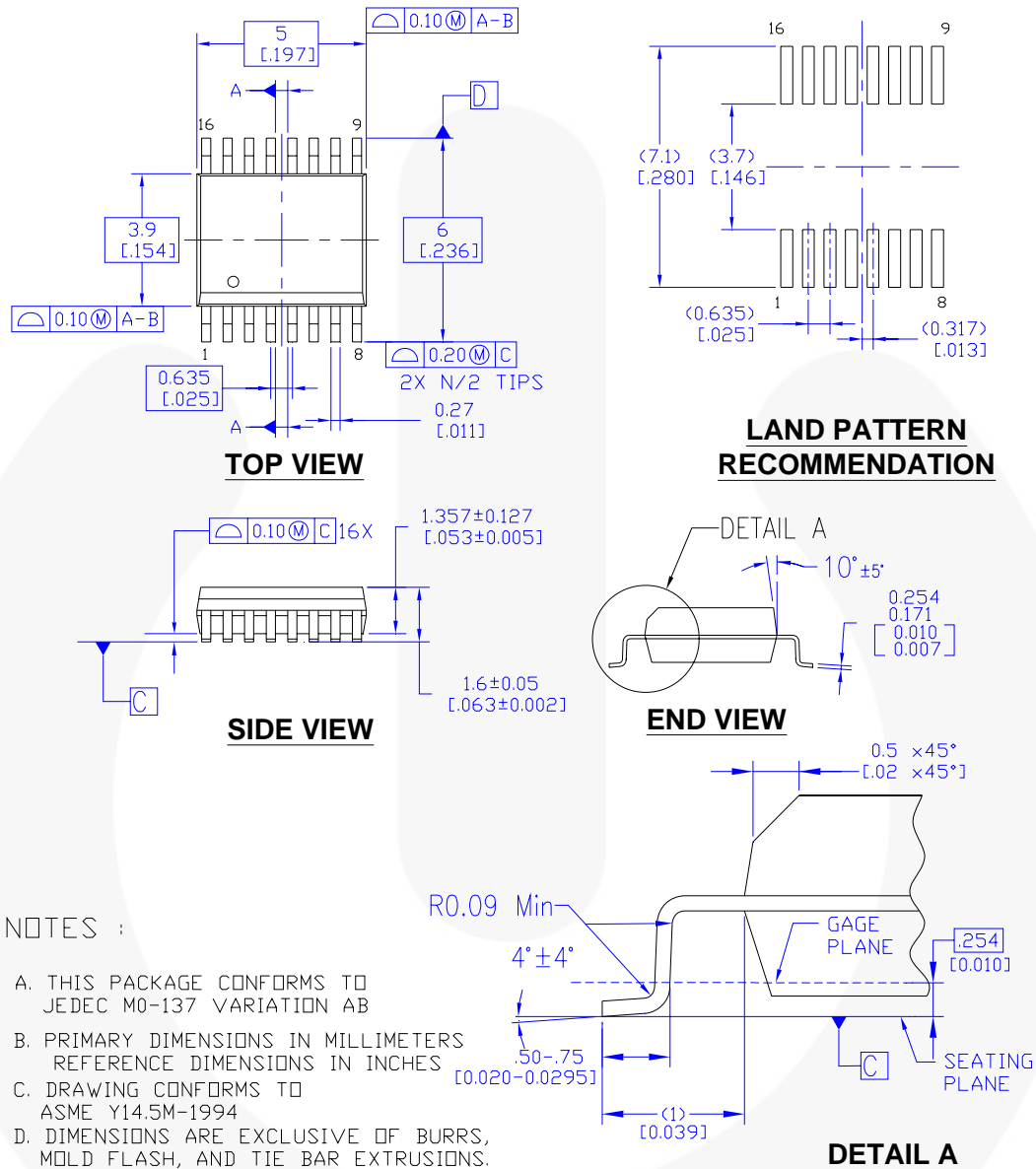


**Figure 5. 16-Lead, Small Outline Integrated Circuit (SOIC), JEDEC MS-012, 0.150-inch Narrow**

Package drawings are provided as a service to customers considering Fairchild components. Drawings may change in any manner without notice. Please note the revision and/or date on the drawing and contact a Fairchild Semiconductor representative to verify or obtain the most recent revision. Package specifications do not expand the terms of Fairchild's worldwide terms and conditions, specifically the warranty therein, which covers Fairchild products.

Always visit Fairchild Semiconductor's online packaging area for the most recent package drawings:  
<http://www.fairchildsemi.com/packaging/>

## Physical Dimensions



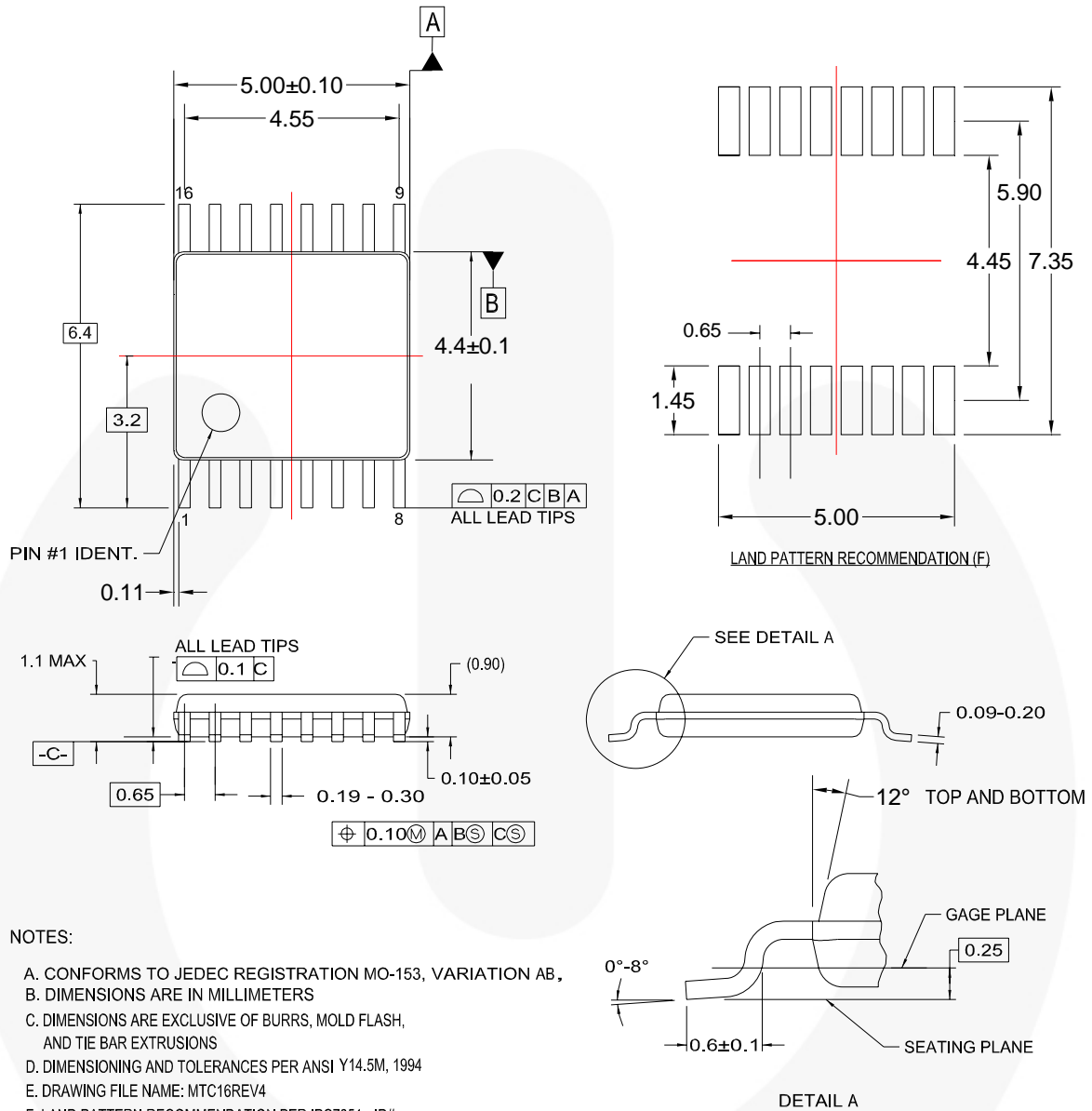
MQA16AREVB

**Figure 6. 16-Lead, Quarter Size Outline Package (QSOP), JEDEC MO-137, 0.150-inch Wide**

Package drawings are provided as a service to customers considering Fairchild components. Drawings may change in any manner without notice. Please note the revision and/or date on the drawing and contact a Fairchild Semiconductor representative to verify or obtain the most recent revision. Package specifications do not expand the terms of Fairchild's worldwide terms and conditions, specifically the warranty therein, which covers Fairchild products.

Always visit Fairchild Semiconductor's online packaging area for the most recent package drawings:  
<http://www.fairchildsemi.com/packaging/>

## Physical Dimensions



MTC16rev4

**Figure 7. 16-Lead, Thin Shrink Small Outline Package (TSSOP), JEDEC MO-153, 4.4mm Wide**

Package drawings are provided as a service to customers considering Fairchild components. Drawings may change in any manner without notice. Please note the revision and/or date on the drawing and contact a Fairchild Semiconductor representative to verify or obtain the most recent revision. Package specifications do not expand the terms of Fairchild's worldwide terms and conditions, specifically the warranty therein, which covers Fairchild products.

Always visit Fairchild Semiconductor's online packaging area for the most recent package drawings:  
<http://www.fairchildsemi.com/packaging/>





**TRADEMARKS**

The following includes registered and unregistered trademarks and service marks, owned by Fairchild Semiconductor and/or its global subsidiaries, and is not intended to be an exhaustive list of all such trademarks.

- |   |   |   |   |
|---|---|---|---|
| ACEx <sup>®</sup>   | FPST <sup>™</sup>                             | PDP SPM <sup>™</sup>  | The Power Franchise <sup>®</sup>  |
| Build it Now <sup>™</sup>   | F-PFS <sup>™</sup>                            | Power-SPM <sup>™</sup>  |  |
| CorePLUS <sup>™</sup>   | FRFET <sup>®</sup>                            | PowerTrench <sup>®</sup>  | TinyBoost <sup>™</sup>  |
| CorePOWER <sup>™</sup>  | Global Power Resource <sup>SM</sup>           | Programmable Active Droop <sup>™</sup>  | TinyBuck <sup>™</sup>   |
| CROSSVOLT <sup>™</sup>  | Green FPST <sup>™</sup>                       | QFET <sup>®</sup>   | TinyLogic <sup>®</sup>  |
| CTL <sup>™</sup>  | Green FPST <sup>™</sup> e-Series <sup>™</sup> | QST <sup>™</sup>  | TINYOPTO <sup>™</sup>   |
| Current Transfer Logic <sup>™</sup>   | GTO <sup>™</sup>                              | Quiet Series <sup>™</sup>   | TinyPower <sup>™</sup>  |
| EcoSPARK <sup>®</sup>   | IntelliMAX <sup>™</sup>                       | RapidConfigure <sup>™</sup>   | TinyPWM <sup>™</sup>  |
| EfficientMax <sup>™</sup>   | ISOPLANAR <sup>™</sup>                        | Saving our world, 1mW at a time <sup>™</sup>                                      | TinyWire <sup>™</sup>   |
| EZSWITCH <sup>™</sup> *   | MegaBuck <sup>™</sup>                         | SmartMax <sup>™</sup>   | μSerDes <sup>™</sup>  |
|  | MICROCOUPLER <sup>™</sup>                     | SMART START <sup>™</sup>  |  |
|  | MicroFET <sup>™</sup>                         | SPM <sup>®</sup>  | UHC <sup>®</sup>  |
| Fairchild <sup>®</sup>  | MicroPak <sup>™</sup>                         | STEALTH <sup>™</sup>  | Ultra FRFET <sup>™</sup>  |
| Fairchild Semiconductor <sup>®</sup>  | MillerDrive <sup>™</sup>                      | SuperFET <sup>™</sup>   | UniFET <sup>™</sup>   |
| FACT Quiet Series <sup>™</sup>  | MotionMax <sup>™</sup>                        | SuperSOT <sup>™</sup> -3  | VCX <sup>™</sup>  |
| FACT <sup>®</sup>   | Motion-SPM <sup>™</sup>                       | SuperSOT <sup>™</sup> -6  | VisualMax <sup>™</sup>  |
| FAST <sup>®</sup>   | OPTOLOGIC <sup>®</sup>                        | SuperSOT <sup>™</sup> -8  |   |
| FastvCore <sup>™</sup>  | OPTOPLANAR <sup>®</sup>                       | SupreMOS <sup>™</sup>   |   |
| FlashWriter <sup>®</sup> *  |   | SyncFET <sup>™</sup>  |   |
|   |   |  |   |

\* EZSWITCH<sup>™</sup> and FlashWriter<sup>®</sup> are trademarks of System General Corporation, used under license by Fairchild Semiconductor.

**DISCLAIMER**

FAIRCHILD SEMICONDUCTOR RESERVES THE RIGHT TO MAKE CHANGES WITHOUT FURTHER NOTICE TO ANY PRODUCTS HEREIN TO IMPROVE RELIABILITY, FUNCTION, OR DESIGN. FAIRCHILD DOES NOT ASSUME ANY LIABILITY ARISING OUT OF THE APPLICATION OR USE OF ANY PRODUCT OR CIRCUIT DESCRIBED HEREIN; NEITHER DOES IT CONVEY ANY LICENSE UNDER ITS PATENT RIGHTS, NOR THE RIGHTS OF OTHERS. THESE SPECIFICATIONS DO NOT EXPAND THE TERMS OF FAIRCHILD'S WORLDWIDE TERMS AND CONDITIONS, SPECIFICALLY THE WARRANTY THEREIN, WHICH COVERS THESE PRODUCTS.

**LIFE SUPPORT POLICY**

FAIRCHILD'S PRODUCTS ARE NOT AUTHORIZED FOR USE AS CRITICAL COMPONENTS IN LIFE SUPPORT DEVICES OR SYSTEMS WITHOUT THE EXPRESS WRITTEN APPROVAL OF FAIRCHILD SEMICONDUCTOR CORPORATION.

As used herein:

1. Life support devices or systems are devices or systems which, (a) are intended for surgical implant into the body or (b) support or sustain life, and (c) whose failure to perform when properly used in accordance with instructions for use provided in the labeling, can be reasonably expected to result in a significant injury of the user.
2. A critical component in any component of a life support, device, or system whose failure to perform can be reasonably expected to cause the failure of the life support device or system, or to affect its safety or effectiveness.

**PRODUCT STATUS DEFINITIONS**

**Definition of Terms**

| Datasheet Identification | Product Status        | Definition   |
|--------------------------|-----------------------|--|
| Advance Information      | Formative / In Design | This datasheet contains the design specifications for product development. Specifications may change in any manner without notice.   |
| Preliminary              | First Production      | This datasheet contains preliminary data; supplementary data will be published at a later date. Fairchild Semiconductor reserves the right to make changes at any time without notice to improve design. |
| No Identification Needed | Full Production       | This datasheet contains final specifications. Fairchild Semiconductor reserves the right to make changes at any time without notice to improve the design.   |
| Obsolete                 | Not In Production     | This datasheet contains specifications on a product that is discontinued by Fairchild Semiconductor. The datasheet is for reference information only.  |

Rev. I34