

**PI3USB4002A**

**Ultra-High Voltage Protection USB2 SPST Switch**

**Features**

- Differential Bi-Directional SPST Switch
- Wide Input Voltage Range: 0-5.5V
- Wide bandwidth: 1GHz
- Ultra-low Con: 7pF
- Ultra-low Ron: 5Ω (typ)
- Low Propagation Delay, 0.25ns typ
- Low Off-Isolation, -30dB@240MHz
- Low Crosstalk: -35dB@240MHz,
- Low Power Consumption: 35μA typical
- Wide Supply Voltage 2.7-5.5V
- Protection Feature
  - ◆ Off-protection for current leakage in power-down mode
  - ◆ All I/O pins are high voltage tolerance
    - C0+/C0- tolerance to 24V
    - L0+/- tolerance to 6V
    - V<sub>DD</sub> tolerance to 6V
  - ◆ Over-voltage protection when V<sub>bus</sub> short to C0-/C0+ when device is power-on and enabled
- ESD Protection on (C0+/-)
  - ◆ IEC61000-4-2, 10kV
- Wide Temperature Range: -40°C to 85°C
- Totally Lead-Free & Fully RoHS Compliant (Notes 1 & 2)
- Halogen and Antimony Free. “Green” Device (Note 3)
- For automotive applications requiring specific change control (i.e. parts qualified to AEC-Q100/101/200, PPAP capable, and manufactured in IATF 16949 certified facilities), please [contact us](mailto:contact@diodes.com) or your local Diodes representative. <https://www.diodes.com/quality/product-definitions/>
- Packaging (Pb-free & Green):
  - ◆ 10-contact, UQFN (ZUA), 1.5x2mm, 0.5mm(H), 0.6mm pitch

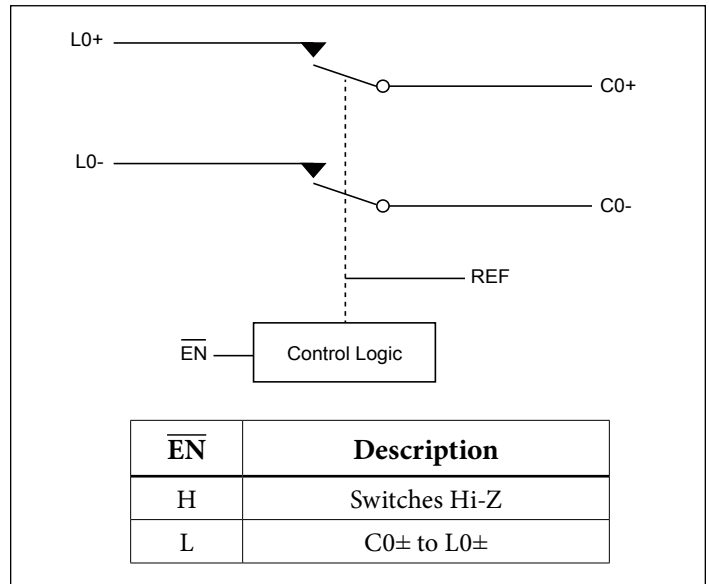
**Description**

The PI3USB4002A is a High voltage short and surge protector. C0+/C0- pins can tolerate voltages up to 24V. Over-voltage protection (OVP) is implemented at 4.75V to immediately switch off the channels when over-voltage condition is detected. PI3USB4002A can pass USB2.0 signal with bandwidth 1GHz to maintain signal integrity and eye diagram open.

**Applications**

- Smart Phone, USB-C Application, Tablets, NB, PC

**Block Diagram**

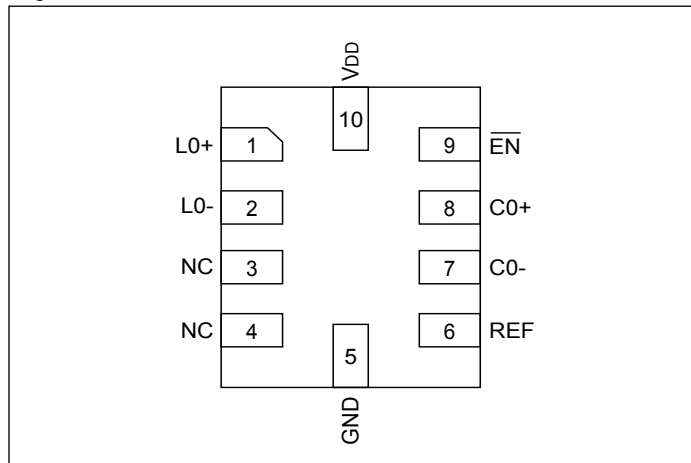


**Notes:**

1. No purposely added lead. Fully EU Directive 2002/95/EC (RoHS), 2011/65/EU (RoHS 2) & 2015/863/EU (RoHS 3) compliant.
2. See <https://www.diodes.com/quality/lead-free/> for more information about Diodes Incorporated’s definitions of Halogen- and Antimony-free, “Green” and Lead-free.
3. Halogen- and Antimony-free “Green” products are defined as those which contain <900ppm bromine, <900ppm chlorine (<1500ppm total Br + Cl) and <1000ppm antimony compounds.

## Pin Configuration

Top View



## Pin Description

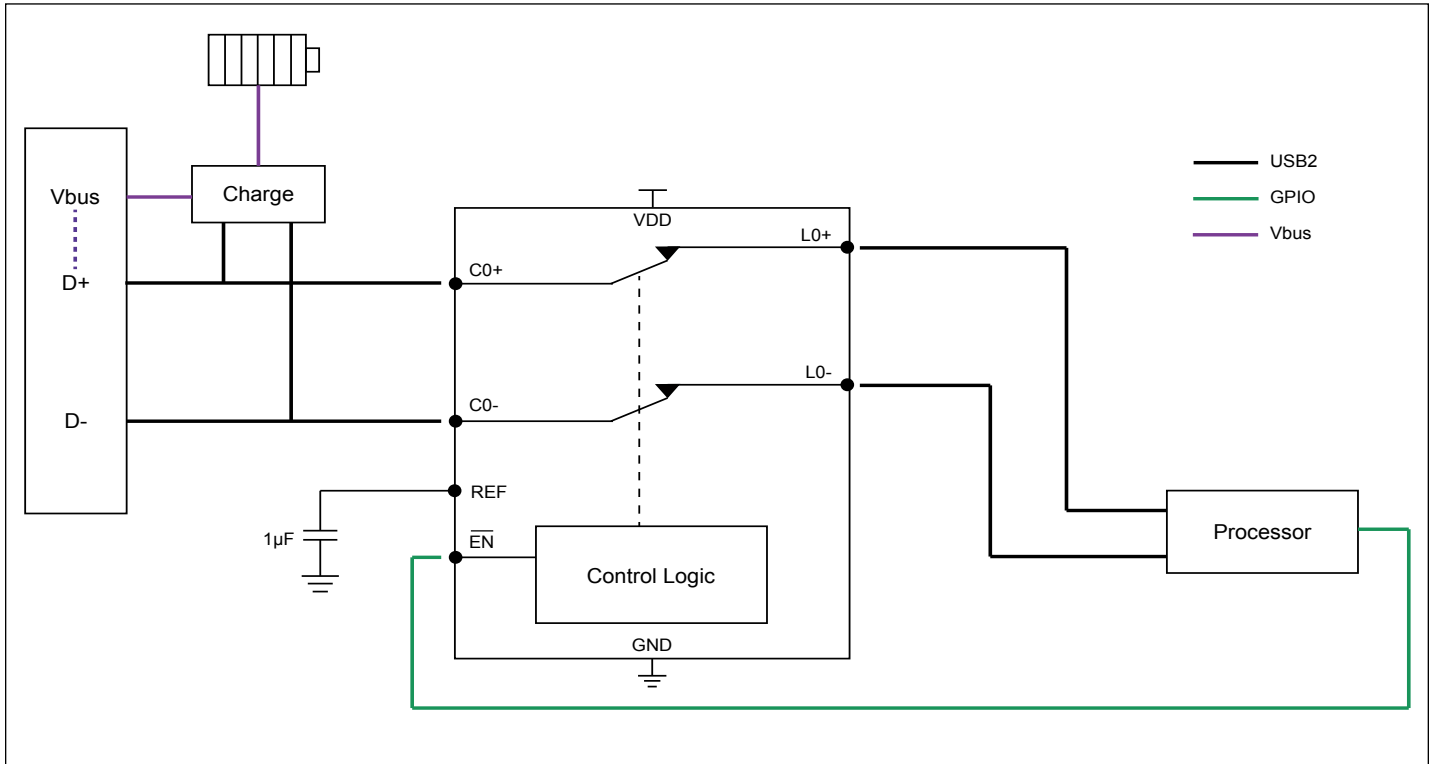
Pin#	Pin Name	Signal Type	Description
8, 7	C0+, C0-	I/O	Signal I/O, Port Side
3, 4	NC	NC	No Connection
1, 2	L0+, L0-	I/O	Signal I/O, System Side
9	$\overline{\text{EN}}$	I	$\overline{\text{EN}} = 1$ , Power down is enabled. Please see Truth Table.
6	REF	PWR	Reference pin, tie to GND through cap*
5	GND	PWR	Power ground
10	V <sub>DD</sub>	PWR	Positive Supply Voltage

\* The Cap on the REF pin required 1uF and 25V tolerance

## Truth Table

Function	$\overline{\text{EN}}$
C0+/- to L0+/-	L
All Switches Hi-Z	H

**PI3USB4002A provide overvoltage protection for D+/- when high voltage charging**



**Note:**

The capacitor connected to REF pin should have rated voltage higher than maximum voltage applied to C0+/- pins; the max rating of device on C0+/- is 24V, customer can select lower voltage capacitor if system required lower voltage tolerance on C0+/-; capacitance of 1uF.

1. The 1uF capacitor recommend to be placed to the REF and GND pin of the device as close as possible
2. The decoupling capacitor at the VDD recommend to be placed to the device as close as possible.
3. Keep the trace between connector and device as long as possible; if needs inductor between device and connector, it recommend to be placed to the USB connector as close as possible and leaving some trace line between the device and the inductor would help some for the ESD performance.

## Maximum Ratings

(Above which useful life may be impaired. For user guidelines, not tested.)

Storage Temperature .....	-65°C to +150°C
Supply Voltage (VDD) to Ground Potential .....	-0.3V to +6V
Channel Input/Output Voltage (L0+/-) .....	-0.3V to +6V
Channel Input/Output Voltage (C0+/-) .....	-0.3V to +24V
Reference Pin Voltage (REF) to Ground Potential.....	-0.3V to +24V
Control Pins Input Voltage ( $\overline{EN}$ ).....	-0.3V to +6V
ESD (All Pins).....	2KV (HBM) and 1KV (CDM)
Channel Input/Output Current (L0/C0).....	±50mA

**Note:**

Stresses greater than those listed under MAXIMUM RATINGS may cause permanent damage to the device. This is a stress rating only and functional operation of the device at these or any other conditions above those indicated in the operational sections of this specification is not implied. Exposure to absolute maximum rating conditions for extended periods may affect reliability.

## Recommended Operating Conditions

Symbol	Description	Test Conditions	Min.	Typ.	Max.	Units
V <sub>DD</sub>	Power Supply		2.7	3.3	5.5	V
V <sub>I/O</sub>	Analog Voltage Range		0		5.5	V
V <sub>I</sub>	Voltage Range for Control Pins		0		5.5	V
I <sub>DD</sub>	Current Consumption in Normal Operation	V <sub>DD</sub> = 3.3V, V <sub>IO</sub> = 0V, $\overline{EN}$ = Low		35	45	μA
I <sub>DDQ</sub>	Chip Disabled Current Consumption	V <sub>DD</sub> = 3.3V, V <sub>IO</sub> = 0V, $\overline{EN}$ = High		1	2	μA
T <sub>A</sub>	Operating Temperature Range		-40		85	°C

## DC Electrical Characteristics for Switching over Operating Range

(T<sub>A</sub> = -40°C to 85°C, Typical values are at V<sub>DD</sub> = 3.3V, T<sub>A</sub> = 25°C,  $\overline{EN}$  = 0V, REF = NC (unless otherwise noted))

Parameter	Description	Test Conditions	Min.	Typ.	Max.	Units
<b>Control Pins - <math>\overline{EN}</math></b>						
V <sub>IH</sub> - cntrl signals	Input HIGH Voltage for $\overline{EN}$	V <sub>DD</sub> = 2.7-5.5V	1.2			V
V <sub>IL</sub> - cntrl signals	Input LOW Voltage for $\overline{EN}$	V <sub>DD</sub> = 2.7-5.5V			0.6	V
I <sub>IH</sub>	Input HIGH Current for $\overline{EN}$	V <sub>I</sub> = 5.5V	-1		1	μA
I <sub>IL</sub>	Input LOW Current for $\overline{EN}$	V <sub>I</sub> = 0V	-1		1	μA
<b>High Speed IO - L0/C0</b>						
V <sub>OVP</sub>	CO± OVP trigger voltage		4.6	4.75	5.0	V
R <sub>on</sub>	ON resistance	V <sub>I/O</sub> = 0V, 0.4V, I <sub>on</sub> = -8mA		5	9	Ω
Δ R <sub>on</sub>	On resistance between + and - channel	V <sub>I/O</sub> = 0V, 0.4V, I <sub>on</sub> = -8mA		0.5	1	Ω
R <sub>on_Flat</sub>	ON resistance flatness	V <sub>I/O</sub> = 0V, 0.4V, I <sub>on</sub> = -8mA		0.2	0.5	Ω
I <sub>off</sub>	CO± Power-off leakage	V <sub>DD</sub> = 0V, V <sub>CO+/-</sub> = 0 - 3.6V	-1		1	μA
I <sub>OC</sub>	Channel off leakage current	$\overline{EN}$ = V <sub>DD</sub> = 3.3V, V <sub>I/O</sub> = 0 - 3.6V	-1		1	μA
I <sub>ON</sub>	Channel on leakage current	$\overline{EN}$ = 0V, V <sub>DD</sub> = 3.3V, V <sub>I/O</sub> = 0 - 3.6V	-1		1	μA
I <sub>OVP</sub>	Leakage current on C0+/C0- in OVP mode	$\overline{EN}$ = 0V, V <sub>DD</sub> = 3.3V, V <sub>CO+</sub> or V <sub>CO-</sub> = 20V			1	mA
Z <sub>ON_GND</sub>	On state impedance to GND	$\overline{EN}$ = 0V, V <sub>DD</sub> = 3.3V, V <sub>I/O</sub> = 0 - 3.6V	4	7		MΩ

## Dynamic Electrical Characteristics

( $T_A = -40^{\circ}\text{C}$  to  $85^{\circ}\text{C}$ , Typical values are at  $V_{DD} = 3.3\text{V}$ ,  $T_A = 25^{\circ}\text{C}$ , (unless otherwise noted))

Parameter	Description	Test Conditions	Min.	Typ.	Max.	Units
<b>Control Pins – EN</b>						
$C_I$	Input Capacitance	$f=1\text{MHz}$		5		pF
<b>High Speed IO – L0/C0</b>						
Con	ON Capacitance	$f=1\text{MHz}$		7		pF
Coff	OFF Capacitance	$f=1\text{MHz}$		9		pF
$I_L$	Insertion Loss	$f=240\text{MHz}$		-0.5		dB
$R_L$	Return Loss	$f=240\text{MHz}$		-15		dB
$O_{IRR}$	OFF Isolation	$f=240\text{MHz}$		-30		dB
$X_{TALK}$	Crosstalk	$f=240\text{MHz}$		-35		dB
BW	-3dB Bandwidth			1		GHz

## Switching Characteristics

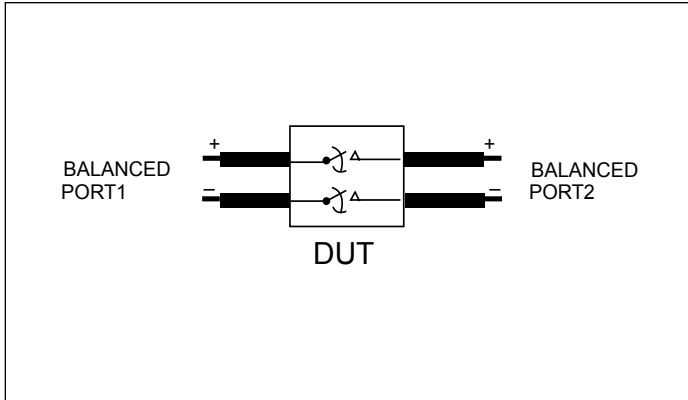
( $T_A = -40^{\circ}\text{C}$  to  $85^{\circ}\text{C}$ , Typical values are at  $V_{DD} = 3.3\text{V}$ ,  $T_A = 25^{\circ}\text{C}$ , (unless otherwise noted))

Parameter	Description	Test Conditions	Min.	Typ.	Max.	Units
$t_{OVP}$	OVP Response Time <sup>(1)</sup>	$R_{L0} = 600\Omega$ , time from the voltage on $C0\pm = 4\sim 6\text{V}$ to the voltage on $L0\pm = 4.75\text{V}$		0.5	1	$\mu\text{s}$
$t_{pd}$	Propagation Delay	See Test Circuit for Electrical Characteristics		250		ps
$t_{b-b}$	Bit-to-bit Skew Within the Same Differential Pair <sup>(1)</sup>			8	20	ps
$t_{on}$	Device Enable Time			100		$\mu\text{s}$
$t_{off}$	Device Disable Time			50		ns

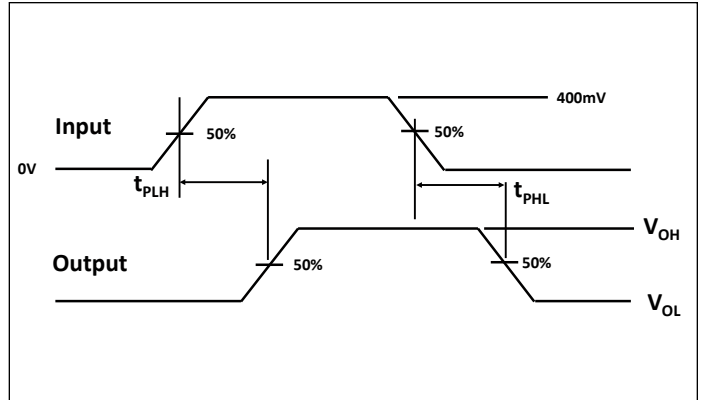
Note:

1. Guaranteed by design.

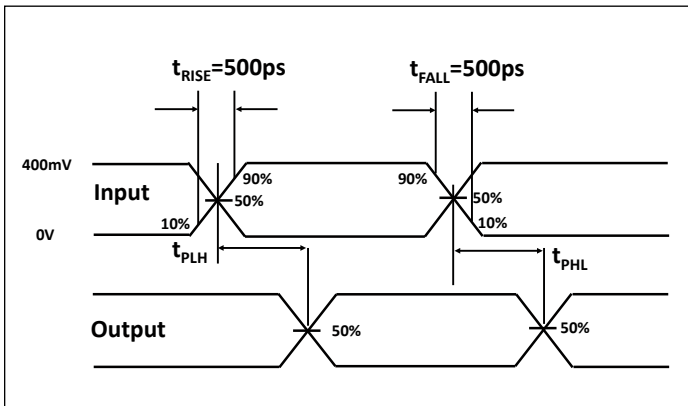
**PI3USB4002A**



**Fig 1. Differential Insertion Loss Setup**



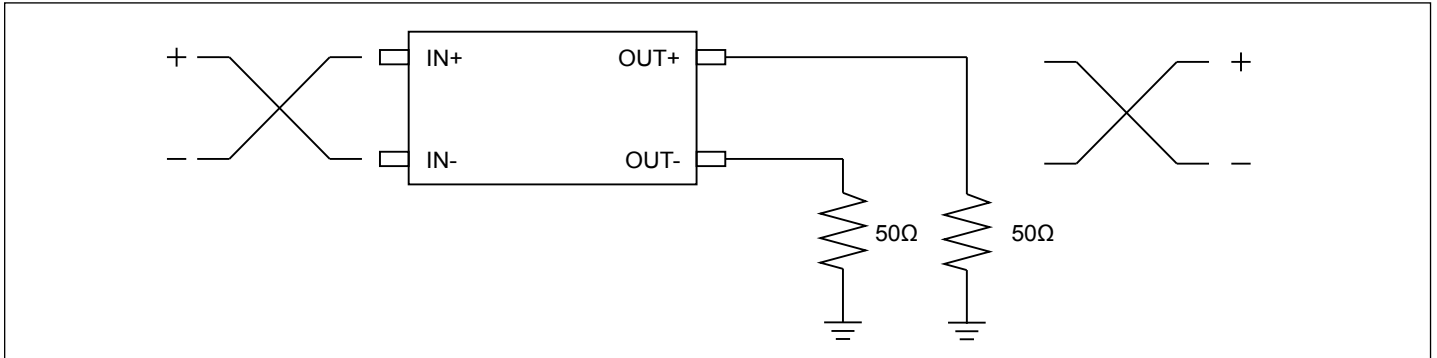
**Fig 2. Propagation Delay**



**Fig 3. Skew Test**

PI3USB4002A

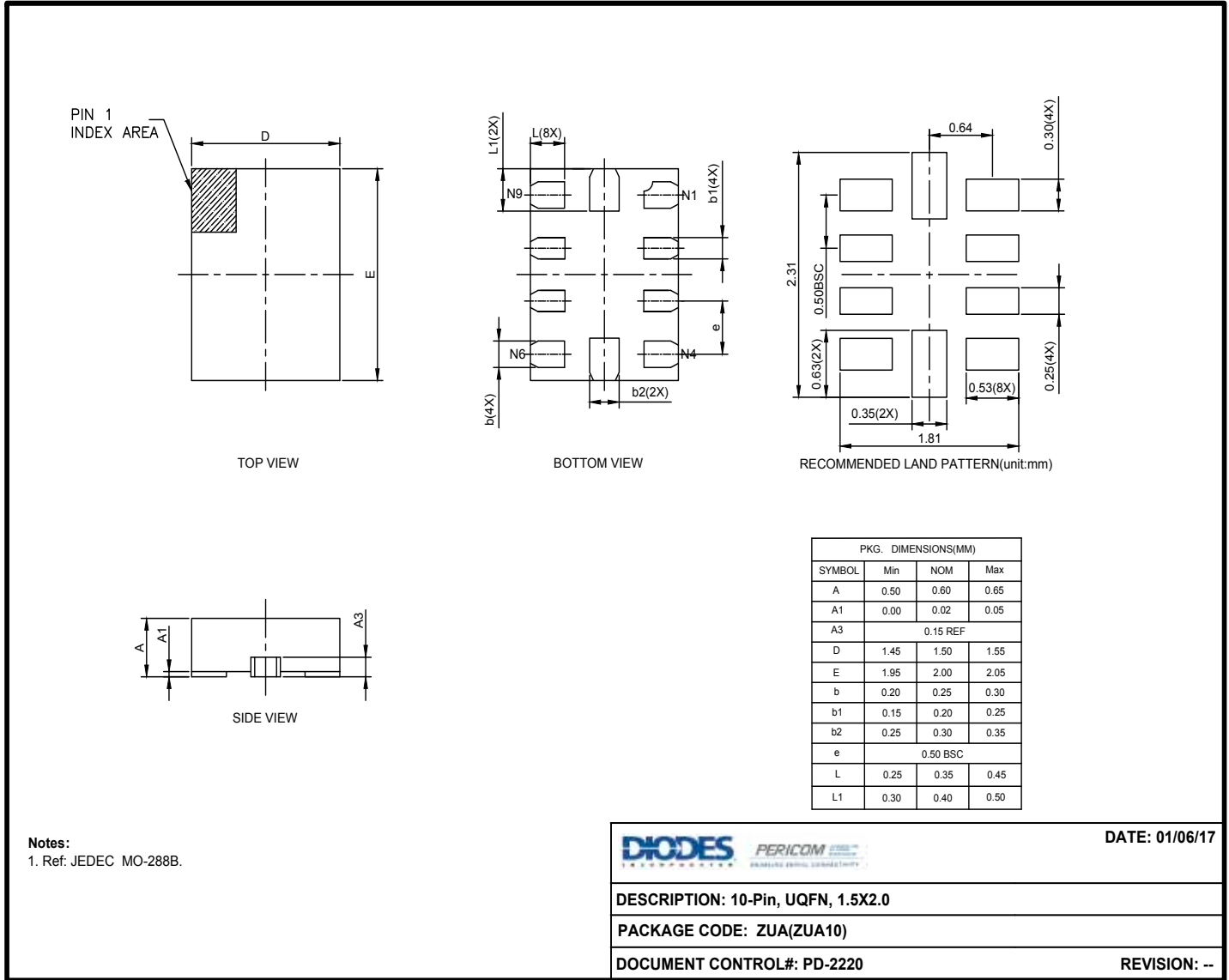
### Test Circuit for Propagation Delay



### Part Marking

Top mark not available at this time. To obtain advance information regarding the top mark, please contact your local sales representative.

**Packaging Mechanical: 10-UQFN (ZUA)**



17-0002

**For latest package info.**

please check: <http://www.diodes.com/design/support/packaging/pericom-packaging/packaging-mechanicals-and-thermal-characteristics/>

**Ordering Information**

Ordering Code	Package Code	Package Description
PI3USB4002AZUAEX	ZUA	10-Pin, 1.5 x 2.0 (UQFN)

**Notes:**

1. No purposely added lead. Fully EU Directive 2002/95/EC (RoHS), 2011/65/EU (RoHS 2) & 2015/863/EU (RoHS 3) compliant.
2. See <https://www.diodes.com/quality/lead-free/> for more information about Diodes Incorporated's definitions of Halogen- and Antimony-free, "Green" and Lead-free.
3. Halogen- and Antimony-free "Green" products are defined as those which contain <900ppm bromine, <900ppm chlorine (<1500ppm total Br + Cl) and <1000ppm antimony compounds.
4. E = Pb-free and Green
5. X suffix = Tape/Reel



**IMPORTANT NOTICE**

DIODES INCORPORATED MAKES NO WARRANTY OF ANY KIND, EXPRESS OR IMPLIED, WITH REGARDS TO THIS DOCUMENT, INCLUDING, BUT NOT LIMITED TO, THE IMPLIED WARRANTIES OF MERCHANTABILITY AND FITNESS FOR A PARTICULAR PURPOSE (AND THEIR EQUIVALENTS UNDER THE LAWS OF ANY JURISDICTION).

Diodes Incorporated and its subsidiaries reserve the right to make modifications, enhancements, improvements, corrections or other changes without further notice to this document and any product described herein. Diodes Incorporated does not assume any liability arising out of the application or use of this document or any product described herein; neither does Diodes Incorporated convey any license under its patent or trademark rights, nor the rights of others. Any Customer or user of this document or products described herein in such applications shall assume all risks of such use and will agree to hold Diodes Incorporated and all the companies whose products are represented on Diodes Incorporated website, harmless against all damages.

Diodes Incorporated does not warrant or accept any liability whatsoever in respect of any products purchased through unauthorized sales channel.

Should Customers purchase or use Diodes Incorporated products for any unintended or unauthorized application, Customers shall indemnify and hold Diodes Incorporated and its representatives harmless against all claims, damages, expenses, and attorney fees arising out of, directly or indirectly, any claim of personal injury or death associated with such unintended or unauthorized application.

Products described herein may be covered by one or more United States, international or foreign patents pending. Product names and markings noted herein may also be covered by one or more United States, international or foreign trademarks.

This document is written in English but may be translated into multiple languages for reference. Only the English version of this document is the final and definitive format released by Diodes Incorporated.

**LIFE SUPPORT**

Diodes Incorporated products are specifically not authorized for use as critical components in life support devices or systems without the express written approval of the Chief Executive Officer of Diodes Incorporated. As used herein:

A. Life support devices or systems are devices or systems which:

1. are intended to implant into the body, or

2. support or sustain life and whose failure to perform when properly used in accordance with instructions for use provided in the labeling can be reasonably expected to result in significant injury to the user.

B. A critical component is any component in a life support device or system whose failure to perform can be reasonably expected to cause the failure of the life support device or to affect its safety or effectiveness.

Customers represent that they have all necessary expertise in the safety and regulatory ramifications of their life support devices or systems, and acknowledge and agree that they are solely responsible for all legal, regulatory and safety-related requirements concerning their products and any use of Diodes Incorporated products in such safety-critical, life support devices or systems, notwithstanding any devices- or systems-related information or support that may be provided by Diodes Incorporated. Further, Customers must fully indemnify Diodes Incorporated and its representatives against any damages arising out of the use of Diodes Incorporated products in such safety-critical, life support devices or systems.

Copyright © 2020, Diodes Incorporated

[www.diodes.com](http://www.diodes.com)