

National Semiconductor is now part of  
Texas Instruments.

Search <http://www.ti.com/> for the latest technical  
information and details on our current products and services.

# LMH6584/LMH6585

## 32x16 400 MHz Analog Crosspoint Switches, Gain of 1, Gain of 2

### General Description

The LMH® family of products is joined by the LMH6584 and the LMH6585 high speed, non-blocking, analog, crosspoint switches. The LMH6584/LMH6585 are designed for high speed, DC coupled, analog signals such as high resolution video (UXGA and higher). The LMH6584/LMH6585 have 32 inputs and 16 outputs. The non-blocking architecture allows an output to be connected to any input, including an input that is already selected. With fully buffered inputs the LMH6584/LMH6585 can be impedance matched to nearly any source impedance. The buffered outputs of the LMH6584/LMH6585 can drive up to two back terminated video loads (75Ω load). The outputs and inputs also feature high impedance inactive states allowing high performance input and output expansion for array sizes such as 32 x 32 or 64 x 16 by combining two devices. The LMH6584/LMH6585 are controlled with a 4 pin serial interface. Both single serial mode and addressed chain modes are available.

The LMH6584/LMH6585 come in 144-pin LQFP packages. They also have diagonally symmetrical pin assignments to facilitate double sided board layouts and easy pin connections for expansion.

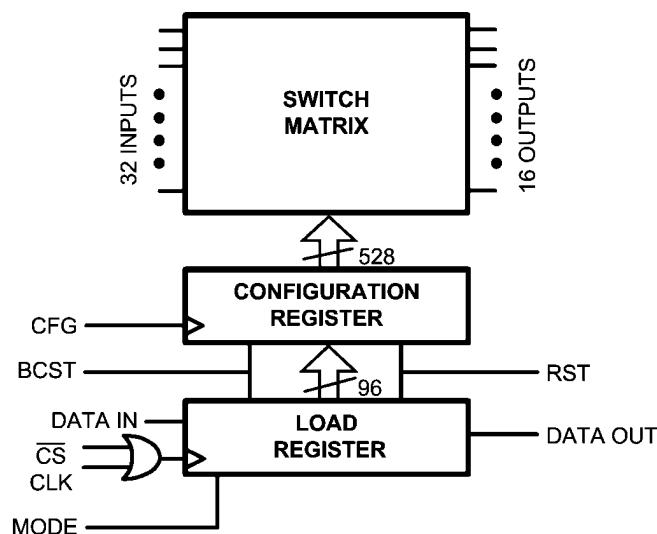
### Features

- 32 inputs and 16 outputs
- 144-pin LQFP package
- -3 dB bandwidth ( $V_{OUT} = 2 V_{PP}$ ,  $R_L = 150\Omega$ ) 400 MHz
- Fast slew rate 1200 V/ $\mu$ s
- Channel to channel crosstalk (10/100 MHz) -52/ -43 dBc
- Easy to use serial programming 4 wire bus
- Two programming modes Serial & addressed modes
- Symmetrical pinout facilitates expansion.
- Output current  $\pm 50$  mA

### Applications

- Studio monitoring/production video systems
- Conference room multimedia video systems
- KVM (keyboard video mouse) systems
- Security/surveillance systems
- Multi antenna diversity radio
- Video test equipment
- Medical imaging
- Wide-band routers & switches

### Block Diagram



30045011

**Absolute Maximum Ratings** (Note 1)

If Military/Aerospace specified devices are required, please contact the National Semiconductor Sales Office/Distributors for availability and specifications.

ESD Tolerance (Note 2)	
Human Body Model	2000V
Machine Model	200V
$V_S$	$\pm 6V$
$I_{IN}$ (Input Pins)	$\pm 20$ mA
$I_{OUT}$	(Note 3)
Input Voltage Range	V- to V+
Maximum Junction Temperature	+150°C

Storage Temperature Range	-65°C to +150°C
Soldering Information	
Infrared or Convection (20 sec.)	235°C
Wave Soldering (10 sec.)	260°C

**Operating Ratings** (Note 1)

Temperature Range (Note 4)	-40°C to +85°C
Supply Voltage Range	$\pm 3V$ to $\pm 5.5V$
Thermal Resistance	$\theta_{JA}$ $\theta_{JC}$
144-Pin TQFP	22°C/W      5°C/W

 **$\pm 3.3V$  Electrical Characteristics** (Note 5)

Unless otherwise specified, typical conditions are:  $T_A = 25^\circ\text{C}$ ,  $V_S = \pm 3.3V$ ,  $R_L = 100\Omega$ . **Boldface** limits apply at the temperature extremes.

Symbol	Parameter	Conditions	Min (Note 8)	Typ (Note 7)	Max (Note 8)	Units
<b>Frequency Domain Performance</b>						
SSBW	-3 dB Bandwidth	LMH6584, $V_{OUT} = 0.25 V_{PP}$ (Note 12)		350		MHz
		LMH6585V, $V_{OUT} = 0.5 V_{PP}$ (Note 12)		350		
LSBW		LMH6584, $V_{OUT} = 1V_{PP}$ , $R_L = 1 k\Omega$ (Note 12)		375		
		LMH6585, $V_{OUT} = 2V_{PP}$ , $R_L = 1 k\Omega$ (Note 12)		375		
		LMH6584, $V_{OUT} = 1V_{PP}$ , $R_L = 150\Omega$ (Note 12)		375		
		LMH6585, $V_{OUT} = 2V_{PP}$ , $R_L = 150\Omega$ (Note 12)		375		
GF	0.1 dB Gain Flatness	$V_{OUT} = 2 V_{PP}$ , $R_L = 150\Omega$		50		MHz
DG	Differential Gain	$R_L = 150\Omega$ , 3.58 MHz/ 4.43 MHz		0.06		%
DP	Differential Phase	$R_L = 150\Omega$ , 3.58 MHz/ 4.43 MHz		0.04		deg
<b>Time Domain Response</b>						
$t_r$	Rise Time	LMH6584, 2V Step, 10% to 90%		2.0		ns
		LMH6585, 2 V Step, 10% to 90%		1.26		
$t_f$	Fall Time	LMH6584, 2 V Step, 10% to 90%		1.75		ns
		LMH6585, V Step, 10% to 90%		1.0		
OS	Overshoot	LMH6584, 2 V Step		0		%
		LMH6585, 2 V Step		5		
SR	Slew Rate	LMH6584, 2 $V_{PP}$ , 20% to 80%		900		$V/\mu\text{s}$
		LMH6585, 2 $V_{PP}$ , 20% to 80% (Note 6)		1300		
$t_s$	Settling Time	2V Step, $V_{OUT}$ within 0.5%		15		ns
<b>Distortion And Noise Response</b>						
HD2	2 <sup>nd</sup> Harmonic Distortion	LMH6584, 1 $V_{PP}$ , 10 MHz		-70		dBc
HD3	3 <sup>rd</sup> Harmonic Distortion	1 $V_{PP}$ , 10 MHz		-75		dBc
$e_n$	Input Referred Voltage Noise	>1 MHz		12		nV/ $\sqrt{\text{Hz}}$
$i_n$	Input Referred Current Noise	>1 MHz		22		pA/ $\sqrt{\text{Hz}}$
	Switching Time			50		ns
XTLK	Crosstalk	Channel to channel, f = 100 MHz		-43		dBc
ISOL	Off Isolation	f = 100 MHz		-60		dBc

Symbol	Parameter	Conditions	Min (Note 8)	Typ (Note 7)	Max (Note 8)	Units
<b>Static, DC Performance</b>						
$A_{VOL}$	Voltage Gain	LMH6584	0.987	1.00	1.013	V/V
		LMH6585	1.98	2.00	2.02	
$V_{OS}$	Input Offset Voltage			±3	±18	mV
$TCV_{OS}$	Input Offset Voltage Temperature Drift	(Note 10)		13		μV/°C
$I_B$	Input Bias Current	Non-Inverting (Note 9)		-5		μA
$TCI_B$	Input Bias Current Average Drift	Non-Inverting (Note 10)		4		nA/°C
$V_{OUT}$	Output Voltage Range	$R_L = 100\Omega$ , LMH6584	-1.36, +1.38	±1.6		V
		$R_L = \infty$ , LMH6584(Note 11)	-1.36, +1.38	±1.6		
		$R_L = 100\Omega$ , LMH6585	-1.82, +1.9	±2.1		
		$R_L = \infty$ , LMH6585	±2.05	±2.2		
PSRR	Power Supply Rejection Ratio			45		dB
$I_{CC}$	Positive Supply Current	$R_L = \infty$		189	250	mA
$I_{EE}$	Negative Supply Current	$R_L = \infty$		181	240	mA
	Tri State Supply Current	RST Pin > 2.0V		30	50	mA
<b>Miscellaneous Performance</b>						
$R_{IN}$	Input Resistance	Non-Inverting		100		kΩ
$C_{IN}$	Input Capacitance	Input connected to one output		9		pF
$C_{IN}$	Input Capacitance	Input connected to 16 outputs (Broadcast)		12		pF
$R_O$	Output Resistance Enabled	Closed Loop, Enabled		300		mΩ
	Output Resistance Disabled	Disabled, LMH6584		50		kΩ
	Output Resistance Disabled	Disabled, LMH6585		1.3		
CMVR	Input Common Mode Voltage Range			±0.8		V
$I_O$	Output Current	Sourcing, $V_O = 0$ V		±45		mA
<b>Digital Control</b>						
$V_{IH}$	Input Voltage High		2.0			V
$V_{IL}$	Input Voltage Low				0.8	V
$V_{OH}$	Output Voltage High			>2.2		V
$V_{OL}$	Output Voltage Low			<0.4		V
$T_S$	Setup Time			9		ns
$T_H$	Hold Time			9		ns

**±5V Electrical Characteristics** (Note 5)

Unless otherwise specified, typical conditions are:  $T_A = 25^\circ\text{C}$ ,  $A_V = +2$ ,  $V_S = \pm 5\text{V}$ ,  $R_L = 100\Omega$ . **Boldface** limits apply at the temperature extremes.

Symbol	Parameter	Conditions	Min (Note 8)	Typ (Note 7)	Max (Note 8)	Units
<b>Frequency Domain Performance</b>						
SSBW	-3 dB Bandwidth	LMH6584, $V_{OUT} = 0.25 V_{PP}$ (Note 12)		400		MHz
		LMH6585, $V_{OUT} = 0.5 V_{PP}$ (Note 12)		400		
LSBW		LMH6584, $V_{OUT} = 1V_{PP}$ , $R_L = 1\text{ k}\Omega$ (Note 12)		400		
		LMH6585, $V_{OUT} = 2 V_{PP}$ , $R_L = 1\text{ k}\Omega$ (Note 12)		400		
		LMH6584, $V_{OUT} = 1V_{PP}$ , $R_L = 150\Omega$ (Note 12)		400		
		LMH6585, $V_{OUT} = 2 V_{PP}$ , $R_L = 150\Omega$ (Note 12)		400		
GF	0.1 dB Gain Flatness	$V_{OUT} = 2 V_{PP}$ , $R_L = 150\Omega$		50		MHz
DG	Differential Gain	$R_L = 150\Omega$ , 3.58 MHz/ 4.43 MHz		.04		%
DP	Differential Phase	$R_L = 150\Omega$ , 3.58 MHz/ 4.43 MHz		.03		deg
<b>Time Domain Response</b>						
$t_r$	Rise Time	LMH6584, 2V Step, 10% to 90%		1.75		ns
		LMH6585, 2V Step, 10% to 90%		1.25		
$t_f$	Fall Time	LMH6584, 2V Step, 10% to 90%		1.5		ns
		LMH6585, 2V Step, 10% to 90%		1.1		
OS	Overshoot	2V Step		5		%
SR	Slew Rate	LMH6584, 2 $V_{PP}$ , 40% to 60% (Note 6)		1100		$V/\mu\text{s}$
		LMH6585, 2 $V_{PP}$ , 40% to 60% (Note 6)		1700		
$t_s$	Settling Time	2V Step, $V_{OUT}$ Within 0.5%		10		ns
<b>Distortion And Noise Response</b>						
HD2	2 <sup>nd</sup> Harmonic Distortion	2 $V_{PP}$ , 5 MHz		-72		dBc
HD3	3 <sup>rd</sup> Harmonic Distortion	2 $V_{PP}$ , 5 MHz		-68		dBc
$e_n$	Input Referred Voltage Noise	>1 MHz		12		$\text{nV}/\sqrt{\text{Hz}}$
$i_n$	Input Referred Noise Current	>1 MHz		22		$\text{pA}/\sqrt{\text{Hz}}$
	Switching Time			50		ns
XTLK	Crosstalk	Channel to Channel, $f = 100\text{ MHz}$		-43		dBc
		Channel to Channel, $f = 10\text{ MHz}$		-52		dBc
ISOL	Off Isolation	$f = 100\text{ MHz}$		-60		dBc
<b>Static, DC Performance</b>						
$A_{VOL}$	Voltage Gain	LMH6584	0.987	1.00	1.013	$V/V$
		LMH6585	1.98	2.00	2.02	
$V_{OS}$	Input Offset Voltage	Input Referred		$\pm 2$	$\pm 18$	mV
$TCV_{OS}$	Input Offset Voltage Temperature Drift	(Note 10)		21		$\mu\text{V}/^\circ\text{C}$
$I_B$	Input Bias Current	Non-Inverting (Note 9)		-7	-12	$\mu\text{A}$
$TCI_B$	Input Bias Current Average Drift	Non-Inverting (Note 10)		3.8		$\text{nA}/^\circ\text{C}$

Symbol	Parameter	Conditions	Min (Note 8)	Typ (Note 7)	Max (Note 8)	Units
V <sub>OUT</sub>	Output Voltage Range	R <sub>L</sub> = 100Ω, LMH5484	-2.75 +2.9	±3.1		V
		R <sub>L</sub> = ∞, LMH6584	±2.9	±3.2		
		R <sub>L</sub> = 100Ω, LMH6585	-3.1 +3.3	±3.6		
		R <sub>L</sub> = ∞, LMH6585	±3.7	±3.9		
PSRR	Power Supply Rejection Ratio	DC	41	45		dB
XTLK	DC Crosstalk	DC, Channel to Channel	-60	-80		dB
ISOL	DC Off Isolation	DC	-72	-80		dB
I <sub>CC</sub>	Positive Supply Current	R <sub>L</sub> = ∞		210	265	mA
I <sub>EE</sub>	Negative Supply Current	R <sub>L</sub> = ∞		200	255	mA
	Tri State Supply Current	RST Pin > 2.0V		37	60	mA
<b>Miscellaneous Performance</b>						
R <sub>IN</sub>	Input Resistance	Non-Inverting		100		kΩ
C <sub>IN</sub>	Input Capacitance	Input connected to one output		9		pF
C <sub>IN</sub>	Input Capacitance	Input connected to 16 outputs (Broadcast)		12		pF
R <sub>O</sub>	Output Resistance Enabled	Closed Loop, Enabled		300		mΩ
	Output Resistance Disabled	Disabled, Resistance to Ground, LMH6584		50		kΩ
		Disabled, Resistance to Ground, LMH6585	1.1	1.3	1.4	
CMVR	Input Common Mode Voltage Range		±2.5	±3.1		V
I <sub>O</sub>	Output Current	Sourcing, V <sub>O</sub> = 0 V	±60	±80		mA
<b>Digital Control</b>						
V <sub>IH</sub>	Input Voltage High		2.0			V
V <sub>IL</sub>	Input Voltage Low				0.8	V
V <sub>OH</sub>	Output Voltage High			>2.4		V
V <sub>OL</sub>	Output Voltage Low			<0.4		V
T <sub>S</sub>	Setup Time			8		ns
T <sub>H</sub>	Hold Time			8		ns

**Note 1:** Absolute Maximum Ratings indicate limits beyond which damage to the device may occur. Operating Ratings indicate conditions for which the device is intended to be functional, but specific performance is not guaranteed. For guaranteed specifications, see the Electrical Characteristics tables.

**Note 2:** Human Body Model, applicable std. MIL-STD-883, Method 3015.7. Machine Model, applicable std. JESD22-A115-A (ESD MM std. of JEDEC) Field-Induced Charge-Device Model, applicable std. JESD22-C101-C (ESD FICDM std. of JEDEC).

**Note 3:** The maximum output current (I<sub>OUT</sub>) is determined by device power dissipation limitations.

**Note 4:** The maximum power dissipation is a function of T<sub>J(MAX)</sub> and θ<sub>JA</sub>. The maximum allowable power dissipation at any ambient temperature is P<sub>D</sub> = (T<sub>J(MAX)</sub> - T<sub>A</sub>) / θ<sub>JA</sub>. All numbers apply for packages soldered directly onto a PC Board.

**Note 5:** Electrical Table values apply only for factory testing conditions at the temperature indicated. No guarantee of parametric performance is indicated in the electrical tables under conditions different than those tested.

**Note 6:** Slew Rate is the average of the rising and falling edges.

**Note 7:** Typical values represent the most likely parametric norm as determined at the time of characterization. Actual typical values may vary over time and will also depend on the application and configuration. The typical values are not tested and are not guaranteed on shipped production material.

**Note 8:** Room Temperature limits are 100% production tested at 25°C. Device self heating results in T<sub>J</sub> ≥ T<sub>A</sub>, however, test time is insufficient for T<sub>J</sub> to reach steady state conditions. Limits over the operating temperature range are guaranteed through correlation using Statistical Quality Control (SQC) methods.

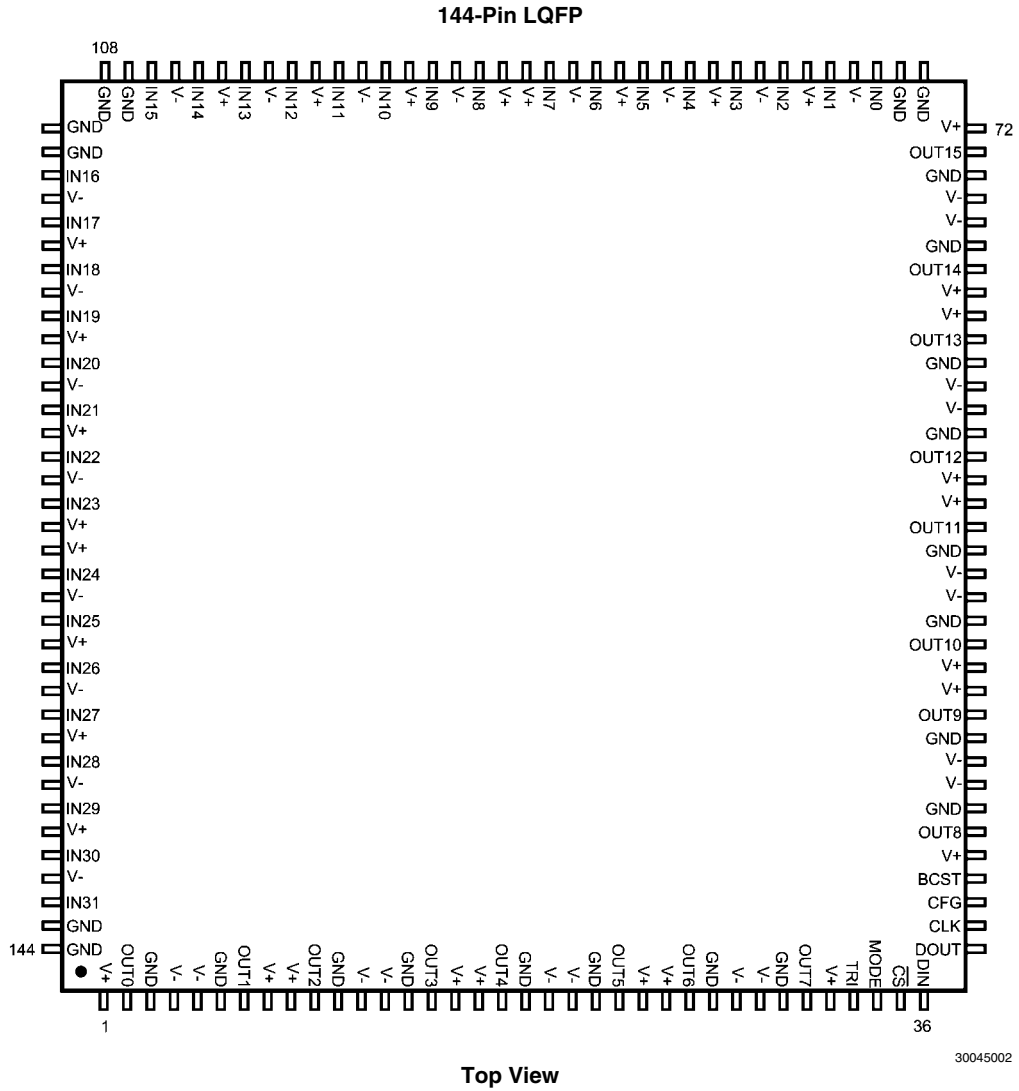
**Note 9:** Negative input current implies current flowing out of the device.

**Note 10:** Drift determined by dividing the change in parameter at temperature extremes by the total temperature change.

**Note 11:** This parameter is guaranteed by design and/or characterization and is not tested in production.

**Note 12:** The channel bandwidth varies over the different channel combinations and with expansion. See the application section for more details.

# Block and Connection Diagram

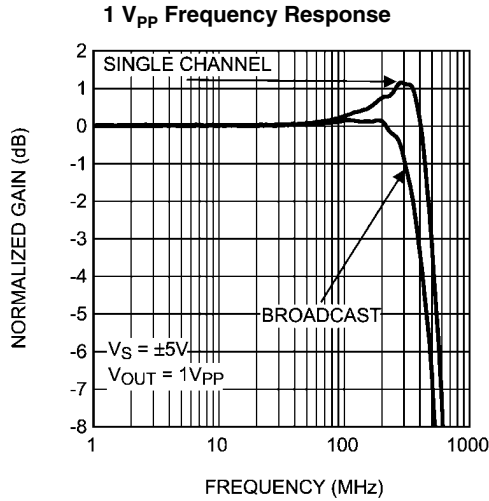


## Ordering Information

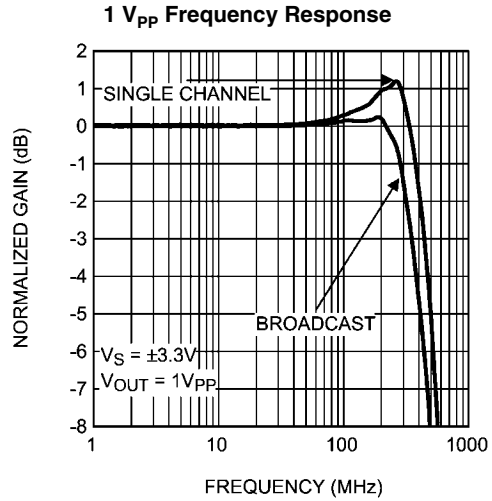
Package	Part Number	Package Marking	Transport Media	NSC Drawing
144-Pin LQFP	LMH6584VV	LMH6584VV	60 Units/Tray	VNG144C
	LMH6585VV	LMH6585VV		

# Typical Performance Characteristics LMH6584

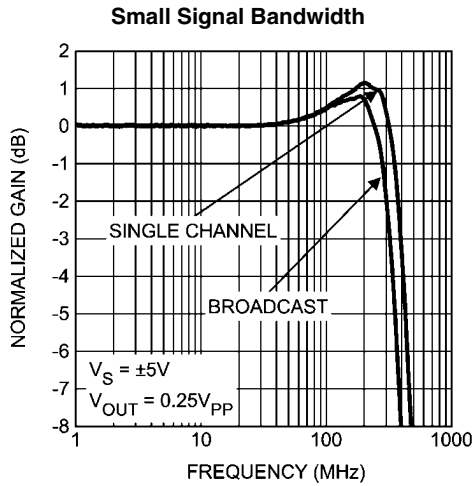
Unless otherwise specified, typical conditions are:  $T_A = 25^\circ\text{C}$ ,  $A_V = +1$ ,  $V_S = \pm 5\text{V}$ ,  $R_L = 150\Omega$ . **Boldface** limits apply at the temperature extremes.



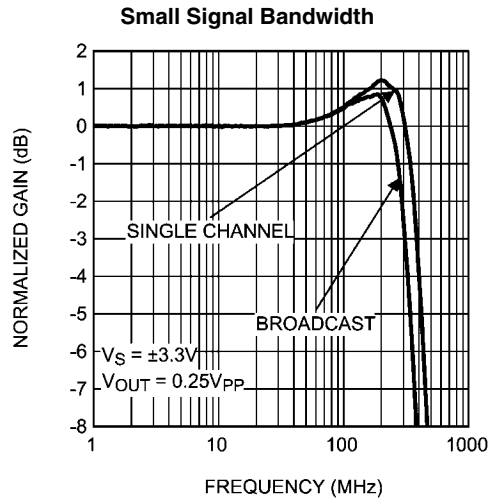
30045048



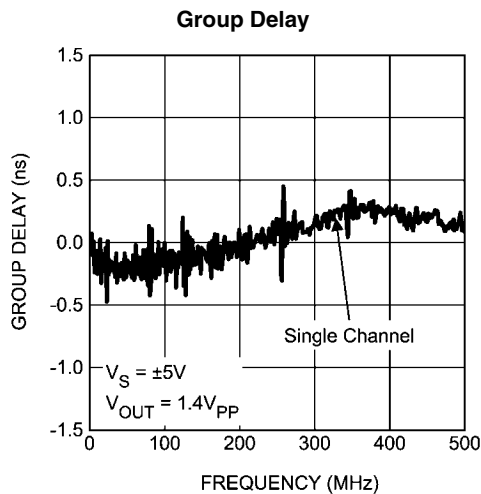
30045049



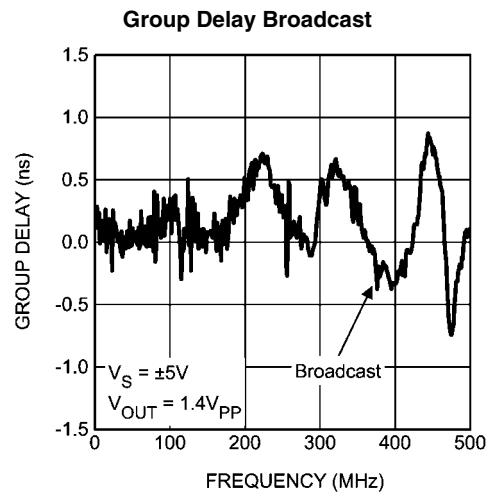
30045024



30045025



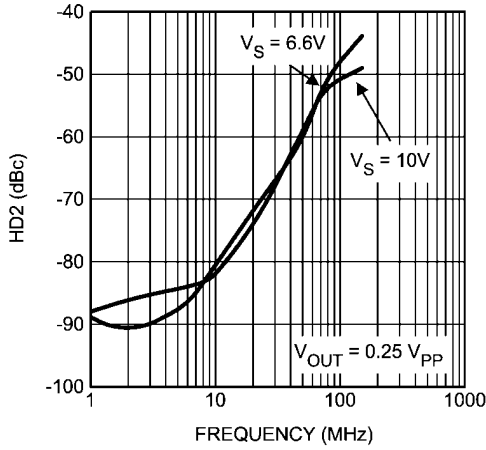
30045041



30045054

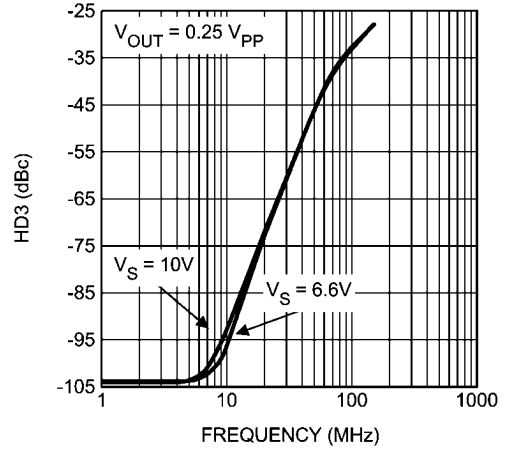


Second Order Distortion (HD2) vs. Frequency



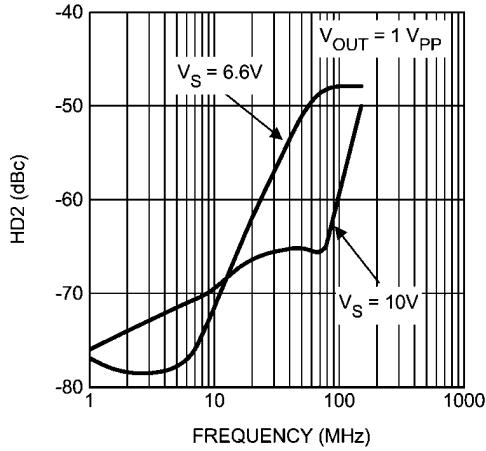
30045026

Third Order Distortion (HD3) vs. Frequency



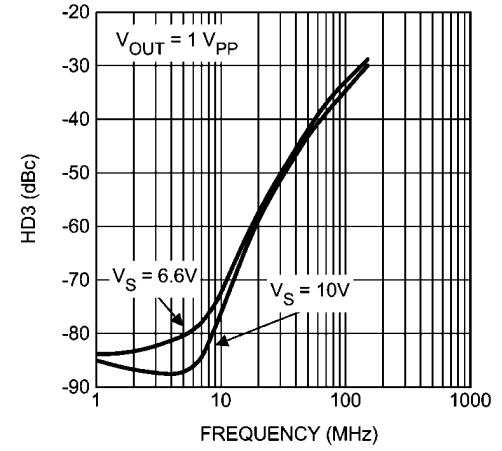
30045028

Second Order Distortion vs. Frequency



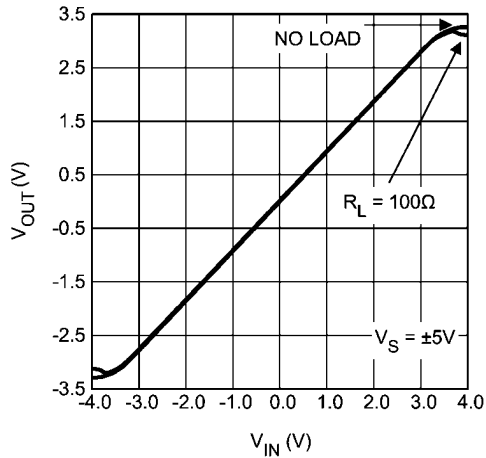
30045027

Third Order Distortion vs. Frequency



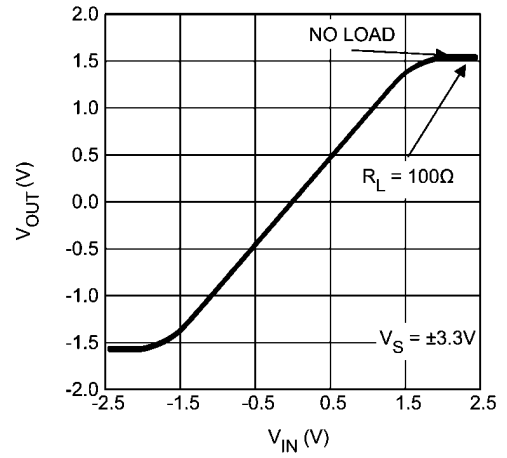
30045029

Output Swing

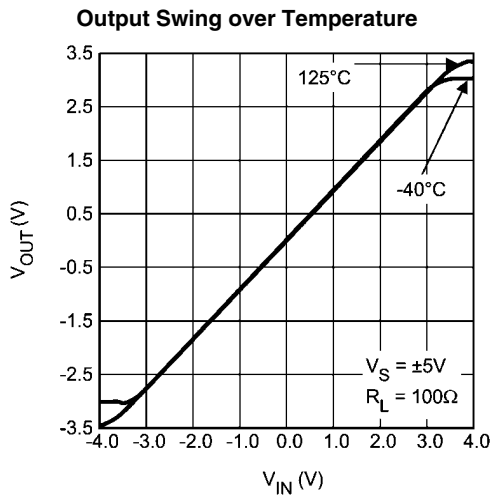


30045030

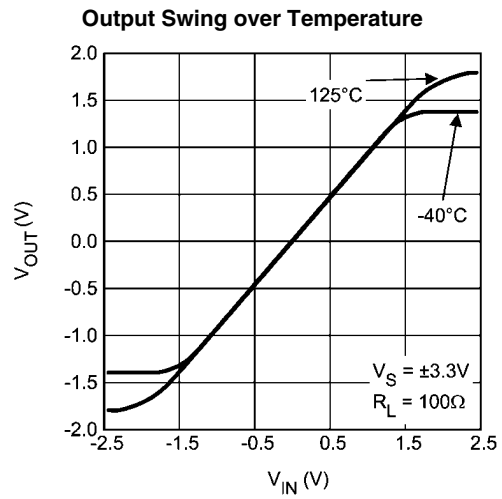
Output Swing



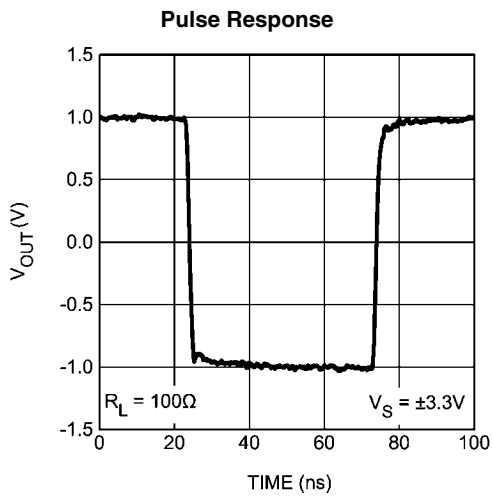
30045031



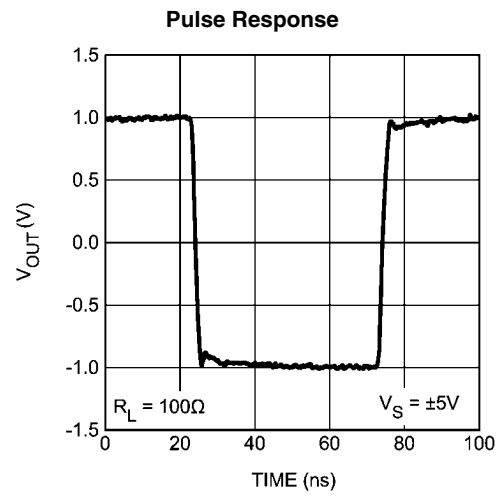
30045032



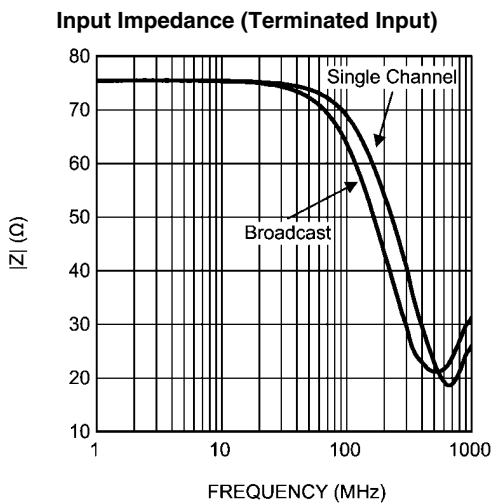
30045033



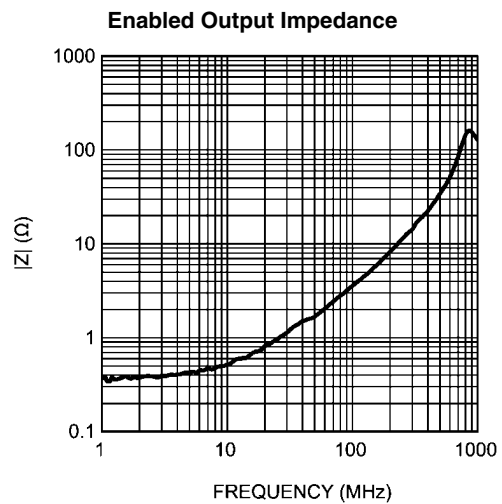
30045013



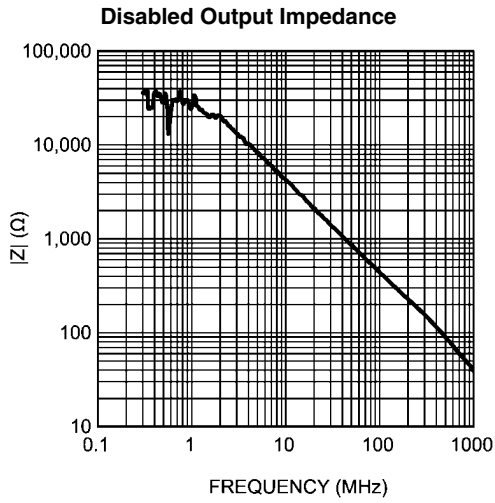
30045014



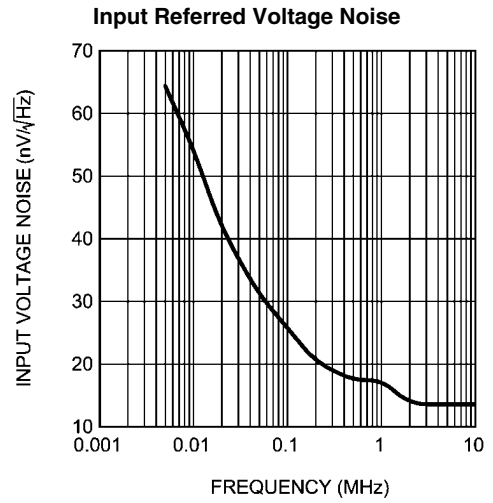
30045074



30045075



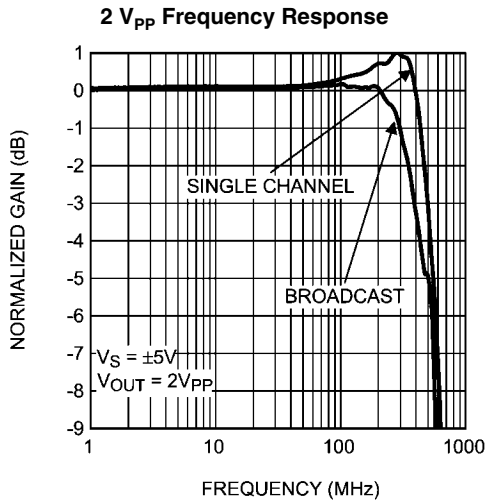
30045076



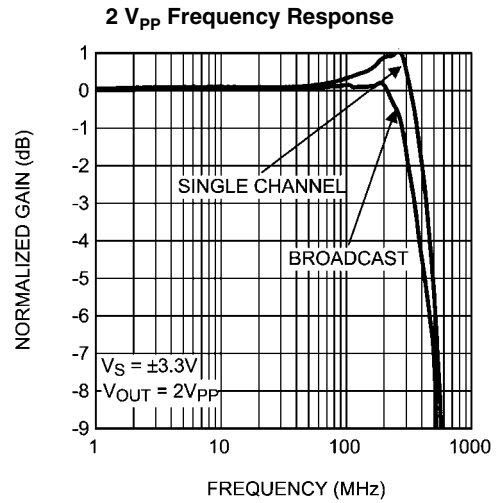
30045081

## Typical Performance Characteristics LMH6585

Unless otherwise specified, typical conditions are:  $T_A = 25^\circ C$ ,  $A_V = +2$ ,  $V_S = \pm 5V$ ,  $R_L = 150\Omega$ ; **Boldface** limits apply at the temperature extremes.

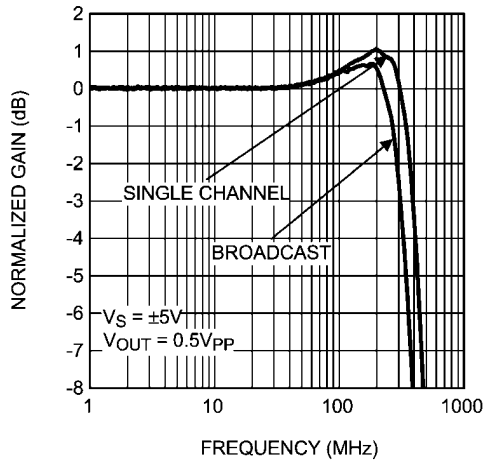


30045055



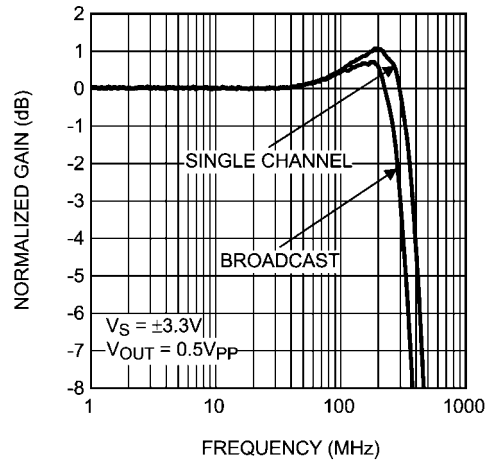
30045056

Small Signal Frequency Response



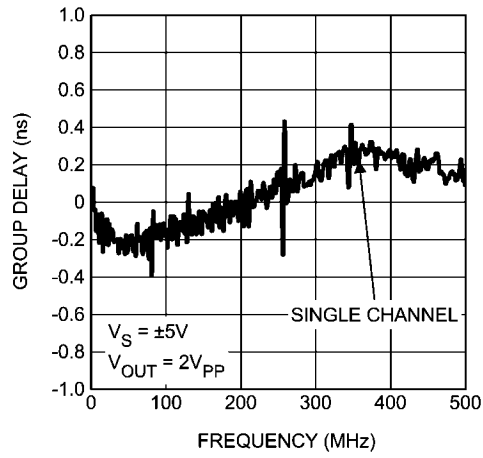
30045057

Small Signal Frequency Response



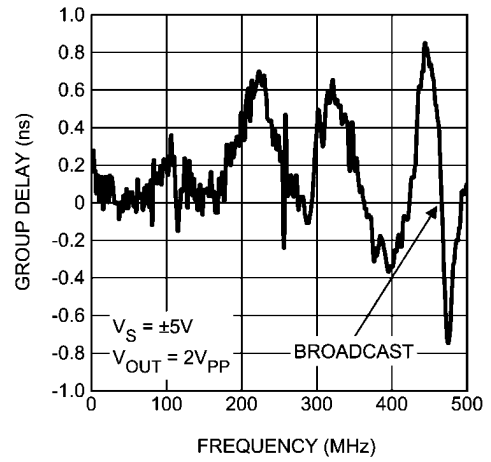
30045058

Group Delay



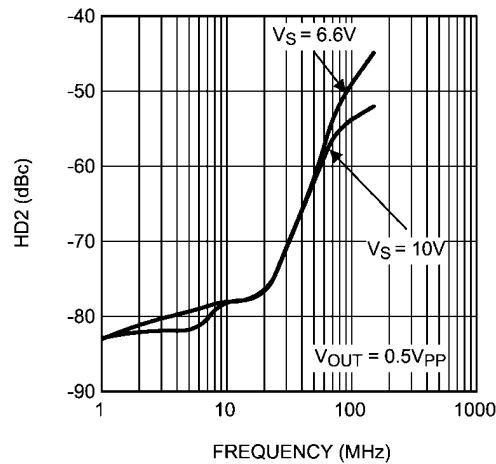
30045059

Group Delay



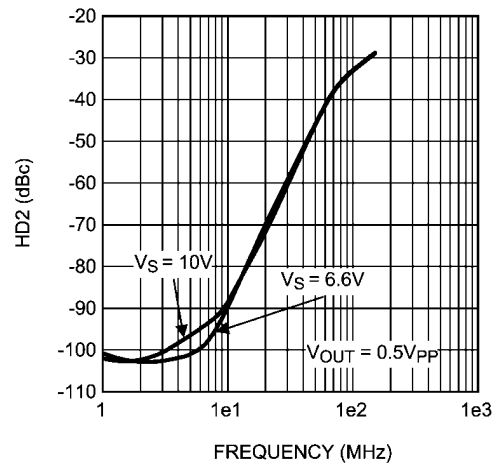
30045060

Second Order Distortion (HD2) vs. Frequency



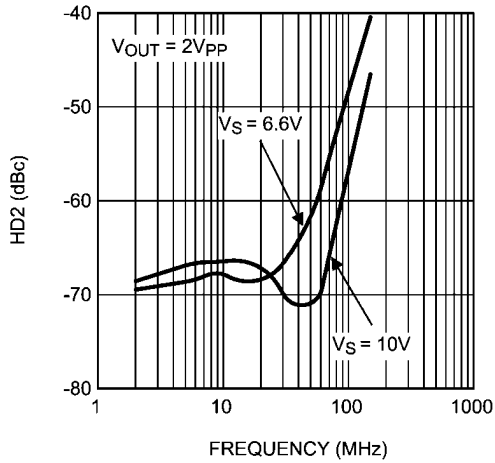
30045065

Third Order Distortion (HD3) vs. Frequency



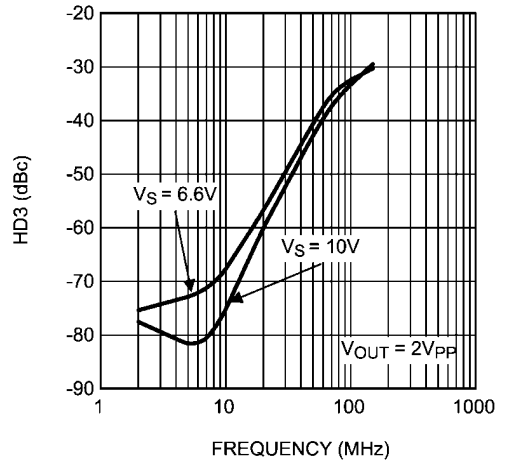
30045066

Second Order Distortion (HD2) vs. Frequency



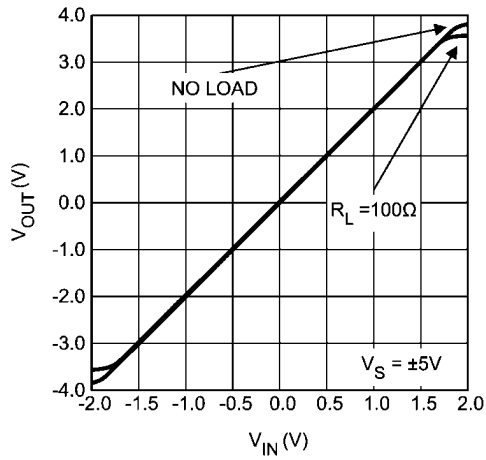
30045067

Third Order Distortion (HD3) vs. Frequency



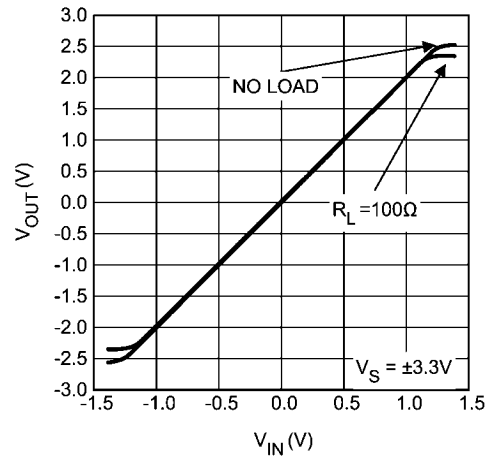
30045068

Output Swing



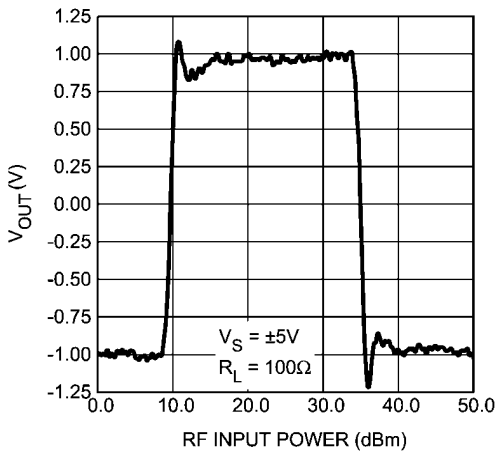
30045069

Output Swing



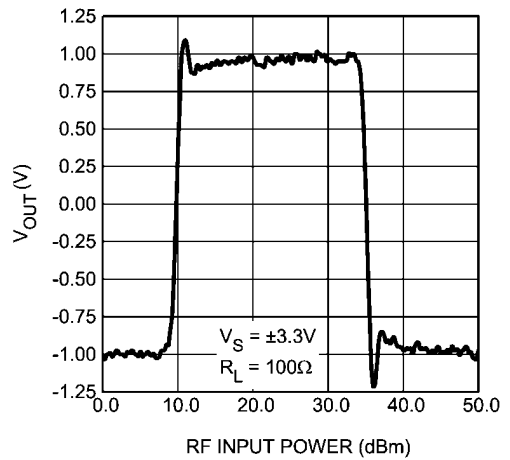
30045070

Pulse Response



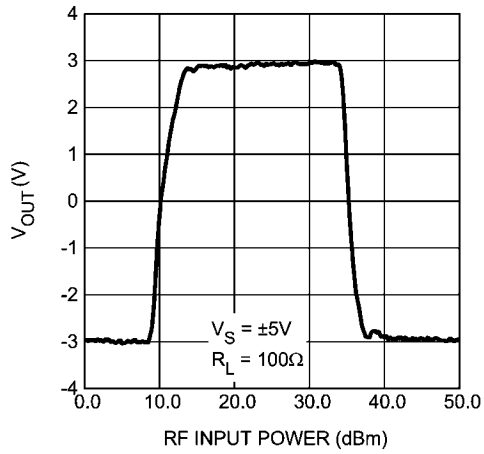
30045061

Pulse Response



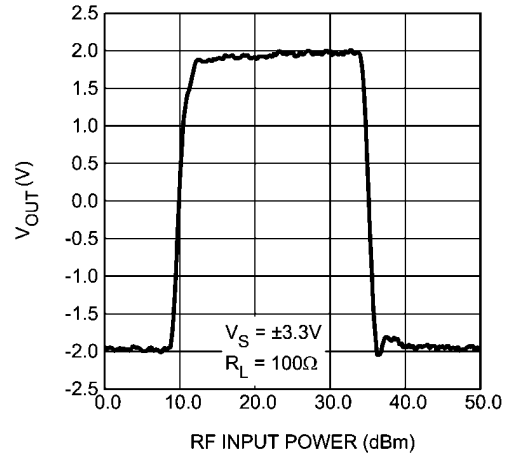
30045062

Large Signal Pulse Response



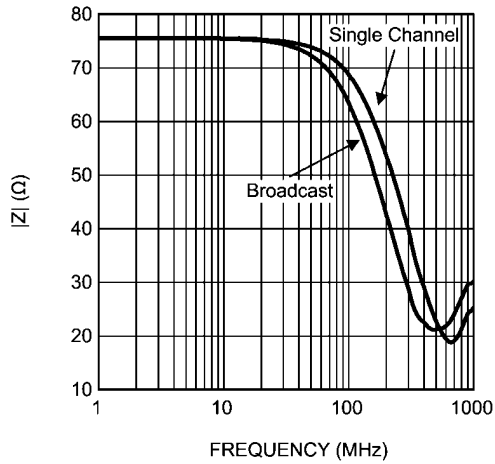
30045063

Large Signal Pulse Response



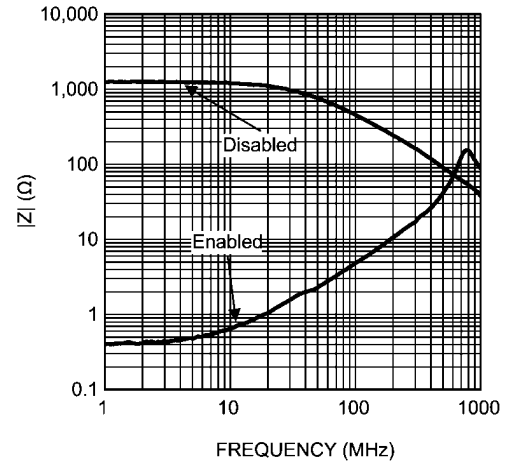
30045064

Input Impedance (Terminated Input)



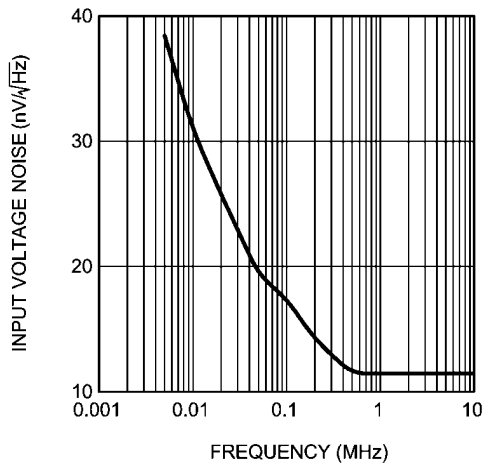
30045077

Output Impedance



30045078

Input Referred Voltage Noise



30045080

# Application Information

## INTRODUCTION

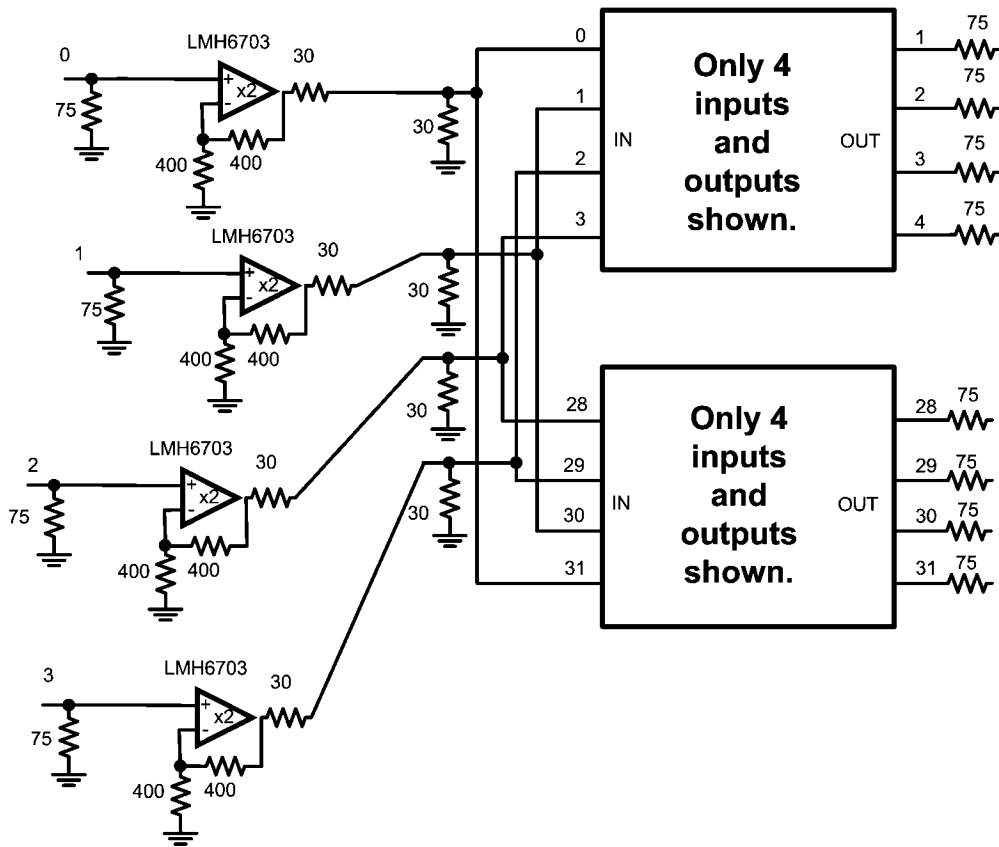
The LMH6584/LMH6585 are high speed, fully buffered, non blocking, analog crosspoint switches. Having fully buffered inputs allow the LMH6584/LMH6585 to accept signals from low or high impedance sources without the worry of loading the signal source. The fully buffered outputs will drive 75Ω or 50Ω back terminated transmission lines with no external components other than the termination resistor. When disabled, the outputs are in a high impedance state. The LMH6584/LMH6585 can have any input connected to any (or all) output (s). Conversely, a given output can have only one associated input.

## INPUT AND OUTPUT EXPANSION

The LMH6584/LMH6585 have high impedance inactive states for both inputs and outputs allowing maximum flexibility for Crosspoint expansion. In addition the LMH6584/LMH6585 employ diagonal symmetry in pin assignments. The diagonal symmetry makes it easy to use direct pin to pin vias when the parts are mounted on opposite sides of a board. As an example two LMH6584/LMH6585 chips can be combined on one board to form either a 32 x 32 crosspoint or a 64 x 16 crosspoint. To make a 32 x 32 cross-point all 32 input pins

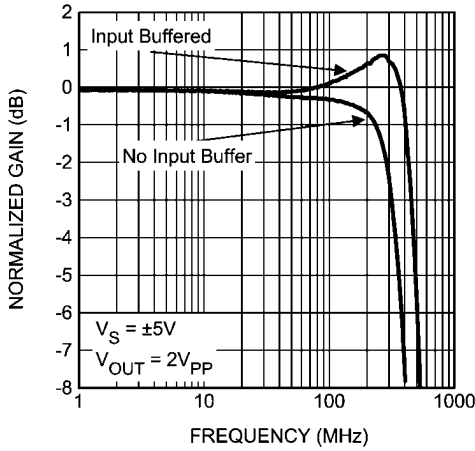
would be tied together (Input 0 on side 1 to input 31 on side 2 and so on) while the 16 output pins on each chip would be left separate. To make the 64 x 16 crosspoint, the 16 outputs would remain independent. In the 64 x 16 configuration it is important not to have two connected outputs active at the same time. With the 32 x 32 configuration, on the other hand, having two connected inputs active is a valid state. Crosspoint expansion as detailed above has the advantage that the signal path has only one crosspoint in it at a time. Expansion methods that have cascaded stages will suffer bandwidth loss far greater than the small loading effect of parallel expansion.

Output expansion is accomplished by connecting the crosspoint inputs and leaving the output pins on both chips separate. The input capacitance of the crosspoint pins is 9pF when an input is connected to one output and 12pF when an input is connected to 16 outputs. If the crosspoint is being driven by a 75Ω transmission line the bandwidth of the circuit will be limited by the RC time constant of the transmission line and the input capacitance of the two crosspoints. . In order to eliminate this bandwidth limitation it is necessary to drive the crosspoint inputs with a low impedance source. A circuit to accomplish this is show in *Figure 1*. The circuit shown in *Figure 3* will suffer severe bandwidth limitations and is not recommended.



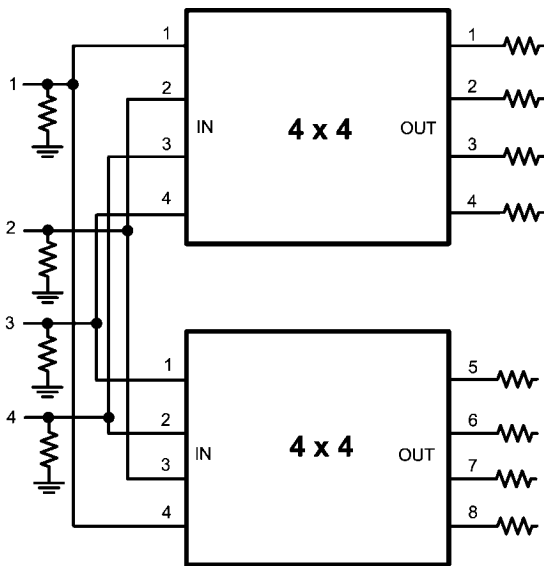
30045007

FIGURE 1. Output Expansion with Buffers



30045073

**FIGURE 2. Frequency Response for Buffered and Unbuffered Output expansion**



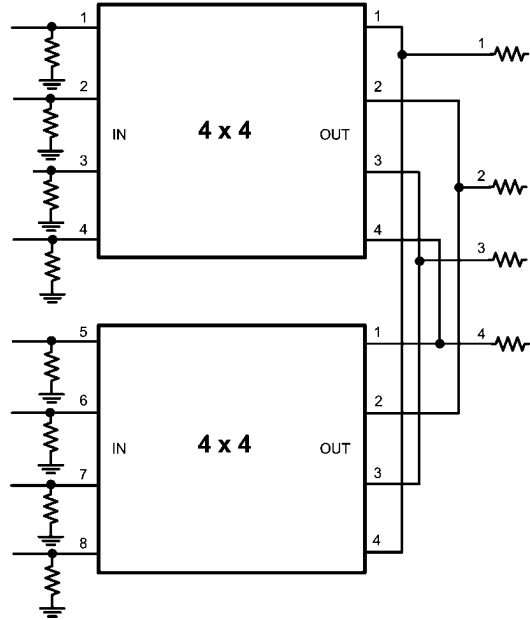
30045042

**FIGURE 3. Output Expansion no Buffers (Only 4 input and 4 output channels shown for illustration purposes.)**

Input expansion requires more planning is also quite easy, but there are two different options for arranging the output termination resistors. As show in *Figure 4* and *Figure 5* there are two ways to connect the outputs of the crosspoint switches. In *Figure 4* the crosspoint switch outputs are connected directly together and share one termination resistor. This is the easiest configuration to implement and has only one drawback. Because the disabled output of the unused crosspoint (only one output can be active at a time) has a small amount of capacitance, the frequency response of the active crosspoint will show peaking

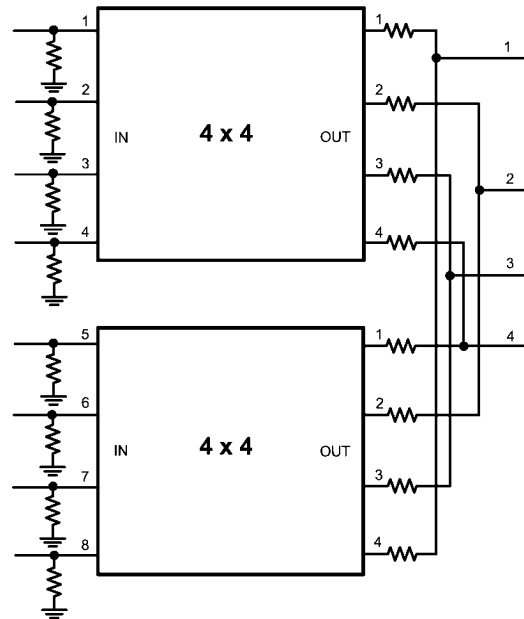
As illustrated in *Figure 5* each crosspoint output can be given its own termination resistor. This results in a frequency response nearly identical to the non expansion case. There is one drawback for the gain of 2 crosspoint, and that is gain error. With a 75Ω termination resistor the 1250Ω resistance of the disabled crosspoint output will cause a gain error. In order to counteract this the termination resistors of both cross-

points should be adjusted to approximately 71Ω. This will provide very good matching, but the gain accuracy of the system will now be dependent on the process variations of the crosspoint resistors which have a variability of approximately ±20%.



30045043

**FIGURE 4. Input Expansion with Shared Termination Resistors (Only 4 input and 4 output channels shown for illustration purposes.)**



30045044

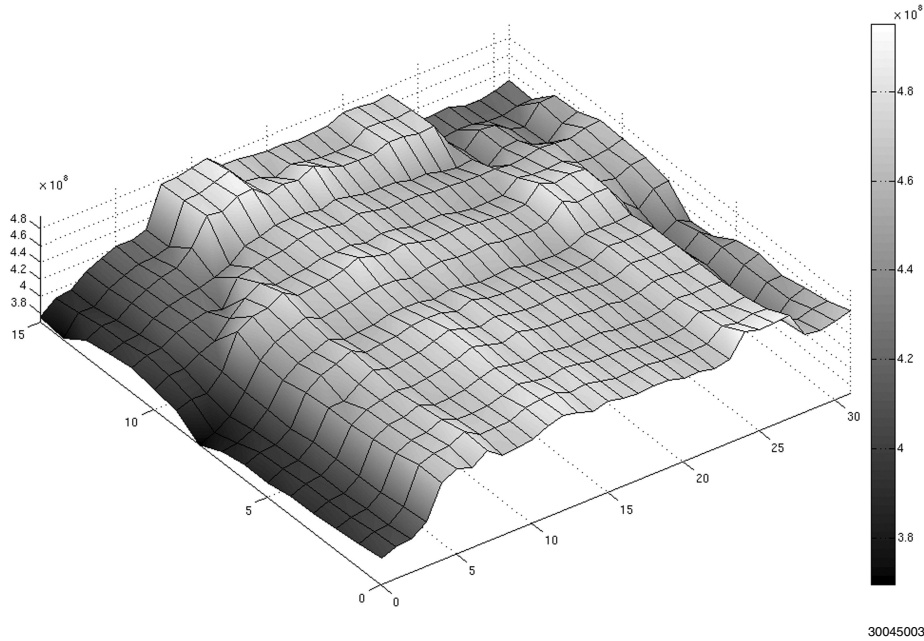
**FIGURE 5. Input Expansion with Separate Termination Resistors (Only 4 input and 4 output channels shown for illustration purposes.)**



**CHANNEL VARIATIONS**

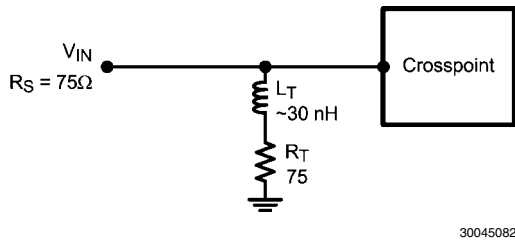
The LMH6584/LMH6584 crosspoint switches have a very large number of possible channel combinations. There is some systematic variation in channel performance. Parameters such as bandwidth and distortion have a range of values depending on which channel combination is selected. The

variation in bandwidth over all possible input/output combinations is shown in *Figure 6*. One particular pattern to note is that input channels 0 through 3 are slower than all other inputs. The use of input buffers as illustrated above can help equalize channel bandwidths.

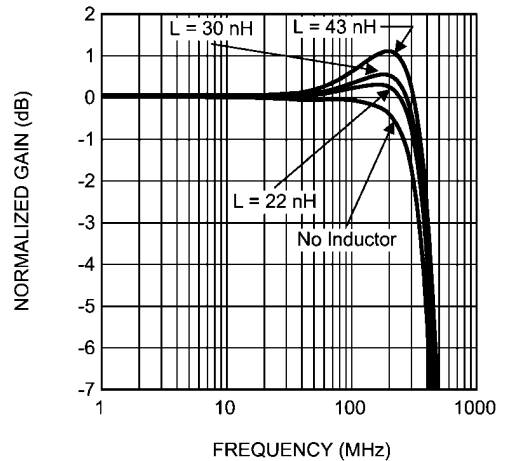


**FIGURE 6. Bandwidth Variation over Channel Combinations**

Because the inputs are the dominate factor in channel bandwidth it is possible to adjust the bandwidth of the slower inputs. One method of increasing input bandwidth is with the use of buffers as illustrated in *Figure 1*. A simpler method using a single inductor is shown below in *Figure 7*.



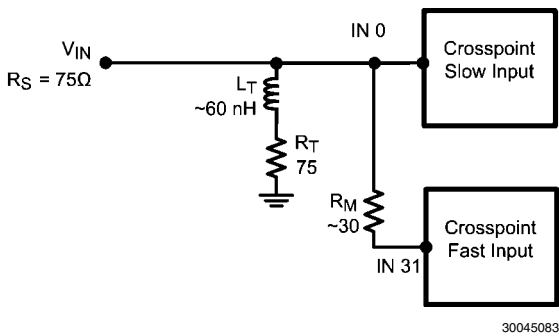
**FIGURE 7. Use of Termination Inductor to Increase Bandwidth**



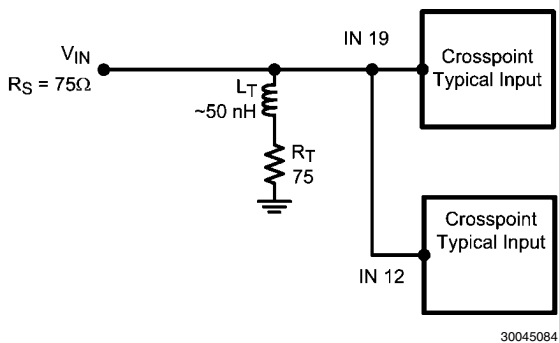
**FIGURE 8. Termination Inductor Bandwidth Enhancement Using Input 0**

The use of termination inductors can also be used when two crosspoints are used back to back for output expansion. The difference in input speeds between the opposing chips poses an additional challenge, especially if the channels that are connected together have very different performance. When connecting a slower channel (channels 0 to 3) to a faster channel the circuit shown in *Figure 9* is recommended. In this case the inductor value is chosen to bring up the slow channel bandwidth, while the resistor  $R_M$  is used to match the performance of the two channels. Larger values of  $R_M$  will slow

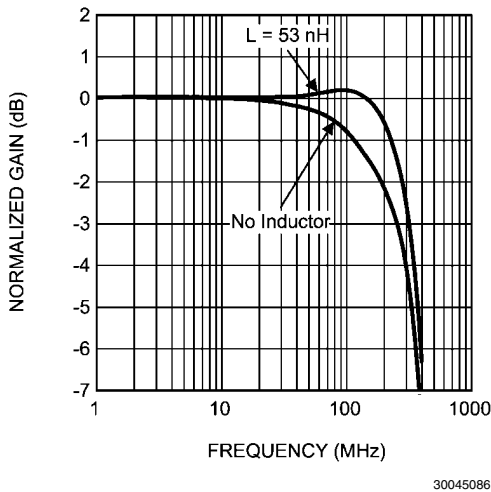
down the faster channel and reduce peaking. When the channels connected together are relatively well matched the matching resistor is not needed as shown in *Figure 10*.



**FIGURE 9. Inductor Termination with Mismatched Channels**



**FIGURE 10. Inductor Termination with Matched Channels**



**FIGURE 11. Termination Inductor Bandwidth Enhancement Using Input 0 Two LMH6585s Connected for Output Expansion**

**DRIVING CAPACITIVE LOADS**

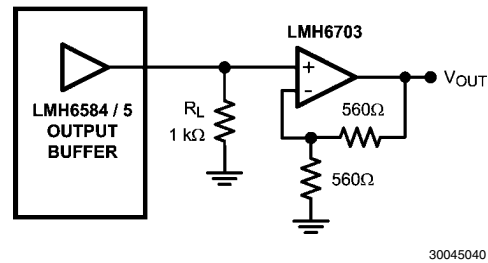
Capacitive output loading applications will benefit from the use of a series output resistor  $R_{OUT}$ . Capacitive loads of 5 pF to 120 pF are the most critical, causing ringing, frequency response peaking and possible oscillation. As starting values, a capacitive load of 5 pF should have around 75  $\Omega$  of isolation resistance. A value of 120 pF would require around 12 $\Omega$ .

When driving transmission lines the 50 $\Omega$  or 75 $\Omega$  matching resistor normally provides enough isolation.

**USING OUTPUT BUFFERING TO ENHANCE RELIABILITY**

The LMH6584/LMH6585 crosspoint switch can offer enhanced reliability with the use of external buffers on the outputs. For this technique to provide maximum benefit a very high speed amplifier such as the LMH6703 should be used, as shown in *Figure 12*.

The advantage offered by using external buffers is to reduce thermal loading on the crosspoint switch. This reduced die temperature will increase the life of the crosspoint. Another advantage is enhanced ESD reliability. It is very difficult to build high speed devices that can withstand all possible ESD events. With external buffers the crosspoint switch is isolated from ESD events on the external system connectors.



**FIGURE 12. Buffered Output**

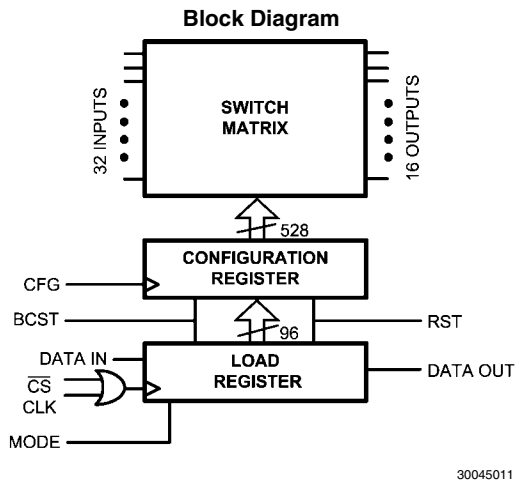
In the example in *Figure 12* the resistor  $R_L$  is required to provide a load for the crosspoint output buffer. Without  $R_L$  excessive frequency response peaking is likely and settling times of transient signals will be poor. As the value of  $R_L$  is reduced the bandwidth will also go down. The amplifier shown in the example is an LMH6703 this amplifier offers high speed and flat bandwidth. Another suitable amplifier is the LMH6702. The LMH6702 is a faster amplifier that can be used to generate high frequency peaking in order to equalize longer cable lengths. If board space is at a premium the LMH6739 or the LMH6734 are triple selectable gain buffers which require no external resistors.

**CROSSTALK**

When designing a large system such as a video router, crosstalk can be a very serious problem. Extensive testing in our lab has shown that most crosstalk is related to board layout rather than the crosspoint switch. There are many ways to reduce board related crosstalk. Using controlled impedance lines is an important step. Using well decoupled power and ground planes will help as well. When crosstalk does occur within the crosspoint switch itself it is often due to signals coupling into the power supply pins. Using appropriate supply bypassing will help to reduce this mode of coupling. Another suggestion is to place as much grounded copper as possible between input and output signal traces. Care must be taken, though, not to influence the signal trace impedances by placing shielding copper too closely. One other caveat to consider is that as shielding materials come closer to the signal trace the trace needs to be smaller to keep the impedance from falling too low. Using thin signal traces will result in unacceptable losses due to trace resistance. This effect becomes even more pronounced at higher frequencies due to the skin effect. The skin effect reduces the effective thickness of the trace as frequency increases. Resistive losses make crosstalk worse because as the desired signal is attenuated

with higher frequencies crosstalk increases at higher frequencies.

## DIGITAL CONTROL



**FIGURE 13. Block Diagram**

The LMH6584/LMH6585 has internal control registers that store the programming states of the crosspoint switch. The logic is two staged to allow for maximum programming flexibility. The first stage of the control logic is tied directly to the crosspoint switching matrix. This logic consists of one register for each output that stores the on/off state and the address of which input to connect to. These registers are not directly accessible by the user. The second level of logic is another bank of registers identical to the first, but set up as shift registers. These registers are accessed by the user via the serial input bus. As described further below, there are two modes for programming the LMH6584/LMH6585, Serial Mode and Addressed Mode.

The LMH6584/LMH6585 are programmed via a serial input bus with the support of four other digital control pins. The serial bus consists of a clock pin (CLK), a serial data in pin ( $D_{IN}$ ), and a serial data out pin ( $D_{OUT}$ ). The serial bus is gated by a chip select pin (CS). The chip select pin is active low. While the chip select pin is high all data on the serial input pin and clock pins is ignored. When the chip select pin is brought low the internal logic is set to begin receiving data by the first positive transition (0 to 1) of the clock signal. The chip select pin must be brought low at least 5 ns before the first rising edge of the clock signal. The first data bit is clocked in on the next negative transition (1 to 0) of the clock signal. All input data is read from the bus on the negative edge of the clock signal. Once the last valid data has been clocked in, the chip select pin must go high then the clock signal must make at least one more low to high transition. Otherwise invalid data will be clocked into the chip. The data clocked into the chip is not transferred to the crosspoint matrix until the CFG pin is pulsed high. This is the case regardless of the state of the MODE pin. The CFG pin is not dependent on the state of the chip select pin. If no new data is clocked into the chip subsequent pulses on the CFG pin will have no affect on device operation.

The programming format of the incoming serial data is selected by the MODE pin. When the MODE pin is HIGH the crosspoint can be programmed one output at a time by entering a string of data that contains the address of the output that is going to be changed (Addressed Mode). When the MODE pin is LOW the crosspoint is in Serial Mode. In this mode the crosspoint accepts a 40 bit array of data that programs all of the outputs. In both modes the data fed into the chip does not change the chip operation until the configure pin is pulsed high. The configure and mode pins are independent of the chip select pin.

### THREE WIRE VS. FOUR WIRE CONTROL

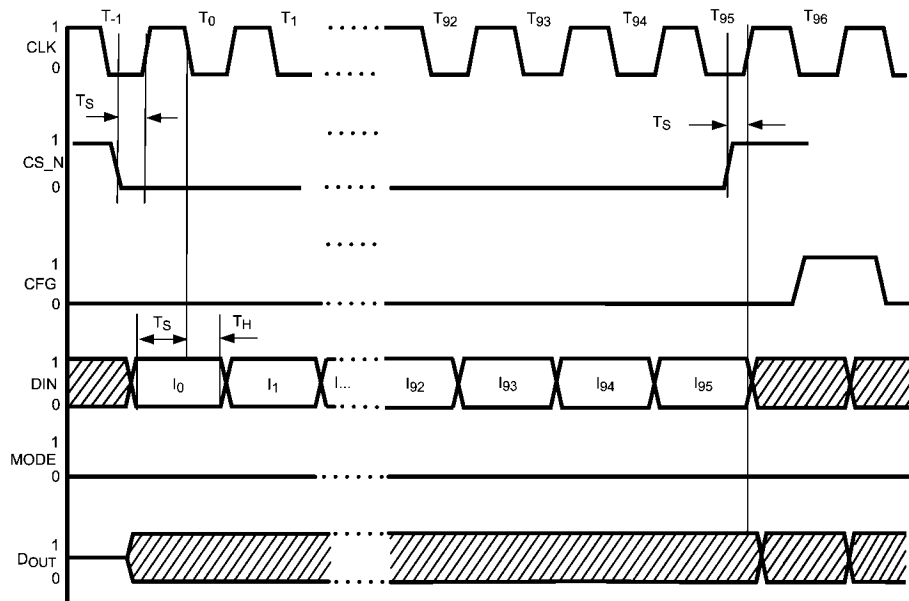
There are two ways to connect the serial data pins. The first way is to control all four pins separately, and the second option is to connect the CFG and the CS pins together for a three wire interface. The benefit of the four wire interface is that the chip can be configured independently of the CS pin. This would be an advantage in a system with multiple crosspoint chips where all of them could be programmed ahead of time and then configured simultaneously. The four wire solution is also helpful in a system that has a free running clock on the CLK pin. In this case, the CS pin needs to be brought high after the last valid data bit to prevent invalid data from being clocked into the chip.

The three wire option provides the advantage of one less pin to control at the expense of having less flexibility with the configure pin. One way around this loss of flexibility would be if the clock signal is generated by an FPGA or microcontroller where the clock signal can be stopped after the data is clocked in. In this case the Chip Select function is provided by the presence or absence of the clock signal.

### SERIAL PROGRAMMING MODE

Serial programming mode is the mode selected by bringing the MODE pin low. In this mode a stream of 96-bits programs all 16 outputs of the crosspoint. The data is fed to the chip as shown in the Serial Mode Data Frame tables below (four tables are shown to illustrate the pattern). The tables are arranged such that the first bit clocked into the crosspoint register is labeled bit number 0. The register labeled Load Register in the block diagram is a shift register. If the chip select pin is left low after the valid data is shifted into the chip and if the clock signal keeps running then additional data will be shifted into the register, and the desired data will be shifted out.

Also illustrated are the timing relationships for the digital pins in the Timing Diagram for Serial Mode shown below. It is important to note that all the pin timing relationships are important, not just the data and clock pins. One example is that the Chip Select pin (CS) must transition low before the first rising edge of the clock signal. This allows the internal timing circuits to synchronize to allow data to be accepted on the next falling edge. After the final data bit has been clocked in, the chip select pin must go high, then the clock signal must make at least one more low to high transition. As shown in the timing diagram, the chip select pin state should always occur while the clock signal is low. The configure (CFG) pin timing is not so critical, but it does need to be kept low until all data has been shifted into the crosspoint registers.



Timing Diagram for Serial Mode

30045009

### Serial Mode Data Frame (First Two Words)

Output 0					Output 1						
Input Address					On = 0	Input Address					On = 0
LSB				MSB	Off = 1	LSB				MSB	Off = 1
0	1	2	3	4	5	6	7	8	9	10	11

Off = TRI-STATE®, Bit 0 is first bit clocked into device.

### Serial Mode Data Frame (Continued)

Output 2					Output 3						
Input Address					On = 0	Input Address					On = 0
LSB				MSB	Off = 1	LSB				MSB	Off = 1
12	13	14	15	16	17	18	19	20	21	22	23

### Serial Mode Data Frame (Continued)

Output 12					Output 13						
Input Address					On = 0	Input Address					On = 0
LSB				MSB	Off = 1	LSB				MSB	Off = 1
72	73	74	75	76	77	78	79	80	81	82	83

### Serial Mode Data Frame (Last Two Words)

Output 14					Output 15						
Input Address					On = 0	Input Address					On = 0
LSB				MSB	Off = 1	LSB				MSB	Off = 1
84	85	86	87	88	89	90	91	92	93	94	95

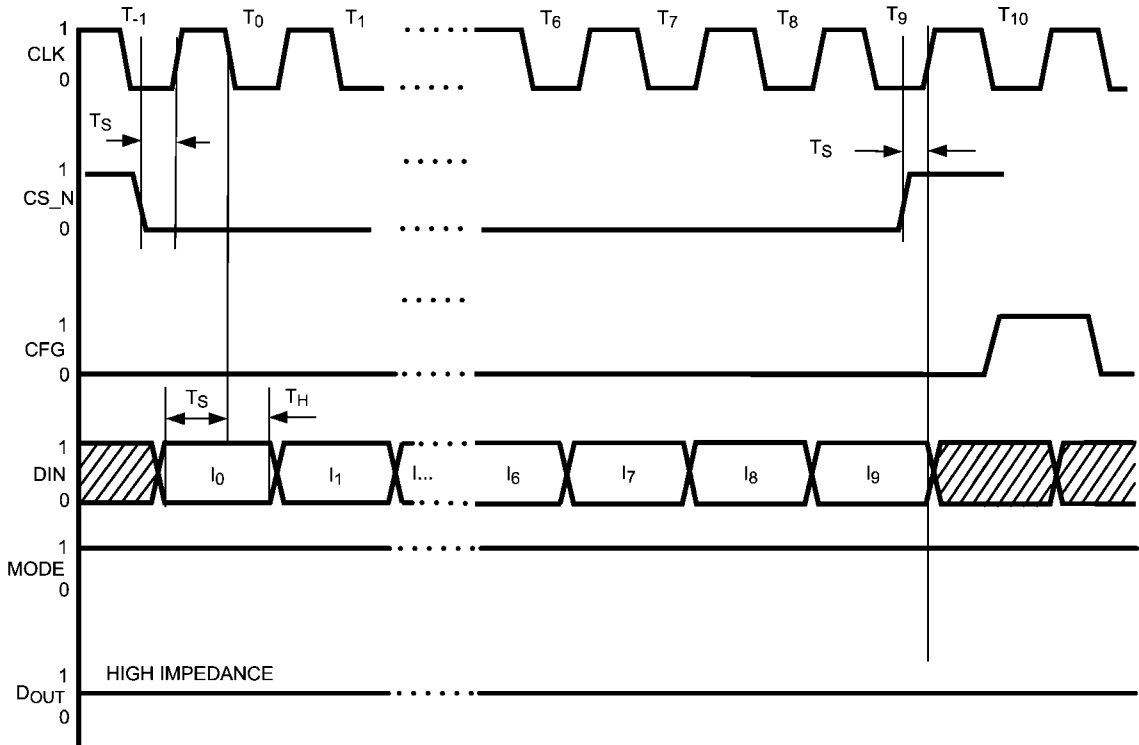
Bit 39 is last bit clocked into device.

**ADDRESSED PROGRAMMING MODE**

Addressed programming mode makes it possible to change only one output register at a time. To utilize this mode the mode pin must be High. All other pins function the same as in serial programming mode except that the word clocked in is 8 bits and is directed only at the output specified. In addressed mode the data format is shown in the table titled Addressed Mode Word Format.

Also illustrated are the timing relationships for the digital pins in the Timing Diagram for Addressed Mode. It is important to note that all the pin timing relationships are important, not just

the data and clock pins. One example is that the Chip Select pin (CS) must transition low before the first rising edge of the clock signal. This allows the internal timing circuits to synchronize to allow data to be accepted on the next falling edge. After the final data bit has been clocked in, the chip select pin must go high, then the clock signal must make at least one more low to high transition. As shown in the timing diagram, the Chip Select pin state should always occur while the clock signal is low. The configure (CFG) pin timing is not so critical, but it does need to be kept low until all data has been shifted into the crosspoint registers.



Timing Diagram for Addressed Mode

30045010

**Addressed Mode Word Format**

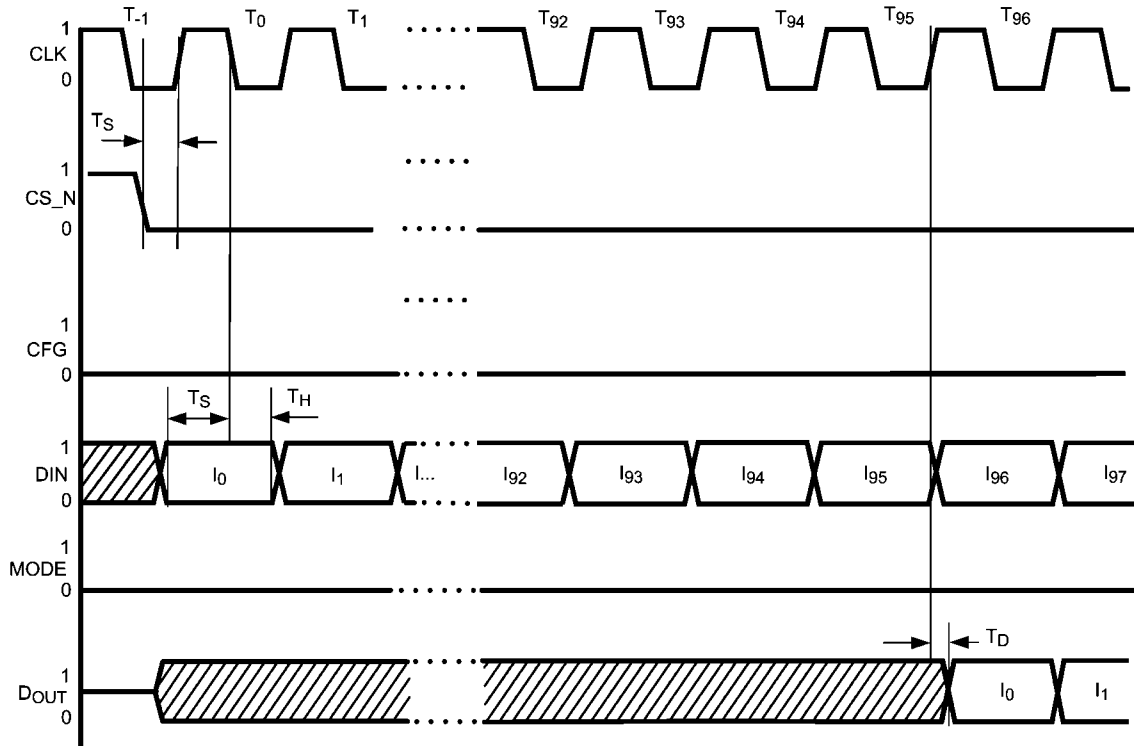
Output Address				Input Address					TRI-STATE
LSB			MSB	LSB				MSB	1 = TRI-STATE 0 = On
0	1	2	3	4	5	6	7	8	9

Bit 0 is first bit clocked into device.

**DAISY CHAIN OPTION IN SERIAL MODE**

The LMH6584/LMH6585 support daisy chaining of the serial data stream between multiple chips. This feature is available only in the Serial Programming Mode. To use this feature serial data is clocked into the first chip  $D_{IN}$  pin, and the next chip  $D_{IN}$  pin is connected to the  $D_{OUT}$  pin of the first chip. Both chips may share a Chip Select signal, or the second chip can be enabled separately. When the Chip Select pin goes low on both chips a double length word is clocked into the first chip. As the first word is clocking into the first chip, the second chip is receiving the data that was originally in the shift register of

the first chip (invalid data). When a full 96 bits have been clocked into the first chip the next clock cycle begins moving the first frame of the new configuration data into the second chip. With a full 192 clock cycles both chips have valid data and the Chip Select pin of both chips should be brought high to prevent the data from overshooting. A configure pulse will activate the new configuration on both chips simultaneously, or each chip can be configured separately. The mode, Chip Select, configure, and clock pins of both chips can be tied together and driven from the same sources.



**Timing Diagram for Daisy Chain Operation**

30045012

**SPECIAL CONTROL PINS**

The LMH6584/LMH6585 have two special control pins that function independent of the serial control bus. One of these pins is the reset (RST) pin. The RST pin is active high meaning that at a logic 1 level the chip is configured with all outputs disabled and in a high impedance state. The RST pin programs all the registers with input address 0 and all the outputs are turned off. In this configuration the device draws only 40 mA. The reset pin can be used as a shutdown function to reduce power consumption. The other special control pin is the broadcast (BCST) pin. The BCST pin is also active high and sets all the outputs to the on state connected to input 0. Both of these pins are level sensitive and require no clock signal. The two special control pins overwrite the contents of the configuration register.

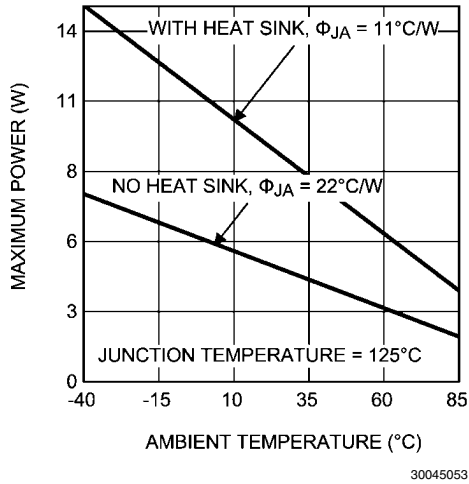
**THERMAL MANAGEMENT**

The LMH6584/LMH6585 are high performance device that produces a significant amount of heat. With a  $\pm 5V$  supply, the LMH6584/LMH6585 will dissipate approximately 2W of idling power with all outputs enabled. Idling power is calculated based on the typical supply current of 200 mA and a 10V supply voltage. This power dissipation will vary within the range of 1.8W to 2.2W due to process variations. In addition, each equivalent video load ( $150\Omega$ ) connected to the outputs

should be budgeted 30 mW of power. For a typical application with one video load for each output this would be a total power of 2.5W. With a typical  $\theta_{JA}$  of  $22^\circ C/W$  this will result in the silicon being  $55^\circ C$  over the ambient temperature. A more aggressive application would be two video loads per output which would result in 3W of power dissipation. This would result in a  $66^\circ C$  temperature rise. The QFP package thermal performance can be significantly enhanced with an external heat sink and by providing for moving air ventilation. Also, be sure to calculate the increase in ambient temperature from all devices operating in the system case. Because of the high power output of this device, thermal management should be considered very early in the design process. Generous passive venting and vertical board orientation may avoid the need for fan cooling provided a large heat sink is used. Also, the LMH6584/LMH6585 can be operated with a  $\pm 3.3V$  power supply. This will cut power dissipation substantially while only reducing bandwidth by about 10% ( $2 V_{PP}$  output). The LMH6584/LMH6585 are fully characterized and factory tested at the  $\pm 3.3V$  power supply condition for applications where reduced power is desired.

The recommended heat sink is AAVD/Thermalloy part # 375024B60024G. This heat sink is designed to be used with solder anchors #125700D00000G. This heat sink is larger than the LMH6584/LMH6585 package in order to provide

maximum heat dissipation, a smaller heat sink can be selected if forced air circulation will be used. With natural convection the heat sink will reduce the  $\theta_{JA}$  from  $22^{\circ}\text{C}/\text{W}$  to approximately  $11^{\circ}\text{C}/\text{W}$ . Using a fan will increase the effectiveness of the heat sink considerably by reducing  $\theta_{JA}$  to approximately  $5^{\circ}\text{C}/\text{W}$ . When doing thermal design it is important to note that everything from board layout to case material and case venting will impact the actual  $\theta_{JA}$  of the total system. The  $\theta_{JA}$  specified in the datasheet is for a typical board layout with external case enclosing the board.



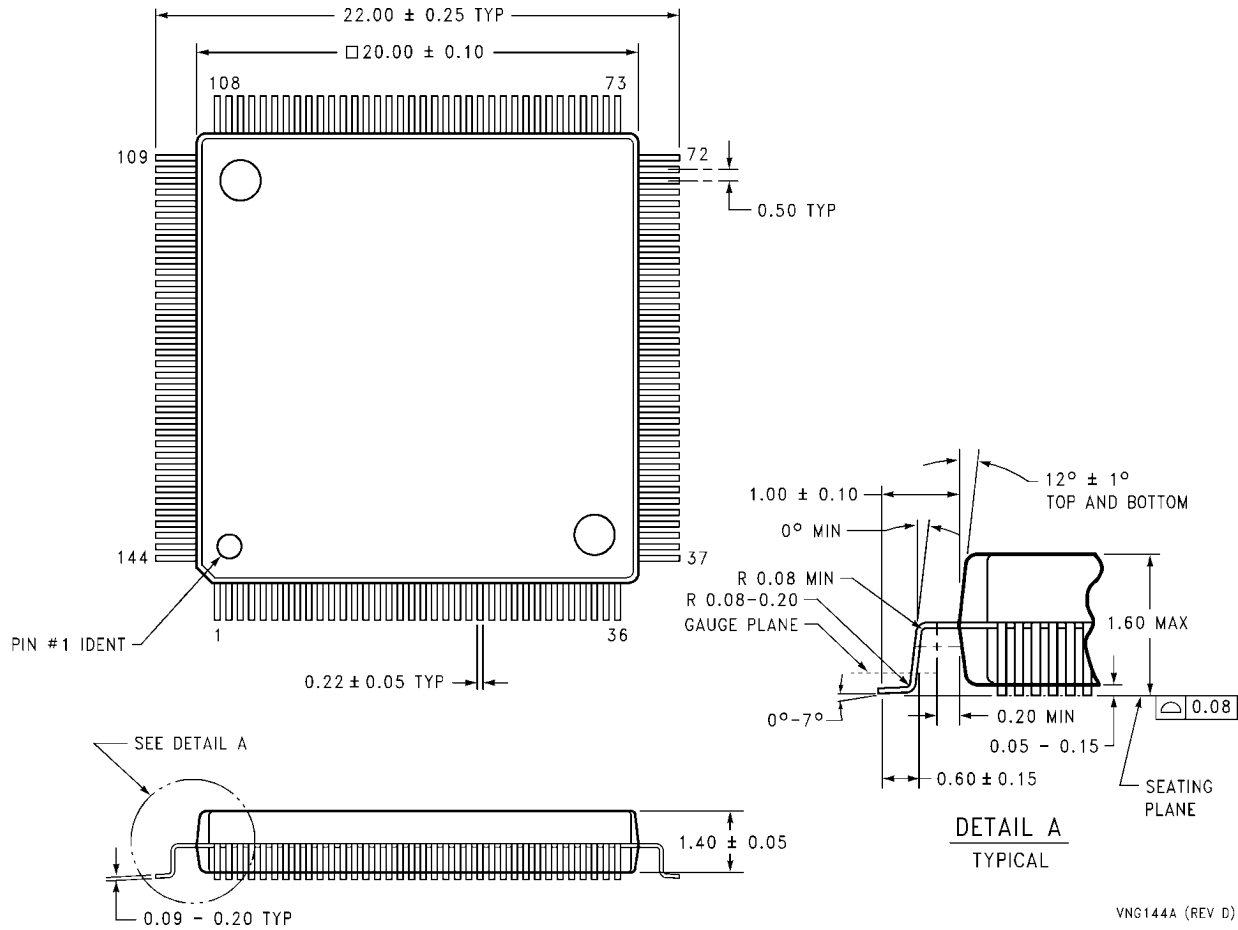
**FIGURE 14. Maximum Dissipation vs. Ambient Temperature**

## PRINTED CIRCUIT LAYOUT

The LMH6584/ LMH6585 crosspoint switches are offered in a layout friendly LQFP package. With leads around the device periphery it is easier to place termination resistors and decoupling capacitors close to the device leads. Keeping power and signal traces short is crucial to high frequency performance.

Generally, a good high frequency layout will keep power supply and ground traces away from the input and output pins. Parasitic capacitances on these nodes to ground will cause frequency response peaking and possible circuit oscillations (see Application Note OA-15 for more information). If digital control lines must cross analog signal lines (particularly inputs) it is best if they cross perpendicularly. National Semiconductor suggests the following evaluation boards as a guide for high frequency layout and as an aid in device testing and characterization National Semiconductor offers an evaluation board which can be found on the LMH6584 and LMH6585 Product Folder.

**Physical Dimensions** inches (millimeters) unless otherwise noted



**144-Pin LQFP**  
**NS Package Number VNG144C**

VNG144A (REV D)



## Notes

For more National Semiconductor product information and proven design tools, visit the following Web sites at:

Products		Design Support	
Amplifiers	<a href="http://www.national.com/amplifiers">www.national.com/amplifiers</a>	WEBENCH	<a href="http://www.national.com/webench">www.national.com/webench</a>
Audio	<a href="http://www.national.com/audio">www.national.com/audio</a>	Analog University	<a href="http://www.national.com/AU">www.national.com/AU</a>
Clock Conditioners	<a href="http://www.national.com/timing">www.national.com/timing</a>	App Notes	<a href="http://www.national.com/appnotes">www.national.com/appnotes</a>
Data Converters	<a href="http://www.national.com/adc">www.national.com/adc</a>	Distributors	<a href="http://www.national.com/contacts">www.national.com/contacts</a>
Displays	<a href="http://www.national.com/displays">www.national.com/displays</a>	Green Compliance	<a href="http://www.national.com/quality/green">www.national.com/quality/green</a>
Ethernet	<a href="http://www.national.com/ethernet">www.national.com/ethernet</a>	Packaging	<a href="http://www.national.com/packaging">www.national.com/packaging</a>
Interface	<a href="http://www.national.com/interface">www.national.com/interface</a>	Quality and Reliability	<a href="http://www.national.com/quality">www.national.com/quality</a>
LVDS	<a href="http://www.national.com/lvds">www.national.com/lvds</a>	Reference Designs	<a href="http://www.national.com/refdesigns">www.national.com/refdesigns</a>
Power Management	<a href="http://www.national.com/power">www.national.com/power</a>	Feedback	<a href="http://www.national.com/feedback">www.national.com/feedback</a>
Switching Regulators	<a href="http://www.national.com/switchers">www.national.com/switchers</a>		
LDOs	<a href="http://www.national.com/lido">www.national.com/lido</a>		
LED Lighting	<a href="http://www.national.com/led">www.national.com/led</a>		
PowerWise	<a href="http://www.national.com/powerwise">www.national.com/powerwise</a>		
Serial Digital Interface (SDI)	<a href="http://www.national.com/sdi">www.national.com/sdi</a>		
Temperature Sensors	<a href="http://www.national.com/tempsensors">www.national.com/tempsensors</a>		
Wireless (PLL/VCO)	<a href="http://www.national.com/wireless">www.national.com/wireless</a>		

THE CONTENTS OF THIS DOCUMENT ARE PROVIDED IN CONNECTION WITH NATIONAL SEMICONDUCTOR CORPORATION ("NATIONAL") PRODUCTS. NATIONAL MAKES NO REPRESENTATIONS OR WARRANTIES WITH RESPECT TO THE ACCURACY OR COMPLETENESS OF THE CONTENTS OF THIS PUBLICATION AND RESERVES THE RIGHT TO MAKE CHANGES TO SPECIFICATIONS AND PRODUCT DESCRIPTIONS AT ANY TIME WITHOUT NOTICE. NO LICENSE, WHETHER EXPRESS, IMPLIED, ARISING BY ESTOPPEL OR OTHERWISE, TO ANY INTELLECTUAL PROPERTY RIGHTS IS GRANTED BY THIS DOCUMENT.

TESTING AND OTHER QUALITY CONTROLS ARE USED TO THE EXTENT NATIONAL DEEMS NECESSARY TO SUPPORT NATIONAL'S PRODUCT WARRANTY. EXCEPT WHERE MANDATED BY GOVERNMENT REQUIREMENTS, TESTING OF ALL PARAMETERS OF EACH PRODUCT IS NOT NECESSARILY PERFORMED. NATIONAL ASSUMES NO LIABILITY FOR APPLICATIONS ASSISTANCE OR BUYER PRODUCT DESIGN. BUYERS ARE RESPONSIBLE FOR THEIR PRODUCTS AND APPLICATIONS USING NATIONAL COMPONENTS. PRIOR TO USING OR DISTRIBUTING ANY PRODUCTS THAT INCLUDE NATIONAL COMPONENTS, BUYERS SHOULD PROVIDE ADEQUATE DESIGN, TESTING AND OPERATING SAFEGUARDS.

EXCEPT AS PROVIDED IN NATIONAL'S TERMS AND CONDITIONS OF SALE FOR SUCH PRODUCTS, NATIONAL ASSUMES NO LIABILITY WHATSOEVER, AND NATIONAL DISCLAIMS ANY EXPRESS OR IMPLIED WARRANTY RELATING TO THE SALE AND/OR USE OF NATIONAL PRODUCTS INCLUDING LIABILITY OR WARRANTIES RELATING TO FITNESS FOR A PARTICULAR PURPOSE, MERCHANTABILITY, OR INFRINGEMENT OF ANY PATENT, COPYRIGHT OR OTHER INTELLECTUAL PROPERTY RIGHT.

### LIFE SUPPORT POLICY

**NATIONAL'S PRODUCTS ARE NOT AUTHORIZED FOR USE AS CRITICAL COMPONENTS IN LIFE SUPPORT DEVICES OR SYSTEMS WITHOUT THE EXPRESS PRIOR WRITTEN APPROVAL OF THE CHIEF EXECUTIVE OFFICER AND GENERAL COUNSEL OF NATIONAL SEMICONDUCTOR CORPORATION.** As used herein:

Life support devices or systems are devices which (a) are intended for surgical implant into the body, or (b) support or sustain life and whose failure to perform when properly used in accordance with instructions for use provided in the labeling can be reasonably expected to result in a significant injury to the user. A critical component is any component in a life support device or system whose failure to perform can be reasonably expected to cause the failure of the life support device or system or to affect its safety or effectiveness.

National Semiconductor and the National Semiconductor logo are registered trademarks of National Semiconductor Corporation. All other brand or product names may be trademarks or registered trademarks of their respective holders.

Copyright© 2008 National Semiconductor Corporation

For the most current product information visit us at [www.national.com](http://www.national.com)



**National Semiconductor Americas Technical Support Center**  
 Email: [support@nsc.com](mailto:support@nsc.com)  
 Tel: 1-800-272-9959

**National Semiconductor Europe Technical Support Center**  
 Email: [europe.support@nsc.com](mailto:europe.support@nsc.com)  
 German Tel: +49 (0) 180 5010 771  
 English Tel: +44 (0) 870 850 4288

**National Semiconductor Asia Pacific Technical Support Center**  
 Email: [ap.support@nsc.com](mailto:ap.support@nsc.com)

**National Semiconductor Japan Technical Support Center**  
 Email: [jpn.feedback@nsc.com](mailto:jpn.feedback@nsc.com)