

VSC3308

11.5 Gbps 8 × 8 Crosspoint Switch

Microsemi's multichannel 11.5 Gbps crosspoint switch provides a cost-effective solution for high-speed copper interconnects.

The VSC3308 is an advanced signal conditioning crosspoint switch solution uniquely capable of addressing a wide array of asynchronous, physical layer switching, and routing applications across storage, server, video, communications, and other industries. Featuring an 8 × 8 non-blocking, multicasting switch core with ports running at any rate up to 11.5 Gbps, the VSC3308 architecture provides protocol-transparent operation, allowing each channel to run independently.

The device supports virtually all standard and proprietary data protocols up to the maximum data rate. VSC3308 incorporates Microsemi's fourth-generation input equalization and pre-emphasis I/O capability engineered to overcome channel impairments experienced in today's high-density systems at multi-gigabit data rates. The device can perform signal fanout, loopback, and protection switching. It can also regenerate signals compromised by losses in the transmission medium. Microsemi's equalization works independently of the data rate, providing highly effective compensation for deterministic jitter across a wide range of high-speed interconnect applications.

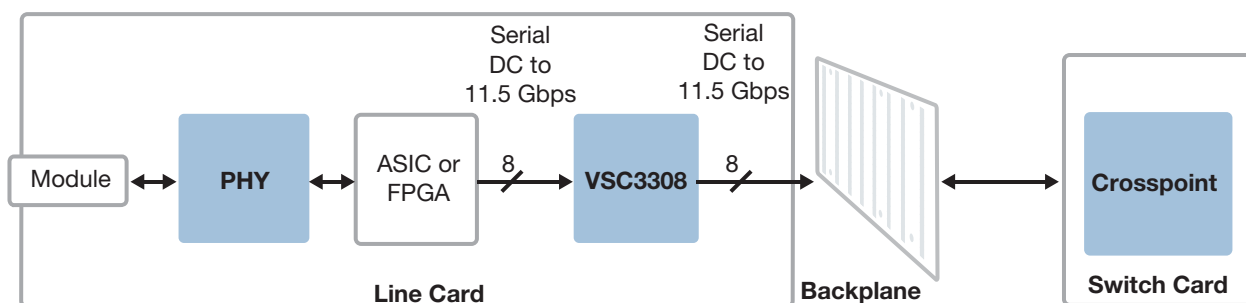
Highlights

- DC to 11.5 Gbps operation
- 8 × 8 fully non-blocking switch capability
- Protocol-transparent operation
- Advanced input equalization and output pre-emphasis

Applications

- Servers
- Storage
- Telecom
- Broadcast video switching/routing
- HDMI/DVI/DisplayPort switching/routing
- Test and measurement

VSC3308 Line Card Application



VSC3308

11.5 Gbps 8 × 8 Crosspoint Switch

Speed and Protocol Support

- 11.5 Gbps non-return-to-zero (NRZ) data bandwidth
- Protocol-transparent

Architecture

- Fully non-blocking and multicasting switch core
- LOS detection and forwarding (supports out-of-band signaling)
- Fully asynchronous operation with <1 ns latency
- 8 × 8 switch core enables signal fanout, loopback, and protection switching

Signal Integrity

- Multiple time-constant programmable input and output equalization
- Wide equalization adjustment range
- Input EQ up to 26 dB
- 9 dB of pre-emphasis

Key Specifications

- 11.5 Gbps NRZ per channel data rate
- 2.5 V power supply
- 10 mm × 10 mm flip chip ball grid array package

Related Products

Visit www.microsemi.com for information about these related products:

- Crosspoint switches
- Ethernet MACs
- Mux, demux, and transceivers
- Electronic dispersion compensation CDRs

