

ON Semiconductor

Is Now

onsemi™

To learn more about onsemi™, please visit our website at
www.onsemi.com

onsemi and **onsemi** and other names, marks, and brands are registered and/or common law trademarks of Semiconductor Components Industries, LLC dba "**onsemi**" or its affiliates and/or subsidiaries in the United States and/or other countries. **onsemi** owns the rights to a number of patents, trademarks, copyrights, trade secrets, and other intellectual property. A listing of **onsemi** product/patent coverage may be accessed at www.onsemi.com/site/pdf/Patent-Marking.pdf. **onsemi** reserves the right to make changes at any time to any products or information herein, without notice. The information herein is provided "as-is" and **onsemi** makes no warranty, representation or guarantee regarding the accuracy of the information, product features, availability, functionality, or suitability of its products for any particular purpose, nor does **onsemi** assume any liability arising out of the application or use of any product or circuit, and specifically disclaims any and all liability, including without limitation special, consequential or incidental damages. Buyer is responsible for its products and applications using **onsemi** products, including compliance with all laws, regulations and safety requirements or standards, regardless of any support or applications information provided by **onsemi**. "Typical" parameters which may be provided in **onsemi** data sheets and/or specifications can and do vary in different applications and actual performance may vary over time. All operating parameters, including "Typicals" must be validated for each customer application by customer's technical experts. **onsemi** does not convey any license under any of its intellectual property rights nor the rights of others. **onsemi** products are not designed, intended, or authorized for use as a critical component in life support systems or any FDA Class 3 medical devices or medical devices with a same or similar classification in a foreign jurisdiction or any devices intended for implantation in the human body. Should Buyer purchase or use **onsemi** products for any such unintended or unauthorized application, Buyer shall indemnify and hold **onsemi** and its officers, employees, subsidiaries, affiliates, and distributors harmless against all claims, costs, damages, and expenses, and reasonable attorney fees arising out of, directly or indirectly, any claim of personal injury or death associated with such unintended or unauthorized use, even if such claim alleges that **onsemi** was negligent regarding the design or manufacture of the part. **onsemi** is an Equal Opportunity/Affirmative Action Employer. This literature is subject to all applicable copyright laws and is not for resale in any manner. Other names and brands may be claimed as the property of others.



ON Semiconductor®

FSA1208

Low-Power, Eight-Port, High-Speed Isolation Switch

Features

- Low On Capacitance: 6 pF Typical
- Low On Resistance: 15 Ω Typical
- Low Power Consumption: 1 A Maximum
- 10 μA Maximum I_{CC}T over an Expanded Voltage Range (V_{IN}=2.3 V, V_{CC}=4.3 V)
- Wide -3 dB Bandwidth: > 400 MHz
- Packaged in Space-Saving 20-Lead MLP (2.5 x 4.5 mm)
- 7.5 kV ESD Rating; >16 kV Power/GND ESD Rating
- Low C_{OFF} Capacitance: 2.5 pF Typical

Applications

- DIMM DDR Memory

Description

The FSA1208 is a low-power, eight-port, high-speed switch. This part is configured as a single-pole, single-throw switch and is optimized for isolating a high-speed source, such as a DDR memory bus. The FSA1208 features an extremely low on capacitance (C_{ON}) of 6 pF. Superior channel-to-channel crosstalk minimizes interference.

The FSA1208 contains special circuitry on the A & B pins that allows the device to withstand an over-voltage condition. This device is also designed to minimize current consumption even when the control voltage applied to the /OE pin is lower than the supply voltage (V_{CC}). Applications include port isolation and switching in DDR memory modules, portable cell phones, PDAs, digital cameras, printers, and notebook computers.

Ordering Information

Part Number	Top Mark	Operating Temperature Range	Package
FSA1208BQX	F1208	-40 to +85°C	20-Lead, Quad, Molded Leadless Package (MLP), 2.5 x 4.5 mm

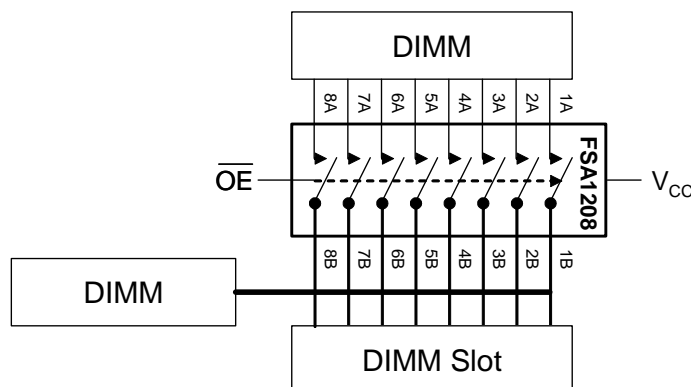


Figure 1. Analog Symbol

Pin Configurations

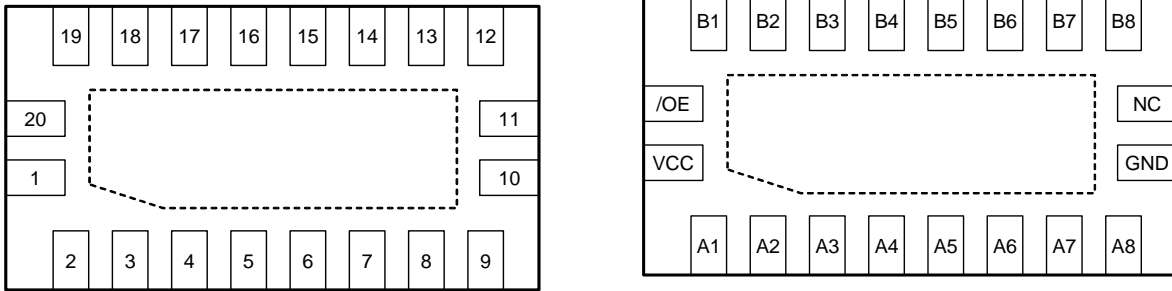


Figure 2. Pin Assignments for MLP (Top Through View)

Pin Definitions

Pin #	Name	Description
20	/OE	Switch Enable
2-9	A1-A8	A Side of Bus
12-19	B8-B1	B Side of Bus
11	NC	No Connection
1	VCC	Power
10	GND	Ground

Truth Table

/OE	Function
HIGH	Disconnect
LOW	A1-A8=B1-B8

Absolute Maximum Ratings

Stresses exceeding the absolute maximum ratings may damage the device. The device may not function or be operable above the recommended operating conditions and stressing the parts to these levels is not recommended. In addition, extended exposure to stresses above the recommended operating conditions may affect device reliability. The absolute maximum ratings are stress ratings only.

Symbol	Parameter	Min.	Max.	Unit	
V_{CC}	Supply Voltage	-0.50	+5.25	V	
V_{CNTRL}	DC Input Voltage (/OE) ⁽¹⁾	-0.50	V_{CC}	V	
V_{SW}	DC Switch I/O Voltage ⁽¹⁾	-0.50	5.25	V	
I_{IK}	DC Input Diode Current	-50		mA	
I_{OUT}	DC Output Current		50	mA	
T_{STG}	Storage Temperature	-65	+150	°C	
ESD	Human Body Model, JEDEC: JESD22-A114	All Pins		7.5	kV
		I/O to GND		8	
		Power to GND		16	
	Charged Device Model, JEDEC: JESD22-C101			2	

Note:

- The input and output negative ratings may be exceeded if the input and output diode current ratings are observed.

Recommended Operating Conditions

The Recommended Operating Conditions table defines the conditions for actual device operation. Recommended operating conditions are specified to ensure optimal performance to the datasheet specifications. ON Semiconductor does not recommend exceeding them or designing to Absolute Maximum Ratings.

Symbol	Parameter	Min.	Max.	Unit
V_{CC}	Supply Voltage	2.3	4.3	V
$V_{CNTRL}^{(2)}$	Control Input Voltage (S, /OE)	0	V_{CC}	V
V_{SW}	Switch I/O Voltage	-0.5	V_{CC}	V
T_A	Operating Temperature	-40	+85	°C

Note:

- The control input must be held HIGH or LOW; it must not float.

DC Electrical Characteristics

All typical values are at 25°C unless otherwise specified.

Symbol	Parameter	Conditions	V _{CC} (V)	T _A =- 40°C to +85°C			Units
				Min.	Typ.	Max.	
V _{IK}	Clamp Diode Voltage	I _{IN} =18 mA	2.5			-1.2	V
V _{IH}	Input Voltage High		2.3 to 3.6	1.3			V
			4.3	1.7			V
V _{IL}	Input Voltage Low		2.3 to 3.6			0.5	V
			4.3			0.7	V
I _{IN}	Control Input Leakage	V _{SW} =0 to V _{CC}	4.3	-1		1	μA
I _{OZ}	Off State Leakage	0 ≤ A, B ≤ 3.6 V	4.3	-2		2	μA
R _{ON}	Switch On Resistance ⁽³⁾	V _{SW} =0 V, I _{ON} =-10 mA Figure 3	2.5		7		Ω
		V _{SW} =1.8 V, I _{ON} =-10 mA Figure 3	2.5		15		Ω
I _{CC}	Quiescent Supply Current	V _{IN} =0 or V _{CC} , I _{OUT} =0	4.3			1	μA
I _{CC} T	Increase in I _{CC} Current Per Control Voltage and V _{CC}	V _{IN} =1.8 V	2.7			10	μA

Note:

3. Measured by the voltage drop between A and B pins at the indicated current through the switch. On resistance is determined by the lower of the voltage on the two (A or B) ports).

AC Electrical Characteristics

All typical values are for V_{CC}=2.5 V at 25°C unless otherwise specified.

Symbol	Parameter	Conditions	V _{CC} (V)	T _A =- 40°C to +85°C			Units
				Min.	Typ.	Max.	
t _{on}	Turn-On Time, /OE to Output	R _L =50 Ω, C _L =5 pF V _{SW} =1.8 V Figure 4, Figure 5	2.3 to 3.6		15	34	ns
t _{off}	Turn-Off Time, /OE to Output	R _L =50 Ω, C _L =5 pF V _{SW} =1.8 V Figure 4, Figure 5	2.3 to 3.6		12	25	ns
t _{ad}	Propagation Delay ⁽⁴⁾	R _L =50 Ω, C _L =5 pF Figure 4, Figure 6	3.3		0.35		ns
O _{IRR}	Off Isolation	R _L =50 Ω, f=400 MHz Figure 11	2.3 to 3.6		-40		dB
Xtalk	Non-Adjacent Channel Crosstalk	R _L =50 Ω, f=100 MHz Figure 12	2.3 to 3.6		-40		dB
BW	-3dB Bandwidth	R _L =50 Ω, C _L =0 pF Figure 10	2.3 to 3.6		1000		MHz
		R _L =50 Ω, C _L =5 pF Figure 10			750		MHz

Note:

4. Guaranteed by characterization.

High-Speed-Related AC Electrical Characteristics

Symbol	Parameter	Conditions	V _{CC} (V)	T _A =- 40°C to +85°C			Units
				Min.	Typ.	Max.	
t _{SK(O)}	Channel-to-Channel Skew ⁽⁵⁾	C _L =5 pF	3.3		40	80	ps
t _{SK(P)}	Skew of Opposite Transitions of the Same Output ⁽⁵⁾	C _L =5 pF	3.3		15	40	ps
t _{SK(PKG)}	Package-to-Package Skew ⁽⁵⁾	C _L =5 pF	3.3		60	100	ps

Note:

5. Guaranteed by characterization.

Capacitance

Symbol	Parameter	Conditions	T _A =- 40°C to +85°C			Units
			Min.	Typ.	Max.	
C _{IN}	Control Pin Input Capacitance	V _{CC} =0.2 V, f=1 MHz		2.0		pF
C _{ON}	D+/D- On Capacitance	V _{CC} =2.5 V, /OE=0 V, f=1 MHz Figure 9		6.0		
C _{OFF}	D1n, D2n Off Capacitance	V _{CC} and /OE=2.5 V, f=1 MHz Figure 8		2.5		

Test Diagrams

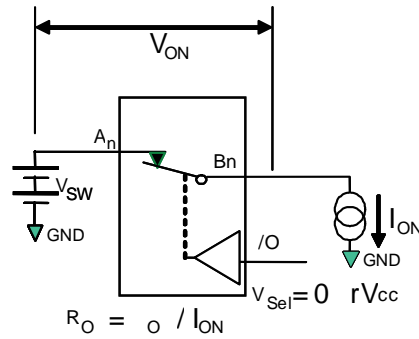
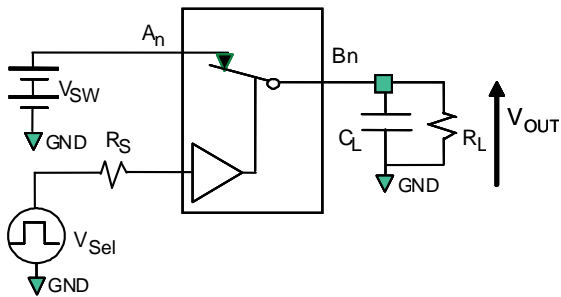


Figure 3. On Resistance



R_L , R_S , and C_L are functions of the application environment (see AC tables for specific values). C_L includes test fixture and stray capacitance.

Figure 4. AC Test Circuit Load

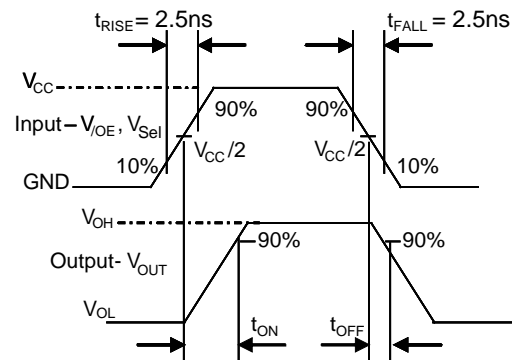


Figure 5. Turn-On / Turn-Off Waveforms

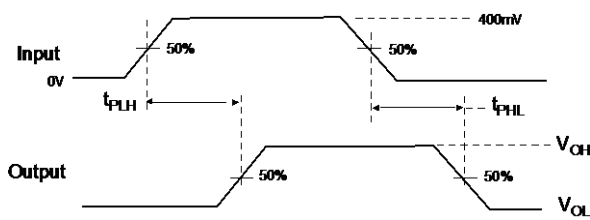


Figure 6. Propagation Delay ($t_r, t_o = 500ps$)

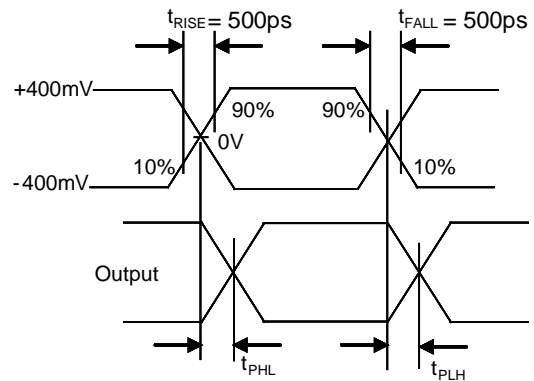


Figure 7. Intra-Pair Skew Test $t_{SK}(P)$

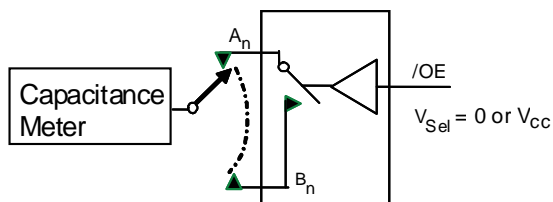


Figure 8. Channel Off Capacitance

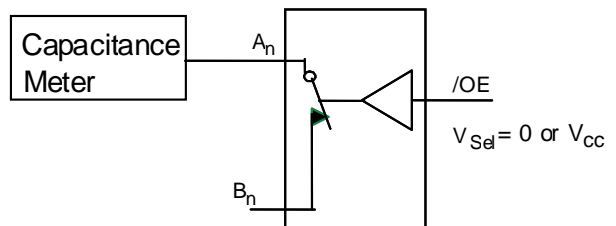


Figure 9. Channel On Capacitance

Test Diagrams (Continued)

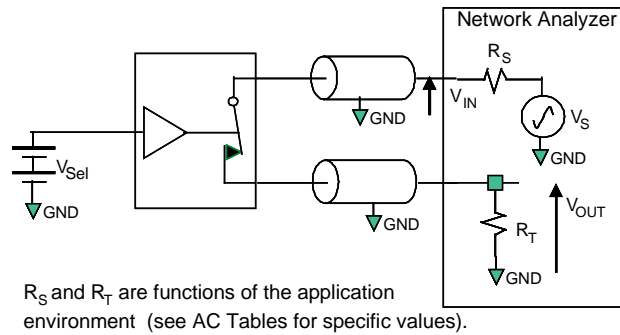


Figure 10. Bandwidth

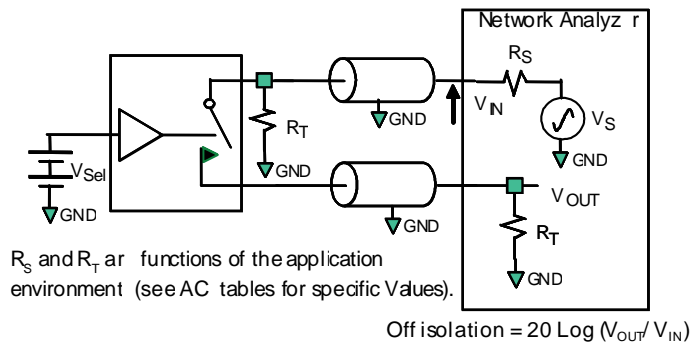


Figure 11. Channel Off Isolation

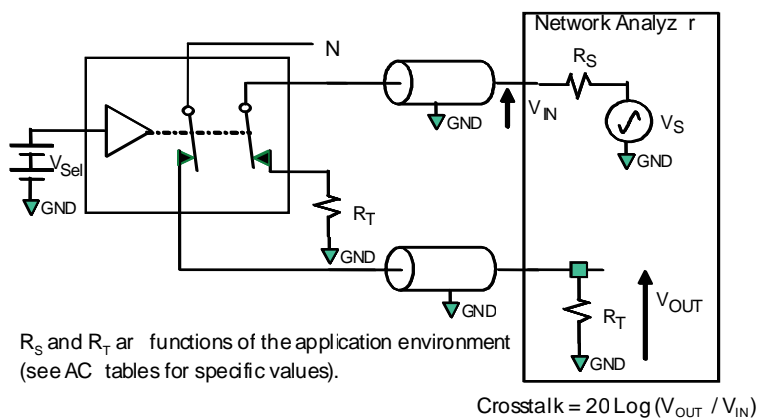


Figure 12. Non-Adjacent Channel-to-Channel Crosstalk

ON Semiconductor and the ON Semiconductor logo are trademarks of Semiconductor Components Industries, LLC dba ON Semiconductor or its subsidiaries in the United States and/or other countries. ON Semiconductor owns the rights to a number of patents, trademarks, copyrights, trade secrets, and other intellectual property. A listing of ON Semiconductor's product/patent coverage may be accessed at www.onsemi.com/site/pdf/Patent-Marking.pdf. ON Semiconductor reserves the right to make changes without further notice to any products herein. ON Semiconductor makes no warranty, representation or guarantee regarding the suitability of its products for any particular purpose, nor does ON Semiconductor assume any liability arising out of the application or use of any product or circuit, and specifically disclaims any and all liability, including without limitation special, consequential or incidental damages. Buyer is responsible for its products and applications using ON Semiconductor products, including compliance with all laws, regulations and safety requirements or standards, regardless of any support or applications information provided by ON Semiconductor. "Typical" parameters which may be provided in ON Semiconductor data sheets and/or specifications can and do vary in different applications and actual performance may vary over time. All operating parameters, including "Typicals" must be validated for each customer application by customer's technical experts. ON Semiconductor does not convey any license under its patent rights nor the rights of others. ON Semiconductor products are not designed, intended, or authorized for use as a critical component in life support systems or any FDA Class 3 medical devices or medical devices with a same or similar classification in a foreign jurisdiction or any devices intended for implantation in the human body. Should Buyer purchase or use ON Semiconductor products for any such unintended or unauthorized application, Buyer shall indemnify and hold ON Semiconductor and its officers, employees, subsidiaries, affiliates, and distributors harmless against all claims, costs, damages, and expenses, and reasonable attorney fees arising out of, directly or indirectly, any claim of personal injury or death associated with such unintended or unauthorized use, even if such claim alleges that ON Semiconductor was negligent regarding the design or manufacture of the part. ON Semiconductor is an Equal Opportunity/Affirmative Action Employer. This literature is subject to all applicable copyright laws and is not for resale in any manner.

PUBLICATION ORDERING INFORMATION

LITERATURE FULFILLMENT:

Literature Distribution Center for ON Semiconductor
19521 E. 32nd Pkwy, Aurora, Colorado 80011 USA
Phone: 303-675-2175 or 800-344-3860 Toll Free USA/Canada
Fax: 303-675-2176 or 800-344-3867 Toll Free USA/Canada
Email: orderlit@onsemi.com

N. American Technical Support: 800-282-9855 Toll Free
USA/Canada.

Europe, Middle East and Africa Technical Support:
Phone: 421 33 790 2910

Japan Customer Focus Center
Phone: 81-3-5817-1050

ON Semiconductor Website: www.onsemi.com

Order Literature: <http://www.onsemi.com/orderlit>

For additional information, please contact your local
Sales Representative