

RAA730500

Monolithic Programmable Analog IC

R02DS0008EJ0120

Rev.1.20

May. 31, 2014

Overview

The RAA730500 is a monolithic programmable analog IC with a range of on-chip circuits such as configurable amplifiers, a synchronous detection amplifier, a general-purpose operational amplifier, D/A converters, and a temperature sensor, allowing the RAA730500 to be used as an analog front-end device for processing minute sensor signals. The RAA730500 uses a Serial Peripheral Interface (SPI) to allow external devices to control each on-chip circuit, enabling a more compact package and a reduction in the number of control pins. The compact package used by the RAA730500—a 48-pin LQFP—in turns enables a more compact set design.

Features

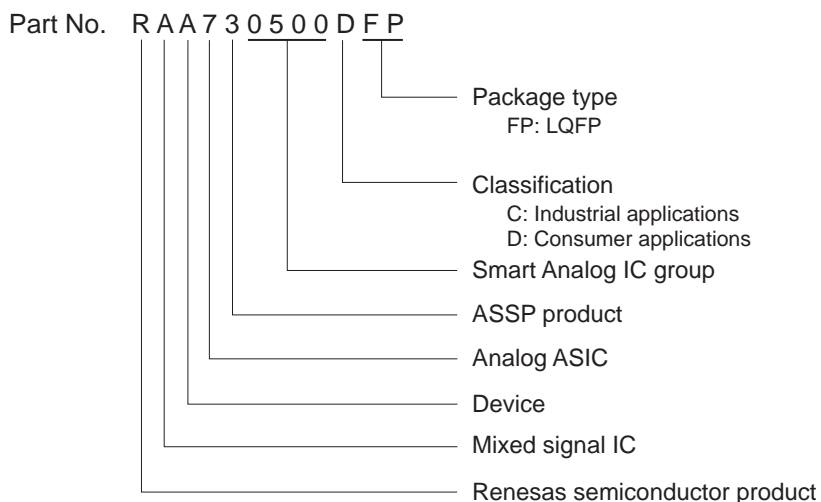
- On-chip configurable amplifier × 3 ch
- On-chip synchronous detection amplifier × 1 ch
- On-chip general-purpose operational amplifier × 1 ch
- On-chip low-pass filter × 1 ch
- On-chip high-pass filter × 1 ch
- On-chip D/A converter × 4 ch
- On-chip variable output voltage regulator × 1 ch
- On-chip reference voltage generator × 1 ch
- On-chip temperature sensor × 1 ch
- On-chip SPI × 1 ch
- Includes a low-current mode.
- Operating voltage range: $3.0\text{ V} \leq V_{DD} \leq 5.5\text{ V}$
- Operating temperature range: $-40^{\circ}\text{C} \leq T_A \leq 105^{\circ}\text{C}$
- Package: 48-pin plastic LQFP (fine pitch) (7 × 7)

Applications

- Home appliances
- Industrial equipment
- Healthcare equipment

Ordering Information

Pin count	Package	Part Number
48 pins	48-pin plastic LQFP (fine pitch) (7 × 7)	RAA730500CFP, RAA730500DFP



How to Read This Manual

It is assumed that the readers of this manual have general knowledge of electrical engineering, electronic circuits.

- To gain a general understanding of functions:
 - Read this manual in the order of the CONTENTS.
- To check the revised points :
 - The mark <R> shows major revised points. The revised points can be easily searched by copying an “<R>” in the PDF file and specifying it in the “Find what: ” field.

Conventions

Data significance	: Higher digits on the left and lower digits on the right
Active low representations	: $\overline{\text{xxx}}$ (overscore over pin and signal name)
Note	: Footnote for item marked with Note in the text
Caution	: Information requiring particular attention
Remark	: Supplementary information
Numerical representations	: Binary ...xxxx or xxxxB
	Decimal ...xxxx
	Hexadecimal ...xxxxH

Contents

1. Pin Configuration.....	5
1.1 Pin Layout.....	5
1.2 Block Diagram.....	6
1.3 Pin Functions	7
1.4 Connection of Unused Pins.....	9
1.5 Pin I/O Circuits	10
2. Configurable Amplifiers	14
2.1 Overview of Configurable Amplifier Features	14
2.2 Block Diagram.....	15
2.3 Registers Controlling the Configurable Amplifiers	18
2.4 Procedure for Operating the Configurable Amplifiers.....	35
3. General-Purpose Operational Amplifier	49
3.1 Overview of General-Purpose Operational Amplifier Features.....	49
3.2 Block Diagram.....	49
3.3 Registers Controlling the General-purpose operational amplifier.....	50
3.4 Procedure for Operating the General-purpose operational amplifier	51
4. Synchronous Detection Amplifier	52
4.1 Overview of Synchronous Detection Amplifier Features.....	52
4.2 Block Diagram.....	52
4.3 Registers Controlling the Synchronous Detection Amplifier.....	53
4.4 Procedure for Operating the Synchronous Detection Amplifier	56
5. D/A Converters	57
5.1 Overview of D/A Converter Features	57
5.2 Block Diagram.....	57
5.3 Registers Controlling the D/A Converters	58
5.4 Procedure for Operating the D/A Converters.....	60
5.5 Notes on Using D/A Converters	61
6. Low-Pass Filter	62
6.1 Overview of Low-Pass Filter Features.....	62
6.2 Block Diagram.....	62
6.3 Registers Controlling the Low-Pass Filter	63
6.4 Procedure for Operating the Low-Pass Filter.....	65
7. High-Pass Filter	66
7.1 Overview of High-Pass Filter Features	66
7.2 Block Diagram.....	66
7.3 Registers Controlling the High-Pass Filter.....	67
7.4 Procedure for Operating the High-Pass Filter	69
8. Temperature Sensor	70
8.1 Overview of Temperature Sensor Features.....	70
8.2 Block Diagram.....	70
8.3 Registers Controlling the Temperature Sensor	71
8.4 Procedure for Operating the Temperature Sensor.....	72

9. Variable Output Voltage Regulator 73

9.1 Overview of Variable Output Voltage Regulator Features 73

9.2 Block Diagram 73

9.3 Registers Controlling the Variable Output Voltage Regulator..... 74

9.4 Procedure for Operating the Variable Output Voltage Regulator 76

10. Reference Voltage Generator 77

10.1 Overview of Reference Voltage Generator Features 77

10.2 Block Diagram 77

10.3 Registers Controlling the Reference Voltage Generator 78

10.4 Procedure for Operating the Reference Voltage Generator 78

10.5 Notes on Using the Reference Voltage Generator 78

11. SPI..... 79

11.1 Overview of SPI Features 79

11.2 SPI Communication 80

12. Reset..... 82

12.1 Overview of Reset Feature..... 82

12.2 Registers Controlling the Reset Feature..... 85

13. Electrical Specifications..... 86

13.1 Absolute Maximum Ratings 86

13.2 Recommended Operating Range..... 87

13.3 Supply Current Characteristics 88

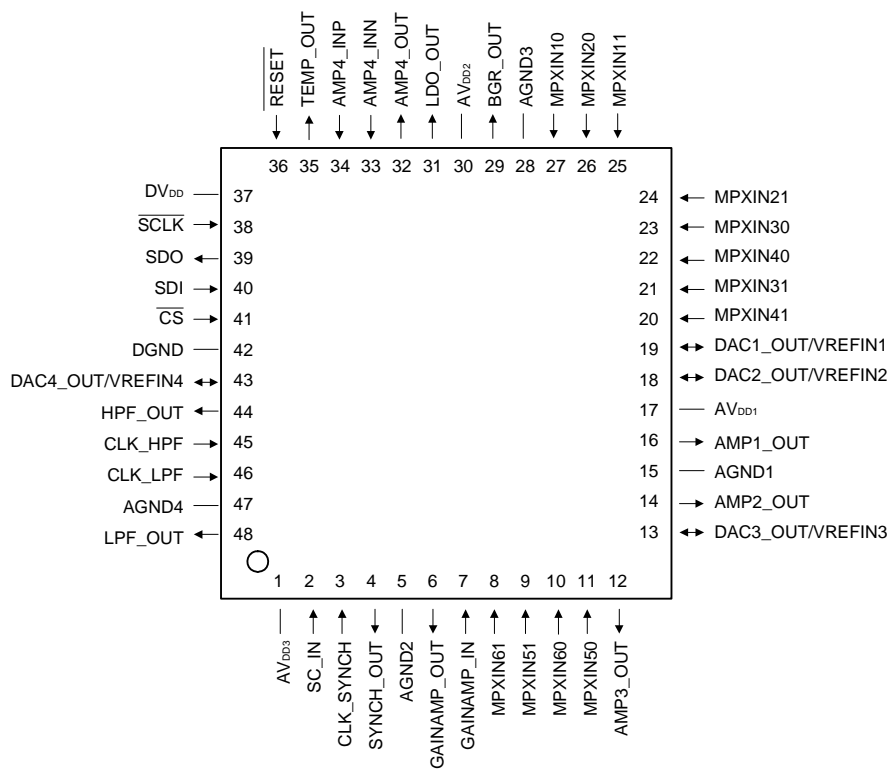
13.4 Electrical Specifications of Each Block..... 90

14. Package Drawing 108

1. Pin Configuration

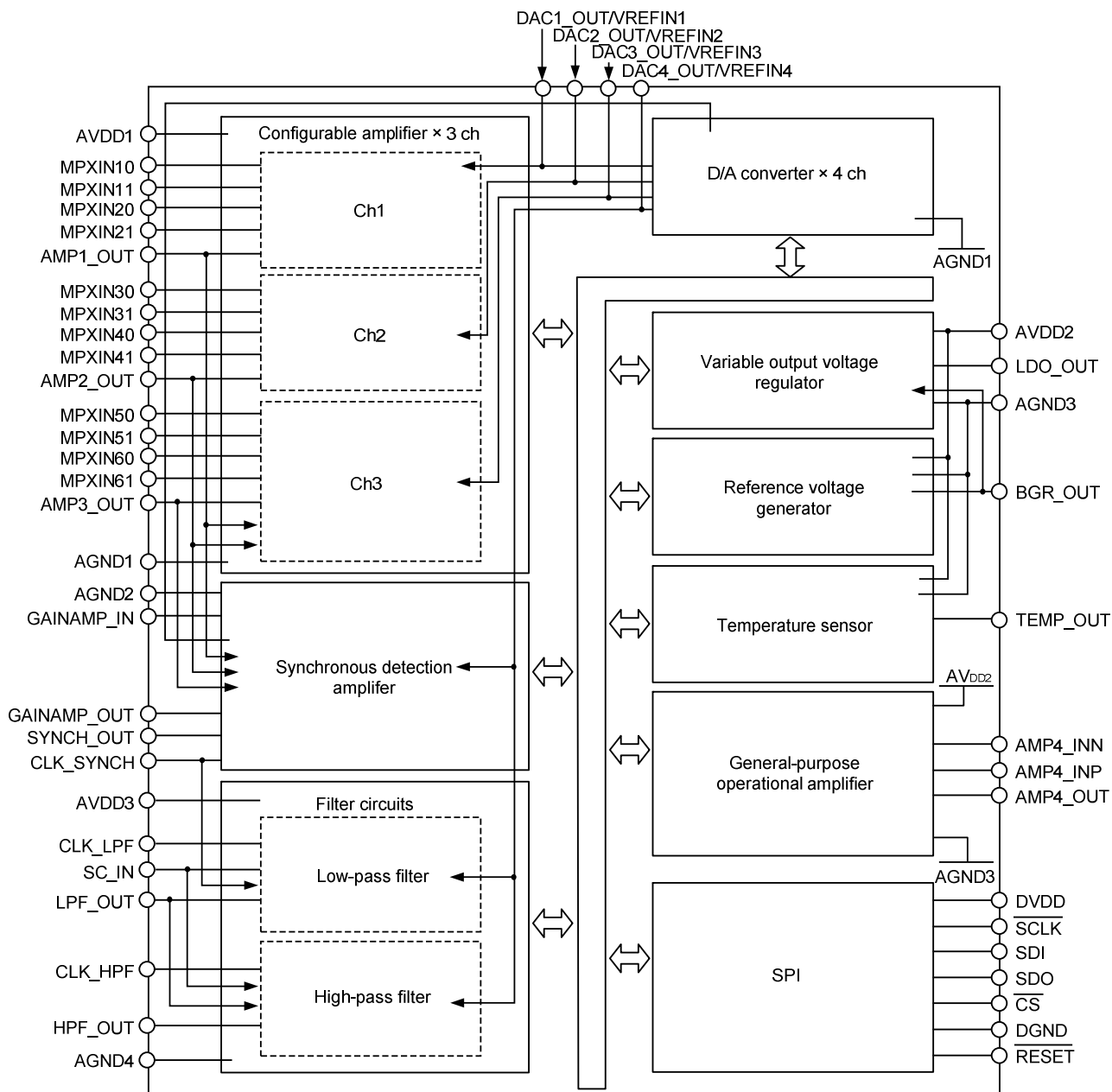
1.1 Pin Layout

48-pin plastic LQFP (fine pitch) (7 × 7)



- Cautions**
1. Make the potential of AGND1, AGND2, AGND3, AGND4, and DGND the same.
 2. Make the potential of AV_{DD1}, AV_{DD2}, AV_{DD3}, and DV_{DD} the same.
 3. Connect the LDO_OUT pin to AGND3 via a capacitor (4.7 μF: recommended).
 4. Connect the BGR_OUT pin to AGND3 via a capacitor (0.1 μF: recommended).
 5. Connect the DAC4_OUT/VREFIN4 pin to AGND1 via a capacitor (470 pF: recommended).

1.2 Block Diagram



1.3 Pin Functions

Table 1-1. Pin Functions (1/2)

Pin No.	Pin Name	I/O	Pin Functions
1	AV _{DD3}	–	Power supply pin for low-pass filter and high-pass filter
2	SC_IN	Input	Input pin for filter signal processing
3	CLK_SYNCH	Input	Pin for inputting synchronous detector control clock
4	SYNCH_OUT	Output	Synchronous detector output pin
5	AGND2	–	GND pin for synchronous detection amplifier
6	GAINAMP_OUT	Output	Output pin for synchronous detection amplifier
7	GAINAMP_IN	Input	Synchronous detection amplifier input pin
8	MPXIN61	Input	Multiplexer 6 input pin 1 (Configurable amplifier Ch3 input pin1 (+))
9	MPXIN51	Input	Multiplexer 5 input pin 1 (Configurable amplifier Ch3 input pin1 (–))
10	MPXIN60	Input	Multiplexer 6 input pin 0 (Configurable amplifier Ch3 input pin0 (+))
11	MPXIN50	Input	Multiplexer 5 input pin 0 (Configurable amplifier Ch3 input pin0 (–))
12	AMP3_OUT	Output	Configurable amplifier Ch3 output pin
13	DAC3_OUT/ VREFIN3	Input/ output	D/A converter Ch3 output pin/configurable amplifier Ch3 reference voltage input pin
14	AMP2_OUT	Output	Configurable amplifier Ch2 output pin
15	AGND1	–	GND pin for configurable amplifiers Ch1 to Ch3
16	AMP1_OUT	Output	Configurable amplifier Ch1 output pin
17	AV _{DD1}	–	Power supply pin for configurable amplifiers Ch1 to Ch3
18	DAC2_OUT/ VREFIN2	Input/ output	D/A converter Ch2 output pin/configurable amplifier Ch2 reference voltage input pin
19	DAC1_OUT/ VREFIN1	Input/ output	D/A converter Ch1 output pin/configurable amplifier Ch1 reference voltage input pin
20	MPXIN41	Input	Multiplexer 4 input pin 1 (Configurable amplifier Ch2 input pin 1 (+))
21	MPXIN31	Input	Multiplexer 3 input pin 1 (Configurable amplifier Ch2 input pin 1 (–))
22	MPXIN40	Input	Multiplexer 4 input pin 0 (Configurable amplifier Ch2 input pin 0 (+))
23	MPXIN30	Input	Multiplexer 3 input pin 0 (Configurable amplifier Ch2 input pin 0 (–))
24	MPXIN21	Input	Multiplexer 2 input pin 1 (Configurable amplifier Ch1 input pin 1 (+))
25	MPXIN11	Input	Multiplexer 1 input pin 1 (Configurable amplifier Ch1 input pin 1 (–))
26	MPXIN20	Input	Multiplexer 2 input pin 0 (Configurable amplifier Ch1 input pin 0 (+))
27	MPXIN10	Input	Multiplexer 1 input pin 0 (Configurable amplifier Ch1 input pin 0 (–))
28	AGND3	–	GND pin for variable output voltage regulator, general-purpose operational amplifier and reference voltage generator
29	BGR_OUT	Output	Reference voltage generator output pin
30	AV _{DD2}	–	Power supply pin for variable output voltage regulator, reference voltage generator, general-purpose operational amplifier and D/A converter
31	LDO_OUT	Output	Variable output voltage regulator output pin
32	AMP4_OUT	Output	General-purpose operational amplifier output pin
33	AMP4_INN	Input	Pin for inputting inverted signal to general-purpose operational amplifier
34	AMP4_INP	Input	Pin for inputting non-inverted signal to general-purpose operational amplifier
35	TEMP_OUT	Output	Temperature sensor output pin

Table 1-1. Pin Functions (2/2)

Pin No.	Pin Name	I/O	Pin Functions
36	RESET	Input	External reset input pin
37	DV _{DD}	–	Power supply pin for SPI
38	SCLK	Input	Serial clock input pin for SPI
39	SDO	Output	Serial data output pin for SPI
40	SDI	Input	Serial data input pin for SPI
41	CS	Input	Chip select input pin for SPI
42	DGND	–	GND pin for SPI
43	DAC4_OUT/ VREFIN4	Input/ output	D/A converter Ch4 output pin and pin for inputting reference voltage to synchronous detection amplifier, low-pass filter, and high-pass filter
44	HPF_OUT	Output	High-pass filter output pin
45	CLK_HPF	Input	Pin for inputting high-pass filter control clock
46	CLK_LPF	Input	Pin for inputting low-pass filter control clock
47	AGND4	–	GND pin for low-pass filter and high-pass filter
48	LPF_OUT	Output	Low-pass filter output pin

1.4 Connection of Unused Pins

Table 1-2. Connection of Unused Pins

Pin Name	I/O	Recommended Connection of Unused Pins	
SC_IN	Input	Directly connect to AGND4.	
CLK_SYNCH	Input	Leave open.	
SYNCH_OUT	Output		
GAINAMP_OUT	Output		
GAINAMP_IN	Input	Directly connect to AGND2.	
MPXIN61	Input	Directly connect to AGND1.	
MPXIN51	Input		
MPXIN60	Input		
MPXIN50	Input		
AMP3_OUT	Output	Leave open.	
DAC3_OUT/VREFIN3	Input/output		
AMP2_OUT	Output		
AMP1_OUT	Output		
DAC2_OUT/VREFIN2	Input/output		
DAC1_OUT/VREFIN1	Input/output		
MPXIN41	Input	Directly connect to AGND1.	
MPXIN31	Input		
MPXIN40	Input		
MPXIN30	Input		
MPXIN21	Input		
MPXIN11	Input		
MPXIN20	Input		
MPXIN10	Input		
AMP4_OUT	Output	Leave open.	
AMP4_INN	Input	Directly connect to AGND3.	
AMP4_INP	Input		
TEMP_OUT	Output	Leave open.	
SCLK	Input		
SDO	Output		
SDI	Input		
CS	Input		
DAC4_OUT/VREFIN4	Input/output		
HPF_OUT	Output		
CLK_HPF	Input		
CLK_LPF	Input		
LPF_OUT	Output		
LDO_OUT	Output		
BGR_OUT	Output		
RESET	Input		Connect to DV _{DD} directly or via a resistor.

1.5 Pin I/O Circuits

Figure 1-1. Pin I/O Circuit Type (1/4)

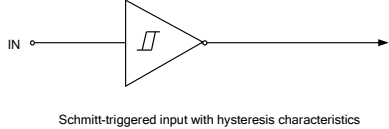
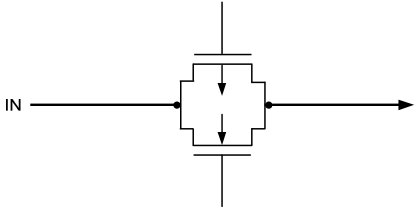
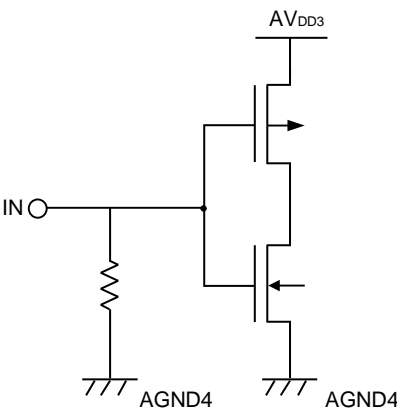
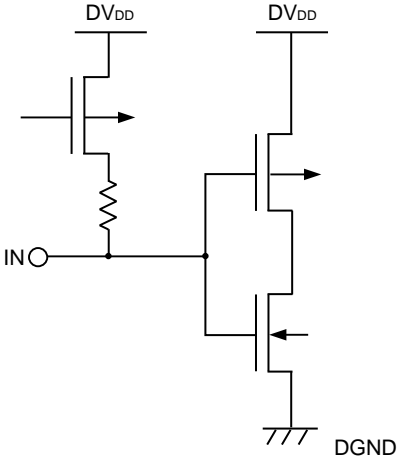
Pin Name	Equivalent Circuit	Pin Name	Equivalent Circuit
RESET	 <p>Schmitt-triggered input with hysteresis characteristics</p>	MPXIN10 MPXIN11 MPXIN20 MPXIN21 MPXIN30 MPXIN31 MPXIN40 MPXIN41 MPXIN50 MPXIN51 MPXIN60 MPXIN61 SC_IN GAINAMP_IN	
CLK_SYNCH CLK_LPF CLK_HPF		SCLK SDI CS	

Figure 1-1. Pin I/O Circuit Type (2/4)

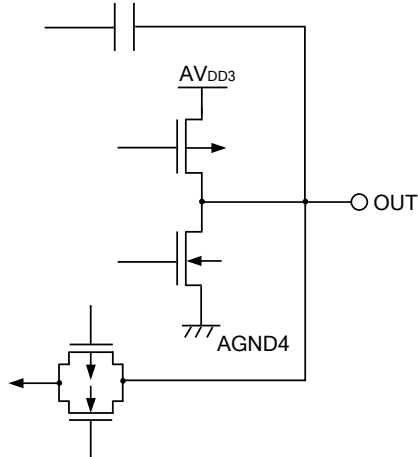
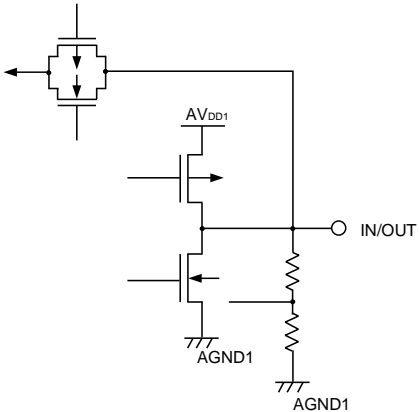
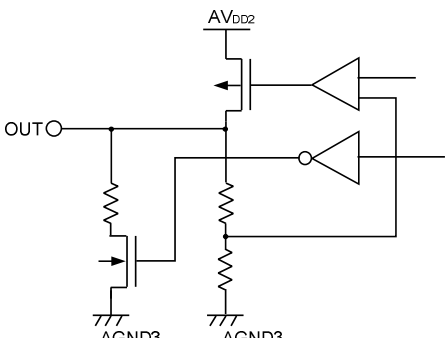
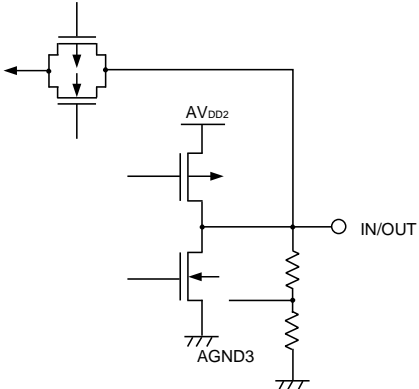
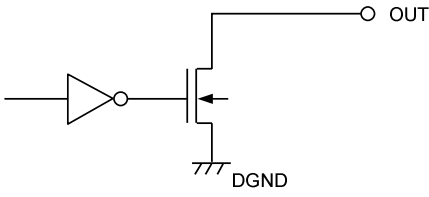
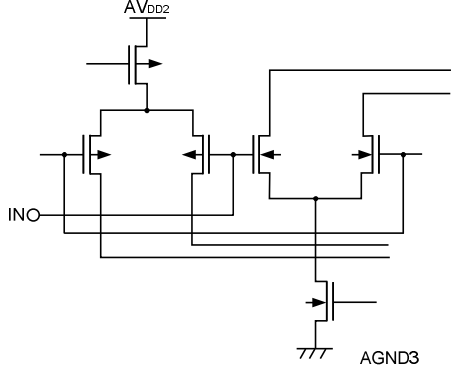
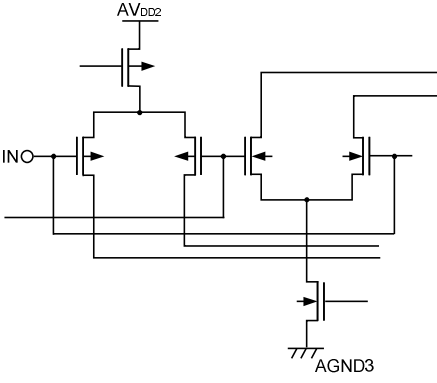
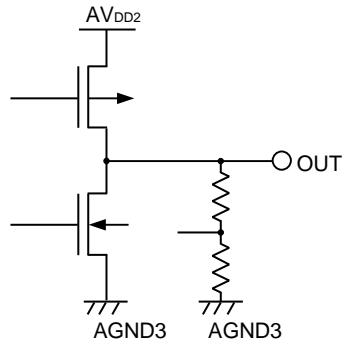
Pin Name	Equivalent Circuit	Pin Name	Equivalent Circuit
LPF_OUT HPF_OUT		DAC1_OUT/ VREFIN1 DAC2_OUT/ VREFIN2 DAC3_OUT/ VREFIN3	
LDO_OUT		DAC4_OUT/ VREFIN4	

Figure 1-1. Pin I/O Circuit Type (3/4)

Pin Name	Equivalent Circuit	Pin Name	Equivalent Circuit
BGR_OUT		GAINAMP_OUT AMP3_OUT	
AMP1_OUT AMP2_OUT SYNCH_OUT		AMP4_OUT	

Figure 1-1. Pin I/O Circuit Type (4/4)

Pin Name	Equivalent Circuit	Pin Name	Equivalent Circuit
SDO		AMP4_INP	
AMP4_INN		TEMP_OUT	

2. Configurable Amplifiers

The RAA730500 has three on-chip configurable amplifier channels.

2.1 Overview of Configurable Amplifier Features

By specifying settings in the SPI control registers, the configurable amplifiers can be used to realize the following features:

- Single-channel operation
 - Non-inverting amplifier
 - The gain can be specified between 9.5 dB and 40.1 dB in 18 steps
 - Four operating modes are available
 - Includes a power-off function
 - Inverting amplifier
 - The gain can be specified between 6 dB and 40 dB in 18 steps
 - Four operating modes are available
 - Includes a power-off function
 - Differential amplifier
 - The gain can be specified between 6 dB and 40 dB in 18 steps
 - Four operating modes are available
 - Includes a power-off function
 - Transimpedance amplifier
 - The feedback resistance can be specified between 20 k Ω and 640 k Ω in 6 steps
 - Four operating modes are available
 - Includes a power-off function
- Multiple-channel operation
 - Instrumentation amplifier
 - The gain can be specified between 20 dB and 54 dB in 18 steps
 - Four operating modes are available
 - Includes a power-off function

<R> And also, the DACn_OUT output signals can be used as the reference voltage for each configurable amplifier. If D/A converter is powered off, the external reference voltage is to be input to DACn_OUT/VREFINn pin. For details about use of D/A converter, see **5. D/A Converter**.

Remark n = 1 to 3

2.2 Block Diagram

Figure 2-1. Block Diagram of Configurable Amplifier Ch1

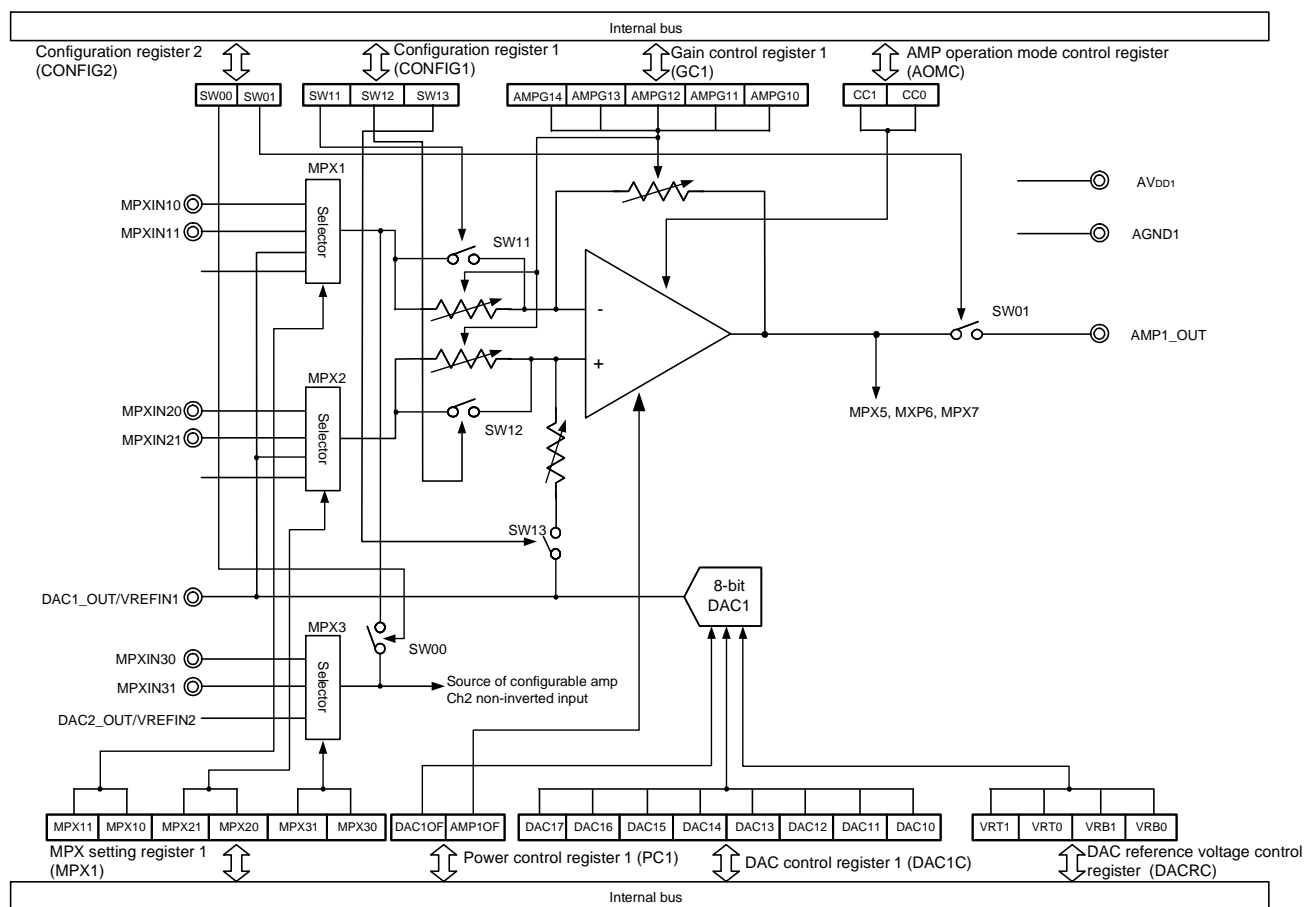


Figure 2-2. Block Diagram of Configurable Amplifier Ch2

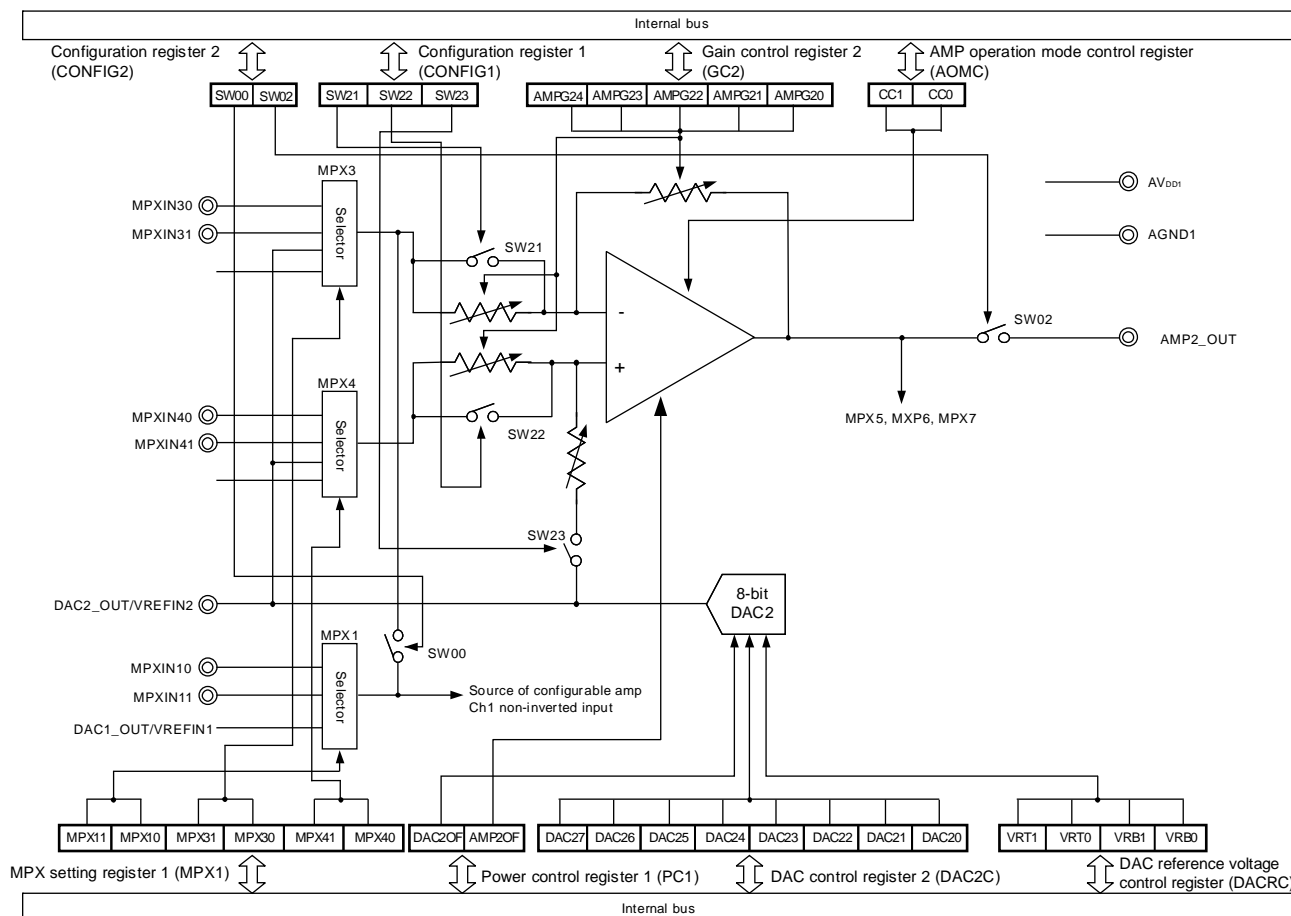
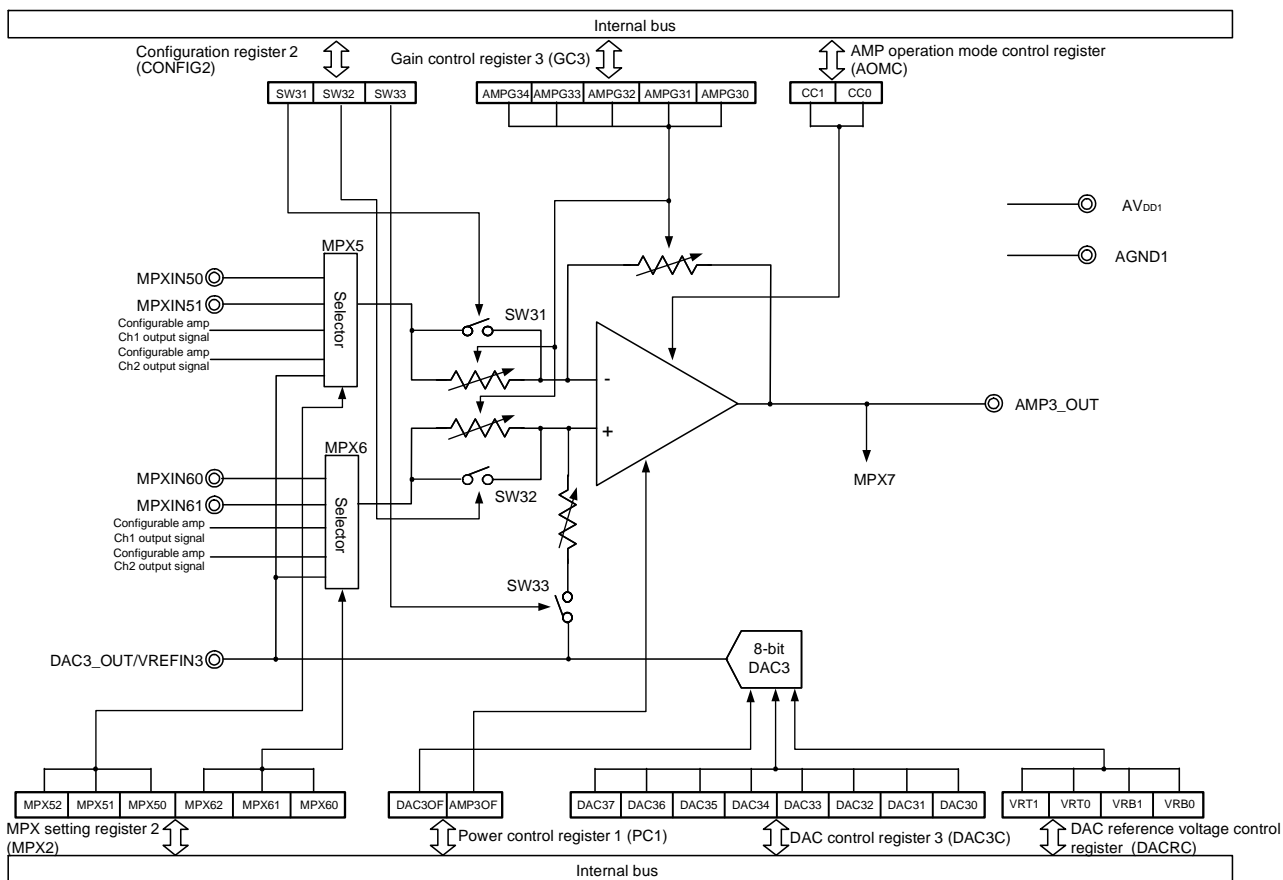


Figure 2-3. Block Diagram of Configurable Amplifier Ch3



2.3 Registers Controlling the Configurable Amplifiers

The configurable amplifiers are controlled by the following 9 registers:

- Configuration register 1 (CONFIG1)
- Configuration register 2 (CONFIG2)
- MPX setting register 1 (MPX1)
- MPX setting register 2 (MPX2)
- Gain control register 1 (GC1)
- Gain control register 2 (GC2)
- Gain control register 3 (GC3)
- AMP operation mode control register (AOMC)
- Power control register 1 (PC1)

(1) Configuration register 1 (CONFIG1)

This register is used to turn on or off each switch of configurable amplifiers Ch1 and Ch2. Reset signal input clears this register to 00H.

Address: 00H After reset: 00H R/W

	7	6	5	4	3	2	1	0
CONFIG1	0	SW11	SW12	SW13	0	SW21	SW22	SW23

SW11	Control of SW11
0	Turn off SW11.
1	Turn on SW11.

SW12	Control of SW12
0	Turn off SW12.
1	Turn on SW12.

SW13	Control of SW13
0	Turn off SW13.
1	Turn on SW13.

SW21	Control of SW21
0	Turn off SW21.
1	Turn on SW21.

SW22	Control of SW22
0	Turn off SW22.
1	Turn on SW22.

SW23	Control of SW23
0	Turn off SW23.
1	Turn on SW23.

Remark Bits 7 and 3 can be set to 1, but this has no effect on the function.

(2) Configuration register 2 (CONFIG2)

This register is used to turn on or off each switch of configurable amplifiers Ch1 to Ch3. Reset signal input clears this register to 00H.

Address: 01H After reset: 00H R/W

	7	6	5	4	3	2	1	0
CONFIG2	0	SW31	SW32	SW33	0	SW02	SW01	SW00

SW31	Control of SW31
0	Turn off SW31.
1	Turn on SW31.

SW32	Control of SW32
0	Turn off SW32.
1	Turn on SW32.

SW33	Control of SW33
0	Turn off SW33.
1	Turn on SW33.

SW02	Control of SW02
0	Turn off SW02.
1	Turn on SW02.

SW01	Control of SW01
0	Turn off SW01.
1	Turn on SW01.

SW00	Control of SW00
0	Turn off SW00.
1	Turn on SW00.

Remark Bits 7 and 3 can be set to 1, but this has no effect on the function.

(3) MPX setting register 1 (MPX1)

This register is used to control MPX1, MPX2, MPX3, and MPX4.

This register is used to select the signal input to configurable amplifiers Ch1 and Ch2.

Reset signal input clears this register to 00H.

Address: 03H After reset: 00H R/W

	7	6	5	4	3	2	1	0
MPX1	MPX11	MPX10	MPX21	MPX20	MPX31	MPX30	MPX41	MPX40

MPX11	MPX10	Source of configurable amplifier Ch1 inverted input
0	0	MPXIN10 pin
0	1	MPXIN11 pin
1	0	D/A converter Ch1 output signal or VREFIN1 pin
1	1	Open pin

MPX21	MPX20	Source of configurable amplifier Ch1 non-inverted input
0	0	MPXIN20 pin
0	1	MPXIN21 pin
1	0	D/A converter Ch1 output signal or VREFIN1 pin
1	1	Open pin

MPX31	MPX30	Source of configurable amplifier Ch2 inverse input
0	0	MPXIN30 pin
0	1	MPXIN31 pin
1	0	D/A converter Ch2 output signal or VREFIN2 pin
1	1	Open pin

MPX41	MPX40	Source of configurable amplifier Ch2 non-inverted input
0	0	MPXIN40 pin
0	1	MPXIN41 pin
1	0	D/A converter Ch2 output signal or VREFIN2 pin
1	1	Open pin

(4) MPX setting register 2 (MPX2)

This register is used to control MPX5 and MPX6.

This register is used to select the signal input to configurable amplifier Ch3.

Reset signal input clears this register to 00H.

Address: 04H After reset: 00H R/W

	7	6	5	4	3	2	1	0
MPX2	0	MPX52	MPX51	MPX50	0	MPX62	MPX61	MPX60

MPX52	MPX51	MPX50	Source of configurable amplifier Ch3 inverse input
0	0	0	MPXIN50 pin
0	0	1	MPXIN51 pin
0	1	0	Configurable amplifier Ch1 output signal
0	1	1	Configurable amplifier Ch2 output signal
1	0	0	D/A converter Ch3 output signal or VREFIN3 pin
Other than above			Setting prohibited

MPX62	MPX61	MPX60	Source of configurable amplifier Ch3 non-inverted input
0	0	0	MPXIN60 pin
0	0	1	MPXIN61 pin
0	1	0	Output signal of configurable amplifier Ch1
0	1	1	Configurable amplifier Ch2 output signal
1	0	0	D/A converter Ch3 output signal or VREFIN3 pin
Other than above			Setting prohibited

Remark Bits 7 and 3 can be set to 1, but this has no effect on the function.

(5) Gain control register 1 (GC1)

This register is used to specify the gain and feedback resistance of configurable amplifier Ch1.

The value to specify depends on the configuration of configurable amplifier Ch1.

When using configurable amplifiers Ch1 to Ch3 together as an instrumentation amplifier, be sure to set gain control register 1 (GC1) to 03H.

Reset signal input clears this register to 00H.

Address: 06H After reset: 00H R/W

	7	6	5	4	3	2	1	0
GC1	0	0	0	AMPG14	AMPG13	AMPG12	AMPG11	AMPG10

Table 2-1. Gain of Configurable Amplifier Ch1 (Non-Inverting Amplifier)

AMPG14	AMPG13	AMPG12	AMPG11	AMPG10	Gain of Configurable Amplifier Ch1 (Typ.)
0	0	0	0	0	9.5 dB
0	0	0	0	1	10.9 dB
0	0	0	1	0	12.4 dB
0	0	0	1	1	14.0 dB
0	0	1	0	0	15.6 dB
0	0	1	0	1	17.3 dB
0	0	1	1	0	19.0 dB
0	0	1	1	1	20.8 dB
0	1	0	0	0	22.7 dB
0	1	0	0	1	24.5 dB
0	1	0	1	0	26.4 dB
0	1	0	1	1	28.3 dB
0	1	1	0	0	30.3 dB
0	1	1	0	1	32.2 dB
0	1	1	1	0	34.2 dB
0	1	1	1	1	36.1 dB
1	0	0	0	0	38.1 dB
1	0	0	0	1	40.1 dB
Other than above					Setting prohibited

Remark Bits 7 to 5 are fixed at 0 of read only.

Table 2-2. Gain of Configurable Amplifier Ch1 (Inverting Amplifier and Differential Amplifier)

AMPG14	AMPG13	AMPG12	AMPG11	AMPG10	Gain of Configurable Amplifier Ch1 (Typ.)
0	0	0	0	0	6 dB
0	0	0	0	1	8 dB
0	0	0	1	0	10 dB
0	0	0	1	1	12 dB
0	0	1	0	0	14 dB
0	0	1	0	1	16 dB
0	0	1	1	0	18 dB
0	0	1	1	1	20 dB
0	1	0	0	0	22 dB
0	1	0	0	1	24 dB
0	1	0	1	0	26 dB
0	1	0	1	1	28 dB
0	1	1	0	0	30 dB
0	1	1	0	1	32 dB
0	1	1	1	0	34 dB
0	1	1	1	1	36 dB
1	0	0	0	0	38 dB
1	0	0	0	1	40 dB
Other than above					Setting prohibited

Table 2-3. Feedback Resistance of Configurable Amplifier Ch1 (Transimpedance Amplifier)

AMPG14	AMPG13	AMPG12	AMPG11	AMPG10	Feedback Resistance of Configurable Amplifier Ch1 (Typ.)
0	0	0	0	0	20 kΩ
0	0	0	0	1	
0	0	0	1	0	
0	0	0	1	1	40 kΩ
0	0	1	0	0	
0	0	1	0	1	
0	0	1	1	0	80 kΩ
0	0	1	1	1	
0	1	0	0	0	
0	1	0	0	1	160 kΩ
0	1	0	1	0	
0	1	0	1	1	
0	1	1	0	0	320 kΩ
0	1	1	0	1	
0	1	1	1	0	
0	1	1	1	1	640 kΩ
1	0	0	0	0	
1	0	0	0	1	
Other than above					Setting prohibited

(6) Gain control register 2 (GC2)

This register is used to specify the gain and feedback resistance of configurable amplifier Ch2.

The value to specify depends on the configuration of configurable amplifier Ch2.

When using configurable amplifiers Ch1 to Ch3 together as an instrumentation amplifier, be sure to set gain control register 2 (GC2) to 03H.

Reset signal input clears this register to 00H.

Address: 07H After reset: 00H R/W

	7	6	5	4	3	2	1	0
GC2	0	0	0	AMPG24	AMPG23	AMPG22	AMPG21	AMPG20

Table 2-4. Gain of Configurable Amplifier Ch2 (Non-Inverting Amplifier)

AMPG24	AMPG23	AMPG22	AMPG21	AMPG20	Gain of Configurable Amplifier Ch2 (Typ.)
0	0	0	0	0	9.5 dB
0	0	0	0	1	10.9 dB
0	0	0	1	0	12.4 dB
0	0	0	1	1	14.0 dB
0	0	1	0	0	15.6 dB
0	0	1	0	1	17.3 dB
0	0	1	1	0	19.0 dB
0	0	1	1	1	20.8 dB
0	1	0	0	0	22.7 dB
0	1	0	0	1	24.5 dB
0	1	0	1	0	26.4 dB
0	1	0	1	1	28.3 dB
0	1	1	0	0	30.3 dB
0	1	1	0	1	32.2 dB
0	1	1	1	0	34.2 dB
0	1	1	1	1	36.1 dB
1	0	0	0	0	38.1 dB
1	0	0	0	1	40.1 dB
Other than above					Setting prohibited

Remark Bits 7 to 5 are fixed at 0 of read only.

Table 2-5. Gain of Configurable Amplifier Ch2 (Inverting Amplifier and Differential Amplifier)

AMPG24	AMPG23	AMPG22	AMPG21	AMPG20	Gain of Configurable Amplifier Ch2 (Typ.)
0	0	0	0	0	6 dB
0	0	0	0	1	8 dB
0	0	0	1	0	10 dB
0	0	0	1	1	12 dB
0	0	1	0	0	14 dB
0	0	1	0	1	16 dB
0	0	1	1	0	18 dB
0	0	1	1	1	20 dB
0	1	0	0	0	22 dB
0	1	0	0	1	24 dB
0	1	0	1	0	26 dB
0	1	0	1	1	28 dB
0	1	1	0	0	30 dB
0	1	1	0	1	32 dB
0	1	1	1	0	34 dB
0	1	1	1	1	36 dB
1	0	0	0	0	38 dB
1	0	0	0	1	40 dB
Other than above					Setting prohibited

Table 2-6. Feedback Resistance of Configurable Amplifier Ch2 (Transimpedance Amplifier)

AMPG24	AMPG23	AMPG22	AMPG21	AMPG20	Feedback Resistance of Configurable Amplifier Ch2 (Typ.)
0	0	0	0	0	20 kΩ
0	0	0	0	1	
0	0	0	1	0	
0	0	0	1	1	40 kΩ
0	0	1	0	0	
0	0	1	0	1	
0	0	1	1	0	80 kΩ
0	0	1	1	1	
0	1	0	0	0	
0	1	0	0	1	160 kΩ
0	1	0	1	0	
0	1	0	1	1	
0	1	1	0	0	320 kΩ
0	1	1	0	1	
0	1	1	1	0	
0	1	1	1	1	640 kΩ
1	0	0	0	0	
1	0	0	0	1	
Other than above					Setting prohibited

(7) Gain control register 3 (GC3)

This register is used to specify the gain and feedback resistance of configurable amplifier Ch3.

The value to specify depends on the configuration of configurable amplifier Ch3.

When using configurable amplifiers Ch1 to Ch3 together as an instrumentation amplifier, be sure to set gain control register 1 (GC1) and gain control register 2 (GC2) to 03H, respectively.

Reset signal input clears this register to 00H.

Address: 08H After reset: 00H R/W

	7	6	5	4	3	2	1	0
GC3	0	0	0	AMPG34	AMPG33	AMPG32	AMPG31	AMPG30

Table 2-7. Gain of Configurable Amplifier Ch3 (Non-Inverting Amplifier)

AMPG34	AMPG33	AMPG32	AMPG31	AMPG30	Gain of Configurable Amplifier Ch3 (Typ.)
0	0	0	0	0	9.5 dB
0	0	0	0	1	10.9 dB
0	0	0	1	0	12.4 dB
0	0	0	1	1	14.0 dB
0	0	1	0	0	15.6 dB
0	0	1	0	1	17.3 dB
0	0	1	1	0	19.0 dB
0	0	1	1	1	20.8 dB
0	1	0	0	0	22.7 dB
0	1	0	0	1	24.5 dB
0	1	0	1	0	26.4 dB
0	1	0	1	1	28.3 dB
0	1	1	0	0	30.3 dB
0	1	1	0	1	32.2 dB
0	1	1	1	0	34.2 dB
0	1	1	1	1	36.1 dB
1	0	0	0	0	38.1 dB
1	0	0	0	1	40.1 dB
Other than above					Setting prohibited

Remark Bits 7 to 5 are fixed at 0 of read only.

Table 2-8. Gain of Configurable Amplifier Ch3 (Inverting Amplifier and Differential Amplifier)

AMPG34	AMPG33	AMPG32	AMPG31	AMPG30	Gain of Configurable Amplifier Ch3 (Typ.)
0	0	0	0	0	6 dB
0	0	0	0	1	8 dB
0	0	0	1	0	10 dB
0	0	0	1	1	12 dB
0	0	1	0	0	14 dB
0	0	1	0	1	16 dB
0	0	1	1	0	18 dB
0	0	1	1	1	20 dB
0	1	0	0	0	22 dB
0	1	0	0	1	24 dB
0	1	0	1	0	26 dB
0	1	0	1	1	28 dB
0	1	1	0	0	30 dB
0	1	1	0	1	32 dB
0	1	1	1	0	34 dB
0	1	1	1	1	36 dB
1	0	0	0	0	38 dB
1	0	0	0	1	40 dB
Other than above					Setting prohibited

Table 2-9. Feedback Resistance of Configurable Amplifier Ch3 (Transimpedance Amplifier)

AMPG34	AMPG33	AMPG32	AMPG31	AMPG30	Feedback Resistance of Configurable Amplifier Ch3 (Typ.)
0	0	0	0	0	20 kΩ
0	0	0	0	1	
0	0	0	1	0	
0	0	0	1	1	40 kΩ
0	0	1	0	0	
0	0	1	0	1	
0	0	1	1	0	80 kΩ
0	0	1	1	1	
0	1	0	0	0	
0	1	0	0	1	160 kΩ
0	1	0	1	0	
0	1	0	1	1	
0	1	1	0	0	320 kΩ
0	1	1	0	1	
0	1	1	1	0	
0	1	1	1	1	640 kΩ
1	0	0	0	0	
1	0	0	0	1	
Other than above					Setting prohibited

Table 2-10. Gain of Configurable Amplifier Ch3 (Instrumentation Amplifier)

AMPG34	AMPG33	AMPG32	AMPG31	AMPG30	Gain of Configurable Amplifier Ch3 (Typ.)
0	0	0	0	0	20 dB
0	0	0	0	1	22 dB
0	0	0	1	0	24 dB
0	0	0	1	1	26 dB
0	0	1	0	0	28 dB
0	0	1	0	1	30 dB
0	0	1	1	0	32 dB
0	0	1	1	1	34 dB
0	1	0	0	0	36 dB
0	1	0	0	1	38 dB
0	1	0	1	0	40 dB
0	1	0	1	1	42 dB
0	1	1	0	0	44 dB
0	1	1	0	1	46 dB
0	1	1	1	0	48 dB
0	1	1	1	1	50 dB
1	0	0	0	0	52 dB
1	0	0	0	1	54 dB
Other than above					Setting prohibited

(8) AMP operation mode control register (AOMC)

This register is used to specify the operating mode of configurable amplifiers Ch1 to Ch3. Reset signal input clears this register to 00H.

Address: 09H After reset: 00H R/W

	7	6	5	4	3	2	1	0
AOMC	0	0	0	0	0	0	CC1	CC0

CC1	CC0	Operating mode of configurable amplifiers Ch1 to Ch3
0	0	High-speed mode
0	1	Mid-speed mode 2
1	0	Mid-speed mode 1
1	1	Low-speed mode

- Remark 1.** Bits 5 to 2 can be set to 1, but this has no effect on the function.
2. Bits 7 and 6 are fixed at 0 of read only.

<R> **(9) Power control register 1 (PC1)**

This register is used to enable or disable operation of the configurable amplifiers, the general-purpose operational amplifier, and the D/A converters.

Use this register to stop unused functions to reduce power consumption and noise.

When using one of configurable amplifier channels Ch1 to Ch3, be sure to set the control bit that corresponds to the channel (bits 0 to 2) to 1.

Reset signal input clears this register to 00H.

Address: 11H After reset: 00H R/W

	7	6	5	4	3	2	1	0
PC1	DAC4OF	DAC3OF	DAC2OF	DAC1OF	AMP4OF	AMP3OF	AMP2OF	AMP1OF

AMP3OF	Operation of configurable amplifier Ch3
0	Stop operation of configurable amplifier Ch3.
1	Enable operation of configurable amplifier Ch3.

AMP2OF	Operation of configurable amplifier Ch2
0	Stop operation of configurable amplifier Ch2.
1	Enable operation of configurable amplifier Ch2.

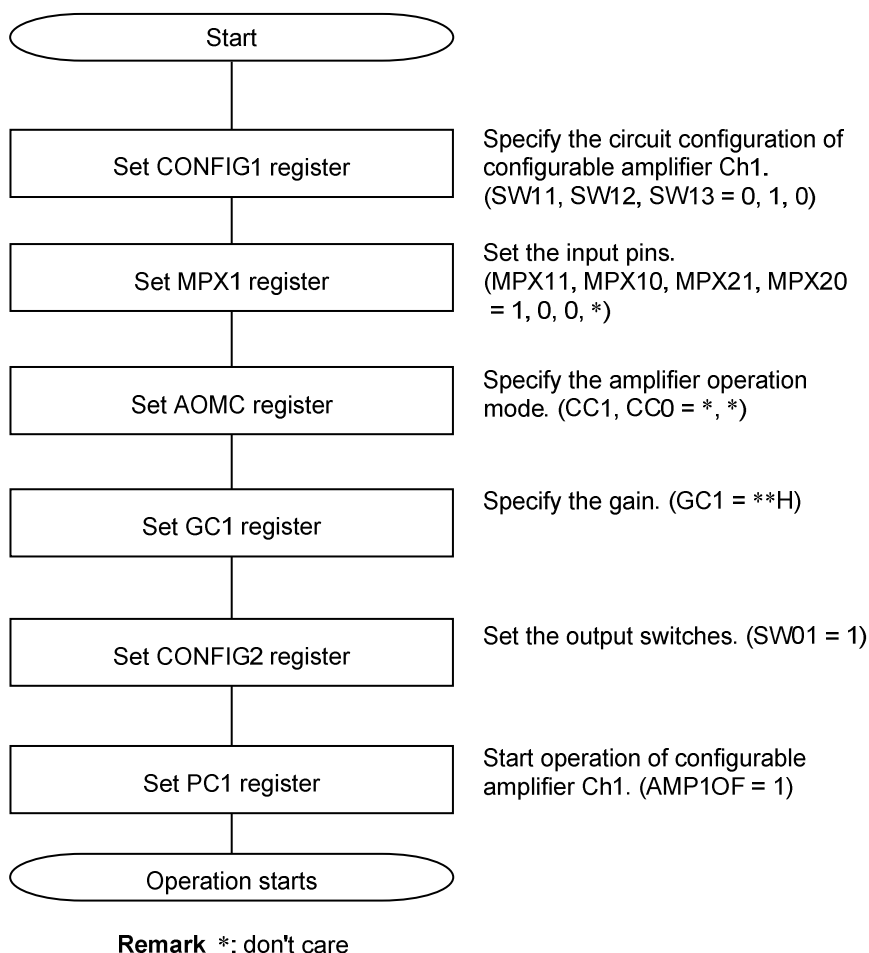
AMP1OF	Operation of configurable amplifier Ch1
0	Stop operation of configurable amplifier Ch1.
1	Enable operation of configurable amplifier Ch1.

2.4 Procedure for Operating the Configurable Amplifiers

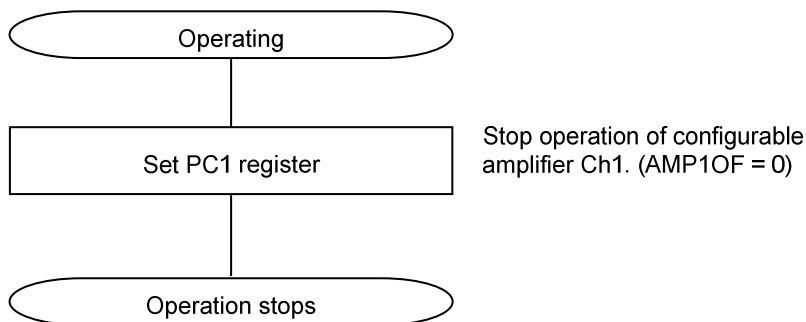
(1) Procedure when using the amplifiers as non-inverting amplifiers

When using the configurable amplifiers as non-inverting amplifiers, follow the procedures below to start and stop the amplifiers.

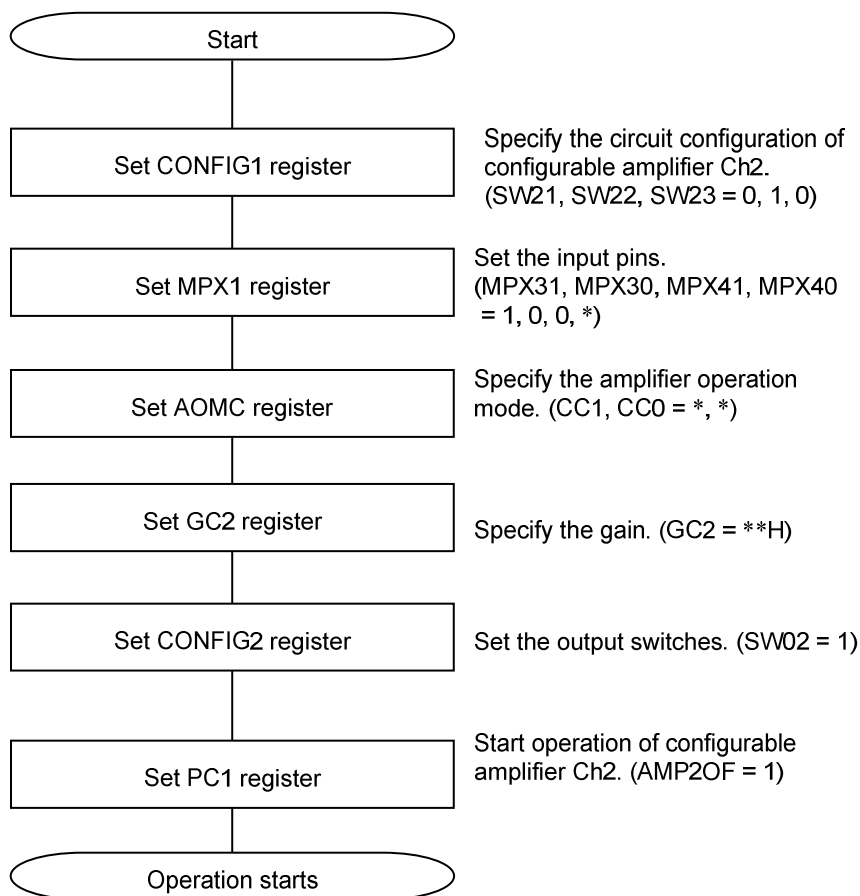
Example of procedure for starting configurable amplifier Ch1 (non-inverting amplifier)



Example of procedure for stopping configurable amplifier Ch1 (non-inverting amplifier)

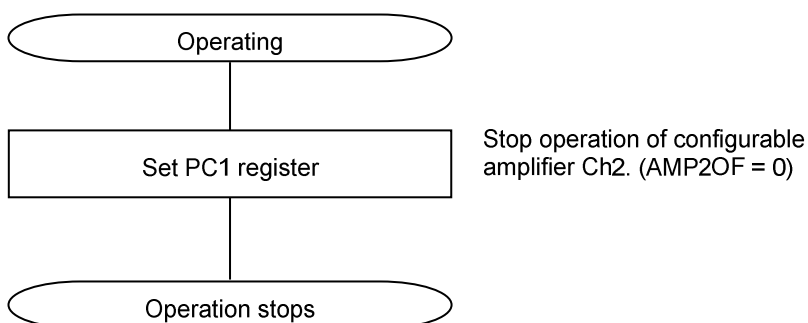


Example of procedure for starting configurable amplifier Ch2 (non-inverting amplifier)

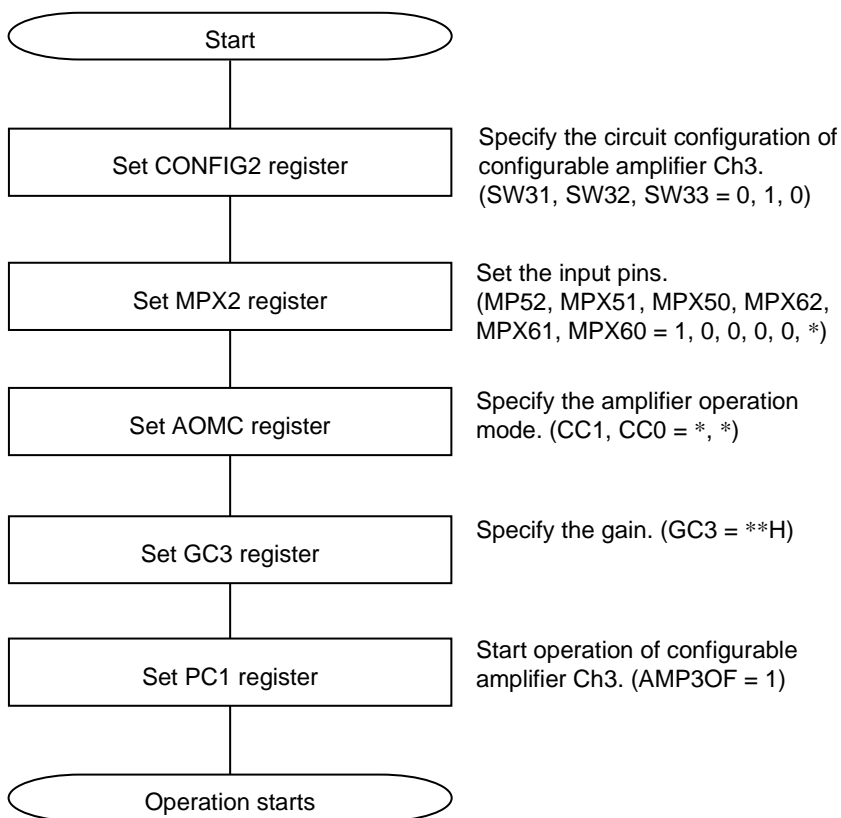


Remark *: don't care

Example of procedure for stopping configurable amplifier Ch2 (non-inverting amplifier)

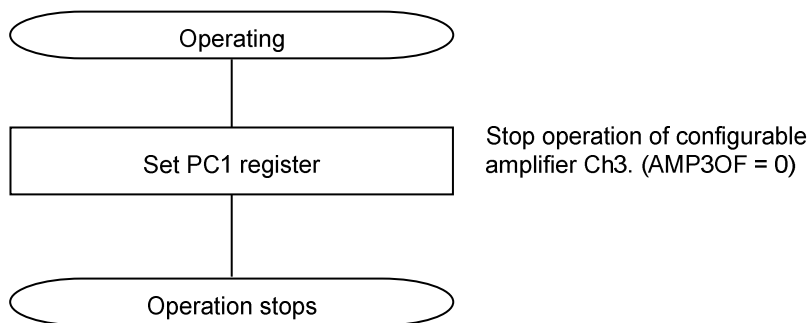


Example of procedure for starting configurable amplifier Ch3 (non-inverting amplifier)



Remark *: don't care

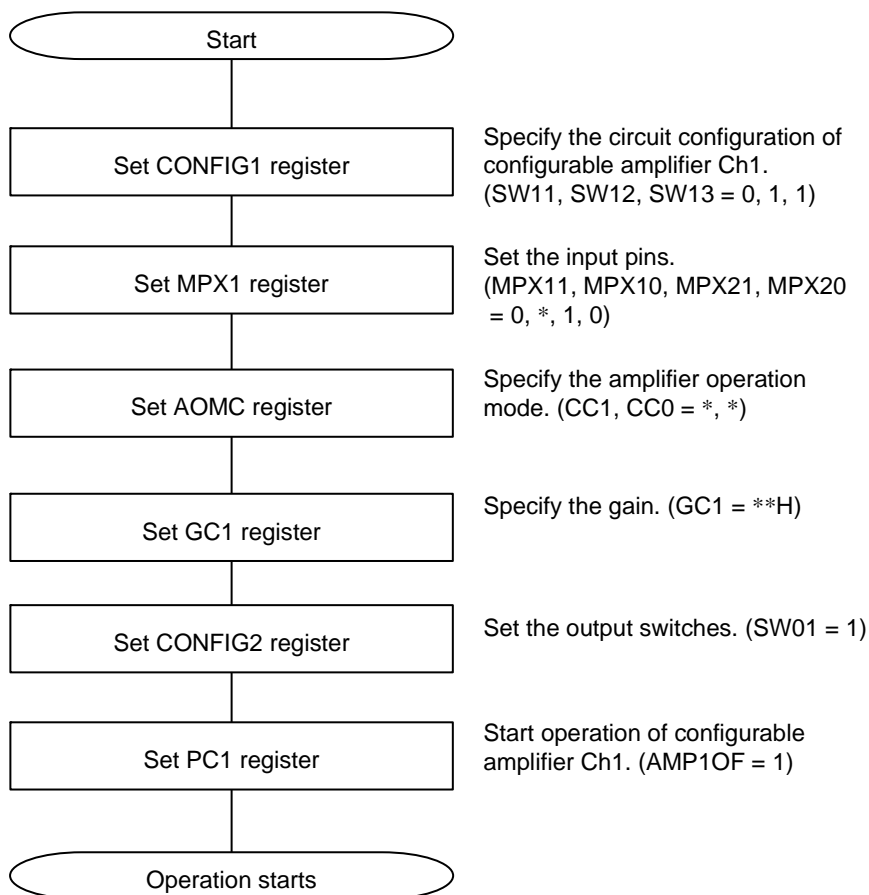
Example of procedure for stopping configurable amplifier Ch3 (non-inverting amplifier)



(2) Procedure when using the amplifiers as inverting amplifiers

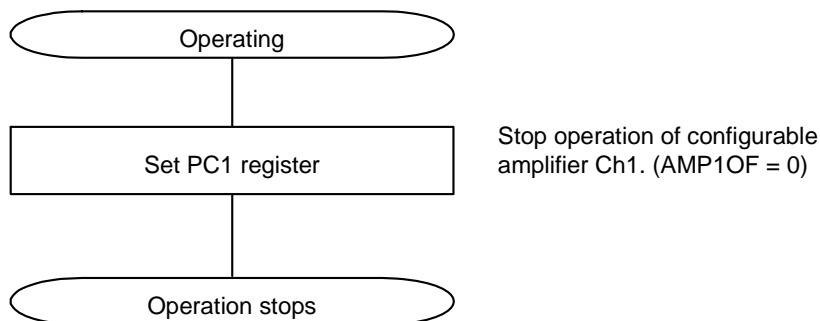
When using the configurable amplifiers as inverting amplifiers, follow the procedures below to start and stop the amplifiers.

Example of procedure for starting configurable amplifier Ch1 (inverting amplifier)

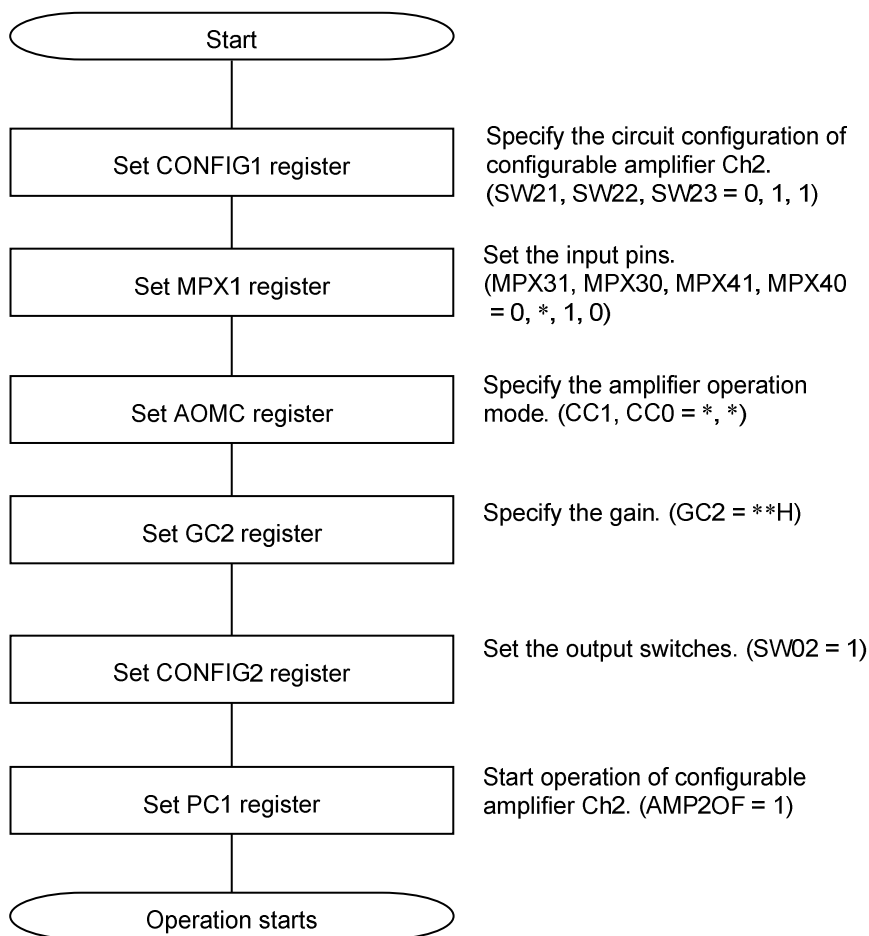


Remark *: don't care

Example of procedure for stopping configurable amplifier Ch1 (inverting amplifier)

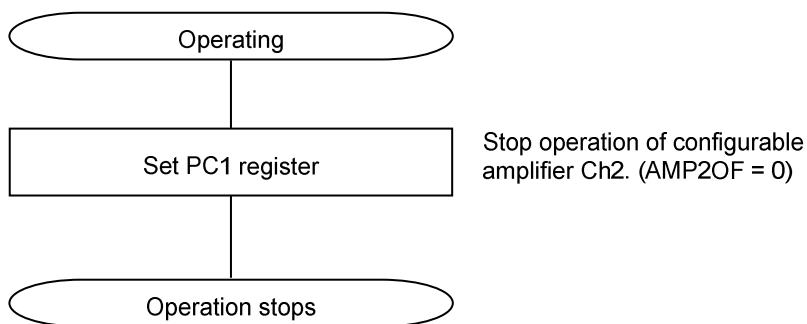


Example of procedure for starting configurable amplifier Ch2 (inverting amplifier)

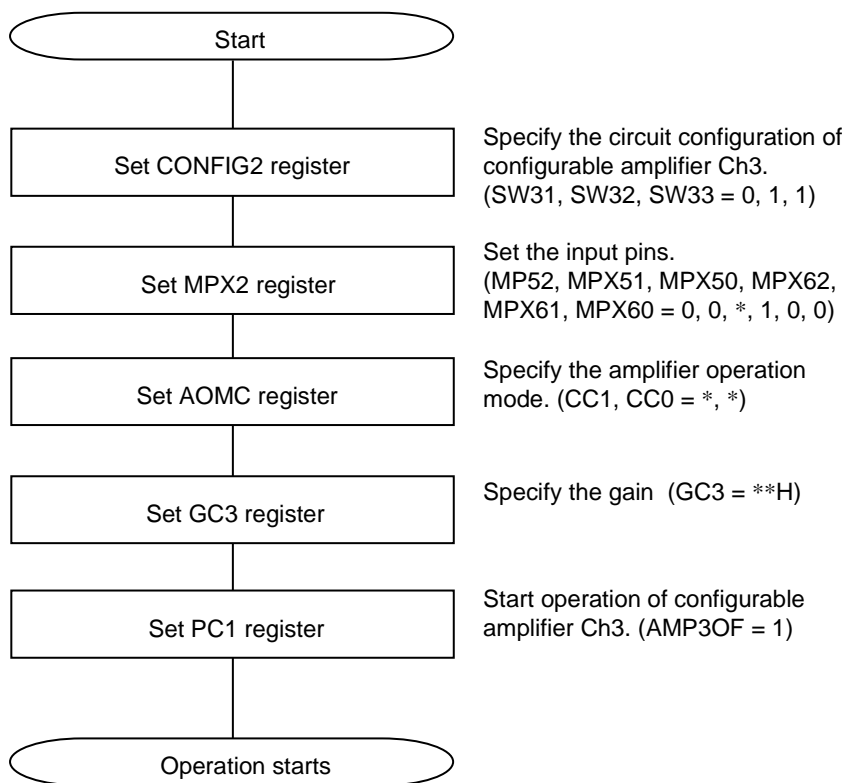


Remark *: don't care

Example of procedure for stopping configurable amplifier Ch2 (inverting amplifier)

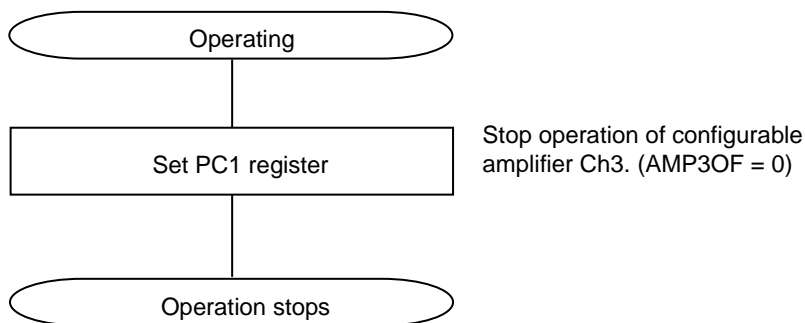


Example of procedure for starting configurable amplifier Ch3 (inverting amplifier)



Remark *: don't care

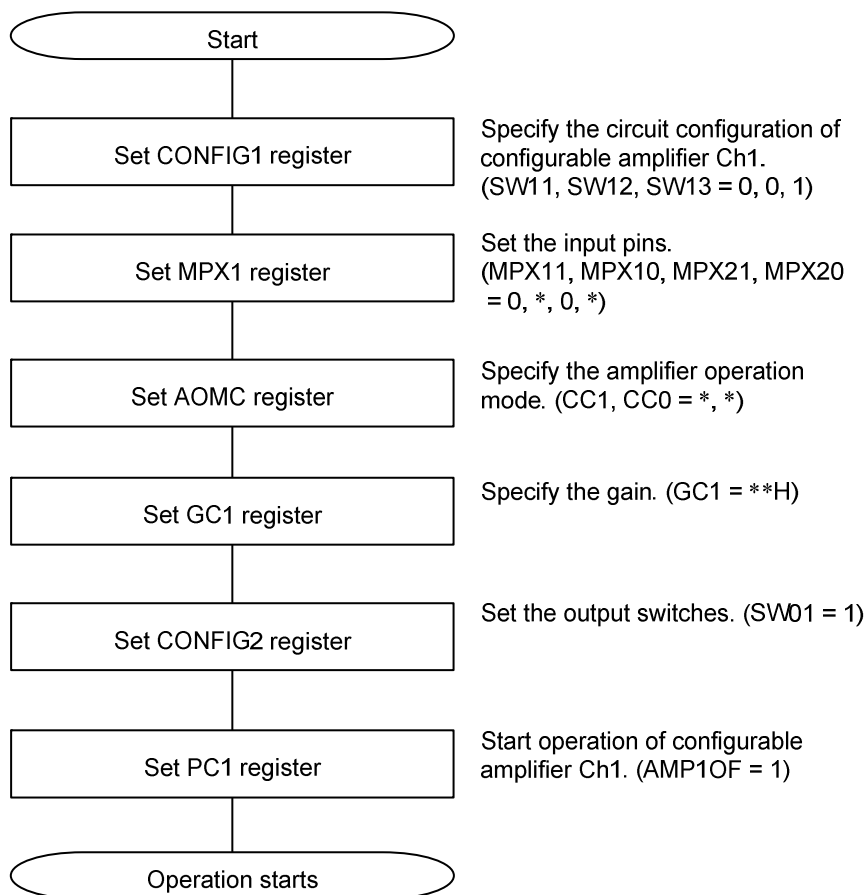
Example of procedure for stopping configurable amplifier Ch3 (inverting amplifier)



(3) Procedure when using the amplifiers as differential amplifiers

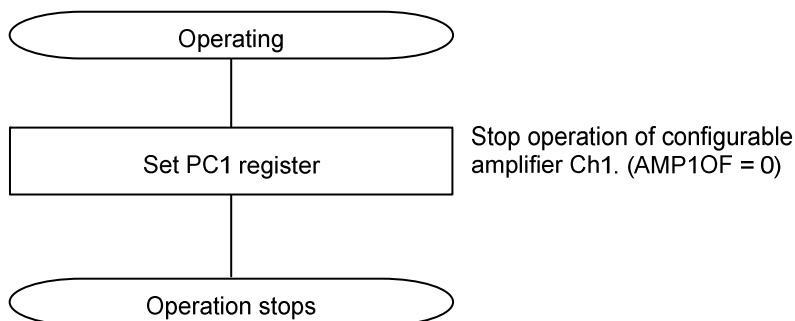
When using the configurable amplifiers together as a differential amplifier, follow the procedures below to start and stop the amplifier.

Example of procedure for starting configurable amplifier Ch1 (differential amplifier)

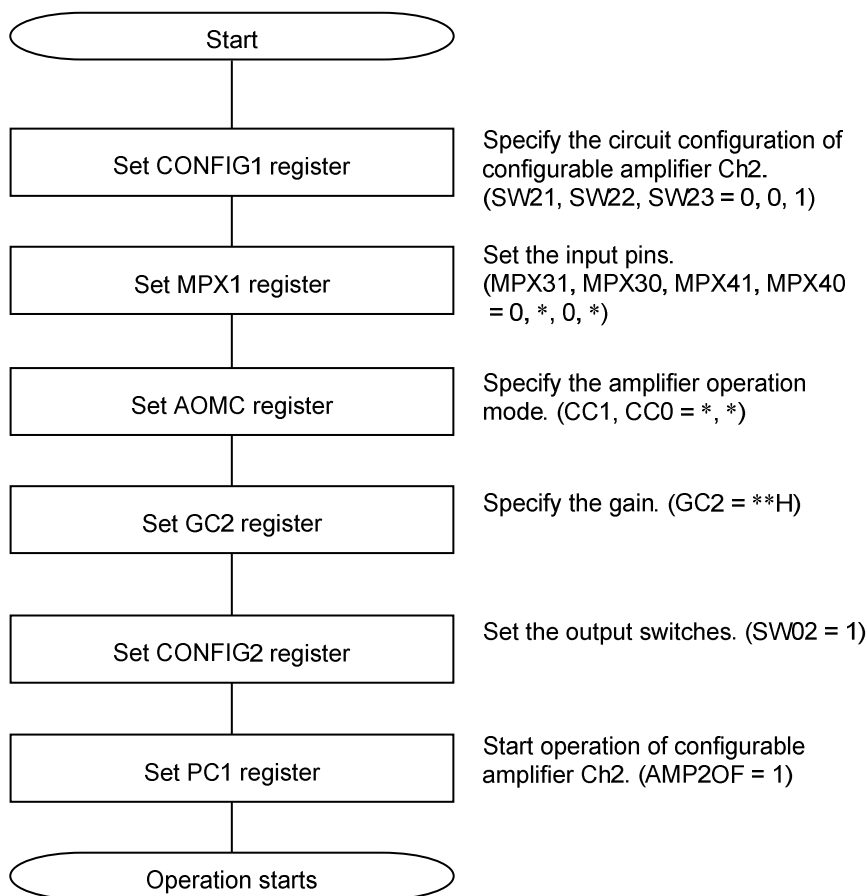


Remark *: don't care

Example of procedure for stopping configurable amplifier Ch1 (differential amplifier)

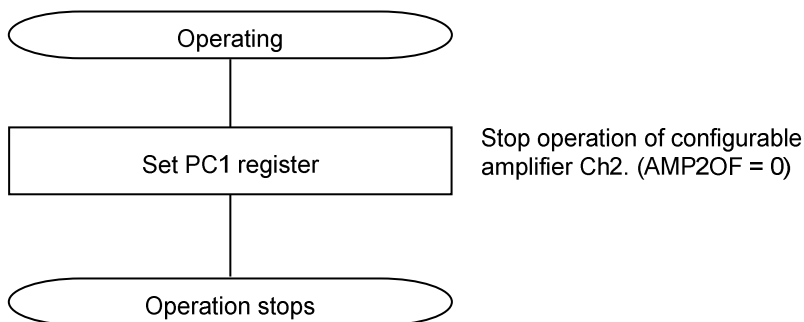


Example of procedure for starting configurable amplifier Ch2 (differential amplifier)

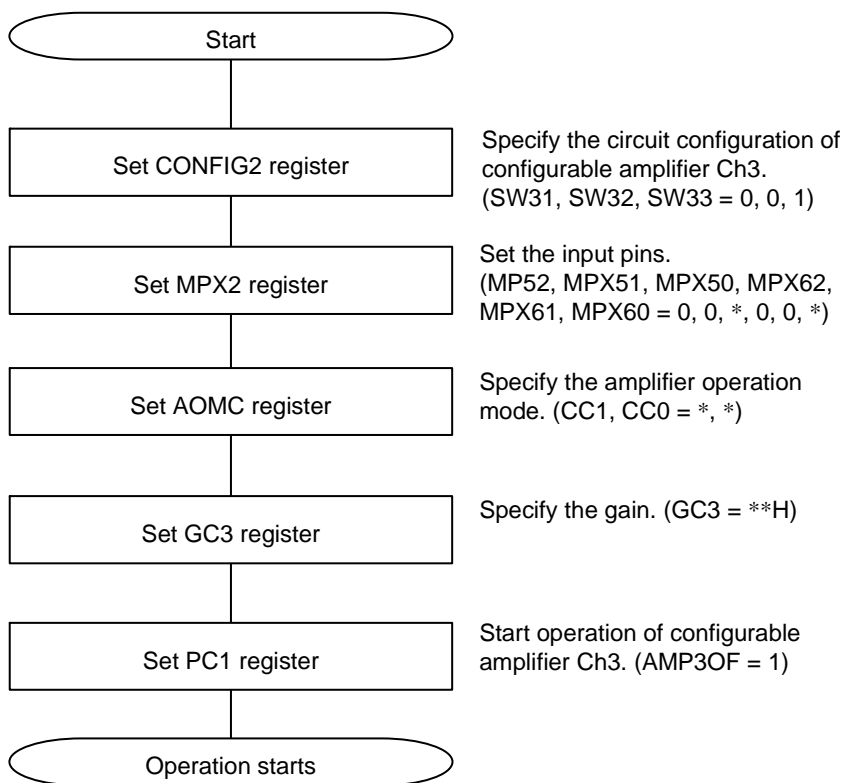


Remark *: don't care

Example of procedure for stopping configurable amplifier Ch2 (differential amplifier)

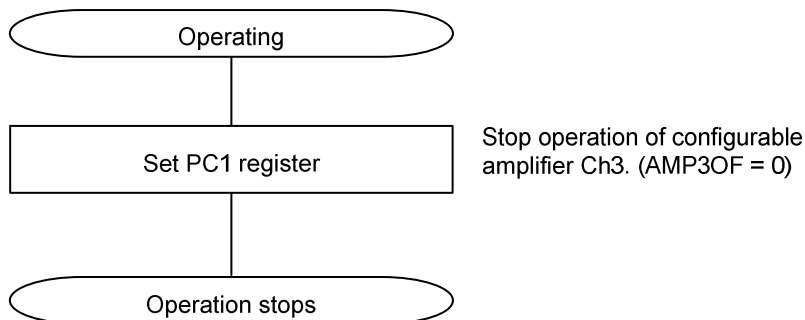


Example of procedure for starting configurable amplifier Ch3 (differential amplifier)



Remark *: don't care

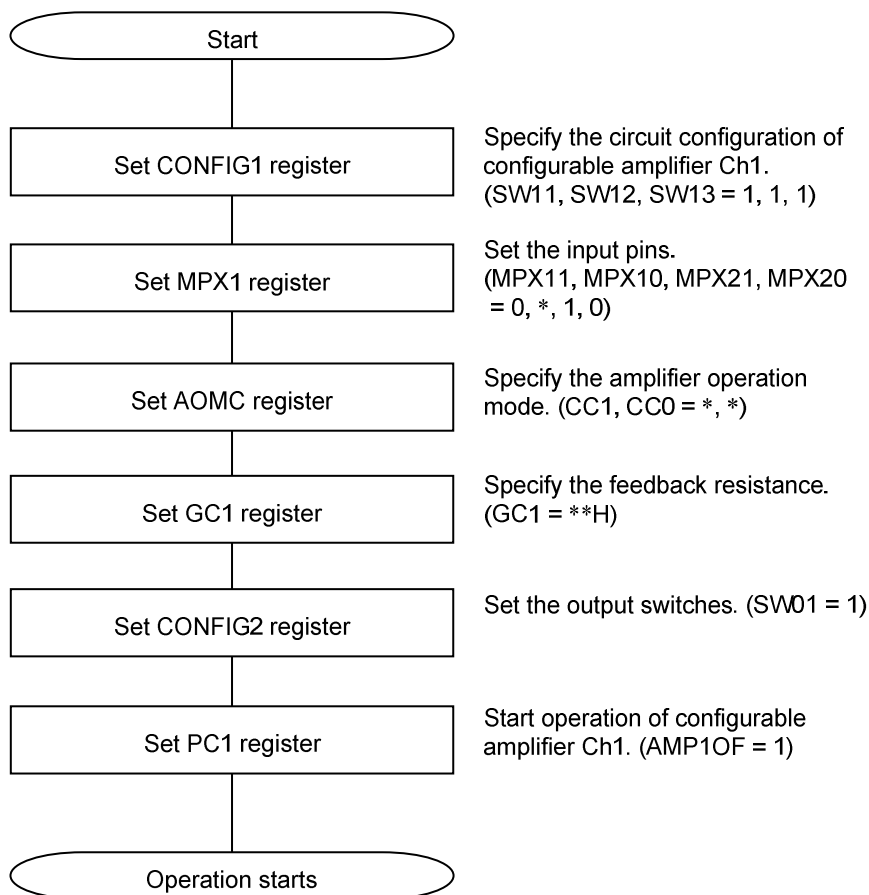
Example of procedure for stopping configurable amplifier Ch3 (differential amplifier)



(4) Procedure when using the amplifiers as a transimpedance amplifier

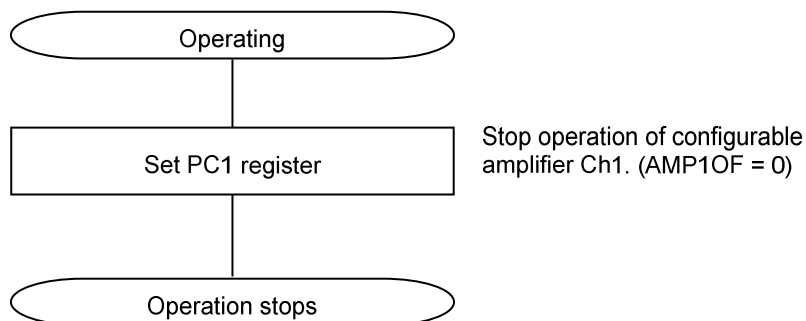
When using the configurable amplifiers as transimpedance amplifiers, follow the procedures below to start and stop the amplifiers.

Example of procedure for starting configurable amplifier Ch1 (transimpedance amplifier)

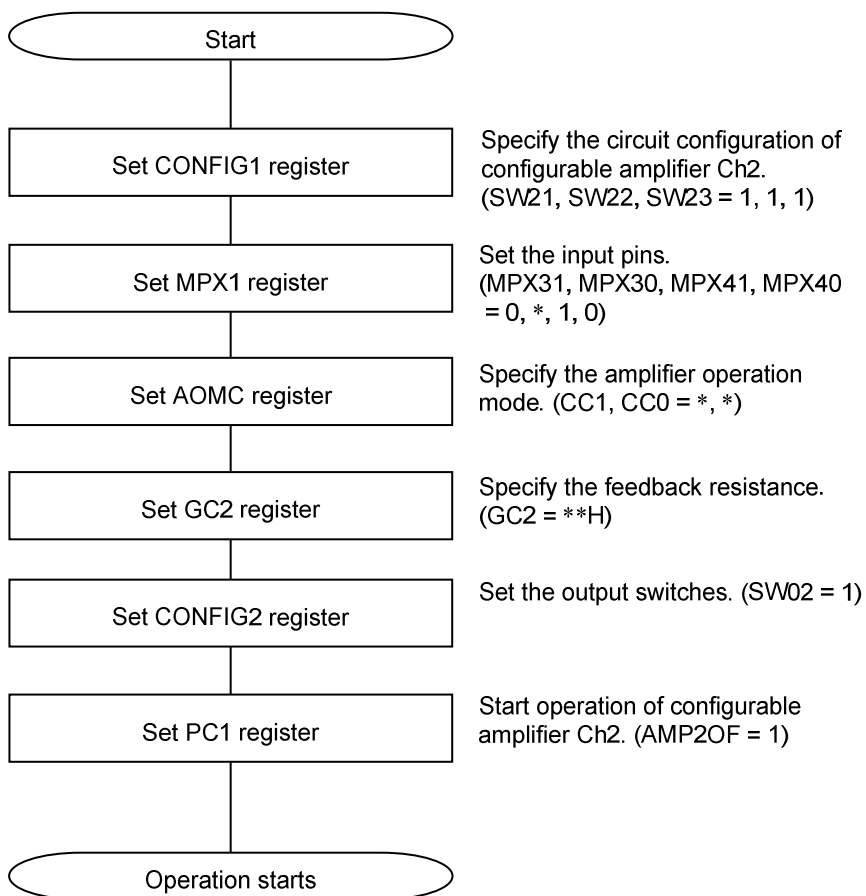


Remark *: don't care

Example of procedure for stopping configurable amplifier Ch1 (transimpedance amplifier)

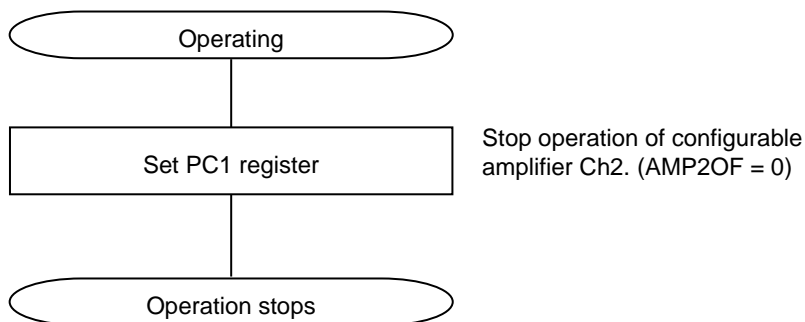


Example of procedure for starting configurable amplifier Ch2 (transimpedance amplifier)

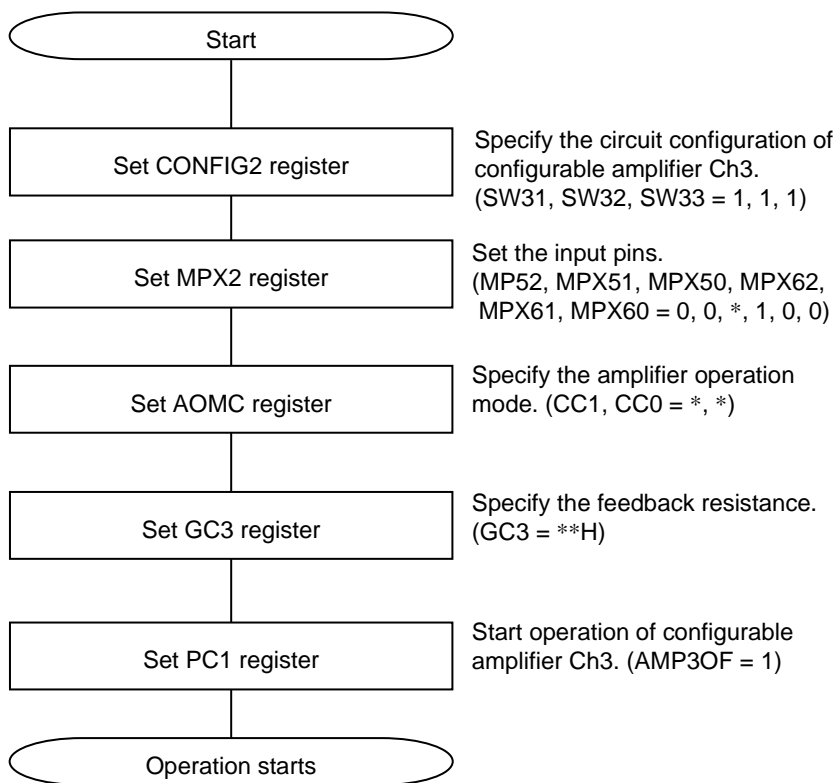


Remark *: don't care

Example of procedure for stopping configurable amplifier Ch2 (transimpedance amplifier)

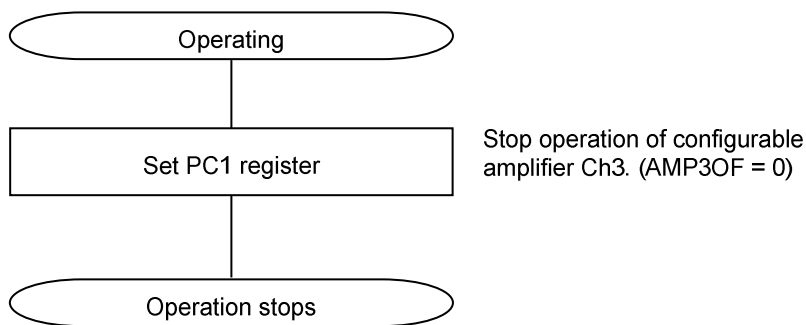


Example of procedure for starting configurable amplifier Ch3 (transimpedance amplifier)



Remark *: don't care

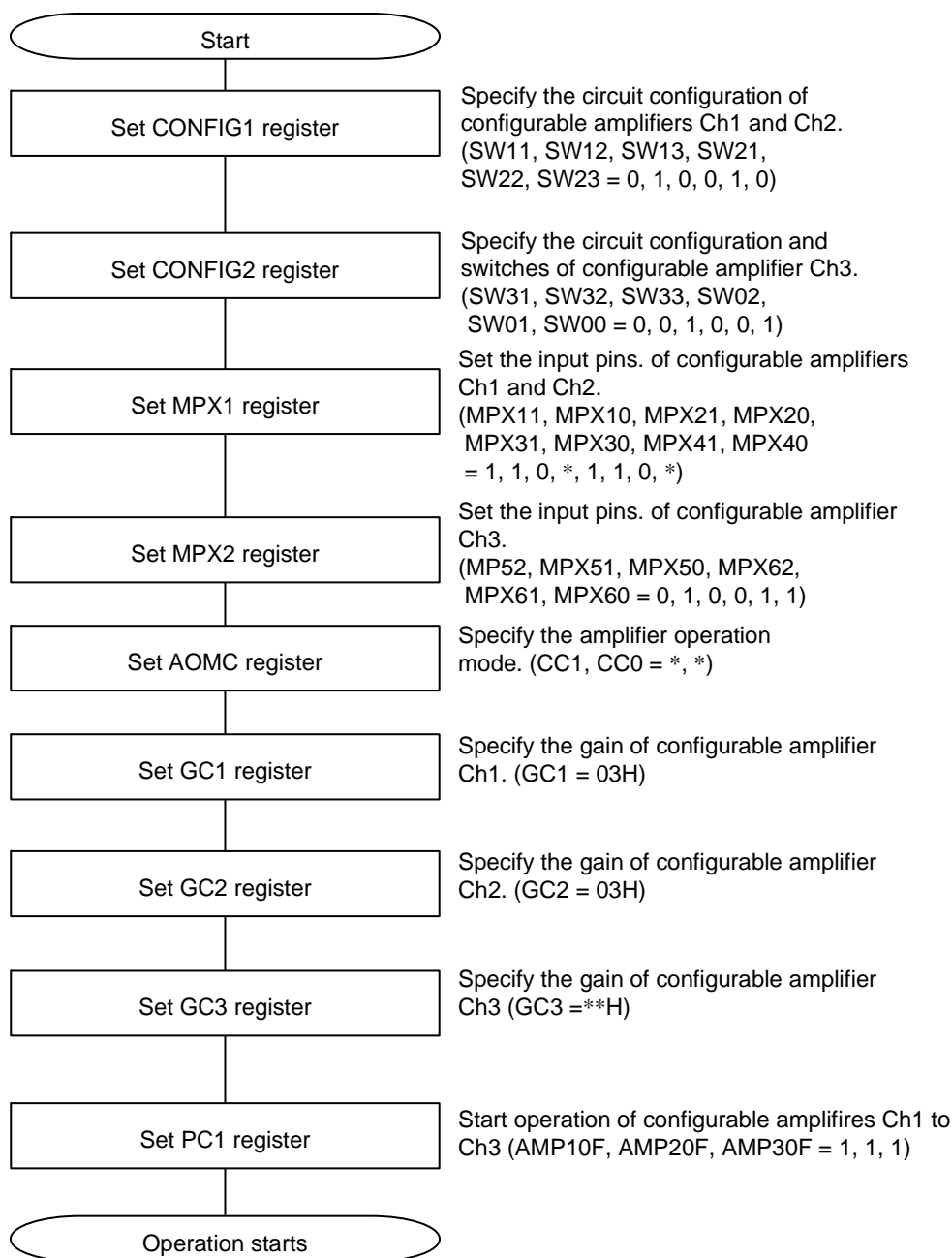
Example of procedure for stopping configurable amplifier Ch3 (transimpedance amplifier)



(5) Procedure when using the amplifiers as an instrumentation amplifier

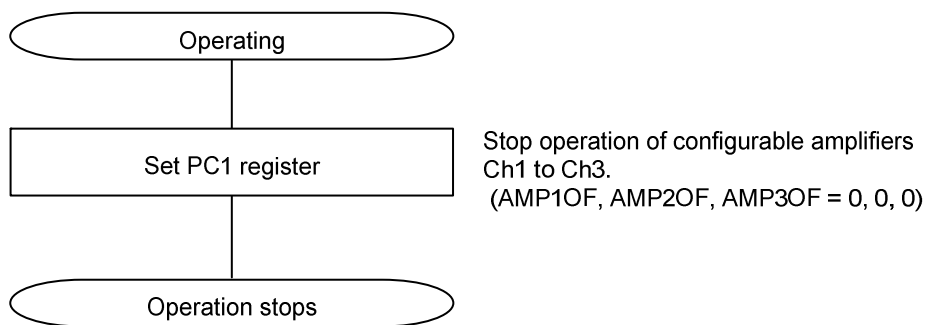
When using the configurable amplifiers together as an instrumentation amplifier, follow the procedures below to start and stop the amplifier.

Example of procedure for starting configurable amplifiers (instrumentation amplifier)



Remark *: don't care

Example of procedure for stopping configurable amplifiers (instrumentation amplifier)



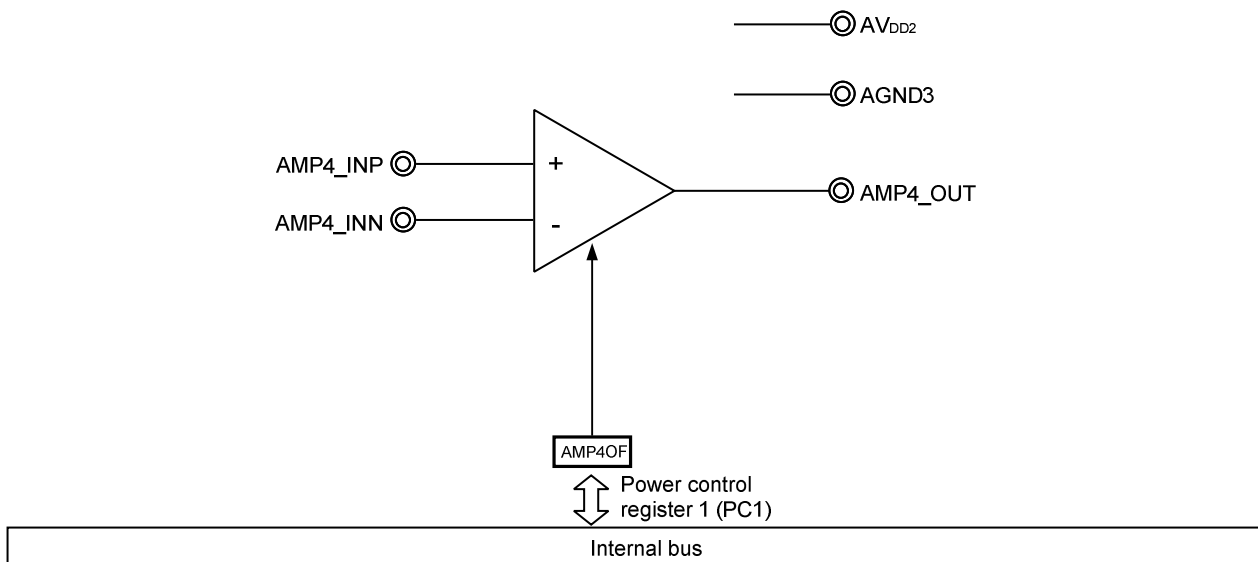
3. General-Purpose Operational Amplifier

The RAA730500 has one on-chip general-purpose operational amplifier-purpose channel.

3.1 Overview of General-Purpose Operational Amplifier Features

- Rail-to-rail I/O
- Includes a power-off function.

3.2 Block Diagram



3.3 Registers Controlling the General-purpose operational amplifier

The general-purpose operational amplifier is controlled by power control register 1 (PC1).

(1) Power control registers 1 (PC1)

This register is used to enable or disable operation of the configurable amplifiers, the general-purpose operational amplifier, and the D/A converters. Use this register to stop unused functions to reduce power consumption and noise. When using the general-purpose operational amplifier, be sure to set bit 3 to 1. Reset signal input clears this register to 00H.

Address: 11H After reset: 00H R/W

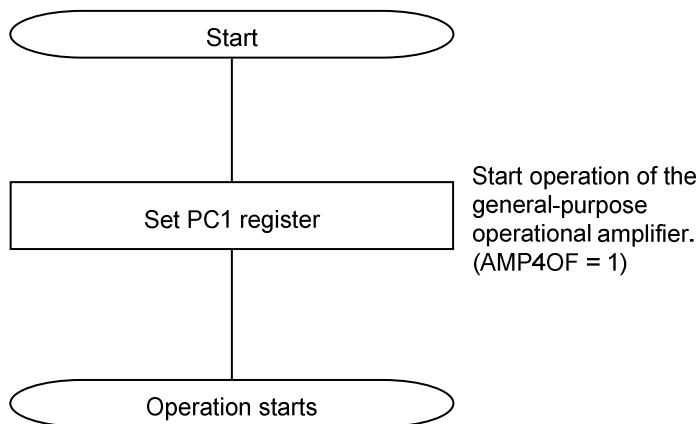
	7	6	5	4	3	2	1	0
PC1	DAC4OF	DAC3OF	DAC2OF	DAC1OF	AMP4OF	AMP3OF	AMP2OF	AMP1OF

AMP4OF	Operation of general-purpose operational amplifier
0	Stop operation of the general-purpose operational amplifier.
1	Enable operation of the general-purpose operational amplifier.

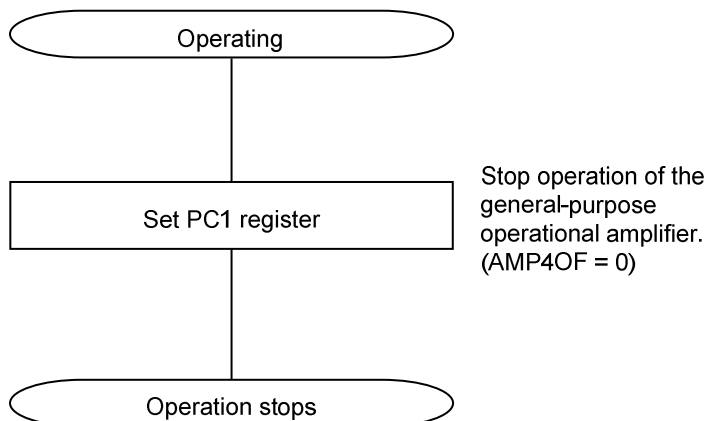
3.4 Procedure for Operating the General-purpose operational amplifier

Follow the procedures below to start and stop the general-purpose operational amplifier.

Example of procedure for starting the general-purpose operational amplifier



Example of procedure for stopping the general-purpose operational amplifier



4. Synchronous Detection Amplifier

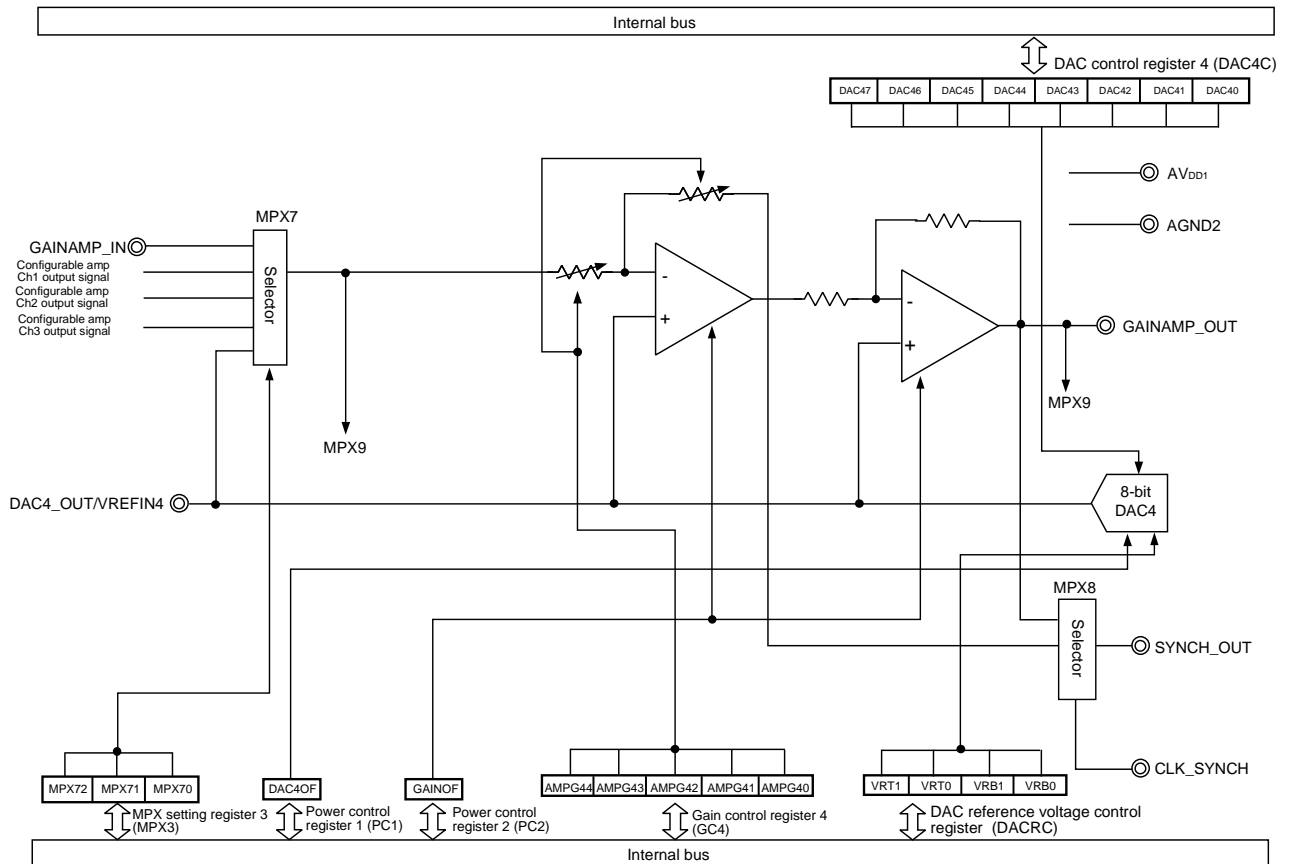
The RAA730500 has one on-chip gain adjustment amplifier channel with synchronous detection function as a synchronous detection amplifier. A synchronous detection amplifier has two output pins (GAINAMP_OUT pin, SYNCH_OUT pin). The output from SYNCH_OUT pin can be inverted output or non-inverted output according to the input of CLK_SYNC pin.

<R> 4.1 Overview of Synchronous Detection Amplifier Features

- Rail-to-rail I/O
- The gain can be specified between 6 dB and 40 dB in 18 steps.
- Includes a power-off function.
- Includes a synchronous detector.
 - CLK_SYNC = H: Inverted output signal (SYNCH_OUT pin)
 - CLK_SYNC = L: Non-inverted output signal (SYNCH_OUT pin)

And also, the DAC4_OUT output signals can be used as the reference voltage for synchronous detection amplifier. If D/A converter is powered off, the external reference voltage is to be input to DAC4_OUT/VREFIN4 pin. For details about use of D/A converter, see 5. D/A Converter.

4.2 Block Diagram



4.3 Registers Controlling the Synchronous Detection Amplifier

The synchronous detection amplifier is controlled by the following 3 registers:

- MPX setting register 3 (MPX3)
- Gain control register 4 (GC4)
- Power control register 2 (PC2)

(1) MPX setting register 3 (MPX3)

This register is used to control MPX7, MPX9, MPX10, and MPX11.

When selecting the signal to be input to the synchronous detection amplifier, use bits 2 to 0.

Reset signal input clears this register to 00H.

Address: 05H After reset: 00H R/W

	7	6	5	4	3	2	1	0
MPX3	0	0	SCF2	SCF1	SCF0	MPX72	MPX71	MPX70

MPX72	MPX71	MPX70	Source of synchronous detection amplifier input
0	0	0	GAINAMP_IN pin
0	0	1	Configurable amplifier Ch1 output signal
0	1	0	Configurable amplifier Ch2 output signal
0	1	1	Configurable amplifier Ch3 output signal
1	0	0	D/A converter Ch4 output signal or VREFN4 pin
Other than above			Setting prohibited

Remark Bits 7 and 6 are fixed at 0 of read only.

(2) Gain control register 4 (GC4)

This register is used to specify the gain of the synchronous detection amplifier.
Reset signal input clears this register to 00H.

Address: 0AH After reset: 00H R/W

	7	6	5	4	3	2	1	0
GC4	0	0	0	AMP44	AMP43	AMP42	AMP41	AMP40

AMP44	AMP43	AMP42	AMP41	AMP40	Gain
0	0	0	0	0	6 dB
0	0	0	0	1	8 dB
0	0	0	1	0	10 dB
0	0	0	1	1	12 dB
0	0	1	0	0	14 dB
0	0	1	0	1	16 dB
0	0	1	1	0	18 dB
0	0	1	1	1	20 dB
0	1	0	0	0	22 dB
0	1	0	0	1	24 dB
0	1	0	1	0	26 dB
0	1	0	1	1	28 dB
0	1	1	0	0	30 dB
0	1	1	0	1	32 dB
0	1	1	1	0	34 dB
0	1	1	1	1	36 dB
1	0	0	0	0	38 dB
1	0	0	0	1	40 dB
Other than above					Setting prohibited

Remark Bits 7 to 5 are fixed at 0 of read only.

(3) Power control register 2 (PC2)

This register is used to enable or disable operation of the synchronous detection amplifier, the low-pass filter, the high-pass filter, the variable output voltage regulator, the reference voltage generator, and the temperature sensor. Use this register to stop unused functions to reduce power consumption and noise.

When using the synchronous detection amplifier, be sure to set bit 4 to 1.

Reset signal input clears this register to 00H.

Address: 12H After reset: 00H R/W

	7	6	5	4	3	2	1	0
PC2	0	0	0	GAINOF	LPFOF	HPFOF	LDOOF	TEMPOF

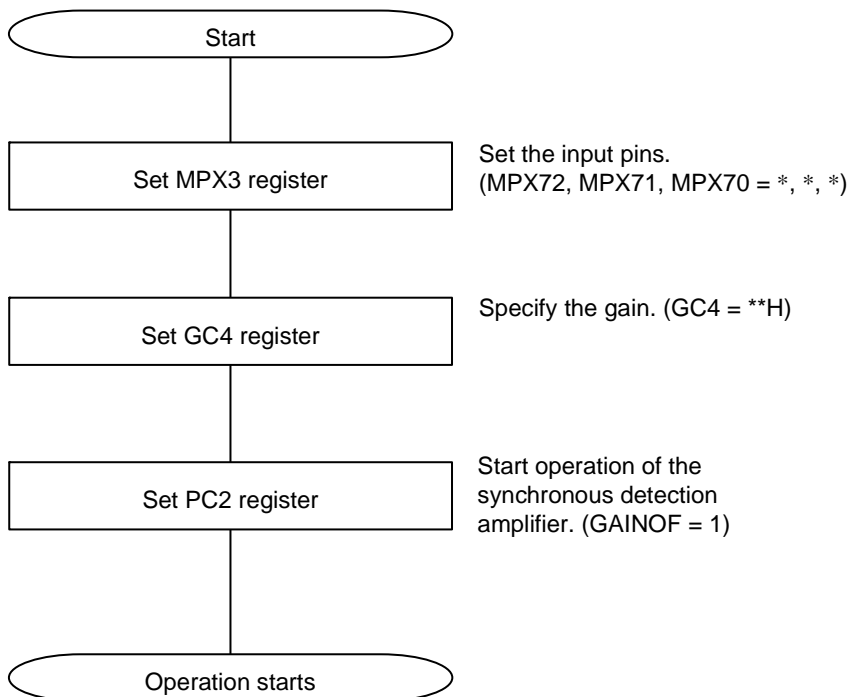
GAINOF	Operation of synchronous detection amplifier
0	Stop operation of the synchronous detection amplifier.
1	Enable operation of the synchronous detection amplifier.

Remark Bits 7 to 5 can be set to 1, but this has no effect on the function.

4.4 Procedure for Operating the Synchronous Detection Amplifier

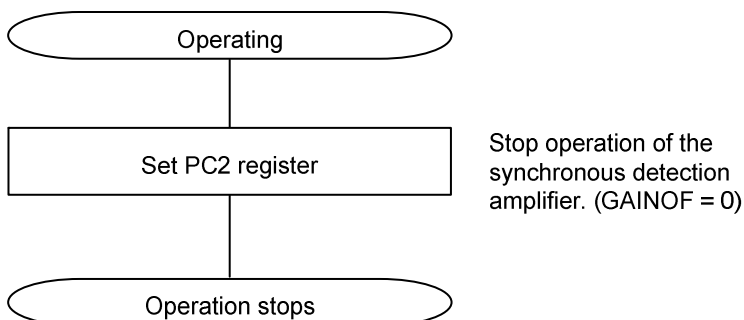
Follow the procedures below to start and stop the synchronous detection amplifier.

Example of procedure for starting the synchronous detection amplifier



Remark *: don't care

Example of procedure for stopping the synchronous detection amplifier



5. D/A Converters

The RAA730500 has four on-chip D/A converter channels.

<R> 5.1 Overview of D/A Converter Features

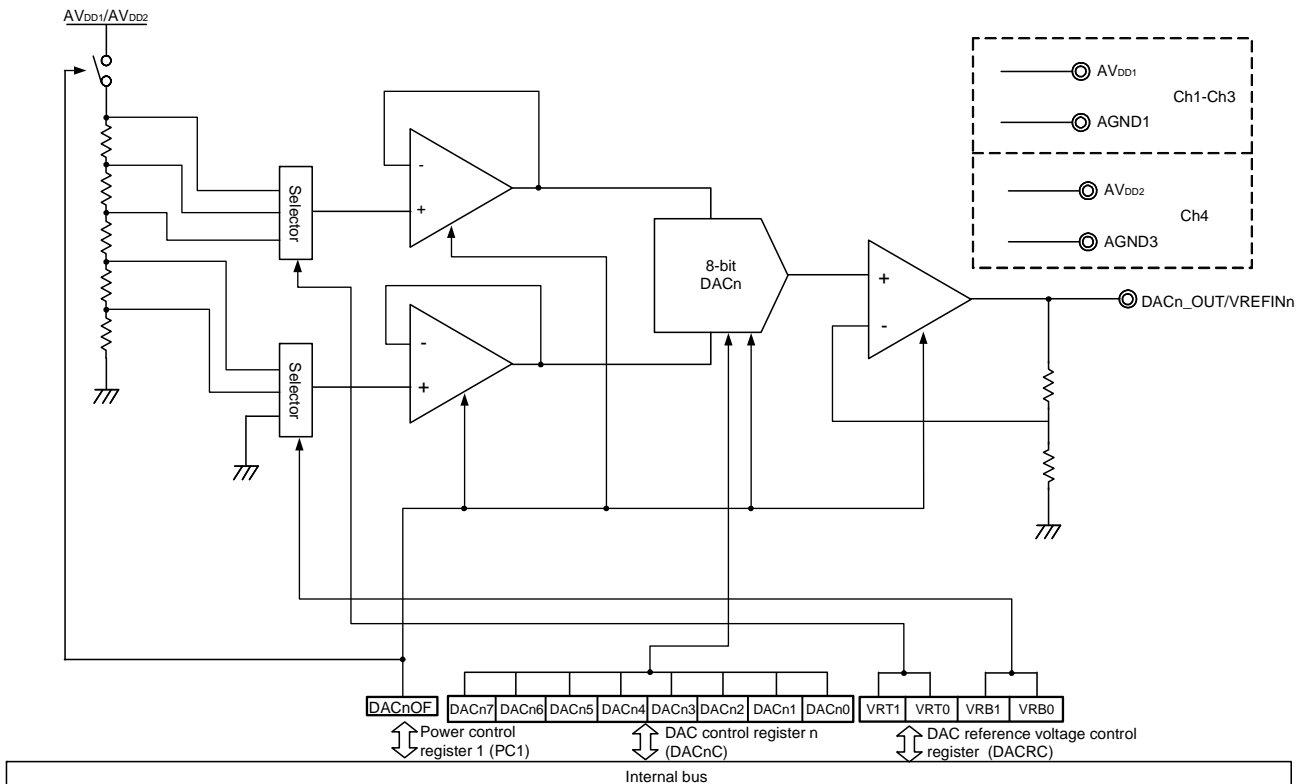
The D/A converters are 8-bit resolution converters that convert digital input signals into analog signals. The D/A converters have the following features:

- 8-bit resolution (× 4 ch: Ch1 to Ch4)
- R-2R ladder method
- Analog output voltage: Output voltage can be calculated with the equation shown below.

$$\text{Output voltage} = \{ (\text{Reference voltage upper limit} - \text{Reference voltage lower limit}) \times m/256 \} + \text{Reference voltage lower limit} \quad (m = 0 \text{ to } 255: \text{Value set to DACnC register})$$
- Controls the reference voltage for the configurable amplifiers, synchronous detection amplifiers, low-pass filter, and high-pass filter
- Includes a power-off function.

Remark n = 1 to 4

5.2 Block Diagram



Remark n = 1 to 4

5.3 Registers Controlling the D/A Converters

The D/A converters are controlled by the following 3 registers:

- DAC reference voltage control register (DACRC)
- DAC control registers 1, 2, 3, 4 (DAC1C, DAC2C, DAC3C, DAC4C)
- Power control register 1 (PC1)

<R> (1) DAC reference voltage control register (DACRC)

This register is used to specify the upper (VRT) and lower (VRB) limits of the reference voltage for D/A converter channels Ch1 to Ch4.

When selecting the upper limit of the reference voltage, use bits 3 and 2. When selecting the lower limit of the reference voltage, use bits 1 and 0.

Reset signal input clears this register to 00H.

Address: 0CH After reset: 00H R/W

	7	6	5	4	3	2	1	0
DACRC	0	0	0	0	VRT1	VRT0	VRB1	VRB0

VRT1	VRT0	Reference voltage upper limit (Typ.)
0	0	AV_{DD1}
0	1	$AV_{DD1} \times 4/5$
1	0	$AV_{DD1} \times 3/5$
1	1	AV_{DD1}

VRB1	VRB0	Reference voltage lower limit (Typ.)
0	0	AGND1
0	1	$AV_{DD1} \times 1/5$
1	0	$AV_{DD1} \times 2/5$
1	1	AGND1

Remark Bits 7 to 4 are fixed at 0 of read only.

(2) DAC control registers 1, 2, 3, 4 (DAC1C, DAC2C, DAC3C, DAC4C)

This register is used to specify the analog voltage to be output to the DACn_OUT pin. The DACn_OUT output signal can be used as the reference voltage for the configurable amplifiers, synchronous detection amplifier, low-pass filter, and high-pass filter.

Reset signal input sets this register to 80H.

Address: 0DH (n = 1), 0EH (n = 2), 0FH (n = 3), 10H (n = 4) After reset: 80H R/W

	7	6	5	4	3	2	1	0
DACnC	DACn7	DACn6	DACn5	DACn4	DACn3	DACn2	DACn1	DACn0

Remark 1. n = 1 to 4

2. To calculate the output voltage, see **5. 1 Overview of D/A converter features.**

(3) Power control register 1 (PC1)

This register is used to enable or disable operation of the configurable amplifiers, the general-purpose operational amplifier, and the D/A converters. Use this register to stop unused functions to reduce power consumption and noise.

When using one of D/A converter channels Ch1 to Ch4, be sure to set the control bit that corresponds to the channel (bits 7 to 4) to 1.

Reset signal input clears this register to 00H.

Address: 11H After reset: 00H R/W

	7	6	5	4	3	2	1	0
PC1	DAC4OF	DAC3OF	DAC2OF	DAC1OF	AMP4OF	AMP3OF	AMP2OF	AMP1OF

DAC4OF	Operation of D/A converter Ch4
0	Stop operation of D/A converter Ch4.
1	Enable operation of D/A converter Ch4.

DAC3OF	Operation of D/A converter Ch3
0	Stop operation of D/A converter Ch3.
1	Enable operation of D/A converter Ch3.

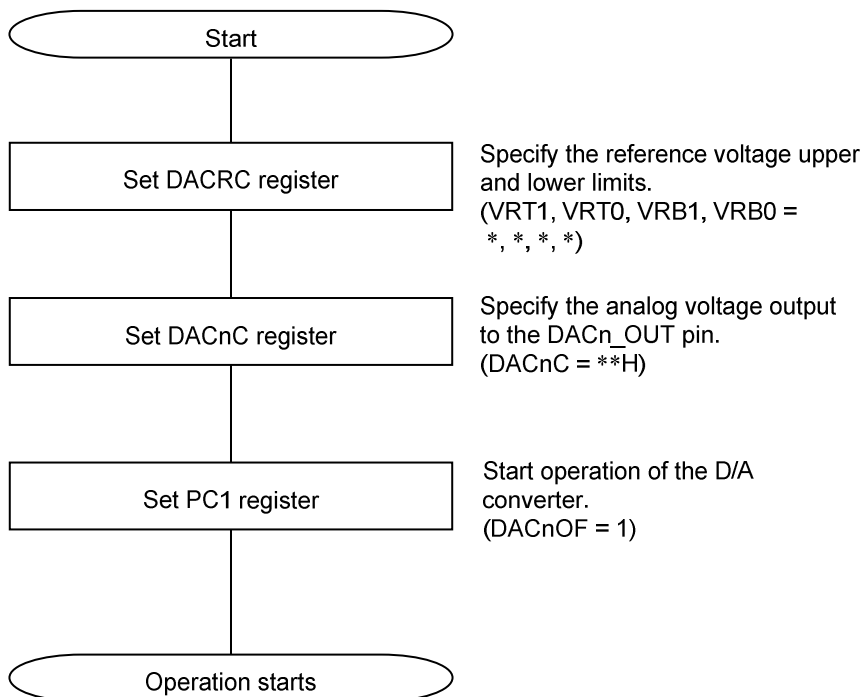
DAC2OF	Operation of D/A converter Ch2
0	Stop operation of D/A converter Ch2.
1	Enable operation of D/A converter Ch2.

DAC1OF	Operation of D/A converter Ch1
0	Stop operation of D/A converter Ch1.
1	Enable operation of D/A converter Ch1.

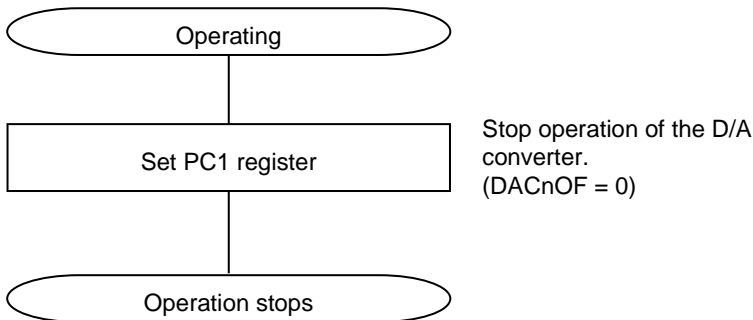
5.4 Procedure for Operating the D/A Converters

Follow the procedures below to start and stop the D/A converters.

Example of procedure for starting the D/A converters



Example of procedure for stopping the D/A converters



Remark *: don't care
n = 1 to 4

5.5 Notes on Using D/A Converters

Observe the following points when using the D/A converters:

- (1) Only a very small current can flow from the DACn_OUT pin because the output impedance of the D/A converters is high. If the load input impedance is low, insert a follower amplifier between the load and the DACn_OUT pin. Also, make sure that the wiring between the pin and the follower amplifier or load is as short as possible (because of the high output impedance). If it is not possible to keep the wiring short, take measures such as surrounding the pin with a ground pattern.
- (2) If inputting an external reference power supply to the VREFINn pin, be sure to set the DACnOF bit to 0.

Remark n = 1 to 4

6. Low-Pass Filter

The RAA730500 has one on-chip switched-capacitor low-pass filter channel.

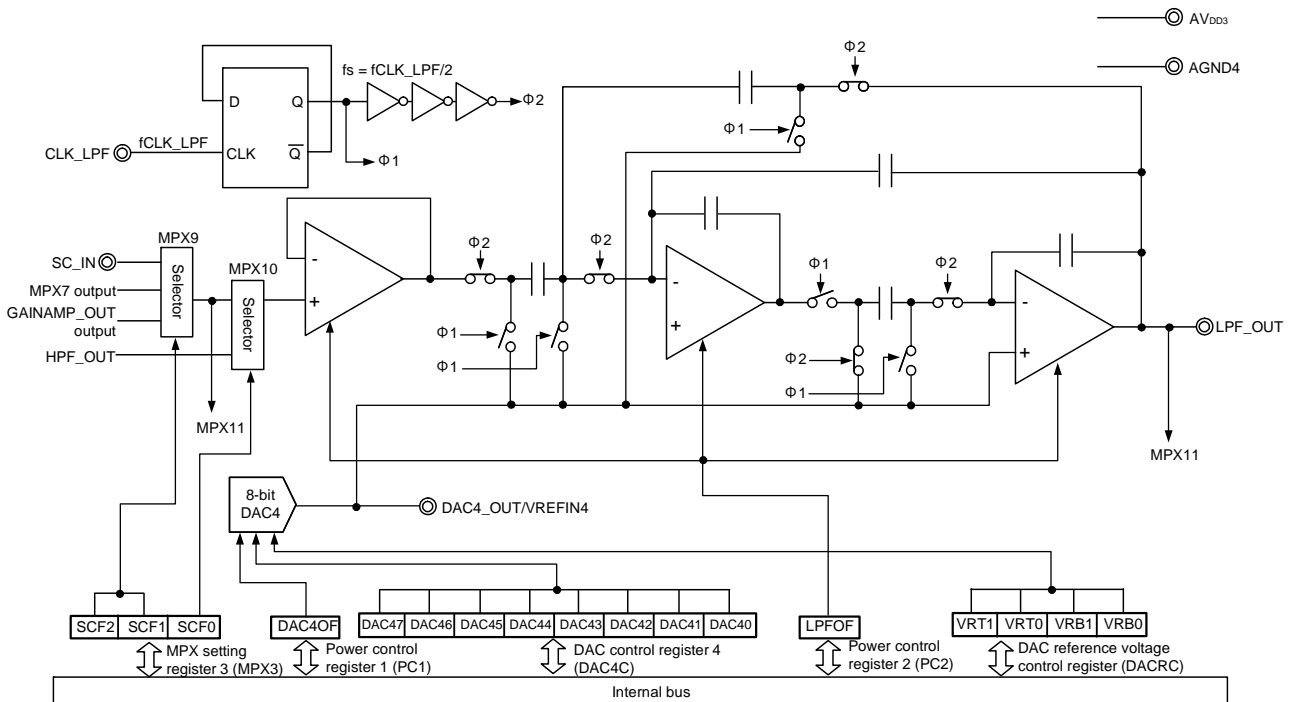
<R> 6.1 Overview of Low-Pass Filter Features

- Butterworth characteristics (Q value = 0.702)
- Cutoff frequency (fc) range: 9 Hz to 4.5 kHz
- External input clock frequency (fCLK_LPF) range: $f_c \times 2/0.009 = 2 \text{ kHz to } 1 \text{ MHz}$
- Includes a power-off function.

And also, the DAC4_OUT output signals can be used as the reference voltage for low-pass filter. If D/A converter is powered off, the external reference voltage is to be input to DAC4_OUT/VREFIN4 pin. For details about use of D/A converter, see 5 D/A Converter.

- Remarks 1.** The internal control clock (fs) of the low-pass filter has a duty of 50%, so the external input clock is divided by two at the internal D flip-flop before being used for the low-pass filter. If the internal control clock frequency (fs) is 100 kHz, therefore, input a 200 kHz clock signal to the CLK_LPF pin.
- 2.** The phase of the signal input to the low-pass filter inverts after passing through the low-pass filter.

6.2 Block Diagram



6.3 Registers Controlling the Low-Pass Filter

The low-pass filter is controlled by the following 2 registers:

- MPX setting register 3 (MPX3)
- Power control register 2 (PC2)

(1) MPX setting register 3 (MPX3)

This register is used to control MPX7, MPX9, MPX10, and MPX11.

When selecting the signal to be input to the filter circuits, use bits 5 and 4.

When switching the order in which signals are processed by the low-pass and high-pass filters, use bit 3.

Reset signal input clears this register to 00H.

Address: 05H After reset: 00H R/W

	7	6	5	4	3	2	1	0
MPX3	0	0	SCF2	SCF1	SCF0	MPX72	MPX71	MPX70

SCF2	SCF1	Source of input to filter circuits
0	0	SC_IN pin
0	1	MPX7 output signal
1	0	Synchronous detection amplifier output signal
1	1	Setting prohibited

SCF0	Specification of the order of filter signal processing
0	The MPX9 output signal passes the low-pass filter and then is input to the high-pass filter.
1	The MPX9 output signal passes the high-pass filter and then is input to the low-pass filter.

Remark Bits 7 and 6 are fixed at 0 of read only.

(2) Power control register 2 (PC2)

This register is used to enable or disable operation of the synchronous detection amplifier, the low-pass filter, the high-pass filter, the variable output voltage regulator, the reference voltage generator, and the temperature sensor.

Use this register to stop unused functions to reduce power consumption and noise.

When using the low-pass filter, be sure to set bit 3 to 1.

Reset signal input clears this register to 00H.

Address: 12H After reset: 00H R/W

	7	6	5	4	3	2	1	0
PC2	0	0	0	GAINOF	LPFOF	HPFOF	LDOOF	TEMPOF

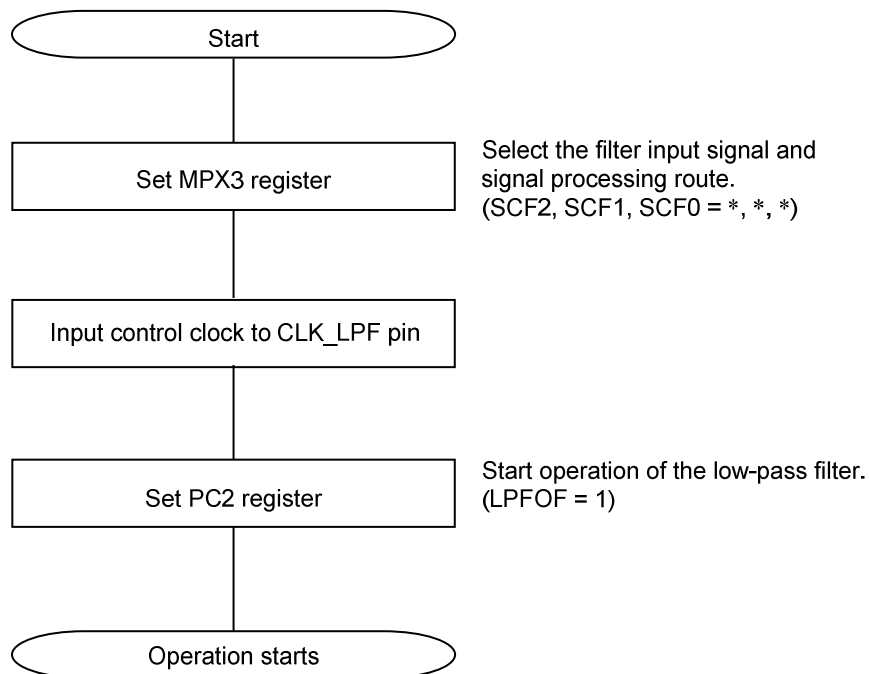
LPFOF	Operation of low-pass filter
0	Stop operation of the low-pass filter.
1	Enable operation of the low-pass filter.

Remark Bits 7 to 5 can be set to 1, but this has no effect on the function.

6.4 Procedure for Operating the Low-Pass Filter

Follow the procedures below to start and stop the low-pass filter.

Example of procedure for starting the low-pass filter



Remark *: don't care

Example of procedure for stopping the low-pass filter



7. High-Pass Filter

The RAA730500 has one on-chip switched-capacitor high-pass filter channel.

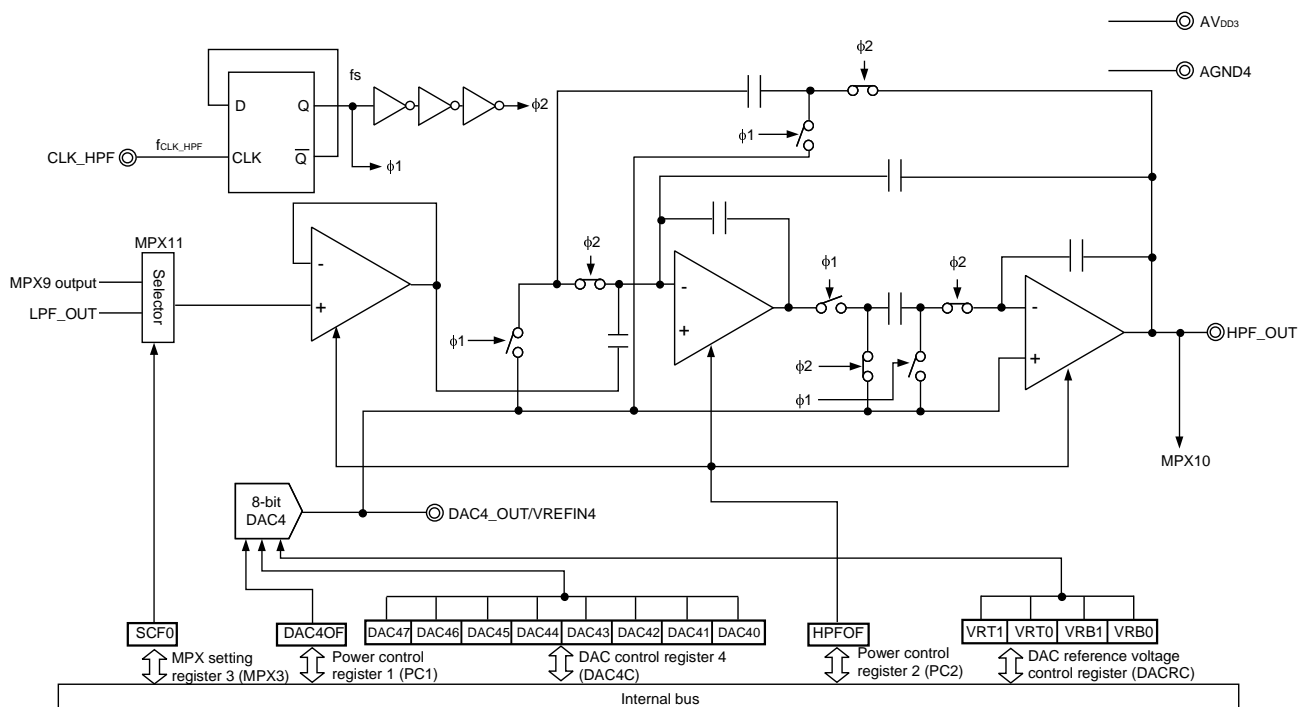
<R> 7.1 Overview of High-Pass Filter Features

- Butterworth characteristics (Q value = 0.702)
- Cutoff frequency (fc) range: 8 to 800 Hz
- External input clock frequency (fCLK_HPF) range: $f_c \times 2/0.008 = 2$ to 200 kHz
- Includes a power-off function.

And also, the DAC4_OUT output signals can be used as the reference voltage for high-pass filter. If D/A converter is powered off, the external reference voltage is to be input to DAC4_OUT/VREFIN4 pin. For details about use of D/A converter, see 5. D/A Converter.

- Remarks 1.** The internal control clock (fs) of the high-pass filter has a duty of 50%, so the external input clock is divided by two at the internal D flip-flop before being used for the low-pass filter. If the internal control clock frequency (fs) is 100 kHz, therefore, input a 200 kHz clock signal to the CLK_HPF pin.
- 2.** The phase of the signal input to the high-pass filter inverts after passing through the low-pass filter.

7.2 Block Diagram



7.3 Registers Controlling the High-Pass Filter

The high-pass filter is controlled by the following 2 registers:

- MPX setting register 3 (MPX3)
- Power control register 2 (PC2)

<R> **(1) MPX setting register 3 (MPX3)**

This register is used to control MPX7, MPX9, MPX10, and MPX11.

When selecting the signal to be input to the filter circuits, use bits 5 and 4.

When switching the order in which signals are processed by the low-pass and high-pass filters, use bit 3.

Reset signal input clears this register to 00H.

Address: 05H After reset: 00H R/W

	7	6	5	4	3	2	1	0
MPX3	0	0	SCF2	SCF1	SCF0	MPX72	MPX71	MPX70

SCF2	SCF1	Source of input to filter circuits
0	0	SC_IN pin
0	1	MPX7 output signal
1	0	Synchronous detection amplifier output signal
1	1	Setting prohibited

SCF0	Specification of the order of filter signal processing
0	The MPX9 output signal passes the low-pass filter and then is input to the high-pass filter.
1	The MPX9 output signal passes the high-pass filter and then is input to the low-pass filter.

Remark Bits 7 and 6 are fixed at 0 of read only.

(2) Power control register 2 (PC2)

This register is used to enable or disable operation of the synchronous detection amplifier, the low-pass filter, the high-pass filter, the variable output voltage regulator, the reference voltage generator, and the temperature sensor.

Use this register to stop unused functions to reduce power consumption and noise.

When using the high-pass filter, be sure to set bit 2 to 1.

Reset signal input clears this register to 00H.

Address: 12H After reset: 00H R/W

	7	6	5	4	3	2	1	0
PC2	0	0	0	GAINOF	LPFOF	HPFOF	LDOOF	TEMPOF

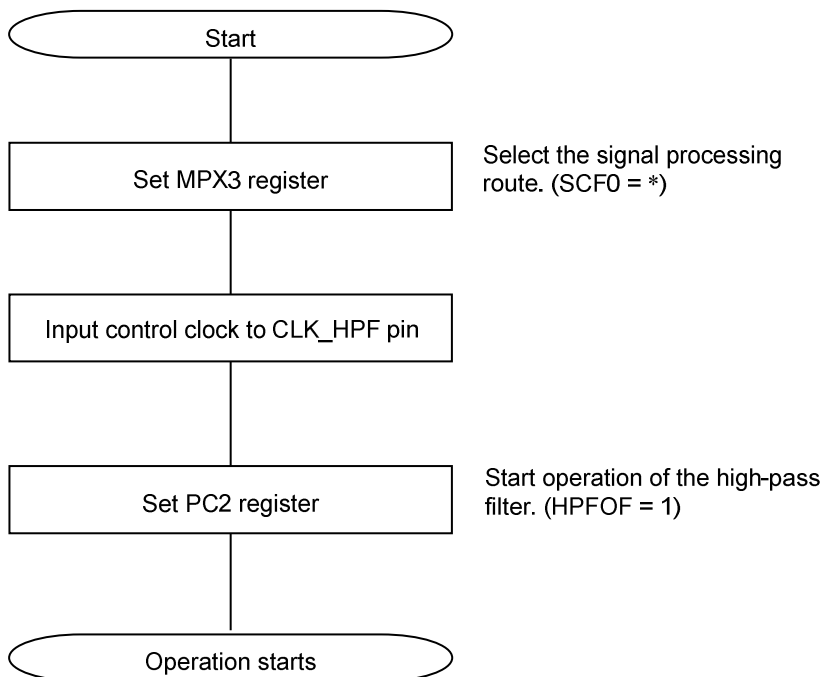
HPFOF	Operation of high-pass filter
0	Stop operation of the high-pass filter.
1	Enable operation of the high-pass filter.

Remark Bits 7 to 5 can be set to 1, but this has no effect on the function.

7.4 Procedure for Operating the High-Pass Filter

Follow the procedures below to start and stop the high-pass filter.

Example of procedure for starting the high-pass filter



Remark *: don't care

Example of procedure for stopping the high-pass filter



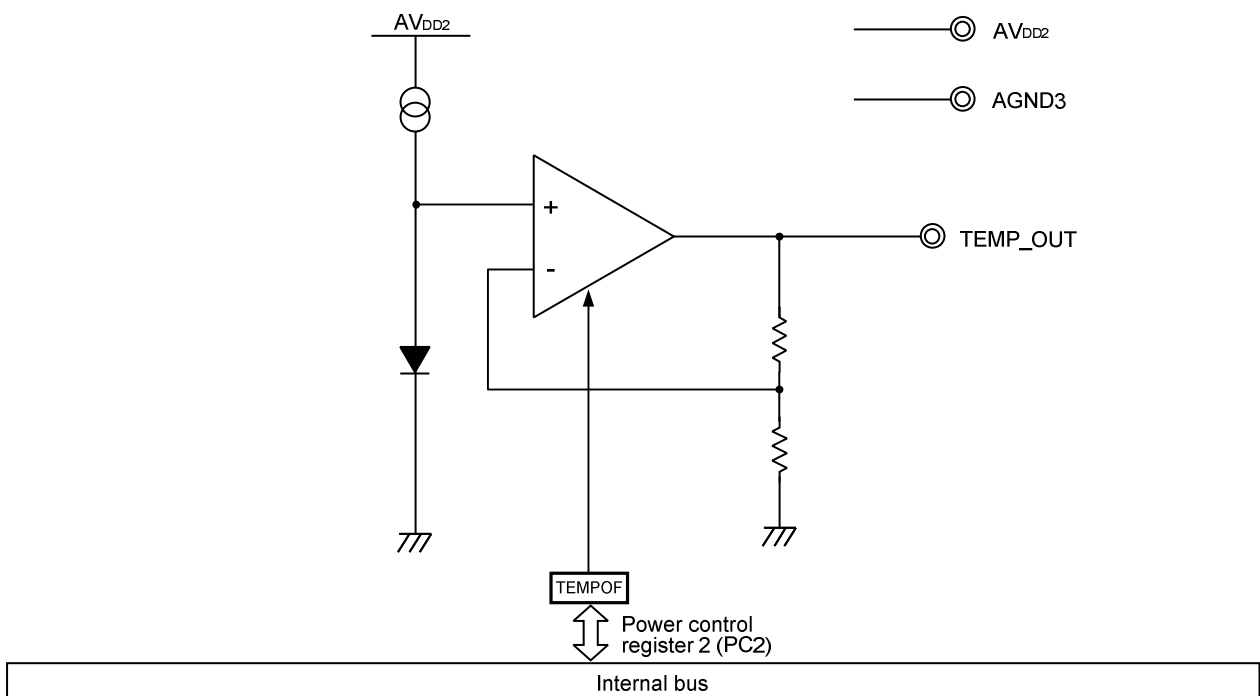
8. Temperature Sensor

The RAA730500 has one on-chip temperature sensor channel.

8.1 Overview of Temperature Sensor Features

- Output voltage temperature coefficient: $-5\text{mV}/^\circ\text{C}$ (Typ.)
- Includes a power-off function.

8.2 Block Diagram



8.3 Registers Controlling the Temperature Sensor

The temperature sensor is controlled by the following register:

- Power control register 2 (PC2)

(1) Power control register 2 (PC2)

This register is used to enable or disable operation of the synchronous detection amplifier, the low-pass filter, the high-pass filter, the variable output voltage regulator, the reference voltage generator, and the temperature sensor.

Use this register to stop unused functions to reduce power consumption and noise.

When selecting the signal to be input to the temperature sensor, be sure to set bit 0 to 1.

Reset signal input clears this register to 00H.

Address: 12H After reset: 00 R/W

	7	6	5	4	3	2	1	0
PC2	0	0	0	GAINOF	LPFOF	HPFOF	LDOOF	TEMPOF

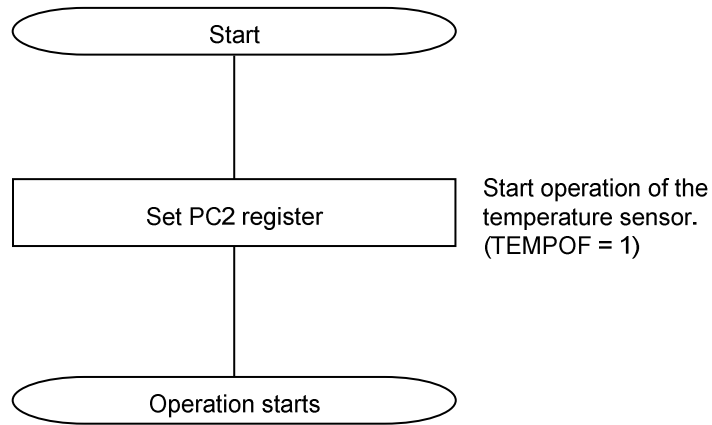
TEMPOF	Operation of temperature sensor
0	Stop operation of the temperature sensor.
1	Enable operation of the temperature sensor.

Remark Bits 7 to 5 can be set to 1, but this has no effect on the function.

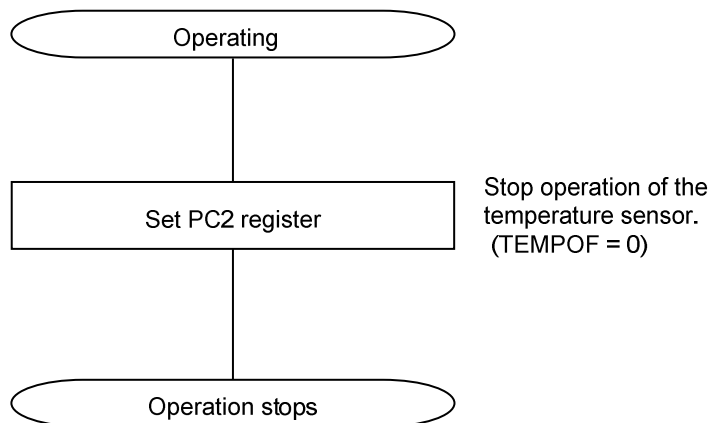
8.4 Procedure for Operating the Temperature Sensor

Follow the procedures below to start and stop the temperature sensor.

Example of procedure for starting the temperature sensor



Example of procedure for stopping the temperature sensor



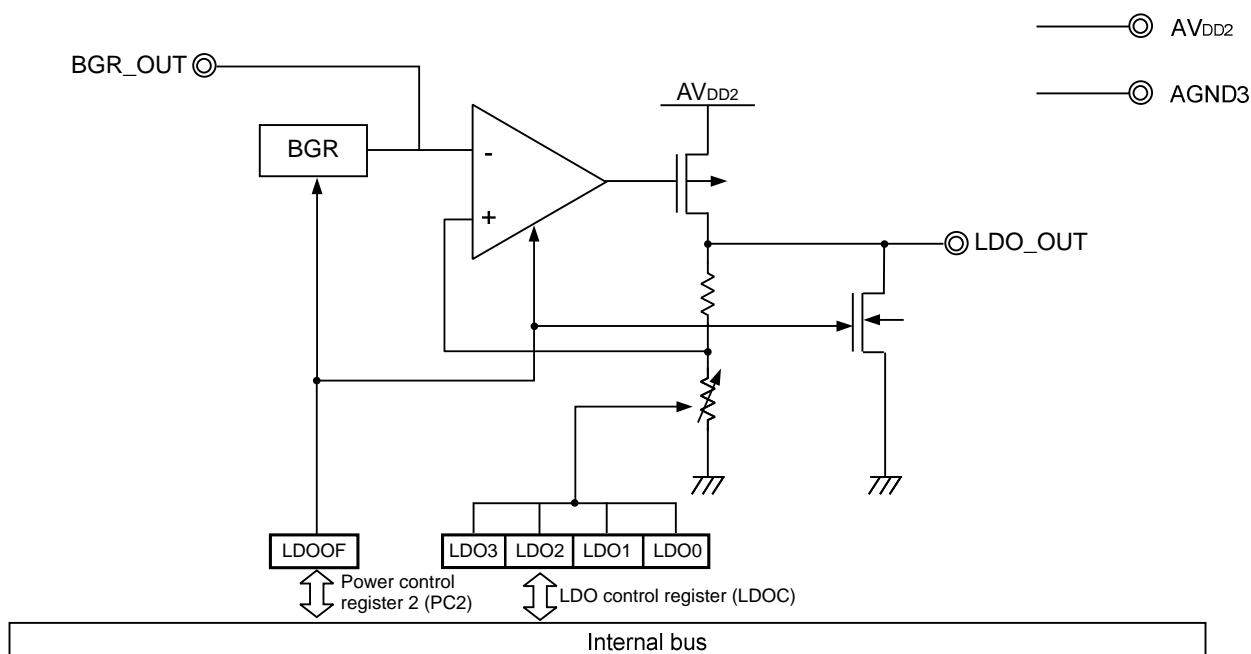
9. Variable Output Voltage Regulator

The RAA730500 has one on-chip variable output voltage regulator channel. This is a series regulator that generates a voltage of 3.3 V (default) from a supplied voltage of 5 V.

9.1 Overview of Variable Output Voltage Regulator Features

- Output voltage range: 2.0 to 3.3 V (Typ.)
- Output current: 15 mA (Max.)
- Includes a power-off function.

9.2 Block Diagram



9.3 Registers Controlling the Variable Output Voltage Regulator

The variable output voltage regulator is controlled by the following 2 registers:

- LDO control register (LDOC)
- Power control register 2 (PC2)

(1) LDO control register (LDOC)

This register is used to specify the output voltage of the variable output voltage regulator. Reset signal input sets this register to 0DH.

Address: 0BH After reset: 0DH R/W

	7	6	5	4	3	2	1	0
LDOC	0	0	0	0	LDO3	LDO2	LDO1	LDO0

LDO3	LDO2	LDO1	LDO0	Output Voltage of Variable Output Voltage Regulator (Typ.)
0	0	0	0	2.0 V
0	0	0	1	2.1 V
0	0	1	0	2.2 V
0	0	1	1	2.3 V
0	1	0	0	2.4 V
0	1	0	1	2.5 V
0	1	1	0	2.6 V
0	1	1	1	2.7 V
1	0	0	0	2.8 V
1	0	0	1	2.9 V
1	0	1	0	3.0 V
1	0	1	1	3.1 V
1	1	0	0	3.2 V
1	1	0	1	3.3 V ^{Note}
Other than above				Setting prohibited

Note Output voltage of 3.3 V is available when the power supply voltage is 4 V or more.

Remark Bits 7 to 4 are fixed at 0 of read only.

(2) Power control register 2 (PC2)

This register is used to enable or disable operation of the synchronous detection amplifier, the low-pass filter, the high-pass filter, the variable output voltage regulator, the reference voltage generator, and the temperature sensor.

Use this register to stop unused functions to reduce power consumption and noise.

When using the variable output voltage regulator and reference voltage generator, be sure to set bit 1 to 1.

Reset signal input clears this register to 00H.

Address: 12H After reset: 00H R/W

	7	6	5	4	3	2	1	0
PC2	0	0	0	GAINOF	LPFOF	HPFOF	LDOOF	TEMPOF

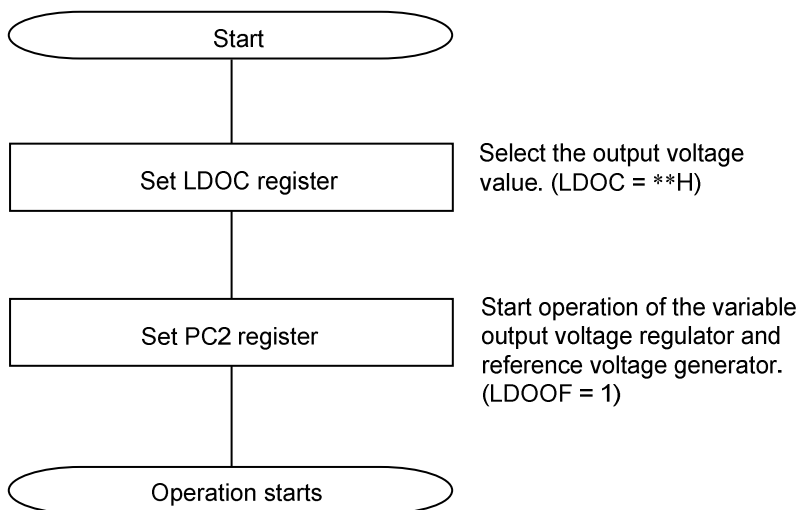
LDOOF	Operation of variable output voltage regulator and reference voltage generator
0	Stop operation of the variable output voltage regulator and reference voltage generator.
1	Enable operation of the variable output voltage regulator and reference voltage generator.

Remark Bits 7 to 5 can be set to 1, but this has no effect on the function.

9.4 Procedure for Operating the Variable Output Voltage Regulator

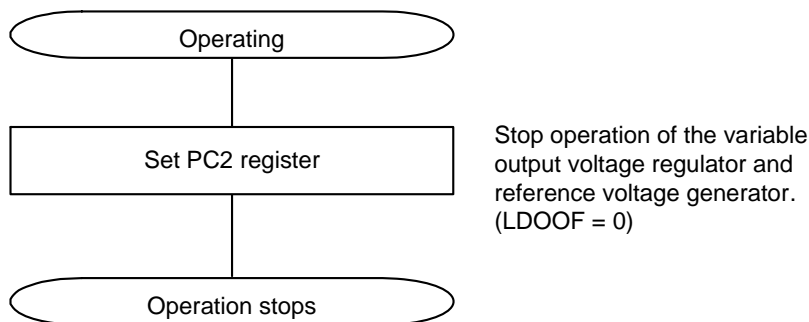
Follow the procedures below to start and stop the variable output voltage regulator and reference voltage generator.

Example of procedure for starting the variable output voltage regulator and reference voltage generator



Remark *: don't care

Example of procedure for stopping the variable output voltage regulator and reference voltage generator



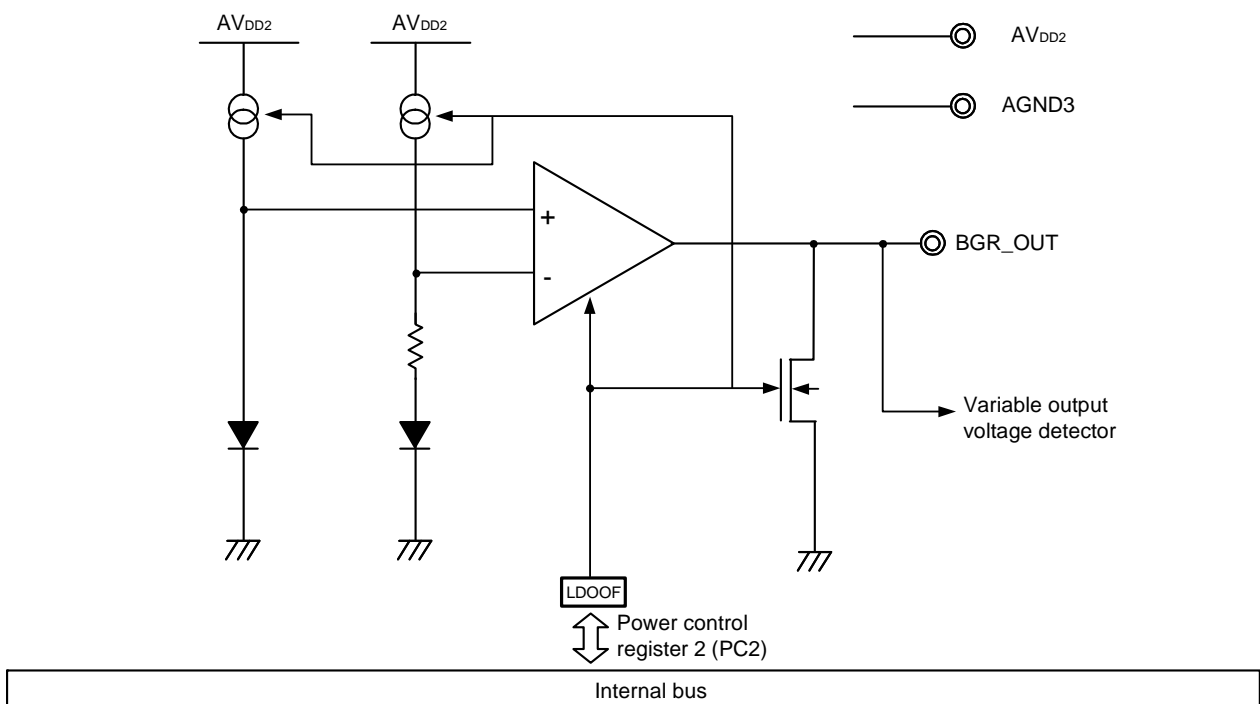
10. Reference Voltage Generator

The RAA730500 has one on-chip reference voltage generator channel.

10.1 Overview of Reference Voltage Generator Features

- Output reference voltage: 1.21 V (Typ.)
- Includes a power-off function.

10.2 Block Diagram



10.3 Registers Controlling the Reference Voltage Generator

The reference voltage generator is controlled by power control register 2 (PC2).

For details about the setting of power control register 2, see **9.3 (2) Power control register 2 (PC2)**.

10.4 Procedure for Operating the Reference Voltage Generator

For details about the procedures to start and stop the reference voltage generator, see **9.4 Procedure for Operating the Variable Output Voltage Regulator**.

10.5 Notes on Using the Reference Voltage Generator

Observe the following points when using the reference voltage generator:

- (1) Only a very small current can flow from the BGR_OUT pin because the output impedance of the reference voltage generator is high. If the load input impedance is low, insert a follower amplifier between the load and the BGR_OUT pin. Also, make sure that the wiring between the pin and the follower amplifier or load is as short as possible (because of the high output impedance). If it is not possible to keep the wiring short, take measures such as surrounding the pin with a ground pattern.

11. SPI

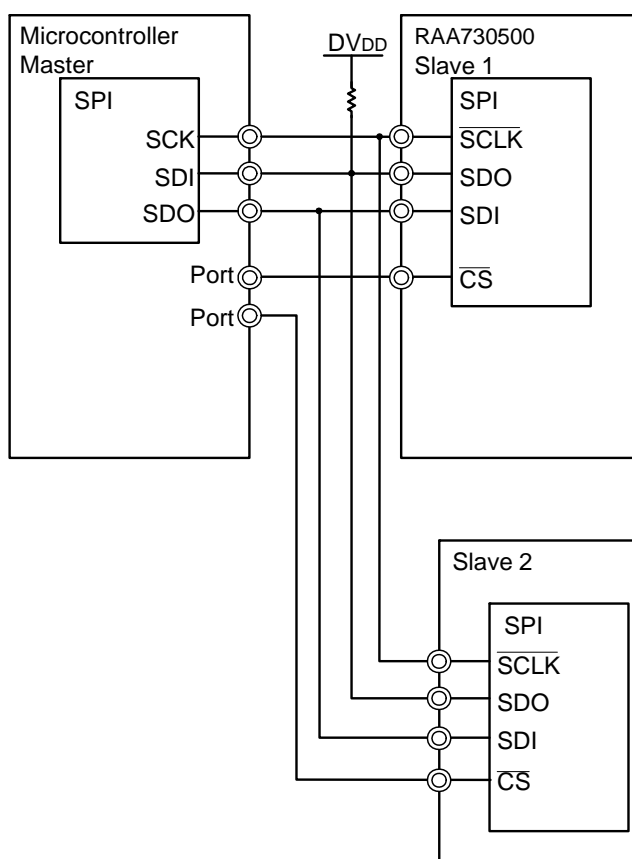
11.1 Overview of SPI Features

The SPI is used to allow control from external devices by using clocked communication via four lines: a serial clock line ($\overline{\text{SCLK}}$), two serial data lines (SDI and SDO), and a chip select input line ($\overline{\text{CS}}$).

Data transmission/reception:

- 16-bit data unit
- MSB first

Figure 11-1. SPI Configuration Example



<R> **Caution** After turning on DV_{DD} , be sure to generate external reset by inputting a reset signal to $\overline{\text{RESET}}$ pin before starting SPI communication. For details, see 12 Reset.

11.2 SPI Communication

The SPI transmits and receives data in 16-bit units. Data can be transmitted and received when \overline{CS} is low. Data is transmitted one bit at a time in synchronization with the falling edge of the serial clock, and is received one bit at a time in synchronization with the rising edge of the serial clock. When the R/W bit is 1, data is written to the SPI control register in accordance with the address/data setting after the 16th rising edge of $SCLK$ has been detected following the fall of \overline{CS} . The operation specified by the data is then executed. When the R/W bit is 0, the data is output from the register in accordance with the address/data setting in synchronization with the 9th and later falling edges of \overline{SCLK} following the fall of \overline{CS} .

Figure 11-2. SPI Communication Timing

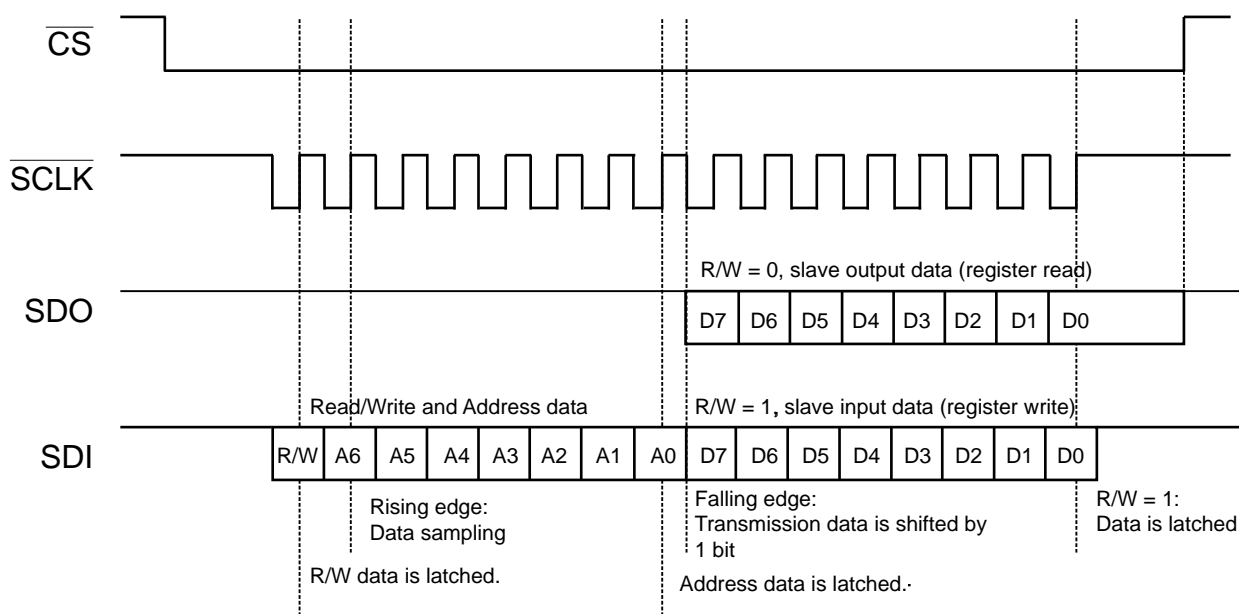


Table 11-1. SPI Control Registers

Address	SPI Control Register	R/W	After Reset
00H	Configuration register 1 (CONFIG1)	R/W	00H
01H	Configuration register 2 (CONFIG2)	R/W	00H
03H	MPX setting register 1 (MPX1)	R/W	00H
04H	MPX setting register 2 (MPX2)	R/W	00H
05H	MPX setting register 3 (MPX3)	R/W	00H
06H	Gain control register 1 (GC1)	R/W	00H
07H	Gain control register 2 (GC2)	R/W	00H
08H	Gain control register 3 (GC3)	R/W	00H
09H	AMP operation mode control register (AOMC)	R/W	00H
0AH	Gain control register 4 (GC4)	R/W	00H
0BH	LDO control register (LDOC)	R/W	0DH
0CH	DAC reference voltage control register (DACRC)	R/W	00H
0DH	DAC control register 1 (DAC1C)	R/W	80H
0EH	DAC control register 2 (DAC2C)	R/W	80H
0FH	DAC control register 3 (DAC3C)	R/W	80H
10H	DAC control register 4 (DAC4C)	R/W	80H
11H	Power control register 1 (PC1)	R/W	00H
12H	Power control register 2 (PC2)	R/W	00H
13H	Reset control register (RC)	R/W	00H ^{Note}

Note The reset control register (RC) is not initialized to 00H by generating internal reset of the reset control register (RC). For details, see **12. Reset**.

<R> 12. Reset

12.1 Overview of Reset Feature

The RAA730500 has an on-chip reset function. The SPI control registers are initialized by reset. A reset can be generated in the following two ways:

- External reset by inputting an external reset signal to the $\overline{\text{RESET}}$ pin
- Internal reset by writing 1 to the RESET bit of the reset control register (RC)

The functions of the external reset and the internal reset are described below.

- After turning on DV_{DD} , be sure to generate external reset by inputting a reset signal to $\overline{\text{RESET}}$ pin before starting SPI communication.
- During reset, each function is shifted to the status shown in Table 12-1. The status of each SPI control register after reset has been acknowledged is shown in Table 12-2. After reset, the status of each pin is shown in Table 12-3.
- External reset is generated when a low-level signal is input to the $\overline{\text{RESET}}$ pin. On the other hand, internal reset is generated when 1 is written to the RESET bit of the reset control register (RC).
- External reset is subsequently cancelled by inputting a high-level signal to $\overline{\text{RESET}}$ pin after a low-level signal is input to this pin. On the other hand, internal reset is subsequently cancelled by writing 0 to the RESET bit of the reset control register (RC) after 1 is written to the same bit of this register.

Caution When generating an external reset, input a low-level signal to the $\overline{\text{RESET}}$ pin for at least 10 μs .

Table 12-1. Statuses During Reset

Function Block	External Reset from $\overline{\text{RESET}}$ Pin	Internal Reset by Reset Control Register (RC)
Configurable amplifier	Operation stops.	
General-purpose operational amplifier	Operation stops.	
Synchronous detection amplifier	Operation stops.	
D/A converter	Operation stops.	
Low-pass filter	Operation stops.	
High-pass filter	Operation stops.	
Temperature sensor	Operation stops.	
Variable output voltage regulator	Operation stops.	
Reference voltage generator	Operation stops.	
SPI	Operation stops.	Operation is enabled.

Table 12-2. Statuses of SPI Control Registers After a Reset Is Acknowledged

Address	SPI Control Register	Status After a Reset Is Acknowledged	
		External Reset	Internal Reset
00H	Configuration register 1 (CONFIG1)	00H	00H
01H	Configuration register 2 (CONFIG2)	00H	00H
03H	MPX setting register 1 (MPX1)	00H	00H
04H	MPX setting register 2 (MPX2)	00H	00H
05H	MPX setting register 3 (MPX3)	00H	00H
06H	Gain control register 1 (GC1)	00H	00H
07H	Gain control register 2 (GC2)	00H	00H
08H	Gain control register 3 (GC3)	00H	00H
09H	AMP operation mode control register (AOMC)	00H	00H
0AH	Gain control register 4 (GC4)	00H	00H
0BH	LDO control register (LDOC)	0DH	0DH
0CH	DAC reference voltage control register (DACRC)	00H	00H
0DH	DAC control register 1 (DAC1C)	80H	80H
0EH	DAC control register 2 (DAC2C)	80H	80H
0FH	DAC control register 3 (DAC3C)	80H	80H
10H	DAC control register 4 (DAC4C)	80H	80H
11H	Power control register 1 (PC1)	00H	00H
12H	Power control register 2 (PC2)	00H	00H
13H	Reset control register (RC)	00H ^{Note}	01H ^{Note}

Note The reset control register (RC) is not initialized by generating internal reset of the reset control register (RC), but it can be done to 00H by generating external reset from RESET pin or by writing 0 to the RESET bit of the reset control register (RC).

Table 12-3. Pin Statuses After a Reset

Pin Name	External Reset from $\overline{\text{RESET}}$ Pin	Internal Reset by Reset Control Register (RC)
SC_IN	Hi-Z	Hi-Z
CLK_SYNCH	Pull-down input	Pull-down input
SYNCH_OUT	Hi-Z	Hi-Z
GAINAMP_OUT	Hi-Z	Hi-Z
GAINAMP_IN	Hi-Z	Hi-Z
MPXIN61	Hi-Z	Hi-Z
MPXIN51	Hi-Z	Hi-Z
MPXIN60	Hi-Z	Hi-Z
MPXIN50	Hi-Z	Hi-Z
AMP3_OUT	Hi-Z	Hi-Z
DAC3_OUT/VREFIN3	Pull-down input	Pull-down input
AMP2_OUT	Hi-Z	Hi-Z
AMP1_OUT	Hi-Z	Hi-Z
DAC2_OUT/VREFIN2	Pull-down input	Pull-down input
DAC1_OUT/VREFIN1	Pull-down input	Pull-down input
MPXIN41	Hi-Z	Hi-Z
MPXIN31	Hi-Z	Hi-Z
MPXIN40	Hi-Z	Hi-Z
MPXIN30	Hi-Z	Hi-Z
MPXIN21	Hi-Z	Hi-Z
MPXIN11	Hi-Z	Hi-Z
MPXIN20	Hi-Z	Hi-Z
MPXIN10	Hi-Z	Hi-Z
BGR_OUT	Pull-down	Pull-down
LDO_OUT	Pull-down	Pull-down
AMP4_OUT	Hi-Z	Hi-Z
AMP4_INN	Hi-Z	Hi-Z
AMP4_INP	Hi-Z	Hi-Z
TEMP_OUT	Pull down	Pull down
$\overline{\text{SCLK}}$	Hi-Z	Pull-up input
SDO	Hi-Z (open drain)	Hi-Z (open drain)
SDI	Hi-Z	Pull-up input
$\overline{\text{CS}}$	Hi-Z	Pull-up input
DAC4_OUT/VREFIN4	Pull-down input	Pull-down input
HPF_OUT	Hi-Z	Hi-Z
CLK_HPF	Pull-down input	Pull-down input
CLK_LPF	Pull-down input	Pull-down input
LPF_OUT	Hi-Z	Hi-Z

12.2 Registers Controlling the Reset Feature

(1) Reset control register (RC)

This register is used to control the reset feature.

An internal reset can be generated by writing 1 to the RESET bit. The reset control register (RC) is initialized to 00H by generating external reset from $\overline{\text{RESET}}$ pin or by writing 0 to the RESET bit of the reset control register (RC).

Address: 13H After reset: 00H^{Note} R/W

	7	6	5	4	3	2	1	0
RC	0	0	0	0	0	0	0	RESET

RESET	Reset request by internal reset signal
0	Do not make a reset request by using the internal reset signal, or cancel the reset.
1	Make a reset request by using the internal reset signal, or the reset signal is currently being input.

Note The reset control register (RC) is not initialized by generating internal reset of the reset control register (RC), but it can be done to 00H by generating external reset from $\overline{\text{RESET}}$ pin or by writing 0 to the RESET bit of the reset control register (RC).

Caution When the RESET bit is 1, writing to any register other than the reset control register (RC) is ignored. Initializing the reset control register (RC) to 00H by external reset, or writing 0 to the RESET bit enable writing to all the registers.

Remark Bits 7 to 1 are fixed at 0 of read only.

13. Electrical Specifications

13.1 Absolute Maximum Ratings

(T_A = 25°C)

Parameter	Symbol	Conditions	Ratings	Unit
Power supply voltage	AV _{DD}	AV _{DD1} , AV _{DD2} , AV _{DD3}	-0.3 to +6.0	V
	DV _{DD}	DV _{DD}	-0.3 to +6.0	V
	AGND	AGND1, AGND2, AGND3, AGND4	-0.3 to +0.3	V
	DGND	DGND	-0.3 to +0.3	V
Input voltage	V _{I1}	MPXIN10, MPXIN11, MPXIN20, MPXIN21, MPXIN30, MPXIN31, MPXIN40, MPXIN41, MPXIN50, MPXIN51, MPXIN60, MPXIN61, SC_IN, CLK_SYNCH, VREFIN1, VREFIN2, VREFIN3, VREFIN4, AMP4_INN, AMP4_INP, CLK_LPF, CLK_HPF, RESET	-0.3 to AV _{DD} + 0.3 ^{Note}	V
	V _{I2}	SCL _K , SDI, \overline{CS}	-0.3 to DV _{DD} + 0.3 ^{Note}	V
Output voltage	V _{O1}	LDO_OUT, BGR_OUT, AMP1_OUT, AMP2_OUT, AMP3_OUT, AMP4_OUT, GAINAMP_OUT, SYNCH_OUT, LPF_OUT, HPF_OUT, DAC1_OUT, DAC2_OUT, DAC3_OUT, DAC4_OUT, TEMP_OUT	-0.3 to AV _{DD} + 0.3 ^{Note}	V
	V _{O2}	SDO	-0.3 to DV _{DD} + 0.3 ^{Note}	V
Output current	I _{O1}	AMP1_OUT, AMP2_OUT, AMP3_OUT, AMP4_OUT, GAINAMP_OUT, SYNCH_OUT, LPF_OUT, HPF_OUT, DAC1_OUT, DAC2_OUT, DAC3_OUT, DAC4_OUT, TEMP_OUT	1	mA
	I _{O2}	SDO	-10	mA
	I _{LDOOUT}	LDO_OUT	15	mA
Operating ambient temperature	T _A		-40 to +105	°C
Storage temperature	T _{stg}		-40 to +150	°C

Note Must be 6.0 V or lower.

Caution Product quality may suffer if the absolute maximum rating is exceeded even momentarily for any parameter. That is, the absolute maximum ratings are rated values at which the product is on the verge of suffering physical damage, and therefore the product must be used under conditions that ensure that the absolute maximum ratings are not exceeded.

<R> **13.2 Operating condition**

Parameter	Symbol	Conditions	Ratings			Unit
			MIN	TYP	MAX	
Power supply voltage range	V _{DDOP}	AV _{DD1} , AV _{DD2} , AV _{DD3} , DV _{DD}	3.0	–	5.5	V
Operating temperature range	T _{OP}		-40	–	105	°C

13.3 Supply Current Characteristics

(-40°C ≤ T_A ≤ 105°C, AV_{DD1} = AV_{DD2} = AV_{DD3} = DV_{DD} = 5.0 V)

<R>

Parameter	Symbol	Conditions		Ratings			Unit
				MIN	TYP	MAX	
Supply current	I _{stby11} ^{Note}	PC1 = 00H, PC2 = 00H	T _A = -40°C	-	100	150	nA
			T _A = +25°C	-	140	210	nA
			T _A = +50°C	-	290	550	nA
			T _A = +85°C	-	850	1850	nA
			T _A = +105°C	-	1600	4000	nA
	I _{m111} ^{Note}	PC1 = 47H (configurable amplifiers Ch1 to Ch3 and D/A converters Ch3 are operating) PC2 = 00H, CC1, CC0 = 0, 0, DACRC = 00H		-	1.55	3.6	mA
	I _{m112} ^{Note}	PC1 = F7H, PC2 = 13H (configurable amplifiers Ch1 to Ch3, D/A converters Ch1 to Ch4, synchronous detection amplifier, variable output voltage regulator, reference voltage generator, and temperature sensor are operating), CC1, CC0 = 0, 0, DACRC = 00H		-	3.4	7.6	mA
	I _{m113} ^{Note}	PC1 = 7FH, PC2 = 0FH (configurable amplifiers Ch1 to Ch3, D/A converters Ch1 to Ch4, low-pass filter, high-pass filter, variable output voltage regulator, reference voltage generator, and temperature sensor are operating), CC1, CC0 = 0, 0, DACRC = 00H		-	4.5	11.0	mA
	I _{m114} ^{Note}	PC1 = FFH, PC2 = 1FH (configurable amplifiers Ch1 to Ch3, D/A converters Ch1 to Ch4, general-purpose operational amplifier, low-pass filter, high-pass filter, synchronous detection amplifier, variable output voltage regulator, reference voltage generator, and temperature sensor are operating), CC1, CC0 = 0, 0, DACRC = 00H		-	5.0	12.4	mA
	I _{m121} ^{Note}	PC1 = 47H (configurable amplifiers Ch1 to Ch3 and D/A converters Ch1 to Ch3 are operating), CC1, CC0 = 1, 1, DACRC = 00H		-	0.73	1.8	mA
	I _{m122} ^{Note}	PC1 = F7H, PC2 = 13H (configurable amplifiers Ch1 to Ch3, D/A converters Ch1 to Ch4, synchronous detection amplifier, variable output voltage regulator, reference voltage generator, and temperature sensor are operating), CC1, CC0 = 1, 1, DACRC = 00H		-	2.6	5.8	mA
	I _{m123} ^{Note}	PC1 = F7H, PC2 = 0FH (configurable amplifiers Ch1 to Ch3, D/A converters Ch1 to Ch4, low-pass filter, high-pass filter, variable output voltage regulator, reference voltage generator, and temperature sensor are operating), CC1, CC0 = 1, 1, DACRC = 00H		-	3.7	9.2	mA
	I _{m124} ^{Note}	PC1 = FFH, PC2 = 1FH (configurable amplifiers Ch1 to Ch3, D/A converters Ch1 to Ch4, general-purpose operational amplifier, low-pass filter, high-pass filter, synchronous detection amplifier, variable output voltage regulator, reference voltage generator, and temperature sensor are operating), CC1, CC0 = 1, 1, DACRC = 00H		-	4.4	10.6	mA

Note Total current flowing to internal power supply pins AV_{DD1}, AV_{DD2}, AV_{DD3}, and DV_{DD}. Current flowing through the pull-up resistor is not included. The input leakage current flowing when the level of the input pin is fixed to AV_{DD1}, AV_{DD2}, AV_{DD3} or DV_{DD}, or AGND1, AGND2, AGND3, AGND4, or DGND is included. See the table below to check the definition of those symbols of the current flowing.

Parameter	Symbol	Analog function with power on												
		Configurable amplifier			General-purpose operational amplifier	Gain amplifier and synchronous detector	D/A converter				Low-pass filter	High-pass filter	Temperature sensor	Variable output voltage regulator
		Ch 1	Ch 2	Ch 3			Ch 1	Ch 2	Ch 3	Ch 4				
Supply current	Im111 ^{Note1}	ON	ON	ON	–	–	–	–	ON	–	–	–	–	–
	Im112 ^{Note1}	ON	ON	ON	–	ON	ON	ON	ON	ON	–	–	ON	ON
	Im113 ^{Note1}	ON	ON	ON	–	–	ON	ON	ON	ON	ON	ON	ON	ON
	Im114 ^{Note1}	ON	ON	ON	ON	ON	ON	ON	ON	ON	ON	ON	ON	ON
	Im121 ^{Note2}	ON	ON	ON	–	–	–	–	ON	–	–	–	–	–
	Im122 ^{Note2}	ON	ON	ON	–	ON	ON	ON	ON	ON	–	–	ON	ON
	Im123 ^{Note2}	ON	ON	ON	–	–	ON	ON	ON	ON	ON	ON	ON	ON
	Im124 ^{Note2}	ON	ON	ON	ON	ON	ON	ON	ON	ON	ON	ON	ON	ON

Note1. CC1, CC0 = 0, 0

2. CC1, CC0 = 1, 1

13.4 Electrical Specifications of Each Block

(1) Configurable amplifier block characteristics

(-40°C ≤ T_A ≤ 105°C, AV_{DD1} = AV_{DD2} = AV_{DD3} = DV_{DD} = 5.0 V, VREFIN1 = VREFIN2 = VREFIN3 = 1.7 V, AMP1OF = AMP2OF = AMP3OF = 1, DAC1OF = DAC2OF = DAC3OF = 0, non-inverting amplifier)

Parameter	Symbol	Conditions	Ratings			Unit
			MIN	TYP	MAX	
Current consumption ^{Note}	Icc00	CC1, CC0 = 0, 0	–	330	720	μA
	Icc01	CC1, CC0 = 0, 1	–	175	390	μA
	Icc10	CC1, CC0 = 1, 0	–	125	275	μA
	Icc11	CC1, CC0 = 1, 1	–	55	120	μA
Input voltage	VINL		AGND1 - 0.1	–	–	V
	VINH		–	–	AV _{DD1} - 1.5	V
Output voltage	VOU _{TL}	IOL = -200 μA	–	AGND1 + 0.02	AGND1 + 0.06	V
	VOU _{TH}	IOH = 200 μA	AV _{DD1} - 0.06	AV _{DD1} - 0.02	–	V
Settling time	t _{SET_AMP00}	GCn = 00H (9.5 dB), CC1, CC0 = 0, 0, CL = 30 pF, output voltage = 1V _{PP} , output convergence voltage V _{PP} = 999 mV	–	–	9	μs
	t _{SET_AMP01}	GCn = 00H (9.5 dB), CC1, CC0 = 0, 1, CL = 30 pF, output voltage = 1V _{PP} , output convergence voltage V _{PP} = 999 mV	–	–	18	μs
	t _{SET_AMP10}	GCn = 00H (9.5 dB), CC1, CC0 = 1, 0, CL = 30 pF, output voltage = 1V _{PP} , output convergence voltage V _{PP} = 999 mV	–	–	28	μs
	t _{SET_AMP11}	GCn = 00H (9.5 dB), CC1, CC0 = 1, 1, CL = 30 pF, output voltage = 1V _{PP} , output convergence voltage V _{PP} = 999 mV	–	–	71	μs
Gain bandwidth	GBW00	CLMAX = 30 pF, CC1, CC0 = 0, 0 GCn = 11H (40.1 dB)	–	2.3		MHz
	GBW01	CLMAX = 30 pF, CC1, CC0 = 0, 1 GCn = 11H (40.1 dB)	–	1.1		MHz
	GBW10	CLMAX = 30 pF, CC1, CC0 = 1, 0 GCn = 11H (40.1 dB)	–	0.71		MHz
	GBW11	CLMAX = 30 pF, CC1, CC0 = 1, 1 GCn = 11H (40.1 dB)	–	0.22		MHz
Equivalent input noise	En00	CC1, CC0 = 0, 0 f = 1 kHz, GCn = 11H (40.1 dB)	–	64	–	nV/√ Hz
	En01	CC1, CC0 = 0, 1 f = 1 kHz, GCn = 11H (40.1 dB)	–	85	–	nV/√ Hz
	En10	CC1, CC0 = 1, 0 f = 1 kHz, GCn = 11H (40.1 dB)	–	107	–	nV/√ Hz
	En11	CC1, CC0 = 1, 1 f = 1 kHz, GCn = 11H (40.1 dB)	–	159	–	nV/√ Hz

Note These are the values for one channel of configurable amplifier.

Remark n = 1 to 3

Parameter	Symbol	Conditions	Ratings			Unit
			MIN	TYP	MAX	
Input conversion offset voltage	VOFF00	CC1, CC0 = 0, 0, T _A = 25°C GCn = 07H (20.8 dB)	-7	-	7	mV
	VOFF01	CC1, CC0 = 0, 1, T _A = 25°C GCn = 07H (20.8 dB)	-10	-	10	mV
	VOFF10	CC1, CC0 = 1, 0, T _A = 25°C GCn = 07H (20.8 dB)	-10	-	10	mV
	VOFF11	CC1, CC0 = 1, 1, T _A = 25°C GCn = 07H (20.8 dB)	-12	-	12	mV
Input conversion offset voltage temperature coefficient	VOTC		-	±6	-	μV/°C
Slew rate	SR00	CC1, CC0 = 0, 0, CL = 30 pF, GCn = 00H (9.5 dB)	-	0.68	-	V/μs
	SR01	CC1, CC0 = 0, 1, CL = 30 pF, GCn = 00H (9.5 dB)	-	0.35	-	V/μs
	SR10	CC1, CC0 = 1, 0, CL = 30 pF, GCn = 00H (9.5 dB)	-	0.25	-	V/μs
	SR11	CC1, CC0 = 1, 1, CL = 30 pF, GCn = 00H (9.5 dB)	-	0.09	-	V/μs
Power supply rejection ratio	PSRR00	CC1, CC0 = 0, 0, GCn = 00H (9.5 dB), f = 1 kHz	-	70	-	dB
	PSRR01	CC1, CC0 = 0, 1, GCn = 00H (9.5 dB), f = 1 kHz	-	68	-	dB
	PSRR10	CC1, CC0 = 1, 0, GCn = 00H (9.5 dB), f = 1 kHz	-	62	-	dB
	PSRR11	CC1, CC0 = 1, 1, GCn = 00H (9.5 dB), f = 1 kHz	-	50	-	dB
Gain setting error	GAIN_Accu1	T _A = 25°C	-0.6	-	0.6	dB
	GAIN_Accu2	T _A = -40 to 105°C	-1.0	-	1.0	dB

Remark n = 1 to 3

($-40^{\circ}\text{C} \leq T_A \leq 105^{\circ}\text{C}$, $A_{VDD1} = A_{VDD2} = A_{VDD3} = D_{VDD} = 5.0\text{ V}$, $V_{REFIN1} = V_{REFIN2} = V_{REFIN3} = 1.7\text{ V}$, $AMP1OF = AMP2OF = AMP3OF = 1$, $DAC1OF = DAC2OF = DAC3OF$, inverting amplifier)

Parameter	Symbol	Conditions	Ratings			Unit
			MIN	TYP	MAX	
Current consumption ^{Note}	I _{cc00}	CC1, CC0 = 0, 0	–	330	720	μA
	I _{cc01}	CC1, CC0 = 0, 1	–	175	390	μA
	I _{cc10}	CC1, CC0 = 1, 0	–	125	275	μA
	I _{cc11}	CC1, CC0 = 1, 1	–	55	120	μA
Input voltage	V _{INL}		AGND1 - 0.1	–	–	V
	V _{INH}		–	–	A _{VDD1} - 1.5	V
Output voltage	V _{OUTL}	I _{OL} = -200 μA	–	AGND1 + 0.02	AGND1 + 0.06	V
	V _{OUTH}	I _{OH} = 200 μA	A _{VDD1} - 0.06	A _{VDD1} - 0.02	–	V
Settling time	t _{SET_AMP00}	GC _n = 00H (6 dB), CC1, CC0 = 0, 0, CL = 30 pF, output voltage = 1V _{PP} , output convergence voltage V _{PP} = 999 mV	–	–	9	μs
	t _{SET_AMP01}	GC _n = 00H (6 dB), CC1, CC0 = 0, 1, CL = 30 pF, output voltage = 1V _{PP} , output convergence voltage V _{PP} = 999 mV	–	–	18	μs
	t _{SET_AMP10}	GC _n = 00H (6 dB), CC1, CC0 = 1, 0, CL = 30 pF, output voltage = 1V _{PP} , output convergence voltage V _{PP} = 999 mV	–	–	28	μs
	t _{SET_AMP11}	GC _n = 00H (6 dB), CC1, CC0 = 1, 1, CL = 30 pF, output voltage = 1V _{PP} , output convergence voltage V _{PP} = 999 mV	–	–	71	μs
Gain bandwidth	GBW00	CLMAX = 30 pF, CC1, CC0 = 0, 0 GC _n = 11H (40 dB)	–	1.5		MHz
	GBW01	CLMAX = 30 pF, CC1, CC0 = 0, 1 GC _n = 11H (40 dB)	–	0.9		MHz
	GBW10	CLMAX = 30 pF, CC1, CC0 = 1, 0 GC _n = 11H (40 dB)	–	0.67		MHz
	GBW11	CLMAX = 30 pF, CC1, CC0 = 1, 1 GC _n = 11H (40 dB)	–	0.22		MHz
Equivalent input noise	En00	CC1, CC0 = 0, 0 f = 1 kHz, GC _n = 11H (40 dB)	–	63	–	nV/√ Hz
	En01	CC1, CC0 = 0, 1 f = 1 kHz, GC _n = 11H (40 dB)	–	85	–	nV/√ Hz
	En10	CC1, CC0 = 1, 0 f = 1 kHz, GC _n = 11H (40 dB)	–	105	–	nV/√ Hz
	En11	CC1, CC0 = 1, 1 f = 1 kHz, GC _n = 11H (40 dB)	–	150	–	nV/√ Hz

Note These are the values for one channel of configurable amplifier.

Remark n = 1 to 3

Parameter	Symbol	Conditions	Ratings			Unit
			MIN	TYP	MAX	
Input conversion offset voltage	VOFF00	CC1, CC0 = 0, 0, T _A = 25°C GCn = 07H (20 dB)	-7	–	7	mV
	VOFF01	CC1, CC0 = 0, 1, T _A = 25°C GCn = 07H (20 dB)	-10	–	10	mV
	VOFF10	CC1, CC0 = 1, 0, T _A = 25°C GCn = 07H (20 dB)	-10	–	10	mV
	VOFF11	CC1, CC0 = 1, 1, T _A = 25°C GCn = 07H (20 dB)	-12	–	12	mV
Input conversion offset voltage temperature coefficient	VOTC		–	±6	–	μV/°C
Slew rate	SR00	CC1, CC0 = 0, 0, CL = 30 pF, GCn = 00H (6 dB)	–	0.68	–	V/μs
	SR01	CC1, CC0 = 0, 1, CL = 30 pF, GCn = 00H (6 dB)	–	0.35	–	V/μs
	SR10	CC1, CC0 = 1, 0, CL = 30 pF, GCn = 00H (6 dB)	–	0.25	–	V/μs
	SR11	CC1, CC0 = 1, 1, CL = 30 pF, GCn = 00H (6 dB)	–	0.09	–	V/μs
Power supply rejection ratio	PSRR00	CC1, CC0 = 0, 0 GCn = 00H (6 dB), f = 1 kHz	–	70	–	dB
	PSRR01	CC1, CC0 = 0, 1 GCn = 00H (6 dB), f = 1 kHz	–	68	–	dB
	PSRR10	CC1, CC0 = 1, 0 GCn = 00H (6 dB), f = 1 kHz	–	62	–	dB
	PSRR11	CC1, CC0 = 1, 1 GCn = 00H (6 dB), f = 1 kHz	–	50	–	dB
Gain setting error	GAIN_Accu1	T _A = 25°C	-0.6	–	0.6	dB
	GAIN_Accu2	T _A = –40 to 105°C	-1.0	–	1.0	dB

Remark n = 1 to 3

(-40°C ≤ T_A ≤ 105°C, AV_{DD1} = AV_{DD2} = AV_{DD3} = DV_{DD} = 5.0 V, VREFIN = VREFIN2 = VREFIN3 = 1.7 V, AMP1OF = AMP2OF = AMP3OF = 1, DAC1OF = DAC2OF = DAC3OF = 0, differential amplifier)

Parameter	Symbol	Conditions	Ratings			Unit
			MIN	TYP	MAX	
Current consumption ^{Note}	Icc00	CC1, CC0 = 0, 0	–	330	720	μA
	Icc01	CC1, CC0 = 0, 1	–	175	390	μA
	Icc10	CC1, CC0 = 1, 0	–	125	275	μA
	Icc11	CC1, CC0 = 1, 1	–	55	120	μA
Input voltage	VINL		AGND1 - 0.1	–	–	V
	VINH		–	–	AV _{DD1} - 1.5	V
Output voltage	VOU _{TL}	IOL = -200 μA	–	AGND1 + 0.02	AGND1+ 0.06	V
	VOU _{TH}	IOH = 200 μA	AV _{DD1} - 0.06	AV _{DD1} - 0.02	–	V
Settling time	t _{SET_AMP00}	GC _n = 00H (6 dB), CC1, CC0 = 0, 0, CL = 30 pF, output voltage = 1V _{PP} , output convergence voltage V _{PP} = 999 mV	–	–	9	μs
	t _{SET_AMP01}	GC _n = 00H (6 dB), CC1, CC0 = 0, 1, CL = 30 pF, output voltage = 1V _{PP} , output convergence voltage V _{PP} = 999 mV	–	–	18	μs
	t _{SET_AMP10}	GC _n = 00H (6 dB), CC1, CC0 = 1, 0, CL = 30 pF, output voltage = 1V _{PP} , output convergence voltage V _{PP} = 999 mV	–	–	28	μs
	t _{SET_AMP11}	GC _n = 00H (6 dB), CC1, CC0 = 1, 1, CL = 30 pF, output voltage = 1V _{PP} , output convergence voltage V _{PP} = 999 mV	–	–	71	μs
Gain bandwidth	GBW00	CLMAX = 30 pF, CC1, CC0 = 0, 0, GC _n = 11H (40 dB)	–	1.5	–	MHz
	GBW01	CLMAX = 30 pF, CC1, CC0 = 0, 1, GC _n = 11H (40 dB)	–	1.0	–	MHz
	GBW10	CLMAX = 30 pF, CC1, CC0 = 1, 0, GC _n = 11H (40 dB)	–	0.67	–	MHz
	GBW11	CLMAX = 30 pF, CC1, CC0 = 1, 1, GC _n = 11H (40 dB)	–	0.22	–	MHz
Equivalent input noise	En00	CC1, CC0 = 0, 0 f = 1 kHz, GC _n = 11H (40 dB)	–	63	–	nV/√ Hz
	En01	CC1, CC0 = 0, 1 f = 1 kHz, GC _n = 11H (40 dB)	–	85	–	nV/√ Hz
	En10	CC1, CC0 = 1, 0 f = 1 kHz, GC _n = 11H (40 dB)	–	106	–	nV/√ Hz
	En11	CC1, CC0 = 1, 1 f = 1 kHz, GC _n = 11H (40 dB)	–	160	–	nV/√ Hz
Input conversion offset voltage	VOFF00	CC1, CC0 = 0, 0, T _A = 25°C GC _n = 07H (20 dB)	-7	–	7	mV
	VOFF01	CC1, CC0 = 0, 1, T _A = 25°C GC _n = 07H (20 dB)	-10	–	10	mV
	VOFF10	CC1, CC0 = 1, 0, T _A = 25°C GC _n = 07H (20 dB)	-10	–	10	mV
	VOFF11	CC1, CC0 = 1, 1, T _A = 25°C GC _n = 07H (20 dB)	-12	–	12	mV

Note These are the values for one channel of configurable amplifier.

Remark n = 1 to 3

Parameter	Symbol	Conditions	Ratings			Unit
			MIN	TYP	MAX	
Input conversion offset voltage temperature coefficient	VOTC		–	±6	–	μV/°C
Slew rate	SR00	CC1, CC0 = 0, 0, CL = 30 Pf, GCn = 00H (6 dB)	–	0.68	–	V/μs
	SR01	CC1, CC0 = 0, 1, CL = 30 pF, GCn = 00H (6 dB)	–	0.35	–	V/μs
	SR10	CC1, CC0 = 1, 0 CL = 30 pF, GCn = 00H (6 dB)	–	0.25	–	V/μs
	SR11	CC1, CC0 = 1, 1, CL = 30 pF, GCn = 00H (6 dB)	–	0.09	–	V/μs
Common mode rejection ratio	CMRR00	CC1, CC0 = 0, 0, GCn = 11H (40 dB), f = 1 kHz	–	84	–	dB
	CMRR01	CC1, CC0 = 0, 1, GCn = 11H (40 dB) f = 1 kHz	–	82	–	dB
	CMRR10	CC1, CC0 = 1, 0, GCn = 11H (40 dB) f = 1 kHz	–	80	–	dB
	CMRR11	CC1, CC0 = 1, 1, GCn = 11H (40 dB) f = 1 kHz	–	76	–	dB
Power supply rejection ratio	PSRR00	CC1, CC0 = 0, 0, GCn = 00H (6 dB), f = 1 kHz	–	70	–	dB
	PSRR01	CC1, CC0 = 0, 1, GCn = 00H (6 dB) f = 1 kHz	–	68	–	dB
	PSRR10	CC1, CC0 = 1, 0, GCn = 00H (6 dB) f = 1 kHz	–	62	–	dB
	PSRR11	CC1, CC0 = 1, 1, GCn = 00H (6 dB) f = 1 kHz	–	50	–	dB
Gain setting error	GAIN_Accu1	T _A = 25°C	-0.6	–	0.6	dB
	GAIN_Accu2	T _A = –40 to 105°C	-1.0	–	1.0	dB

Remark n = 1 to 3

($-40^{\circ}\text{C} \leq T_A \leq 105^{\circ}\text{C}$, $AV_{DD1} = AV_{DD2} = AV_{DD3} = DV_{DD} = 5.0\text{ V}$, $VREFIN1 = VREFIN2 = VREFIN3 = 1.7\text{ V}$, $AMP1OF = AMP2OF = AMP3OF = 1$, $DAC1OF = DAC2OF = DAC3OF = 0$, transimpedance amplifier)

Parameter	Symbol	Conditions	Ratings			Unit
			MIN	TYP	MAX	
Current consumption ^{Note}	Icc00	CC1, CC0 = 0, 0	–	330	720	μA
	Icc01	CC1, CC0 = 0, 1	–	175	390	μA
	Icc10	CC1, CC0 = 1, 0	–	125	275	μA
	Icc11	CC1, CC0 = 1, 1	–	55	120	μA
Input current	IINL	GCn = 0FH (Rfb = 640 k Ω)	(10)			nA
Output voltage	VOUHL	IOL = -200 μA	–	AGND1 + 0.02	AGND1 + 0.06	V
	VOUHL	IOH = 200 μA	AV _{DD1} - 0.06	AV _{DD1} - 0.02	–	V
Settling time	t _{SET_AMP00}	GCn = 00H (20 k Ω), CC1, CC0 = 0, 0, CL = 30 pF, output voltage = 1V _{PP} , output convergence voltage V _{PP} = 999 mV	–	–	9	μs
	t _{SET_AMP01}	GCn = 00H (20 k Ω), CC1, CC0 = 0, 1, CL = 30 pF, output voltage = 1V _{PP} , output convergence voltage V _{PP} = 999 mV	–	–	18	μs
	t _{SET_AMP10}	GCn = 00H (20 k Ω), CC1, CC0 = 1, 0, CL = 30 pF, output voltage = 1V _{PP} , output convergence voltage V _{PP} = 999 mV	–	–	28	μs
	t _{SET_AMP11}	GCn = 00H (20 k Ω), CC1, CC0 = 1, 1, CL = 30 pF, output voltage = 1V _{PP} , output convergence voltage V _{PP} = 999 mV	–	–	71	μs
Current-to-voltage conversion gain bandwidth	GBW00_0	CLMAX = 30 pF, CC1, CC0 = 0, 0, GCn = 00H (Rfb = 20 k Ω)	–	1.3	–	MHz
	GBW00_1	CLMAX = 30 pF, CC1, CC0 = 0, 0, GCn = 0FH (Rfb = 640 k Ω)	–	1.0	–	MHz
	GBW01_0	CLMAX = 30 pF, CC1, CC0 = 0, 1, GCn = 00H (Rfb = 20 k Ω)	–	0.79	–	MHz
	GBW01_1	CLMAX = 30 pF, CC1, CC0 = 0, 1, GCn = 0FH (Rfb = 640 k Ω)	–	0.51	–	MHz
	GBW10_0	CLMAX = 30 pF, CC1, CC0 = 1, 0, GCn = 00H (Rfb = 20 k Ω)	–	0.58	–	MHz
	GBW10_1	CLMAX = 30 pF, CC1, CC0 = 1, 0, GCn = 0FH (Rfb = 640 k Ω)	–	0.31	–	MHz
	GBW11_0	CLMAX = 30 pF, CC1, CC0 = 1, 1, GCn = 00H (Rfb = 20 k Ω)	–	0.25	–	MHz
	GBW11_1	CLMAX = 30 pF, CC1, CC0 = 1, 1, GCn = 0FH (Rfb = 640 k Ω)	–	0.09	–	MHz
Equivalent input noise	En00	CC1, CC0 = 0, 0 f = 1 kHz, GCn = 00H (Rfb = 20 k Ω)	–	66	–	nV/ $\sqrt{\text{Hz}}$
	En01	CC1, CC0 = 0, 1 f = 1 kHz, GCn = 00H (Rfb = 20 k Ω)	–	90	–	nV/ $\sqrt{\text{Hz}}$
	En10	CC1, CC0 = 1, 0 f = 1 kHz, GCn = 00H (Rfb = 20 k Ω)	–	116	–	nV/ $\sqrt{\text{Hz}}$
	En11	CC1, CC0 = 1, 1 f = 1 kHz, GCn = 00H (Rfb = 20 k Ω)	–	193	–	nV/ $\sqrt{\text{Hz}}$

Note These are the values for one channel of configurable amplifier.

Remark1. In the ratings column, values in parentheses are the target design values and therefore are not tested for shipment.

2. n = 1 to 3

Parameter	Symbol	Conditions	Ratings			Unit
			MIN	TYP	MAX	
Input conversion offset voltage	VOFF00	CC1, CC0 = 0, 0, T _A = 25°C, GCn = 07H (Rfb = 80 kΩ)	-7	–	7	mV
	VOFF01	CC1, CC0 = 0, 1, T _A = 25°C, GCn = 07H (Rfb = 80 kΩ)	-10	–	10	mV
	VOFF10	CC1, CC0 = 1, 0, T _A = 25°C, GCn = 07H (Rfb = 80 kΩ)	-10	–	10	mV
	VOFF11	CC1, CC0 = 1, 1, T _A = 25°C, GCn = 07H (Rfb = 80 kΩ)	-12	–	12	mV
Input conversion offset voltage temperature coefficient	VOTC		–	±6	–	μV/°C
Slew rate	SR00	CC1, CC0 = 0, 0, CL = 30 pF, GCn = 00H (Rfb = 20 kΩ)	–	0.68	–	V/μs
	SR01	CC1, CC0 = 0, 1, CL = 30 pF, GCn = 00H (Rfb = 20 kΩ)	–	0.35	–	V/μs
	SR10	CC1, CC0 = 1, 0, CL = 30 pF, GCn = 00H (Rfb = 20 kΩ)	–	0.25	–	V/μs
	SR11	CC1, CC0 = 1, 1, CL = 30 pF, GCn = 00H (Rfb = 20 kΩ)	–	0.09	–	V/μs
Power supply rejection ratio	PSRR00	CC1, CC0 = 0, 0, GCn = 00H (Rfb = 20 kΩ)	–	70	–	dB
	PSRR01	CC1, CC0 = 0, 1, GCn = 00H (Rfb = 20 kΩ)	–	68	–	dB
	PSRR10	CC1, CC0 = 1, 0, GCn = 00H (Rfb = 20 kΩ)	–	62	–	dB
	PSRR11	CC1, CC0 = 1, 1, GCn = 00H (Rfb = 20 kΩ)	–	50	–	dB
Rfb setting error	Rfb_Accu1	T _A = 25°C	-25	–	25	%
	Rfb_Accu2	T _A = –40 to 105°C	-35	–	35	%

Remark n = 1 to 3

($-40^{\circ}\text{C} \leq T_A \leq 105^{\circ}\text{C}$, $AV_{DD1} = AV_{DD2} = AV_{DD3} = DV_{DD} = 5.0\text{ V}$, $V_{REFIN1} = V_{REFIN2} = V_{REFIN3} = 1.7\text{ V}$, $AMP1OF = AMP2OF = AMP3OF = 1$, $DAC1OF = DAC2OF = DAC3OF = 0$, $GC1 = GC2 = 03H$, instrumentation amplifier)

Parameter	Symbol	Conditions	Ratings			Unit
			MIN	TYP	MAX	
Current consumption	Icc00	AMP1OF = AMP2OF = AMP3OF = 1, CC1, CC0 = 0, 0	–	970	2150	μA
	Icc01	AMP1OF = AMP2OF = AMP3OF = 1, CC1, CC0 = 0, 1	–	510	1150	μA
	Icc10	AMP1OF = AMP2OF = AMP3OF = 1, CC1, CC0 = 1, 0	–	350	780	μA
	Icc11	AMP1OF = AMP2OF = AMP3OF = 1, CC1, CC0 = 1, 1	–	140	330	μA
Input voltage	VINL		AGND1 - 0.1	–	–	V
	VINH		–	–	$AV_{DD1} - 1.5$	V
Output voltage	VOU _{TL}	IOL = -200 μA	–	AGND1 + 0.02	AGND1 + 0.06	V
	VOU _{TH}	IOH = 200 μA	$AV_{DD1} - 0.06$	$AV_{DD1} - 0.02$	–	V
Settling time	t _{SET_AMP00}	GC3 = 00H (20 dB), CC1, CC0 = 0, 0, CL = 30 pF, output voltage = 1V _{PP} , output convergence voltage V _{PP} = 999 mV	–	–	9	μs
	t _{SET_AMP01}	GC3 = 00H (20 dB), CC1, CC0 = 0, 1, CL = 30 pF, output voltage = 1V _{PP} , output convergence voltage V _{PP} = 999 mV	–	–	18	μs
	t _{SET_AMP10}	GC3 = 00H (20 dB), CC1, CC0 = 1, 0, CL = 30 pF, output voltage = 1V _{PP} , output convergence voltage V _{PP} = 999 mV	–	–	28	μs
	t _{SET_AMP11}	GC3 = 00H (20 dB), CC1, CC0 = 1, 1, CL = 30 pF, output voltage = 1V _{PP} , output convergence voltage V _{PP} = 999 mV	–	–	71	μs
Gain bandwidth	GBW00	CLMAX = 30 pF, CC1, CC0 = 0, 0 GC3 = 11H (54 dB)	–	1.82	–	MHz
	GBW01	CLMAX = 30 pF, CC1, CC0 = 0, 1 GC3 = 11H (54 dB)	–	1.03	–	MHz
	GBW10	CLMAX = 30 pF, CC1, CC0 = 1, 0 GC3 = 11H (54 dB)	–	0.69	–	MHz
	GBW11	CLMAX = 30 pF, CC1, CC0 = 1, 1 GC3 = 11H (54 dB)	–	0.22	–	MHz
Equivalent input noise	En00	CC1, CC0 = 0, 0 GC3 = 11H (54 dB) f = 1 kHz	–	90	–	nV/√ Hz
	En01	CC1, CC0 = 0, 1 GC3 = 11H (54 dB) f = 1 kHz	–	119	–	nV/√ Hz
	En10	CC1, CC0 = 1, 0 GC3 = 11H (54 dB) f = 1 kHz	–	150	–	nV/√ Hz
	En11	CC1, CC0 = 1, 1 GC3 = 11H (54 dB) f = 1 kHz	–	260	–	nV/√ Hz

Parameter	Symbol	Conditions	Ratings			Unit
			MIN	TYP	MAX	
Input conversion offset voltage	VOFF00	CC1, CC0 = 0, 0, T _A = 25°C, GC3 = 00H (20 dB)	-7	-	7	mV
	VOFF01	CC1, CC0 = 0, 1, T _A = 25°C, GC3 = 00H (20 dB)	-10	-	10	mV
	VOFF10	CC1, CC0 = 1, 0, T _A = 25°C, GC3 = 00H (20 dB)	-10	-	10	mV
	VOFF11	CC1, CC0 = 1, 1, T _A = 25°C, GC3 = 00H (20 dB)	-12	-	12	mV
Input conversion offset voltage temperature coefficient	VOTC		-	±6.0	-	μV/°C
Slew rate	SR00	CC1, CC0 = 0, 0, CL = 30 pF, GC3 = 00H (20 dB)	-	0.68	-	V/μs
	SR01	CC1, CC0 = 0, 1, CL = 30 pF, GC3 = 00H (20 dB)	-	0.35	-	V/μs
	SR10	CC1, CC0 = 1, 0, CL = 30 pF, GC3 = 00H (20 dB)	-	0.25	-	V/μs
	SR11	CC1, CC0 = 1, 1, CL = 30 pF, GC3 = 00H (20 dB)	-	0.09	-	V/μs
Common mode rejection ratio	CMRR00	CC1, CC0 = 0, 0 GC3 = 11H (54 dB) f = 1 kHz	-	86	-	dB
	CMRR01	CC1, CC0 = 0, 1 GC3 = 11H (54 dB) f = 1 kHz	-	84	-	dB
	CMRR10	CC1, CC0 = 1, 0 GC3 = 11H (54 dB) f = 1 kHz	-	82	-	dB
	CMRR11	CC1, CC0 = 1, 1 GC3 = 11H (54 dB) f = 1 kHz	-	76	-	dB
Power supply rejection ratio	PSRR00	CC1, CC0 = 0, 0 GC3 = 00H (20 dB) f = 1 kHz	-	70	-	dB
	PSRR01	CC1, CC0 = 0, 1 GC3 = 00H (20 dB) f = 1 kHz	-	68	-	dB
	PSRR10	CC1, CC0 = 1, 0 GC3 = 00H (20 dB) f = 1 kHz	-	62	-	dB
	PSRR11	CC1, CC0 = 1, 1 GC3 = 00H (20 dB) f = 1 kHz	-	50	-	dB
Gain setting error	GAIN_Accu1	T _A = 25°C	-0.6	-	0.6	dB
	GAIN_Accu2	T _A = -40 to 105°C	-1.0	-	1.0	dB

(2) General-purpose operational amplifier(-40°C ≤ T_A ≤ 105°C, AV_{DD1} = AV_{DD2} = AV_{DD3} = DV_{DD} = 5.0 V, AMP4OF = 1)

Parameter	Symbol	Conditions	Ratings			Unit
			MIN	TYP	MAX	
Current consumption	I _{ccA}		–	500	1150	μA
Input voltage	V _{INL}		AGND1 - 0.1	–	–	V
	V _{INH}		–	–	AV _{DD1} - 0.05	V
Output voltage	V _{OUTL}	I _{OL} = -100 μA	–	AGND1 + 0.02	AGND1 + 0.06	V
	V _{OUTH}	I _{OH} = 100 μA	AV _{DD1} - 0.06	AV _{DD1} - 0.02	–	V
Gain bandwidth	GBW	Configured as an inverting amplifier with 20 dB gain, CL _{MAX} = 30 pF	–	1.15	–	MHz
Input conversion offset voltage	V _{OFF}	T _A = 25°C, AMP4_INP = 2.5 V	-15	–	15	mV
Input conversion offset voltage temperature coefficient	V _{OTC}		–	±4	–	μV/°C
Slew rate	SR	CL = 30 pF	–	1.2	–	V/μs
Equivalent input noise	En_Gain	Configured as an inverting amplifier with 20 dB gain, f = 1 kHz	–	650	–	nV/√ Hz
Common mode rejection ratio	CMRR	Configured as a differential amplifier with 20 dB gain, resistance error: ±1%, f = 1 kHz	–	80	–	dB
Power supply rejection ratio	PSRR	Configured as an inverting amplifier with 20 dB gain, f = 1 kHz	–	60	–	dB

(3) Synchronous detection amplifier

(-40°C ≤ T_A ≤ 105°C, AV_{DD1} = AV_{DD2} = AV_{DD3} = DV_{DD} = 5.0 V, VREFIN4 = 1.7 V, GAINOF = 1, DAC4OF = 0)

Parameter	Symbol	Conditions	Ratings			Unit
			MIN	TYP	MAX	
Current consumption	I _{ccA}		–	530	1300	μA
Input voltage	V _{INL}		AGND2 - 0.1	–	–	V
	V _{INH}		–	–	AV _{DD1} - 0.05	V
Output voltage	V _{OUTL1}	IOL = -100 μA, GAINAMP_OUT pin	–	AGND2 + 0.02	AGND2 + 0.05	V
	V _{OUTH1}	IOH = 100 μA, GAINAMP_OUT pin	AV _{DD1} - 0.05	AV _{DD1} - 0.02	–	V
	V _{OUTL2}	IOL = -100 μA, SYNCH_OUT pin	–	AGND2 + 0.03	AGND2 + 0.06	V
	V _{OUTH2}	IOH = 100 μA, SYNCH_OUT pin	AV _{DD1} - 0.06	AV _{DD1} - 0.03	–	V
Gain bandwidth	GBW1	CLK_SYNCH = H, SYNCH_OUT pin, C _{LMAX} = 30 pF, GC4 = 11H (40 dB)	–	1.38	–	MHz
	GBW2	CLK_SYNCH = L, SYNCH_OUT or GAINAMP_OUT pin C _{LMAX} = 30 pF, GC4 = 11H (40 dB)	–	0.86	–	MHz
Input conversion offset voltage	V _{OFF}	GC4 = 00H (6 dB), T _A = 25°C, GAINAMP_IN = 2.5 V	-30	–	30	mV
Input conversion offset voltage temperature coefficient	V _{OTC1}	CLK_SYNCH = H, SYNCH_OUT pin	–	±6	–	μV/°C
	V _{OTC2}	CLK_SYNCH = L, GAINAMP_OUT pin	–	±18	–	μV/°C
Slew rate	SR	CL = 30 pF	–	0.9	–	V/μs
Equivalent input noise	En_Gain	f = 1 kHz, GC4 = 11H (40 dB) GAINAMP_OUT pin	–	700	–	nV/√Hz
Power supply rejection ratio	PSRR1	CLK_SYNCH = H, SYNCH_OUT pin, f = 1 kHz, GC4 = 00H (6 dB)	–	60	–	dB
	PSRR2	CLK_SYNCH = L, SYNCH_OUT or GAINAMP_OUT pin, f = 1 kHz, GC4 = 00H (6 dB)	–	45	–	dB
Gain setting error	GAIN_Accu1	T _A = 25°C	-0.6	–	0.6	dB
	GAIN_Accu2	T _A = -40 to 105°C	-1.0	–	1.0	dB
CLK_SYNCH low-level input voltage	V _{ILCLK_SYNCH}				0.3 × AV _{DD3}	V
CLK_SYNCH high-level input voltage	V _{IHCLK_SYNCH}		0.7 × AV _{DD3}			V

(4) D/A converter

(-40°C ≤ T_A ≤ 105°C, AV_{DD1} = AV_{DD2} = AV_{DD3} = DV_{DD} = 5.0 V)

Parameter	Symbol	Conditions	Ratings			Unit
			MIN	TYP	MAX	
DAC ALL ON current consumption 1	I _{DAC_ON1}	DAC1OF = DAC2OF = DAC3OF = DAC4OF = 1, VRB1, VRB0 = 0, 0	–	1400	2950	μA
DAC ALL ON current consumption 2	I _{DAC_ON2}	DAC1OF = DAC2OF = DAC3OF = DAC4OF = 1, VRB1, VRB0 ≠ 0, 0	–	1620	3360	μA
Buffer AMP ON current consumption 1 ^{Note1}	I _{DAC_Buff1}	DACxOF = 1, VRB1, VRB0 = 0, 0 (x = 1, 2, 3, 4)	–	390	820	μA
Buffer AMP ON current consumption 2 ^{Note1}	I _{DAC_Buff2}	DACxOF = 1, VRB1, VRB0 ≠ 0, 0 (x = 1, 2, 3, 4)	–	610	1320	μA
DAC1 GAMP ON current consumption	I _{DAC_AMP1}	DAC1OF = 1	–	140	320	μA
DAC2 GAMP ON current consumption	I _{DAC_AMP2}	DAC2OF = 1	–	120	265	μA
DAC3 GAMP ON current consumption	I _{DAC_AMP3}	DAC3OF = 1	–	120	265	μA
DAC4 GAMP ON current consumption	I _{DAC_AMP4}	DAC4OF = 1	–	630	1370	μA
Resolution	R _{ES}		–	–	8	bit
Settling time	t _{SET}	output voltage = 1V _{PP} , output convergence voltage V _{PP} = 990 mV	–	–	100	μs
Differential non-linearity error ^{Note2}	DNL	VRT1 = VRT0 = 0, VRB1 = VRB0 = 0	-2	–	2	LSB
Integral non-linearity error	INL	VRT1 = VRT0 = 0, VRB1 = VRB0 = 0	-2	–	2	LSB

Notes1. Buffer amplifier is powered on when one of DACx (x = 1, 2, 3, 4) is powered on at least. For example, the current consumption

(I_{EXAMPLE}) is shown as a following equation when “DAC1OF=DAC2OF=1”, and “VRB1, VRB0=0, 0”. I_{EXAMPLE} = I_{DAC_Buff1} + I_{DAC_AMP1} + I_{DAC_AMP2}

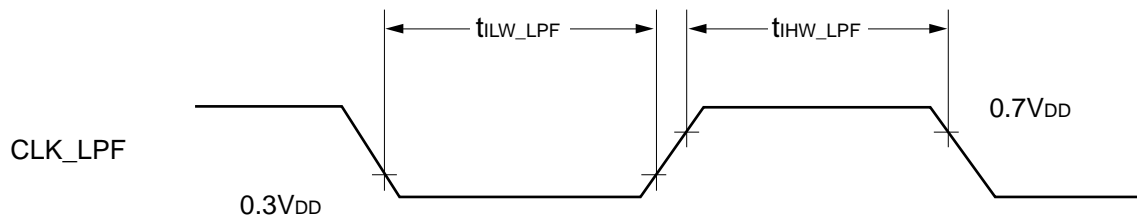
2. Guaranteed monotonic.

(5) Low-pass filter

(-40°C ≤ T_A ≤ 105°C, AV_{DD1} = AV_{DD2} = AV_{DD3} = AV_{DD4} = DV_{DD} = 5.0 V, LPFOF = 1)

Parameter	Symbol	Conditions	Ratings			Unit
			MIN	TYP	MAX	
Current consumption	I _{ccA}		–	800	1800	μA
Input voltage	V _{ILLPF}		AGND4 +0.2	–	–	V
	V _{IHLPF}		–	–	AV _{DD3} - 1.5	V
Output voltage	V _{OLLPF}	I _{OL} = -200 μA	–	AGND4 + 0.22	AGND4 +0.25	V
	V _{OHLPF}	I _{OH} = 200 μA	AV _{DD3} - 1.55	AV _{DD3} - 1.52	–	V
Cutoff frequency	f _{c1}	f _{CLK_LPF} = 2 kHz	–	9	–	Hz
	f _{c2}	f _{CLK_LPF} = 1 MHz	–	4.5	–	kHz
CLK_LPF low-level input voltage	V _{ILCLK_LPF}				0.3 × AV _{DD3}	V
CLK_LPF high-level input voltage	V _{IHCLK_LPF}		0.7 × AV _{DD3}			V
CLK_LPF Input frequency	f _{CLK_LPF}		2	–	1000	kHz
CLK_LPF Input low-level-width Input high-level-width	t _{ILW_HPF}		200	–	–	ns
	t _{IHW_HPF}					

Clock Timing

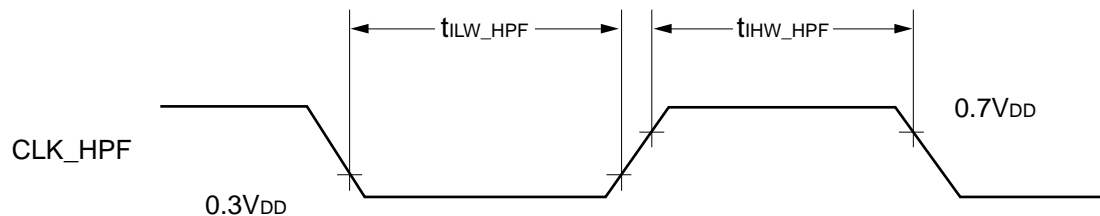


(6) High-pass filter

($-40^{\circ}\text{C} \leq T_A \leq 105^{\circ}\text{C}$, $AV_{DD1} = AV_{DD2} = AV_{DD3} = AV_{DD4} = DV_{DD} = 5.0\text{ V}$, $HPFOF = 1$)

Parameter	Symbol	Conditions	Ratings			Unit
			MIN	TYP	MAX	
Current consumption	I _{ccA}		–	800	1800	μA
Input voltage	V _{ILHPF}		AGND4 +0.2	–	–	V
	V _{IHHPF}		–	–	AV _{DD3} - 1.5	V
Output voltage	V _{OLHPF}	I _{OL} = -200 μA	–	AGND4 + 0.22	AGND4 + 0.25	V
	V _{OHHPF}	I _{OH} = 200 μA	AV _{DD3} - 1.55	AV _{DD3} - 1.52	–	V
Cutoff frequency	f _{c1}	f _{CLK_HPFF} = 2 kHz	–	8	–	Hz
	f _{c2}	f _{CLK_HPFF} = 200 kHz	–	800	–	Hz
CLK_HPFF low-level input voltage	V _{ILCLK_HPFF}				0.3 × AV _{DD3}	V
CLK_HPFF high-level input voltage	V _{IHCLK_HPFF}		0.7 × AV _{DD3}			V
CLK_HPFF Input frequency	f _{CLK_HPFF}		2	–	200	kHz
CLK_HPFF Input low-level-width Input high-level-width	t _{ILW_HPFF}		200	–	–	ns
	t _{IHW_HPFF}					

Clock Timing



(7) Temperature sensor

(-40°C ≤ TA ≤ 105°C, AVDD1 = AVDD2 = AVDD3 = AVDD4 = DVDD = 5.0 V, TEMPOF = 1)

Parameter	Symbol	Conditions	Ratings			Unit
			MIN	TYP	MAX	
Current consumption	IccA		–	105	220	μA
Output voltage	VO	TA = 25°C	–	1.67	–	V
Temperature sensitivity	TSE		–	-5.0	–	mV/°C

(8) Variable output voltage regulator

(-40°C ≤ TA ≤ 105°C, AVDD1 = AVDD2 = AVDD3 = AVDD4 = DVDD = 5.0 V, LDOOF = 1)

<R>

Parameter	Symbol	Conditions	Ratings			Unit
			MIN	TYP	MAX	
Current consumption	IccON	Iout = 0 mA	–	150	320	μA
Output voltage accuracy	V_Accu	Iout = 0 mA	-10	–	10	%
Load current characteristics	Vout_load	Iout = 0 to 5 mA	–	15	30	mV
Output current	Io		–	–	15	mA
Dropout voltage ^{Note}	Vd	Iout = 15 mA	–	–	0.4	V
Power supply rejection ratio	PSRR	f = 1 kHz, CL = 4.7 μF, Io = 5 mA, AVDD2 = 5.0 V, LDOC = 0DH (3.3 V)	–	60	–	dB
Discharge resistance	Rs	LDOOF = 0	540	715	1200	Ω
Settling time	Tset_rise	CL = 4.7 μF, CBGR_OUT = 0.1 μF	–	–	5.0	ms
	Tset_fall	CL = 4.7 μF, CBGR_OUT = 0.1 μF	–	–	45	ms

Note The output voltage range is determined not only by dropout voltage but also by output voltage accuracy.

(9) Reference voltage generator

(-40°C ≤ TA ≤ 105°C, AVDD1 = AVDD2 = AVDD3 = AVDD4 = DVDD = 5.0 V, LDOOF = 1)

Parameter	Symbol	Conditions	Ratings			Unit
			MIN	TYP	MAX	
Output voltage	VBGR		–	1.21	–	V

(10) SPI

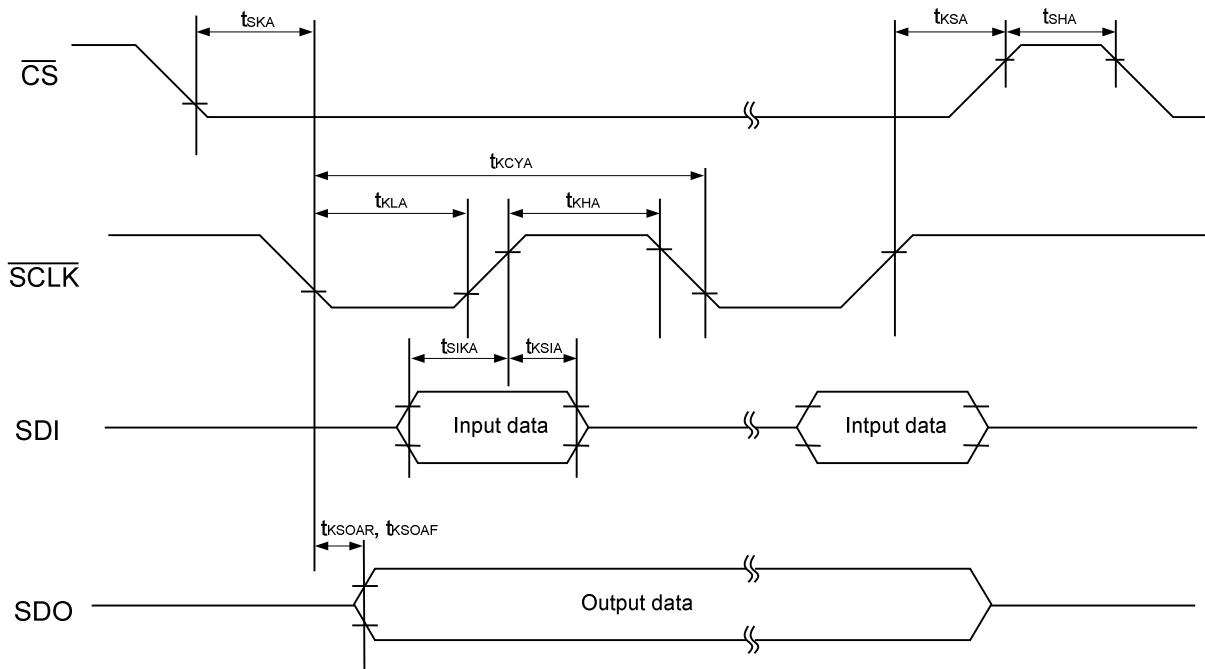
(-40°C ≤ T_A ≤ 105°C, AV_{DD1} = AV_{DD2} = AV_{DD3} = AV_{DD4} = DV_{DD} = 5.0 V)

Parameter	Symbol	Conditions	Ratings			Unit
			MIN	TYP	MAX	
Input voltage, high	V _{IH}	\overline{CS} pin, SDI pin, \overline{SCLK} pin, \overline{RESET} pin	2.0	DV _{DD}	DV _{DD} + 0.1	V
Input voltage, low	V _{IL}	\overline{CS} pin, SDI pin, \overline{SCLK} pin, \overline{RESET} pin	-0.1	DGND	0.7	V
Leakage current during high level input	I _{leak_Hi1}	\overline{CS} pin, SDI pin, \overline{SCLK} pin	-1	-	2	μA
	I _{leak_Hi2}	\overline{RESET} pin	-1	-	2	μA
Leakage current during low level input ^{Note}	I _{leak_Lo1}	\overline{CS} pin, SDI pin, \overline{SCLK} pin	50	100	200	μA
	I _{leak_Lo2}	\overline{RESET} pin	-1	-	2	μA
Low-level output voltage at SDO pin	V _{SDO_Lo}	I _o = -5 mA	-	140	280	mV
Leakage current when SDO pin is off	I _{leak_SDO}		-1	-	2	μA
Pull-up resistance	R _{SPI}	\overline{CS} pin, SDI pin, \overline{SCLK} pin	32.5	50	67.5	kΩ
\overline{SCLK} cycle time	t _{KCYA}		100	-	-	ns
\overline{SCLK} high-level width	t _{KHA} ,		0.9t _{KCYA} /2	-	-	ns
\overline{SCLK} low-level width	t _{KLA}					
SDI setup time (to \overline{SCLK} ↑)	t _{SIKA}		40	-	-	ns
SDI hold time (from \overline{SCLK} ↑)	t _{KSIA}		20	-	-	ns
Delay time from \overline{SCLK} ↓ to SDO output	t _{KSOAR}	Pull-up resistance = 10 kΩ, CL = 5 pF, V _{SDO} = 5.0 V	-	250	300	ns
	t _{KSOAF}	Pull-up resistance = 10 kΩ, CL = 5 pF, V _{SDO} = 5.0 V	-	-	20	ns
\overline{CS} high-level width	t _{SHA}		200	-	-	ns
Delay time from \overline{CS} ↓ to \overline{SCLK} ↓	t _{SKA}		200	-	-	ns
Delay time from \overline{SCLK} ↑ to CS ↑	t _{KSA}		200	-	-	ns

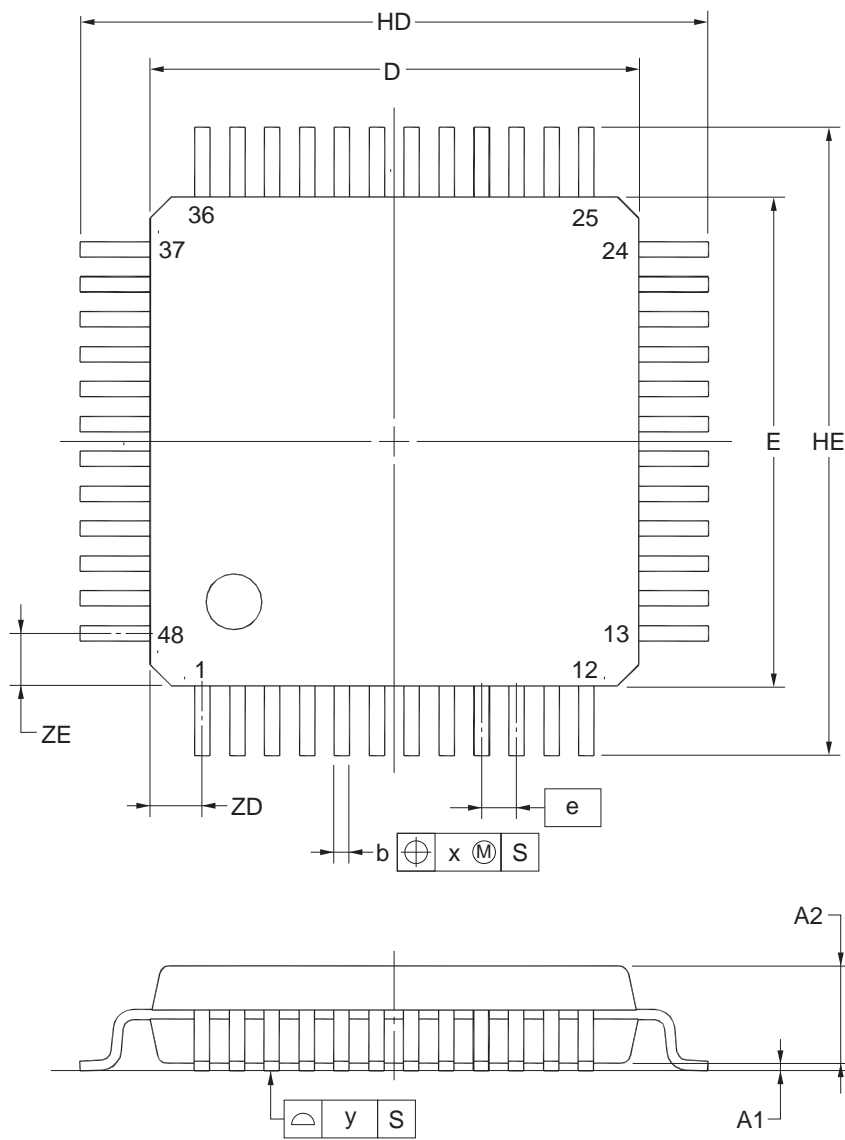
Note Including the current flowing into each pull-up resistor

<R>

SPI transfer clock timing



14. Package Drawing



detail of lead end

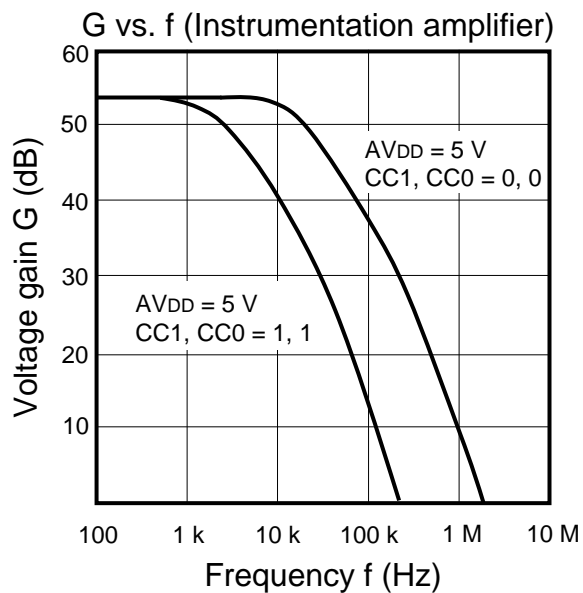
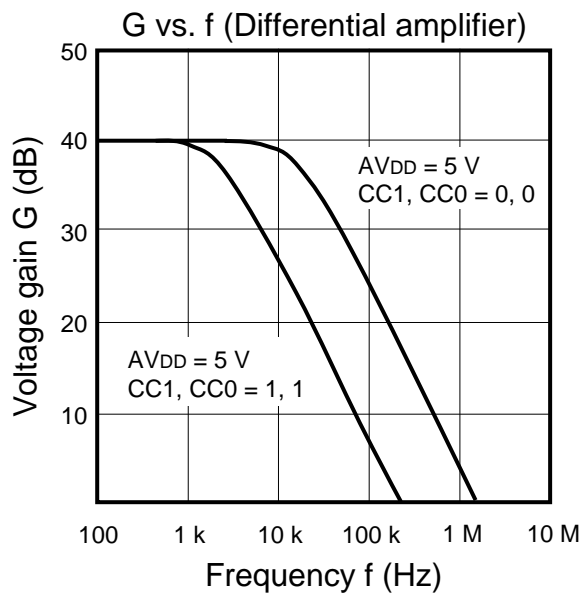
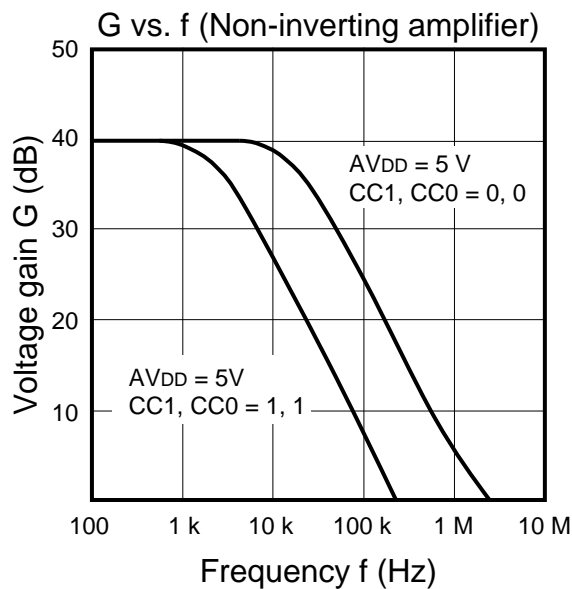
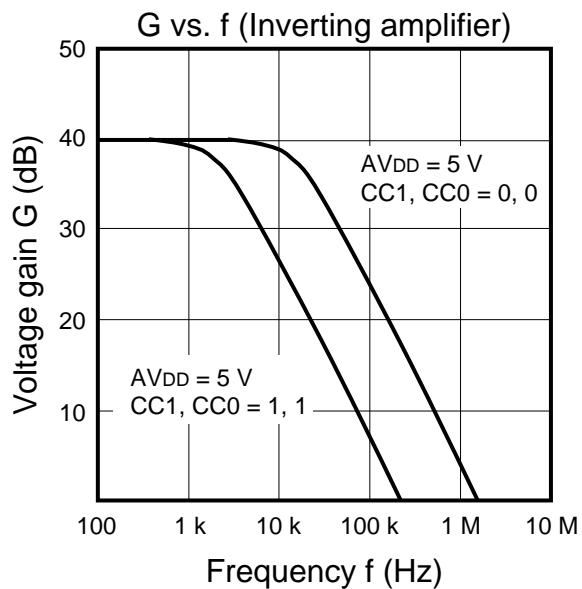
(UNIT:mm)

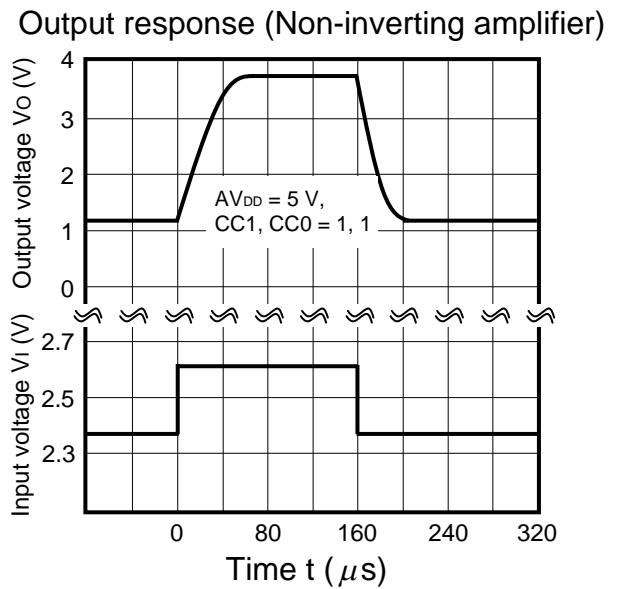
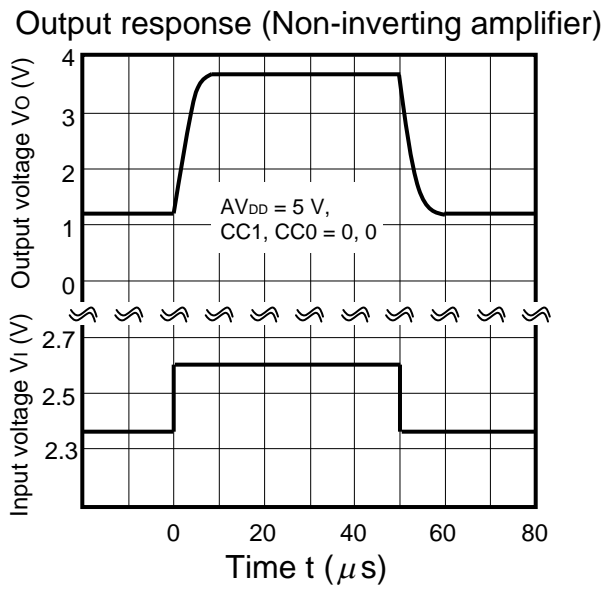
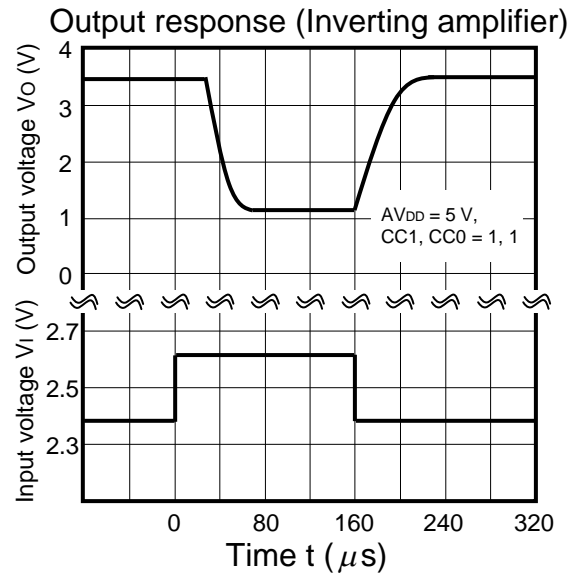
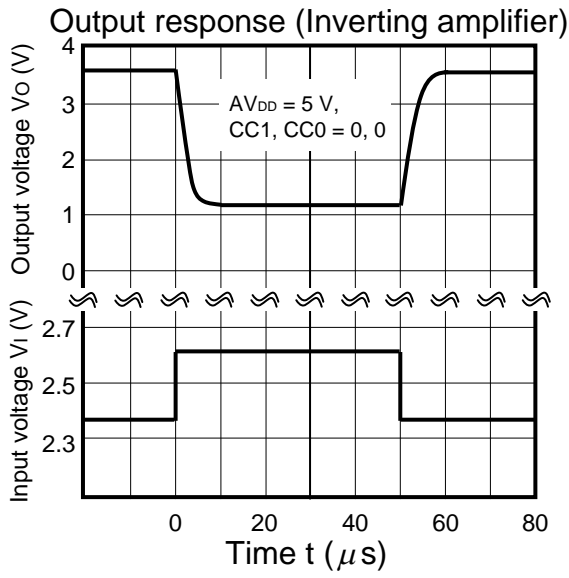
ITEM	DIMENSIONS
D	7.00±0.20
E	7.00±0.20
HD	9.00±0.20
HE	9.00±0.20
A	1.60 MAX.
A1	0.10±0.05
A2	1.40±0.05
A3	0.25
b	0.22±0.05
c	0.145 ^{+0.055} _{-0.045}
L	0.50
Lp	0.60±0.15
L1	1.00±0.20
θ	3° ^{+5°} _{-3°}
e	0.50
x	0.08
y	0.08
ZD	0.75
ZE	0.75

NOTE
 Each lead centerline is located within 0.08 mm of its true position at maximum material condition.

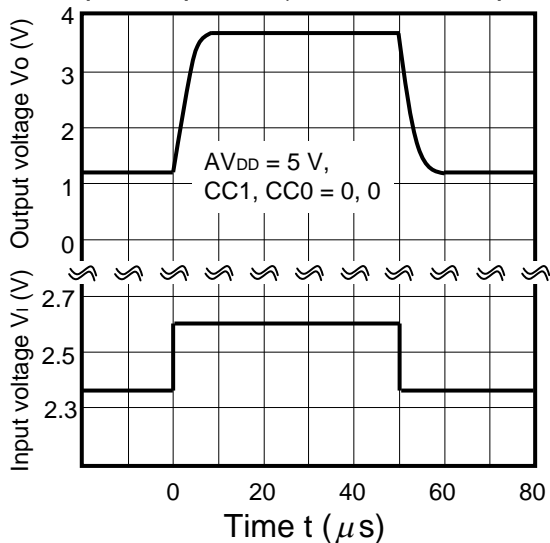
Characteristics Curve (T_A = 25°C, TYP.) (reference value)

- Configurable amplifier

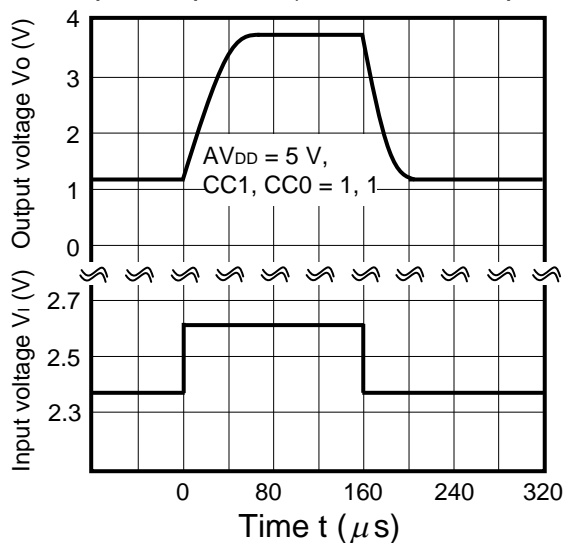




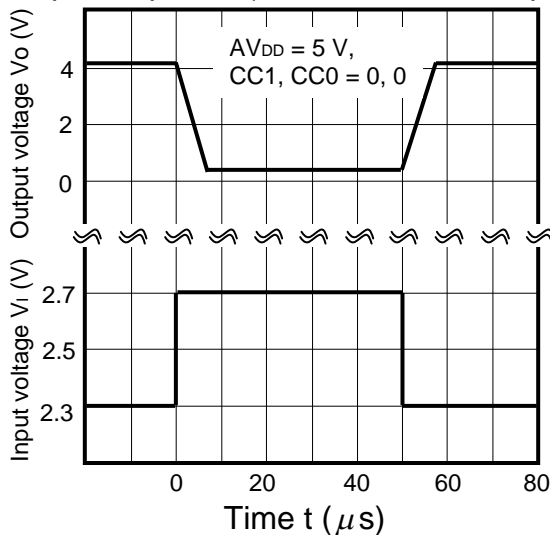
Output response (Differential amplifier)



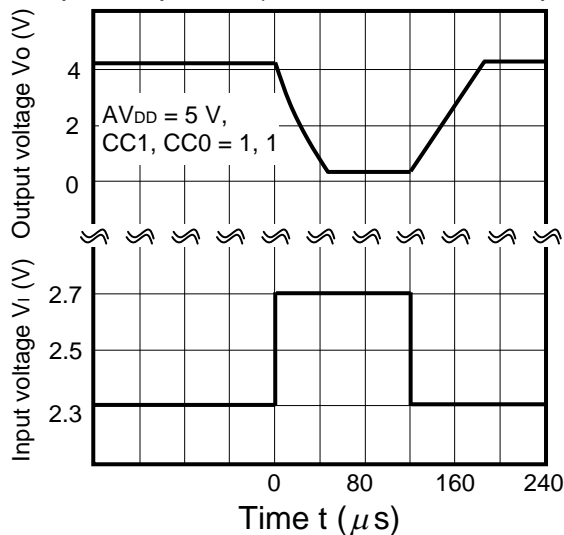
Output response (Differential amplifier)

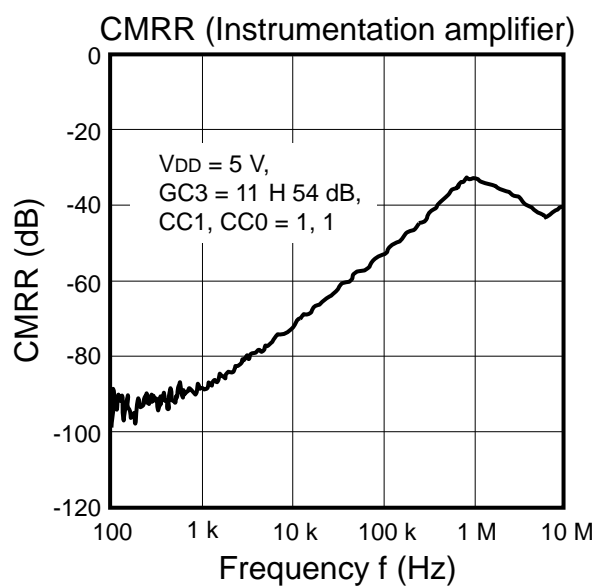
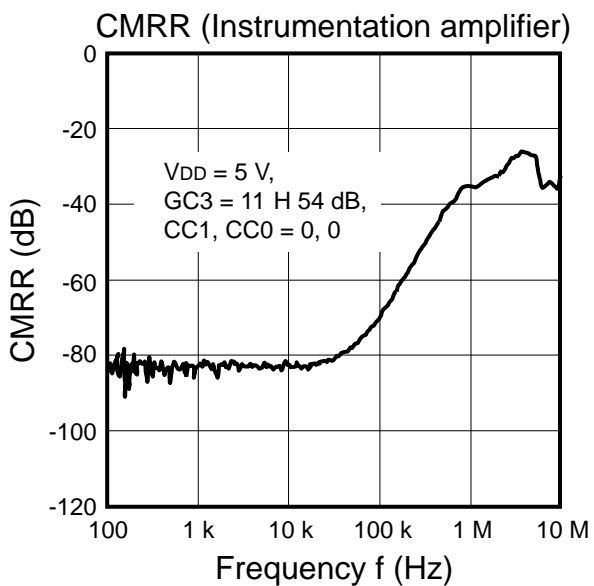
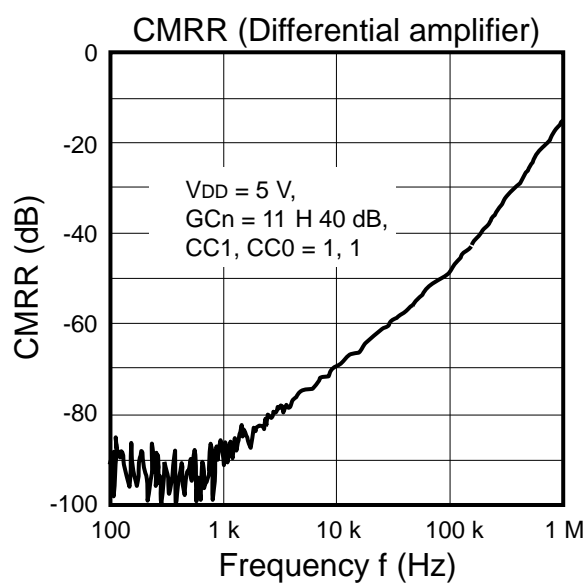
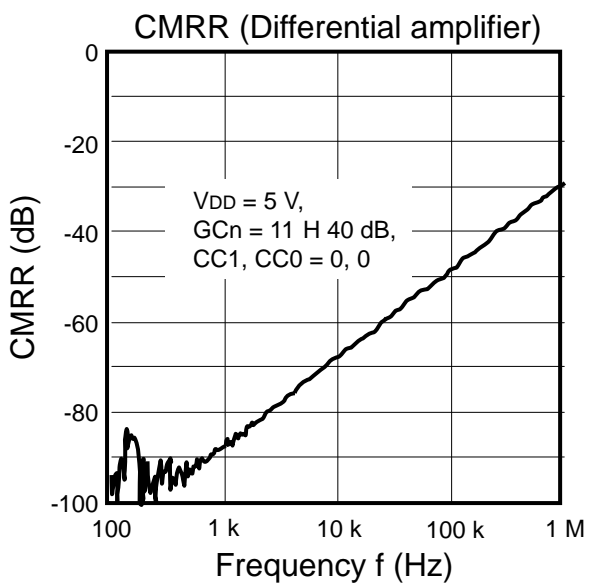


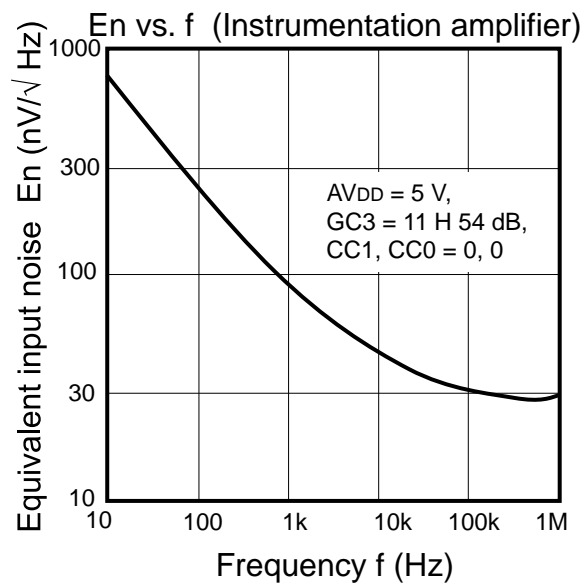
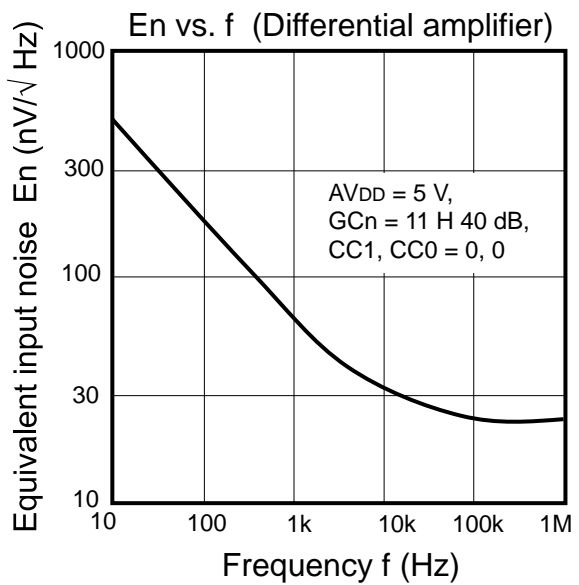
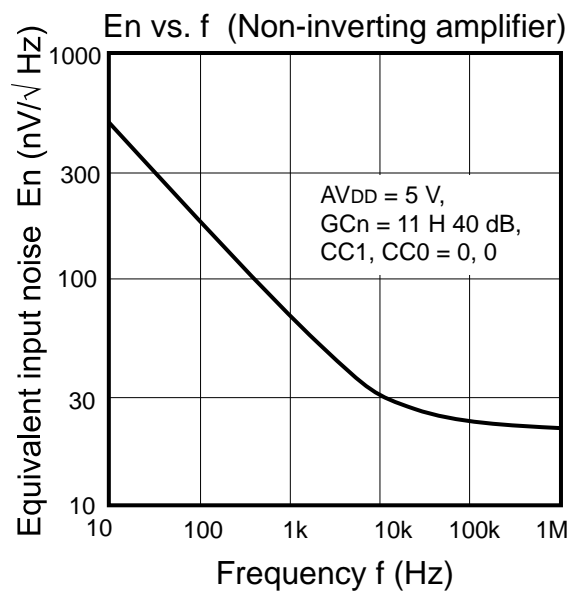
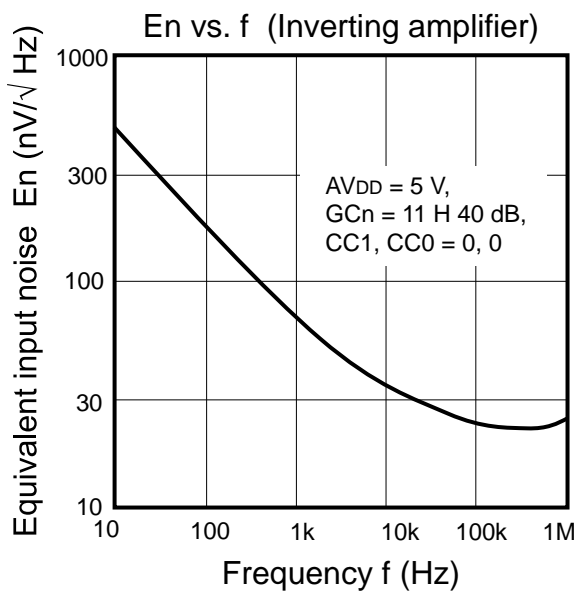
Output response (Instrumentation amplifier)



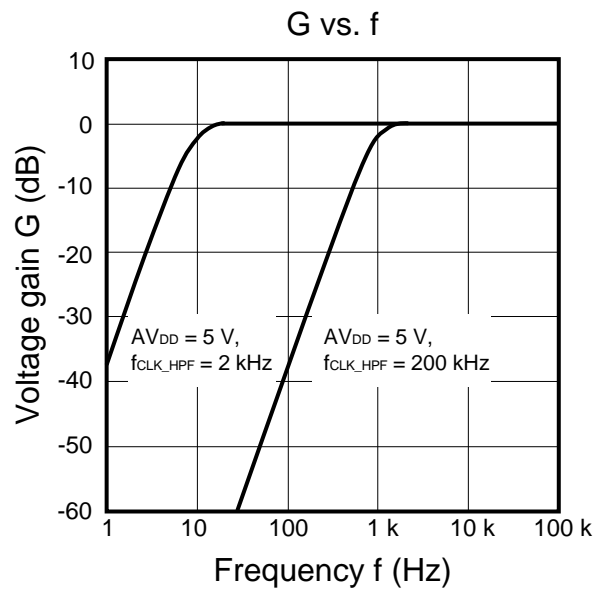
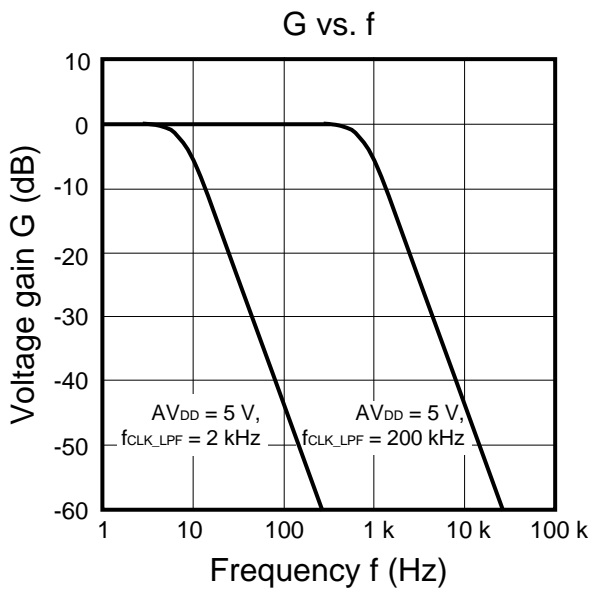
Output response (Instrumentation amplifier)



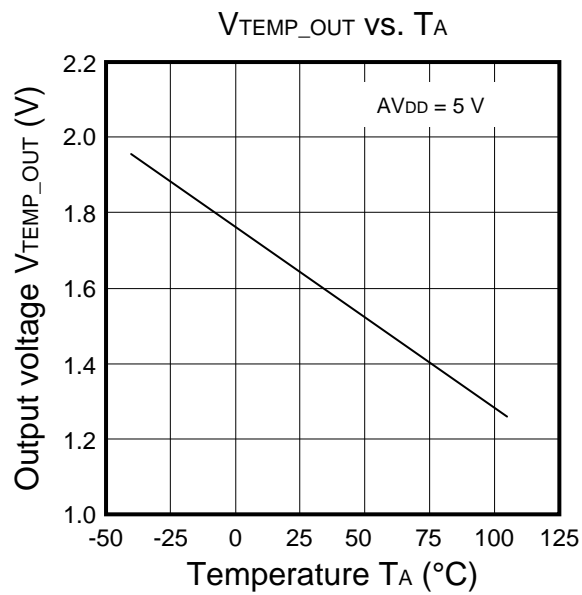




- Low-pass filter and high-pass filter

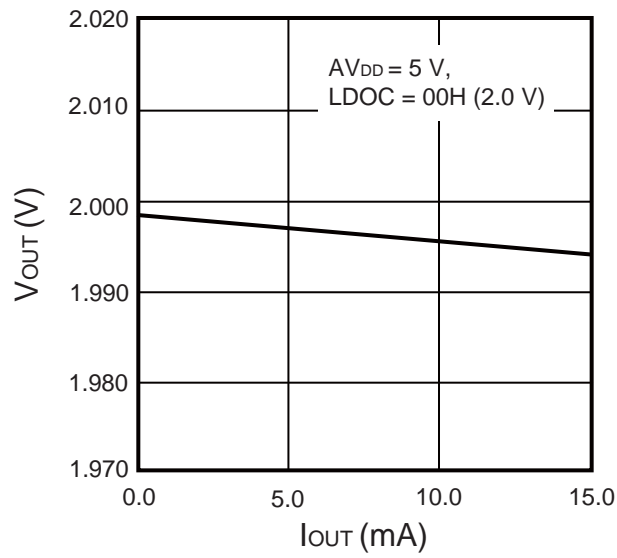


- Temperature sensor

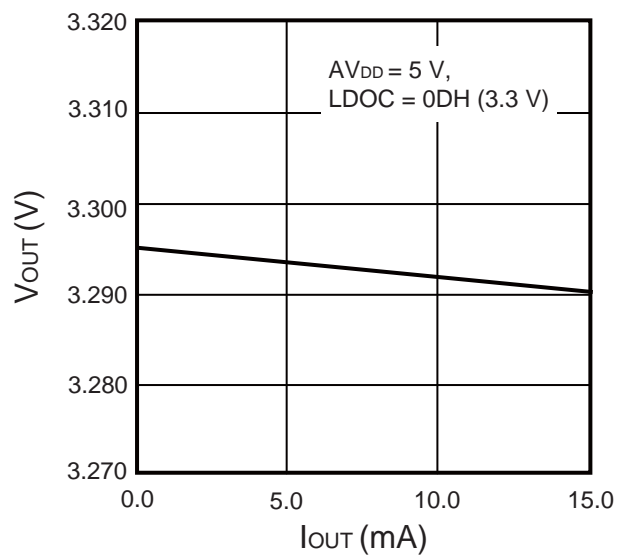


- Variable output voltage regulator

Output voltage vs. Load current



Output voltage vs. Load current



Revision History

RAA730500
Monolithic Programmable Analog IC

Rev.	Date	Description	
		Page	Summary
0.01	Sep. 5, 2011	–	First edition issued.
0.02	Mar. 9, 2012	8	Addition of pins (LDO_OUT, BGR_OUT, and $\overline{\text{RESET}}$) to <i>Table 1-2 Connection of Unused Pins</i>
		10	Change of equivalent circuit diagrams in <i>Figure 1-1 Pin I/O Circuit Type (2/4)</i>
		11	Change of pin name OUT_SYNCH to SYNCH_OUT in <i>Figure 1-1 Pin I/O Circuit Type (3/4)</i>
		13	Change of amplification ratio of non-inverting amplifier, inverting amplifier, differential amplifier, and transimpedance amplifier
			Change of amplification ratio of instrumentation amplifier
		22	Prohibition of setting 42 to 46 dB in <i>Table 2-1 Gain of Configurable Amplifier Ch1 (Non-Inverting Amplifier)</i>
		23	Prohibition of setting 42 to 46 dB in <i>Table 2-2 Gain of Configurable Amplifier Ch1 (Inverting Amplifier and Differential Amplifier)</i>
		24	Change of selectable steps in <i>Table 2-3 Feedback Resistance of Configurable Amplifier Ch1 (Transimpedance Amplifier)</i>
		25	Prohibition of setting 42 to 46 dB in <i>Table 2-4 Gain of Configurable Amplifier Ch2 (Non-Inverting Amplifier)</i>
		26	Prohibition of setting 42 to 46 dB in <i>Table 2-5 Gain of Configurable Amplifier Ch2 (Inverting Amplifier and Differential Amplifier)</i>
		27	Change of selectable steps in <i>Table 2-6 Feedback Resistance of Configurable Amplifier Ch2 (Transimpedance Amplifier)</i>
		28	Prohibition of setting 42 to 46 dB in <i>Table 2-7 Gain of Configurable Amplifier Ch3 (Non-Inverting Amplifier)</i>
		29	Prohibition of setting 42 to 46 dB in <i>Table 2-8 Gain of Configurable Amplifier Ch3 (Inverting Amplifier and Differential Amplifier)</i>
		30	Change of selectable steps in <i>Table 2-9 Feedback Resistance of Configurable Amplifier Ch3 (Transimpedance Amplifier)</i>
		31	Prohibition of setting 42 to 46 dB in <i>Table 2-10 Gain of Configurable Amplifier Ch3 (Instrumentation Amplifier)</i>
		32	Change of CC in bit assignment table to AOMC in 2.3 (8) <i>AMP operation mode control register (AOMC)</i>
		51	Change of output signal name OUT_SYNCH to SYNCH_OUT in 4.2 <i>Block Diagram</i>
		52	Correction of source of synchronous detection amplifier input
		61	Addition of Remark 2 to 6.1 <i>Overview of Low-Pass Filter Features</i>
		62	Correction of source of low-pass filter input
65	Addition of Remark 2 to 7.1 <i>Overview of High-Pass Filter Features</i>		
76	Change of output reference voltage in 10.1 <i>Overview of Reference Voltage Generator Features</i>		
78	Addition of caution to 11.1 <i>SPI Interface Features</i>		
79	Change of description in 11.2 <i>SPI Communication</i> and change of <i>Figure 11-2 SPI Communication Timing</i>		
82	Change of <i>Table 12-1 Statuses During Reset</i>		
83	Addition of <i>Table 12-3 Pin Statuses After a Reset</i>		
85	Addition of output current I_{O2} to 13.1 <i>Absolute Maximum Ratings</i>		
86	Addition of new conditions (AV_{DD1} , AV_{DD2} , AV_{DD3} , DV_{DD}) to <i>Power supply voltage</i> in 13.2 <i>Recommended Operating Range</i>		
87	Change of conditions and ratings in 13.3 <i>Supply Current Characteristics</i>		

Rev.	Date	Description	
		Page	Summary
0.02	Mar. 9, 2012	88	Change of ratings of IccOF, VOUTH, and VOUTL in 13.4 (1) Configurable amplifier (non-inverting amplifier)
			Change of conditions and ratings of gain bandwidth in 13.4 (1) Configurable amplifier (non-inverting amplifier)
			Change of conditions of equivalent input noise and input conversion offset voltage VOFF2 in 13.4 (1) Configurable amplifier (non-inverting amplifier)
			Addition of input conversion offset voltage temperature coefficient VOTC to 13.4 (1) Configurable amplifier (non-inverting amplifier)
			Deletion of gain setting error GAIN_Accu2 from 13.4 (1) Configurable amplifier (non-inverting amplifier)
		89	Change of ratings of current consumption, input voltage, and output voltage in 13.4 (1) Configurable amplifier (inverting amplifier)
			Change of conditions and ratings of gain bandwidth and equivalent input noise and input conversion offset voltage in 13.4 (1) Configurable amplifier (inverting amplifier)
			Addition of input conversion offset voltage temperature coefficient VOTC to 13.4 (1) Configurable amplifier (inverting amplifier)
			Deletion of gain setting error GAIN_Accu12 from 13.4 (1) Configurable amplifier (inverting amplifier)
		90	Change of ratings of current consumption and output voltage in 13.4 (1) Configurable amplifier (differential amplifier)
			Change of conditions and ratings of equivalent input noise, input conversion offset voltage, and common mode rejection ratio in 13.4 (1) Configurable amplifier (differential amplifier)
		91	Deletion of gain setting error GAIN_Accu2 from 13.4 (1) Configurable amplifier (differential amplifier)
		92	Change of ratings of current consumption, output voltage, and offset voltage in 13.4 (1) Configurable amplifier (transimpedance amplifier)
			Addition of input conversion offset voltage temperature coefficient VOTC to 13.4 (1) Configurable amplifier (transimpedance amplifier)
		93	Change of ratings of current consumption, input voltage, and output voltage in 13.4 (1) Configurable amplifier (instrumentation amplifier)
			Change of conditions and ratings of gain bandwidth and equivalent input noise and conditions and ratings of input conversion offset voltage in 13.4 (1) Configurable amplifier (instrumentation amplifier)
			Addition of input conversion offset voltage temperature coefficient VOTC to 13.4 (1) Configurable amplifier (instrumentation amplifier)
		94	Change of conditions and ratings of power supply rejection ratio in 13.4 (1) Configurable amplifier (instrumentation amplifier)
			Deletion of gain setting error GAIN_Accu2 from 13.4 (1) Configurable amplifier (instrumentation amplifier)
		95	Change of conditions and ratings in 13.4 (2) General amplifier
		96	Change of conditions and ratings in 13.4 (3) Synchronous detection amplifier
		96	Change of conditions and ratings of DACALL ON current consumption 1 and DACALL OFF current consumption in 13.4 (4) D/A converter
			Addition of DACALL ON current consumption 2 to 13.4 (4) D/A converter
		97	Change of conditions and ratings in 13.4 (5) Low-pass filter
		97	Change of conditions and ratings in 13.4 (6) High-pass filter
		98	Change of ratings of current consumption in 13.4 (7) Temperature sensor
			Change of ratings of current consumption in 13.4 (8) Variable output voltage regulator
Change of ratings of output voltage in 13.4 (9) Reference voltage generator			
99	Addition of I _{leak_Hi2} , I _{leak_Lo2} , and Remark to 13.4 (10) SPI interface		
	Change of ratings of I _{tkSOAR} in 13.4 (10) SPI interface		
102	Addition of Characteristics Curve (T _A = 25°C, TYP.) (reference)		

Rev.	Date	Description	
		Page	Summary
1.00	Aug. 31, 2012	87	Change of condition and ratings in 13.3 <i>Supply Current characteristics</i>
		88	Change of conditions and ratings and addition of settling time in 13. 4 (1) <i>Configurable amplifier block characteristics</i>
		95	Change of conditions and ratings in 13. 4 (2) <i>General amplifier</i>
		96	Change of conditions and ratings in 13. 4 (3) <i>Synchronous detection amplifier</i>
		96	Change of conditions and ratings in 13. 4 (4) <i>D/A converter</i>
		97	Change of conditions and ratings in 13. 4 (5) <i>Low-pass filter</i>
		97	Change of conditions and ratings in 13. 4 (7) <i>Temperature sensor</i>
		102	Change of conditions and ratings in 13. 4 (8) <i>Variable output voltage regulator</i>
		103	Change of conditions and ratings in 13. 4 (10) <i>SPI interface</i>
		1.01	Sep. 07, 2012
103	Change of ratings in 13. 4 (10) <i>SPI interface</i>		
1.10	Jan. 31, 2013	53	Change of description to 4. 3 (1) <i>MPX setting register3 (MPX3)</i>
		62	Deletion of Internal control clock frequency (fs) range from 6. 1 <i>Overview of Low-pass Filter Features</i>
		66	Deletion of Internal control clock frequency (fs) range from 7. 1 <i>Overview of High-pass Filter Features</i>
		74	Addition of NOTE to 9. 3 (1) <i>LDO control register (LDOC)</i>
		88	Change of conditions and ratings (Im111, Im112, Im124) in 13.3 <i>Supply Current Characteristics</i>
		88	Change of Note to 13. 3 <i>Supply Current Characteristics</i>
		89	Addition of table of Analog function with power on
		96	Addition of input conversion offset voltage in 13. 4 (1) <i>configurable amplifier black characteristics (transimpedance amplifier)</i>
		98	Deletion of Input conversion offset voltage from 13. 4 (1) <i>Configurable amplifier block characteristics (instrumentation)</i>
		102	Addition of parameters (Buffer AMPOM, DAC1AMPON, DAC2AMPON, DAC3AMPON, DAC4AMPON) to 13. 4 (4) <i>D/A converter</i>
		102	Addition of Note to 13. 4 (4) <i>D/A converter</i>
		103	Addition of Clock Timing Figure to 13. 4 (5) <i>Low-pass filter</i>
		104	Addition of Clock Timing Figure to 13. 4 (6) <i>High-pass filter</i>
		105	Addition of Note to 13. 4 (8) <i>Variable output voltage regulator</i>
		1.20	May. 31, 2014
115	Addition of Variable output voltage regulator in charcterisfics curve		
14	Change of description about reference voltage in 2. 1 <i>Configurable Amplifiers</i>		
34	Change of description in 2. 3 (9) <i>Power control register 1 (PC1)</i>		
52	Change of description about reference voltage in 4. 1 <i>Synchronous Detection Amplifier</i>		
57	Change of the calculating formula about output voltage in 5. 1 <i>D/A Converters</i>		
58	Change of description in 5. 3 (1) <i>DAC reference voltage control register (DACRC)</i>		
62	Change of description about reference voltage in 6. 1 <i>Low-pass Filter</i>		
66	Change of description about reference voltage in 7. 1 <i>High-Pass Filter</i>		
67	Change of description in 7. 3 (1) <i>MPX setting register3 (MPX3)</i>		
79	Addition of Caution about external reset to 11. <i>SPI</i>		
82	Change of description in 12. <i>Reset</i>		
86	Deletion of Junction temperature from 13. 1 <i>Absolute Maximum Ratings</i>		
87	Change of the title to <i>Operation condition</i> in 13. 2		
88	Addition of the MAX value to I _{stby11} (T _A = -40°C) in 13. 3		
105	Correction of the current consumption in 13. 4 (8)		
106	Correction of the unit of \overline{CS} high-level width in 13.4 (10)		

All trademarks and registered trademarks are the property of their respective owners.

NOTES FOR CMOS DEVICES

- (1) **VOLTAGE APPLICATION WAVEFORM AT INPUT PIN:** Waveform distortion due to input noise or a reflected wave may cause malfunction. If the input of the CMOS device stays in the area between VIL (MAX) and VIH (MIN) due to noise, etc., the device may malfunction. Take care to prevent chattering noise from entering the device when the input level is fixed, and also in the transition period when the input level passes through the area between VIL (MAX) and VIH (MIN).
- (2) **HANDLING OF UNUSED INPUT PINS:** Unconnected CMOS device inputs can be cause of malfunction. If an input pin is unconnected, it is possible that an internal input level may be generated due to noise, etc., causing malfunction. CMOS devices behave differently than Bipolar or NMOS devices. Input levels of CMOS devices must be fixed high or low by using pull-up or pull-down circuitry. Each unused pin should be connected to VDD or GND via a resistor if there is a possibility that it will be an output pin. All handling related to unused pins must be judged separately for each device and according to related specifications governing the device.
- (3) **PRECAUTION AGAINST ESD:** A strong electric field, when exposed to a MOS device, can cause destruction of the gate oxide and ultimately degrade the device operation. Steps must be taken to stop generation of static electricity as much as possible, and quickly dissipate it when it has occurred. Environmental control must be adequate. When it is dry, a humidifier should be used. It is recommended to avoid using insulators that easily build up static electricity. Semiconductor devices must be stored and transported in an anti-static container, static shielding bag or conductive material. All test and measurement tools including work benches and floors should be grounded. The operator should be grounded using a wrist strap. Semiconductor devices must not be touched with bare hands. Similar precautions need to be taken for PW boards with mounted semiconductor devices.
- (4) **STATUS BEFORE INITIALIZATION:** Power-on does not necessarily define the initial status of a MOS device. Immediately after the power source is turned ON, devices with reset functions have not yet been initialized. Hence, power-on does not guarantee output pin levels, I/O settings or contents of registers. A device is not initialized until the reset signal is received. A reset operation must be executed immediately after power-on for devices with reset functions.
- (5) **POWER ON/OFF SEQUENCE:** In the case of a device that uses different power supplies for the internal operation and external interface, as a rule, switch on the external power supply after switching on the internal power supply. When switching the power supply off, as a rule, switch off the external power supply and then the internal power supply. Use of the reverse power on/off sequences may result in the application of an overvoltage to the internal elements of the device, causing malfunction and degradation of internal elements due to the passage of an abnormal current. The correct power on/off sequence must be judged separately for each device and according to related specifications governing the device.
- (6) **INPUT OF SIGNAL DURING POWER OFF STATE :** Do not input signals or an I/O pull-up power supply while the device is not powered. The current injection that results from input of such a signal or I/O pull-up power supply may cause malfunction and the abnormal current that passes in the device at this time may cause degradation of internal elements. Input of signals during the power off state must be judged separately for each device and according to related specifications governing the device.

Notice

1. Descriptions of circuits, software and other related information in this document are provided only to illustrate the operation of semiconductor products and application examples. You are fully responsible for the incorporation of these circuits, software, and information in the design of your equipment. Renesas Electronics assumes no responsibility for any losses incurred by you or third parties arising from the use of these circuits, software, or information.
2. Renesas Electronics has used reasonable care in preparing the information included in this document, but Renesas Electronics does not warrant that such information is error free. Renesas Electronics assumes no liability whatsoever for any damages incurred by you resulting from errors in or omissions from the information included herein.
3. Renesas Electronics does not assume any liability for infringement of patents, copyrights, or other intellectual property rights of third parties by or arising from the use of Renesas Electronics products or technical information described in this document. No license, express, implied or otherwise, is granted hereby under any patents, copyrights or other intellectual property rights of Renesas Electronics or others.
4. You should not alter, modify, copy, or otherwise misappropriate any Renesas Electronics product, whether in whole or in part. Renesas Electronics assumes no responsibility for any losses incurred by you or third parties arising from such alteration, modification, copy or otherwise misappropriation of Renesas Electronics product.
5. Renesas Electronics products are classified according to the following two quality grades: "Standard" and "High Quality". The recommended applications for each Renesas Electronics product depends on the product's quality grade, as indicated below.
"Standard": Computers; office equipment; communications equipment; test and measurement equipment; audio and visual equipment; home electronic appliances; machine tools; personal electronic equipment; and industrial robots etc.
"High Quality": Transportation equipment (automobiles, trains, ships, etc.); traffic control systems; anti-disaster systems; anti-crime systems; and safety equipment etc.
Renesas Electronics products are neither intended nor authorized for use in products or systems that may pose a direct threat to human life or bodily injury (artificial life support devices or systems, surgical implantations etc.), or may cause serious property damages (nuclear reactor control systems, military equipment etc.). You must check the quality grade of each Renesas Electronics product before using it in a particular application. You may not use any Renesas Electronics product for any application for which it is not intended. Renesas Electronics shall not be in any way liable for any damages or losses incurred by you or third parties arising from the use of any Renesas Electronics product for which the product is not intended by Renesas Electronics.
6. You should use the Renesas Electronics products described in this document within the range specified by Renesas Electronics, especially with respect to the maximum rating, operating supply voltage range, movement power voltage range, heat radiation characteristics, installation and other product characteristics. Renesas Electronics shall have no liability for malfunctions or damages arising out of the use of Renesas Electronics products beyond such specified ranges.
7. Although Renesas Electronics endeavors to improve the quality and reliability of its products, semiconductor products have specific characteristics such as the occurrence of failure at a certain rate and malfunctions under certain use conditions. Further, Renesas Electronics products are not subject to radiation resistance design. Please be sure to implement safety measures to guard them against the possibility of physical injury, and injury or damage caused by fire in the event of the failure of a Renesas Electronics product, such as safety design for hardware and software including but not limited to redundancy, fire control and malfunction prevention, appropriate treatment for aging degradation or any other appropriate measures. Because the evaluation of microcomputer software alone is very difficult, please evaluate the safety of the final products or systems manufactured by you.
8. Please contact a Renesas Electronics sales office for details as to environmental matters such as the environmental compatibility of each Renesas Electronics product. Please use Renesas Electronics products in compliance with all applicable laws and regulations that regulate the inclusion or use of controlled substances, including without limitation, the EU RoHS Directive. Renesas Electronics assumes no liability for damages or losses occurring as a result of your noncompliance with applicable laws and regulations.
9. Renesas Electronics products and technology may not be used for or incorporated into any products or systems whose manufacture, use, or sale is prohibited under any applicable domestic or foreign laws or regulations. You should not use Renesas Electronics products or technology described in this document for any purpose relating to military applications or use by the military, including but not limited to the development of weapons of mass destruction. When exporting the Renesas Electronics products or technology described in this document, you should comply with the applicable export control laws and regulations and follow the procedures required by such laws and regulations.
10. It is the responsibility of the buyer or distributor of Renesas Electronics products, who distributes, disposes of, or otherwise places the product with a third party, to notify such third party in advance of the contents and conditions set forth in this document, Renesas Electronics assumes no responsibility for any losses incurred by you or third parties as a result of unauthorized use of Renesas Electronics products.
11. This document may not be reproduced or duplicated in any form, in whole or in part, without prior written consent of Renesas Electronics.
12. Please contact a Renesas Electronics sales office if you have any questions regarding the information contained in this document or Renesas Electronics products, or if you have any other inquiries.
(Note 1) "Renesas Electronics" as used in this document means Renesas Electronics Corporation and also includes its majority-owned subsidiaries.
(Note 2) "Renesas Electronics product(s)" means any product developed or manufactured by or for Renesas Electronics.



SALES OFFICES

Renesas Electronics Corporation

<http://www.renesas.com>

Refer to "<http://www.renesas.com/>" for the latest and detailed information.

Renesas Electronics America Inc.
2801 Scott Boulevard Santa Clara, CA 95050-2549, U.S.A.
Tel: +1-408-588-6000, Fax: +1-408-588-6130

Renesas Electronics Canada Limited
1101 Nicholson Road, Newmarket, Ontario L3Y 9C3, Canada
Tel: +1-905-898-5441, Fax: +1-905-898-3220

Renesas Electronics Europe Limited
Dukes Meadow, Millboard Road, Bourne End, Buckinghamshire, SL8 5FH, U.K.
Tel: +44-1628-585-100, Fax: +44-1628-585-900

Renesas Electronics Europe GmbH
Arcadiastrasse 10, 40472 Düsseldorf, Germany
Tel: +49-211-6503-0, Fax: +49-211-6503-1327

Renesas Electronics (China) Co., Ltd.
Room 1709, Quantum Plaza, No.27 ZhiChunLu Haidian District, Beijing 100191, P.R.China
Tel: +86-10-8235-1155, Fax: +86-10-8235-7679

Renesas Electronics (Shanghai) Co., Ltd.
Unit 301, Tower A, Central Towers, 555 Langao Road, Putuo District, Shanghai, P. R. China 200333
Tel: +86-21-2226-0888, Fax: +86-21-2226-0999

Renesas Electronics Hong Kong Limited
Unit 1601-1613, 16/F., Tower 2, Grand Century Place, 193 Prince Edward Road West, Mongkok, Kowloon, Hong Kong
Tel: +852-2265-6688, Fax: +852 2886-9022/9044

Renesas Electronics Taiwan Co., Ltd.
13F, No. 363, Fu Shing North Road, Taipei 10543, Taiwan
Tel: +886-2-8175-9600, Fax: +886 2-8175-9670

Renesas Electronics Singapore Pte. Ltd.
80 Bendemeer Road, Unit #06-02 Hyflux Innovation Centre, Singapore 339949
Tel: +65-6213-0200, Fax: +65-6213-0300

Renesas Electronics Malaysia Sdn.Bhd.
Unit 906, Block B, Menara Amcorp, Amcorp Trade Centre, No. 18, Jln Persiaran Barat, 46050 Petaling Jaya, Selangor Darul Ehsan, Malaysia
Tel: +60-3-7955-9390, Fax: +60-3-7955-9510

Renesas Electronics Korea Co., Ltd.
12F., 234 Teheran-ro, Gangnam-Ku, Seoul, 135-920, Korea
Tel: +82-2-558-3737, Fax: +82-2-558-5141