

## 20-Pin, 24-Bit, 192 kHz, 6-Channel D/A Converter

### Features

- ◆ Multi-Bit Delta-Sigma Modulator
- ◆ 24-Bit Conversion
- ◆ Automatically Detects Sample Rates Up To 192 kHz
- ◆ 103 dB Dynamic Range
- ◆ -94 dB THD+N
- ◆ Low Clock-Jitter Sensitivity
- ◆ +5 V Core Power
- ◆ +1.8 V to +5 V Interface Power
- ◆ Filtered Line-Level Outputs
- ◆ On-Chip Digital De-emphasis
- ◆ Popguard® Technology
- ◆ Mute Output Control
- ◆ Small 20-pin TSSOP Package

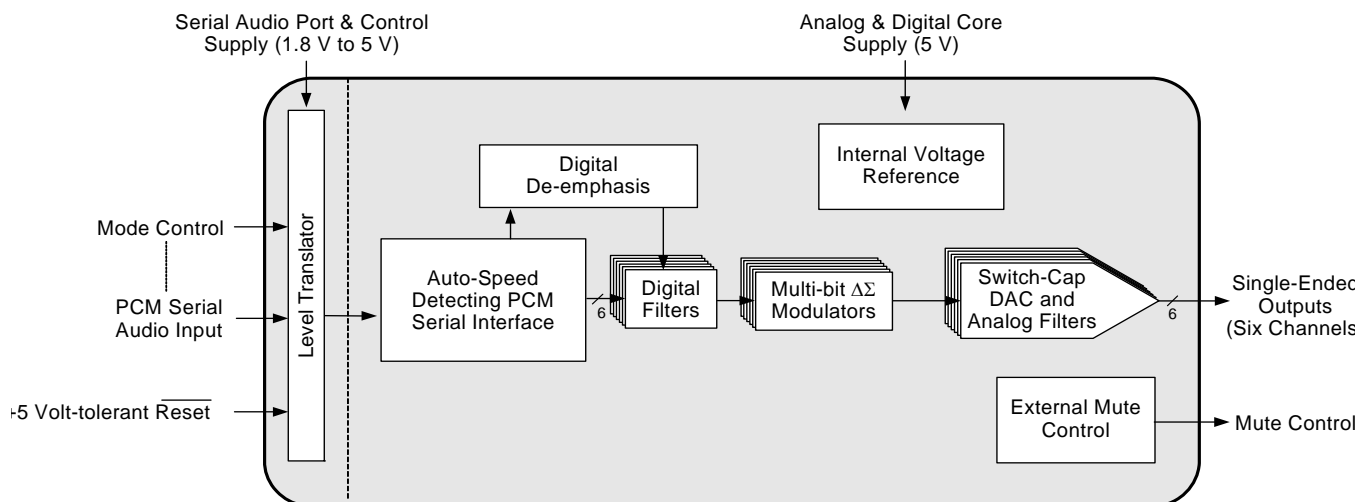
### Description

The CS4361 is a complete 6-channel digital-to-analog output system including interpolation, multi-bit D/A conversion, and output analog filtering in a small 20-pin package. The CS4361 supports all major audio data interface formats.

The CS4361 is based on a fourth-order, multi-bit, delta-sigma modulator with a linear analog low-pass filter. This device also includes auto-speed mode detection using both sample rate and master clock ratio as a method of auto-selecting sampling rates between 2 kHz and 216 kHz.

The CS4361 contains on-chip digital de-emphasis, operates from a single +5 V power supply with separate built-in level shifter for the digital interface, and requires minimal support circuitry. These features are ideal for DVD players and recorders, digital televisions, home theater and set-top box products, and automotive audio systems.

The CS4361 is available in a 20-pin TSSOP Commercial grade package (-40 to 85° C). The CDB4361 is also available for device evaluation and implementation suggestions. Please refer to [“Ordering Information” on page 23](#) for complete ordering information.



---

**TABLE OF CONTENTS**

<b>1. PIN DESCRIPTIONS</b> .....	<b>4</b>
<b>2. CHARACTERISTICS AND SPECIFICATIONS</b> .....	<b>5</b>
RECOMMENDED OPERATING CONDITIONS .....	5
ABSOLUTE MAXIMUM RATINGS .....	5
DAC ANALOG CHARACTERISTICS - COMMERCIAL (-CZZ) .....	6
COMBINED INTERPOLATION & ON-CHIP ANALOG FILTER RESPONSE .....	7
DIGITAL INPUT CHARACTERISTICS .....	8
POWER & THERMAL CHARACTERISTICS .....	8
SWITCHING CHARACTERISTICS - SERIAL AUDIO INTERFACE .....	9
<b>3. TYPICAL CONNECTION DIAGRAM</b> .....	<b>11</b>
<b>4. APPLICATIONS</b> .....	<b>12</b>
4.1 Master Clock .....	12
4.2 Serial Clock .....	12
4.2.1 External Serial Clock Mode .....	12
4.2.2 Internal Serial Clock Mode .....	12
4.3 De-Emphasis .....	14
4.4 Mode Select .....	14
4.5 Initialization and Power-Down .....	15
4.6 Output Transient Control .....	16
4.6.1 Power-Up .....	16
4.6.2 Power-Down .....	16
4.7 Grounding and Power Supply Decoupling .....	16
4.8 Analog Output and Filtering .....	16
4.9 Mute Control .....	17
<b>5. PERFORMANCE PLOTS</b> .....	<b>18</b>
<b>6. PARAMETER DEFINITIONS</b> .....	<b>21</b>
<b>7. PACKAGE INFORMATION</b> .....	<b>22</b>
<b>8. ORDERING INFORMATION</b> .....	<b>23</b>
<b>9. REVISION HISTORY</b> .....	<b>24</b>

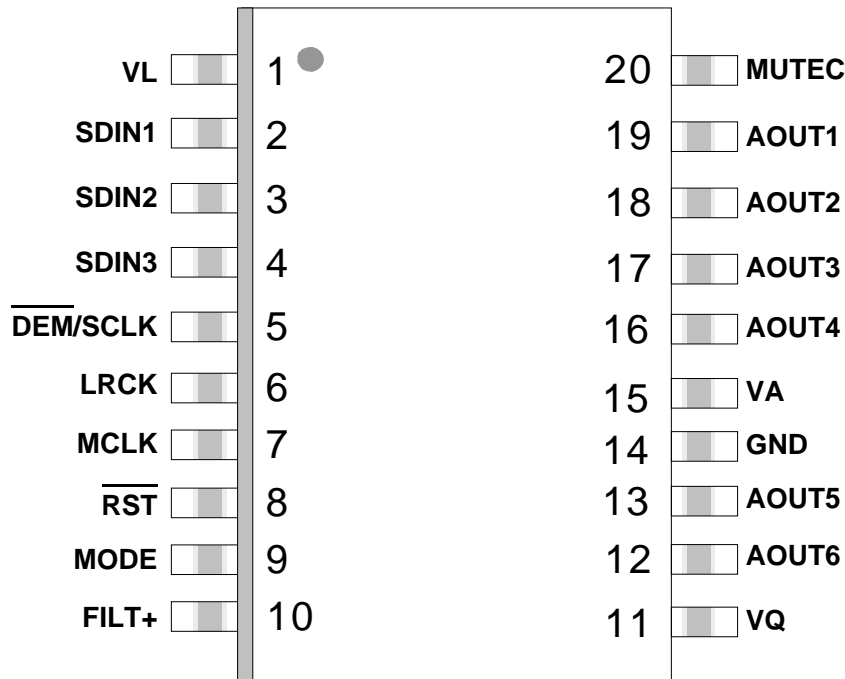
**LIST OF FIGURES**

Figure 1. Equivalent Output Test Load .....	8
Figure 2. Maximum Loading .....	8
Figure 3. External Serial Mode Input Timing .....	10
Figure 4. Internal Serial Mode Input Timing .....	10
Figure 5. Internal Serial Clock Generation .....	10
Figure 6. Recommended Connection Diagram .....	11
Figure 7. CS4361 Data Format (I <sup>2</sup> S) .....	13
Figure 8. CS4361 Data Format (Left-Justified) .....	13
Figure 9. CS4361 Data Format (Right-Justified 24) .....	13
Figure 10. CS4361 Data Format (Right-Justified 16) .....	14
Figure 11. De-Emphasis Curve (Fs = 44.1kHz) .....	14
Figure 12. CS4361 Initialization and Power-Down Sequence .....	15
Figure 13. Suggested Active-Low Mute Circuit .....	17
Figure 14. Single-Speed Stopband Rejection .....	18
Figure 15. Single-Speed Transition Band .....	18
Figure 16. Single-Speed Transition Band .....	18
Figure 17. Single-Speed Passband Ripple .....	18
Figure 18. Double-Speed Stopband Rejection .....	19
Figure 19. Double-Speed Transition Band .....	19
Figure 20. Double-Speed Transition Band .....	19
Figure 21. Double-Speed Passband Ripple .....	19
Figure 22. Quad-Speed Stopband Rejection .....	20
Figure 23. Quad-Speed Transition Band .....	20
Figure 24. Quad-Speed Transition Band .....	20
Figure 25. Quad-Speed Passband Ripple .....	20

**LIST OF TABLES**

Table 1. Common Clock Frequencies .....	12
Table 2. Mode Pin Settings .....	14

## 1. PIN DESCRIPTIONS



Pin Name	#	Pin Description
SDIN1	2	<b>Serial Audio Data Input (Input)</b> - Input for two's complement serial audio data.
SDIN2	3	
SDIN3	4	
DEM/SCLK	5	<b>De-emphasis/External Serial Clock Input (Input)</b> - used for de-emphasis filter control or external serial clock input.
LRCK	6	<b>Left Right Clock (Input)</b> - Determines which channel, Left or Right, is currently active on the serial audio data line.
MCLK	7	<b>Master Clock (Input)</b> - Clock source for the delta-sigma modulator and digital filters.
VQ	11	<b>Quiescent Voltage (Output)</b> - Filter connection for internal quiescent voltage.
FILT+	10	<b>Positive Voltage Reference (Output)</b> - Positive reference voltage for the internal sampling circuits.
AOUT1	19	<b>Analog Output (Output)</b> - The full scale analog output level is specified in the Analog Characteristics specification table.
AOUT2	18	
AOUT3	17	
AOUT4	16	
AOUT5	13	
AOUT6	12	
GND	14	<b>Ground (Input)</b> - ground reference.
VA	15	<b>Analog Power (Input)</b> - Positive power for the analog and core digital sections.
VL	1	<b>Interface Power (Input)</b> - Positive power for the digital interface level shifters.
RST	8	<b>Reset (Input)</b> - Applies reset to the internal circuitry when low.
MUTE	20	<b>Mute Control (Output)</b> - Control signal for optional external muting circuitry.
MODE	9	<b>Mode Control (Input)</b> - Selects operational modes (see <a href="#">Table 2</a> ).

## 2. CHARACTERISTICS AND SPECIFICATIONS

### RECOMMENDED OPERATING CONDITIONS

AGND = 0 V; all voltages with respect to ground.

Parameters	Symbol	Min	Nom	Max	Units
DC Power Supply	VA	4.75	5.0	5.25	V
	VL	1.7	3.3	5.25	V
Specified Temperature Range	Commercial T <sub>A</sub>	-40	-	+85	°C

### ABSOLUTE MAXIMUM RATINGS

AGND = 0 V; all voltages with respect to ground.

Parameters	Symbol	Min	Max	Units
DC Power Supply	VA	-0.3	6.0	V
	VL	-0.3	VA	V
Input Current, Any Pin Except Supplies	I <sub>in</sub>	-	±10	mA
Digital Input Voltage (pin 8, $\overline{RST}$ )	V <sub>IND</sub>	-0.3	VA+0.4	V
Digital Input Voltage (all other digital pins)	V <sub>IND</sub>	-0.3	VL+0.4	V
Ambient Operating Temperature (power applied)	T <sub>op</sub>	-55	125	°C
Storage Temperature	T <sub>stg</sub>	-65	150	°C

**WARNING:** Operation at or beyond these limits may result in permanent damage to the device. Normal operation is not guaranteed at these extremes.

## DAC ANALOG CHARACTERISTICS - COMMERCIAL

Test Conditions (unless otherwise specified).  $V_A = 5.0\text{ V}$ ,  $V_L = 3.3\text{ V}$ , and  $T_A = 25^\circ\text{ C}$ . Full-scale input sine wave. Measurement Bandwidth is 10 Hz to 20 kHz. See (Note 1). Specifications apply to all channels unless otherwise indicated.

Parameter			Min	Typ	Max	Unit	
<b>Dynamic Performance</b>							
Dynamic Range	18 to 24-Bit	A-weighted	99	103	-	dB	
		unweighted	96	100	-	dB	
	16-Bit	A-weighted	90	96	-	dB	
		unweighted	87	93	-	dB	
Total Harmonic Distortion + Noise							
Total Harmonic Distortion + Noise	18 to 24-Bit	Ch. 1-2, 0 dB	-	-93	-86	dB	
		Ch. 3-4, 0 dB	-	-90	-83	dB	
		Ch. 5-6, 0 dB	-	-94	-87	dB	
		-20 dB	-	-80	-76	dB	
		-60 dB	-	-40	-36	dB	
		16-Bit	Ch. 1-2, 0 dB	-	-92	-85	dB
	Ch. 3-4, 0 dB	-	-89	-82	dB		
	Ch. 5-6, 0 dB	-	-93	-86	dB		
	-20 dB	-	-73	-67	dB		
	-60 dB	-	-33	-27	dB		
	<b>DAC Analog Characteristics - All Modes</b>						
	Parameter	Symbol	Min	Typ	Max	Unit	
Interchannel Isolation (1 kHz)		-	100	-	dB		
<b>DC Accuracy</b>							
Interchannel Gain Mismatch		-	0.1	0.25	dB		
Gain Drift		-	100	-	ppm/ $^\circ\text{C}$		
<b>Analog Output</b>							
Full Scale Output Voltage		$0.60 \cdot V_A$	$0.65 \cdot V_A$	$0.70 \cdot V_A$	V <sub>pp</sub>		
Quiescent Voltage	$V_Q$	-	$0.5 \cdot V_A$	-	VDC		
Max DC Current draw from an AOUT pin	$I_{OUTmax}$	-	10	-	$\mu\text{A}$		
Max Current draw from VQ	$I_{Qmax}$	-	100	-	$\mu\text{A}$		
Min AC-Load Resistance (see Figure 2)	$R_L$	-	3	-	k $\Omega$		
Max Load Capacitance (see Figure 2)	$C_L$	-	100	-	pF		
Output Impedance	$Z_{OUT}$	-	100	-	$\Omega$		

**Notes:**

1. One LSB of triangular PDF dither added to data.

## COMBINED INTERPOLATION & ON-CHIP ANALOG FILTER RESPONSE

The filter characteristics have been normalized to the sample rate ( $F_s$ ) and can be referenced to the desired sample rate by multiplying the given characteristic by  $F_s$ . (See [Note 5](#))

Parameter	Symbol	Min	Typ	Max	Unit
<b>Single-Speed Mode</b>					
Passband ( <a href="#">Note 2</a> )	to -0.05 dB corner	0	-	.4780	$F_s$
	to -3 dB corner	0	-	.4996	$F_s$
Frequency Response 10 Hz to 20 kHz		-.01	-	+.08	dB
StopBand		.5465	-	-	$F_s$
StopBand Attenuation ( <a href="#">Note 3</a> )		50	-	-	dB
Group Delay	tgd	-	10/ $F_s$	-	s
De-emphasis Error ( <a href="#">Note 4</a> )	$F_s = 44.1$ kHz	-	-	+.05/- .25	dB
<b>Double-Speed Mode</b>					
Passband ( <a href="#">Note 2</a> )	to -0.1 dB corner	0	-	.4650	$F_s$
	to -3 dB corner	0	-	.4982	$F_s$
Frequency Response 10 Hz to 20 kHz		-.05	-	+.2	dB
StopBand		.5770	-	-	$F_s$
StopBand Attenuation ( <a href="#">Note 3</a> )		55	-	-	dB
Group Delay	tgd	-	5/ $F_s$	-	s
<b>Quad-Speed Mode</b>					
Passband ( <a href="#">Note 2</a> )	to -0.1 dB corner	0	-	0.397	$F_s$
	to -3 dB corner	0	-	0.476	$F_s$
Frequency Response 10 Hz to 20 kHz		0	-	+0.00004	dB
StopBand		0.7	-	-	$F_s$
StopBand Attenuation ( <a href="#">Note 3</a> )		51	-	-	dB
Group Delay	tgd	-	2.5/ $F_s$	-	s

2. Response is clock-dependent and will scale with  $F_s$ .
3. For Single-Speed Mode, the measurement bandwidth is 0.5465  $F_s$  to 3  $F_s$ .  
For Double-Speed Mode, the measurement bandwidth is 0.577  $F_s$  to 1.4  $F_s$ .  
For Quad-Speed Mode, the measurement bandwidth is 0.7  $F_s$  to 1  $F_s$ .
4. De-emphasis is available only in Single-Speed Mode.
5. Amplitude vs. Frequency plots of this data are available in ["Performance Plots"](#) on page 18.

## DIGITAL INPUT CHARACTERISTICS

Parameters	Symbol	Min	Typ	Max	Units
High-Level Input Voltage -all input Pins except RST (% of VL)	$V_{IH}$	70%	-	-	V
Low-Level Input Voltage -all input Pins except RST (% of VL)	$V_{IL}$	-	-	30%	V
High-Level Input Voltage -RST pin (Note 6) (% of VL)	$V_{IH}$	90%	-	-	V
Low-Level Input Voltage -RST pin (% of VL)	$V_{IL}$	-	-	10%	V
Input Leakage Current (Note 7)	$I_{in}$	-	-	$\pm 10$	$\mu A$
Input Capacitance		-	8	-	pF

6. RST pin has an input threshold relative to VL, but is VA tolerant.

7.  $I_{in}$  for LRCK is  $\pm 20 \mu A$  max.

## POWER & THERMAL CHARACTERISTICS

Parameters	Symbol	5 V Nom			Units	
		Min	Typ	Max		
<b>Power Supplies</b>						
Power Supply Current (Note 8)	normal operation	$I_A$	-	66	90	mA
		$I_L$	-	0.1	1	mA
	power-down state (Note 9)	$I_A$	-	300	-	$\mu A$
		$I_L$	-	26	-	$\mu A$
Power Dissipation	normal operation		-	331	455	mW
	power-down state (Note 9)		-	1.63	-	mW
Package Thermal Resistance	$\theta_{JA}$	-	72	-	$^{\circ}C/Watt$	
Power Supply Rejection Ratio (Note 10)	(1 kHz)	PSRR	-	60	-	dB
	(60 Hz)		-	40	-	dB

8. Current consumption increases with increasing FS and increasing MCLK. Typ and Max values are based on highest FS and highest MCLK. Current variance between speed modes is small.

9. Power-Down Mode is defined when all clock and data lines are held static.

10. Valid with the recommended capacitor values on VQ and FILT+ as shown in the typical connection diagram in Section 4.

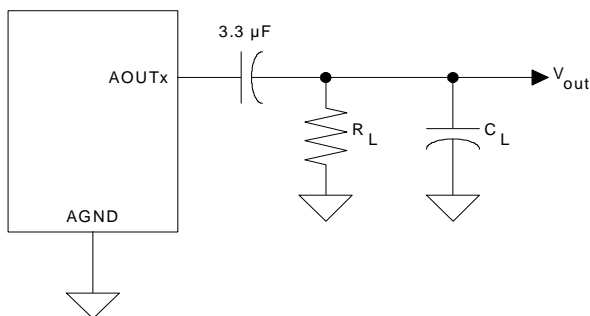


Figure 1. Equivalent Output Test Load

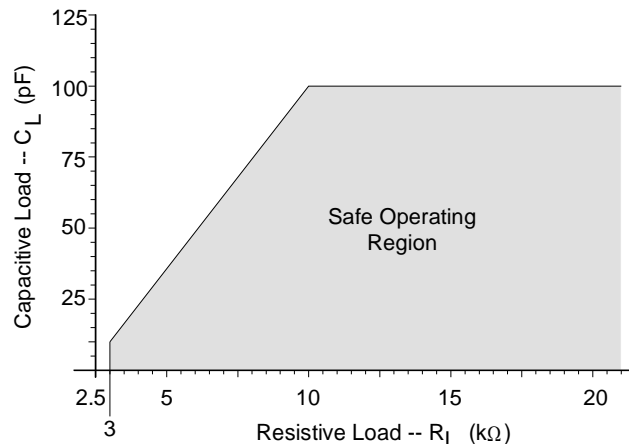


Figure 2. Maximum Loading



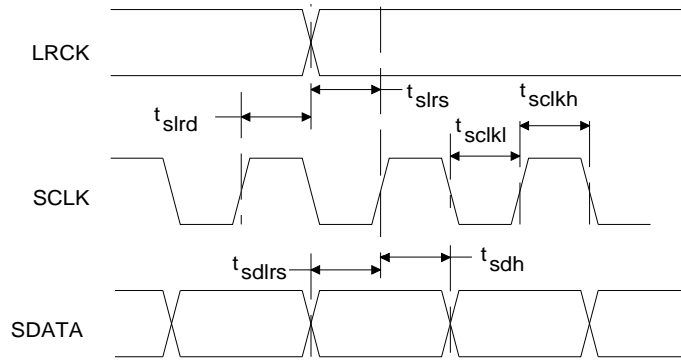
**SWITCHING CHARACTERISTICS - SERIAL AUDIO INTERFACE**

Parameters	Symbol	Min	Typ	Max	Units
MCLK Frequency		0.512	-	50	MHz
MCLK Duty Cycle		45	-	55	%
Input Sample Rate All MCLK/LRCK ratios combined (Note 11)	F <sub>s</sub>	2		216	kHz
256x, 384x, 1024x		2		54	kHz
256x, 384x		84		134	kHz
512x, 768x		42		67	kHz
1152x		30		34	kHz
128x, 192x		50		108	kHz
64x, 96x		100		216	kHz
128x, 192x		168		216	kHz
<b>External SCLK Mode</b>					
LRCK Duty Cycle (External SCLK only)		45	50	55	%
SCLK Pulse Width Low	t <sub>sckl</sub>	20	-	-	ns
SCLK Pulse Width High	t <sub>sckh</sub>	20	-	-	ns
SCLK Duty Cycle		45	50	55	%
SCLK rising to LRCK edge delay	t <sub>slrd</sub>	20	-	-	ns
SCLK rising to LRCK edge setup time	t <sub>slrs</sub>	20	-	-	ns
SDIN valid to SCLK rising setup time	t <sub>sdlrs</sub>	20	-	-	ns
SCLK rising to SDIN hold time	t <sub>sdh</sub>	20	-	-	ns
<b>Internal SCLK Mode</b>					
LRCK Duty Cycle (Internal SCLK only) (Note 12)		-	50	-	%
SCLK Period (Note 13)	t <sub>sckw</sub>	$\frac{10^9}{SCLK}$	-	-	ns
SCLK rising to LRCK edge	t <sub>sckr</sub>	-	$\frac{t_{sckw}}{2}$	-	μs
SDIN valid to SCLK rising setup time	t <sub>sdlrs</sub>	$\frac{10^9}{(512)F_s} + 10$	-	-	ns
SCLK rising to SDIN hold time MCLK / LRCK = 1152, 1024, 512, 256, 128, or 64	t <sub>sdh</sub>	$\frac{10^9}{(512)F_s} + 15$	-	-	ns
SCLK rising to SDIN hold time MCLK / LRCK = 768, 384, 192, or 96	t <sub>sdh</sub>	$\frac{10^9}{(384)F_s} + 15$	-	-	ns

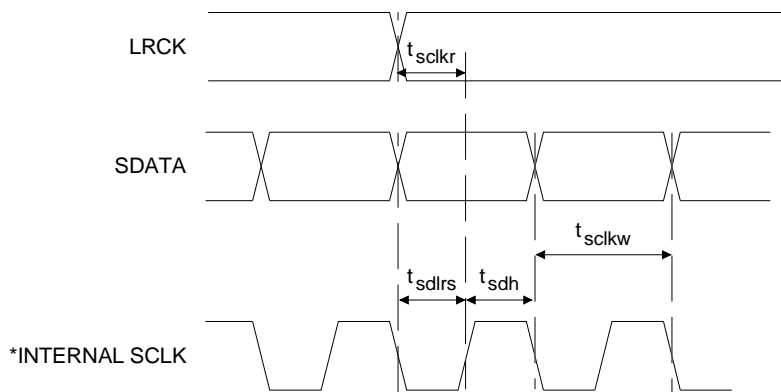
11. Not all sample rates are supported for all clock ratios. See table “Common Clock Frequencies” on page 12 for supported ratios and frequencies.

12. In Internal SCLK Mode, the duty cycle must be 50% ± 1/2 MCLK period.

13. The SCLK / LRCK ratio may be either 32, 48, 64, or 72. This ratio depends on data format and MCLK/LRCK ratio. (See Figures 7-10)

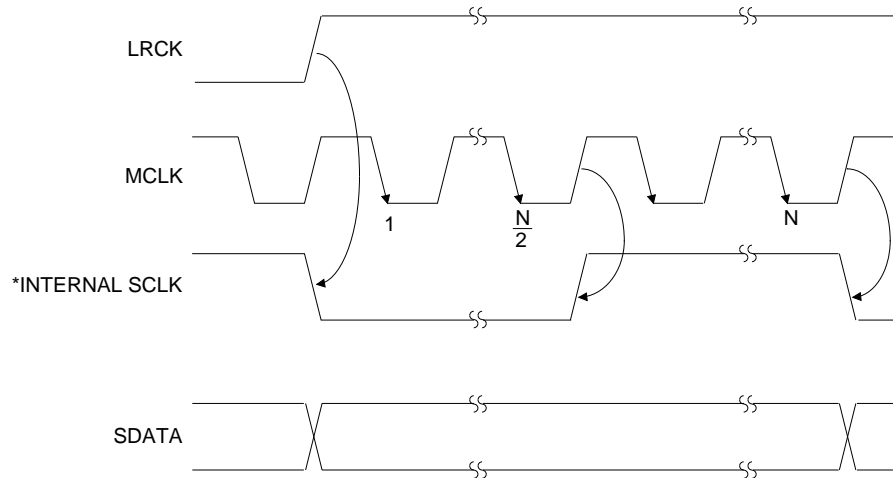


**Figure 3. External Serial Mode Input Timing**



**Figure 4. Internal Serial Mode Input Timing**

\* The SCLK pulses shown are internal to the CS4361.

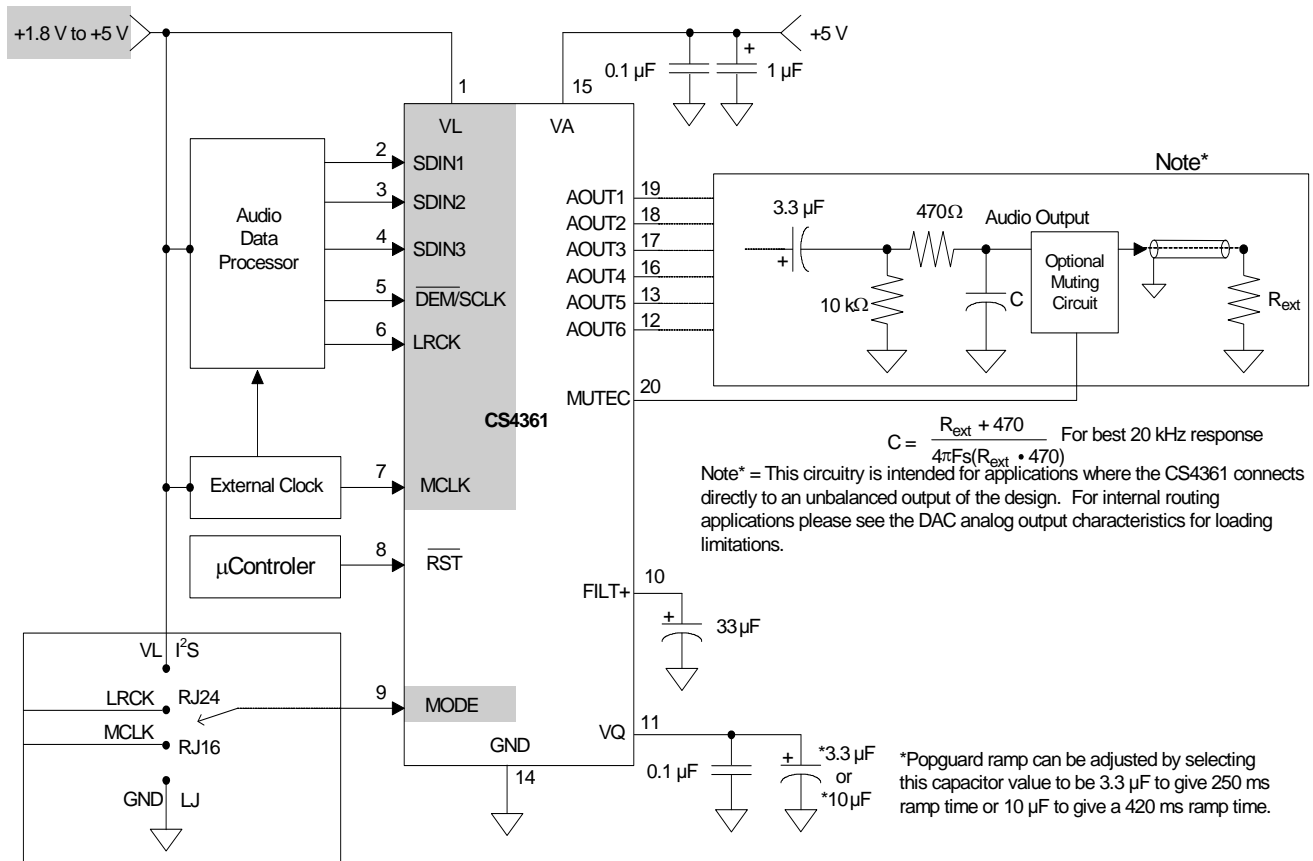


**Figure 5. Internal Serial Clock Generation**

\* The SCLK pulses shown are internal to the CS4361.

N equals MCLK divided by SCLK

### 3. TYPICAL CONNECTION DIAGRAM



**Figure 6. Recommended Connection Diagram**

## 4. APPLICATIONS

The CS4361 accepts data at standard audio sample rates including 48, 44.1 and 32 kHz in SSM, 96, 88.2 and 64 kHz in DSM, and 192, 176.4 and 128 kHz in QSM. Audio data is input via the serial data input pin (SDIN). The Left/Right Clock (LRCK) determines which channel is currently being input on SDIN, and the optional Serial Clock (SCLK) clocks audio data into the input data buffer.

### 4.1 Master Clock

MCLK/LRCK must be an integer ratio as shown in [Table 1](#). The LRCK frequency is equal to  $F_s$ , the frequency at which words for each channel are input to the device. The MCLK-to-LRCK frequency ratio and speed mode is detected automatically during the initialization sequence by counting the number of MCLK transitions during a single LRCK period and by detecting the absolute speed of MCLK. Internal dividers are set to generate the proper clocks. [Table 1](#) illustrates several standard audio sample rates and the required MCLK and LRCK frequencies. Please note there is no required phase relationship, but MCLK, LRCK, and SCLK must be synchronous.

LRCK (kHz)	MCLK (MHz)									
	64x	96x	128x	192x	256x	384x	512x	768x	1024x	1152x
32	-	-	-	-	8.1920	12.2880	-	-	32.7680	36.8640
44.1	-	-	-	-	11.2896	16.9344	22.5792	33.8680	45.1580	-
48	-	-	-	-	12.2880	18.4320	24.5760	36.8640	49.1520	-
64	-	-	8.1920	12.2880	-	-	32.7680	49.1520	-	-
88.2	-	-	11.2896	16.9344	22.5792	33.8680	-	-	-	-
96	-	-	12.2880	18.4320	24.5760	36.8640	-	-	-	-
128	8.1920	12.2880	-	-	32.7680	49.1520	-	-	-	-
176.4	11.2896	16.9344	22.5792	33.8680	-	-	-	-	-	-
192	12.2880	18.4320	24.5760	36.8640	-	-	-	-	-	-
<b>Mode</b>	<b>QSM</b>				<b>DSM</b>		<b>SSM</b>			

**Table 1. Common Clock Frequencies**

### 4.2 Serial Clock

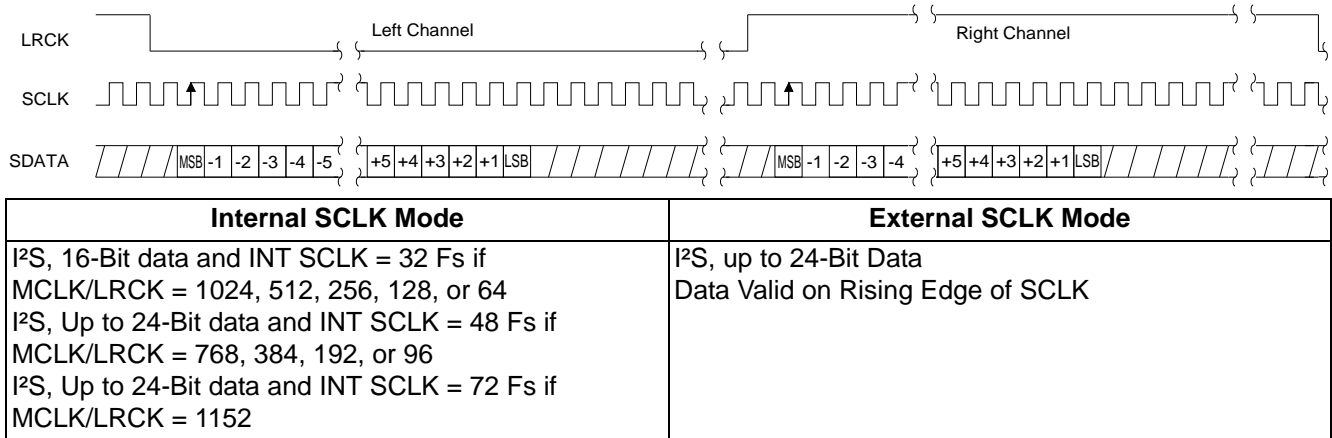
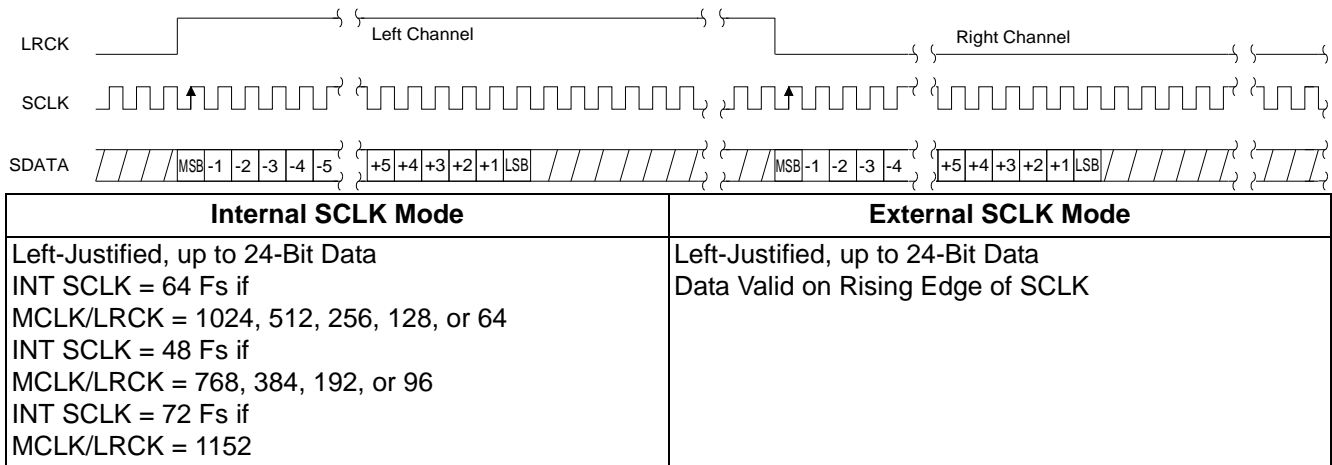
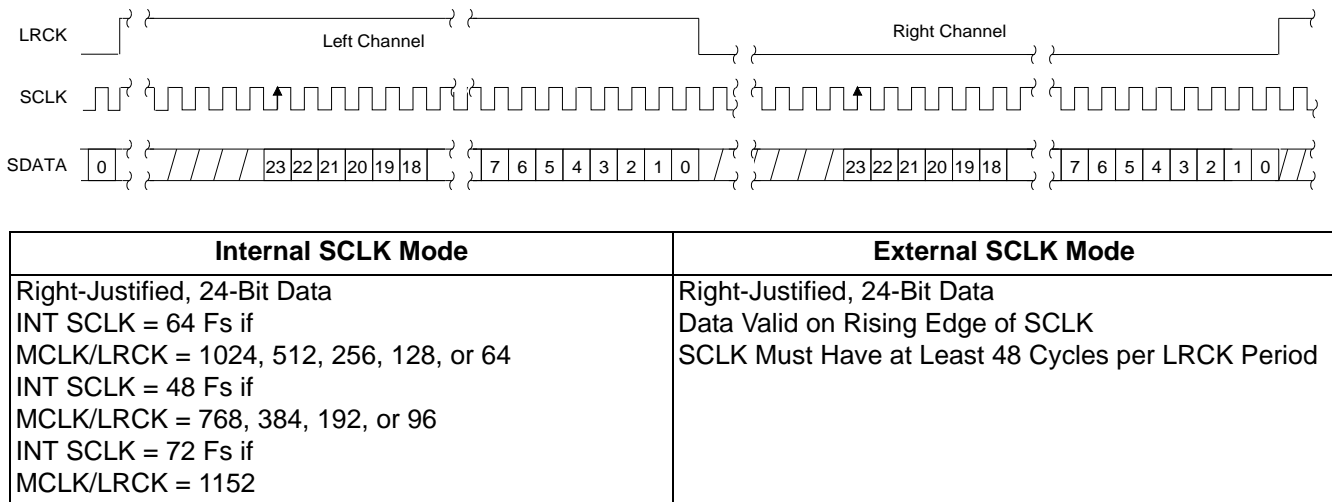
The serial clock controls the shifting of data into the input data buffers. The CS4361 supports both external and internal serial clock generation modes. Refer to [Figures 7-10](#) for data formats.

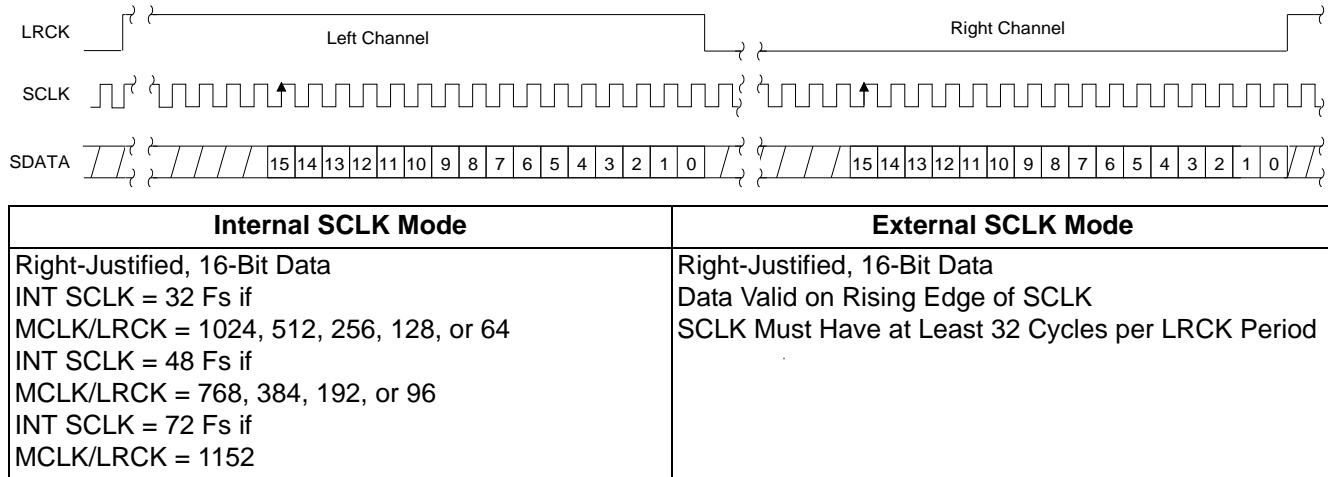
#### 4.2.1 External Serial Clock Mode

The CS4361 will enter the External Serial Clock Mode when 16 low-to-high transitions are detected on the  $\overline{\text{DEM}}/\text{SCLK}$  pin during any phase of the LRCK period. When this mode is enabled, the Internal Serial Clock Mode and de-emphasis filter cannot be accessed. The CS4361 will switch to Internal Serial Clock Mode if no low-to-high transitions are detected on the  $\overline{\text{DEM}}/\text{SCLK}$  pin for two consecutive frames of LRCK. Refer to [Figure 12](#).

#### 4.2.2 Internal Serial Clock Mode

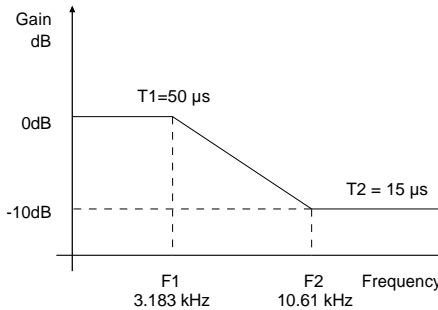
In the Internal Serial Clock Mode, the serial clock is internally derived and synchronous with MCLK and LRCK. The SCLK/LRCK frequency ratio is either 32, 48, 64, or 72 depending upon data format. Operation in this mode is identical to operation with an external serial clock synchronized with LRCK. This mode allows access to the digital de-emphasis function. Refer to [Figures 7 - 12](#) for details.


**Figure 7. CS4361 Data Format (I²S)**

**Figure 8. CS4361 Data Format (Left-Justified)**

**Figure 9. CS4361 Data Format (Right-Justified 24)**


**Figure 10. CS4361 Data Format (Right-Justified 16)**

### 4.3 De-Emphasis

The CS4361 includes on-chip digital de-emphasis. [Figure 11](#) shows the de-emphasis curve for  $F_s$  equal to 44.1 kHz. The frequency response of the de-emphasis curve will scale proportionally with changes in sample rate,  $F_s$ . The de-emphasis filter is active (inactive) if the  $\overline{DEM}/SCLK$  pin is low (high) for five consecutive falling edges of LRCK. This function is available only in the internal Serial Clock Mode when  $LRCK < 50$  kHz.


**Figure 11. De-Emphasis Curve ( $F_s = 44.1$ kHz)**

### 4.4 Mode Select

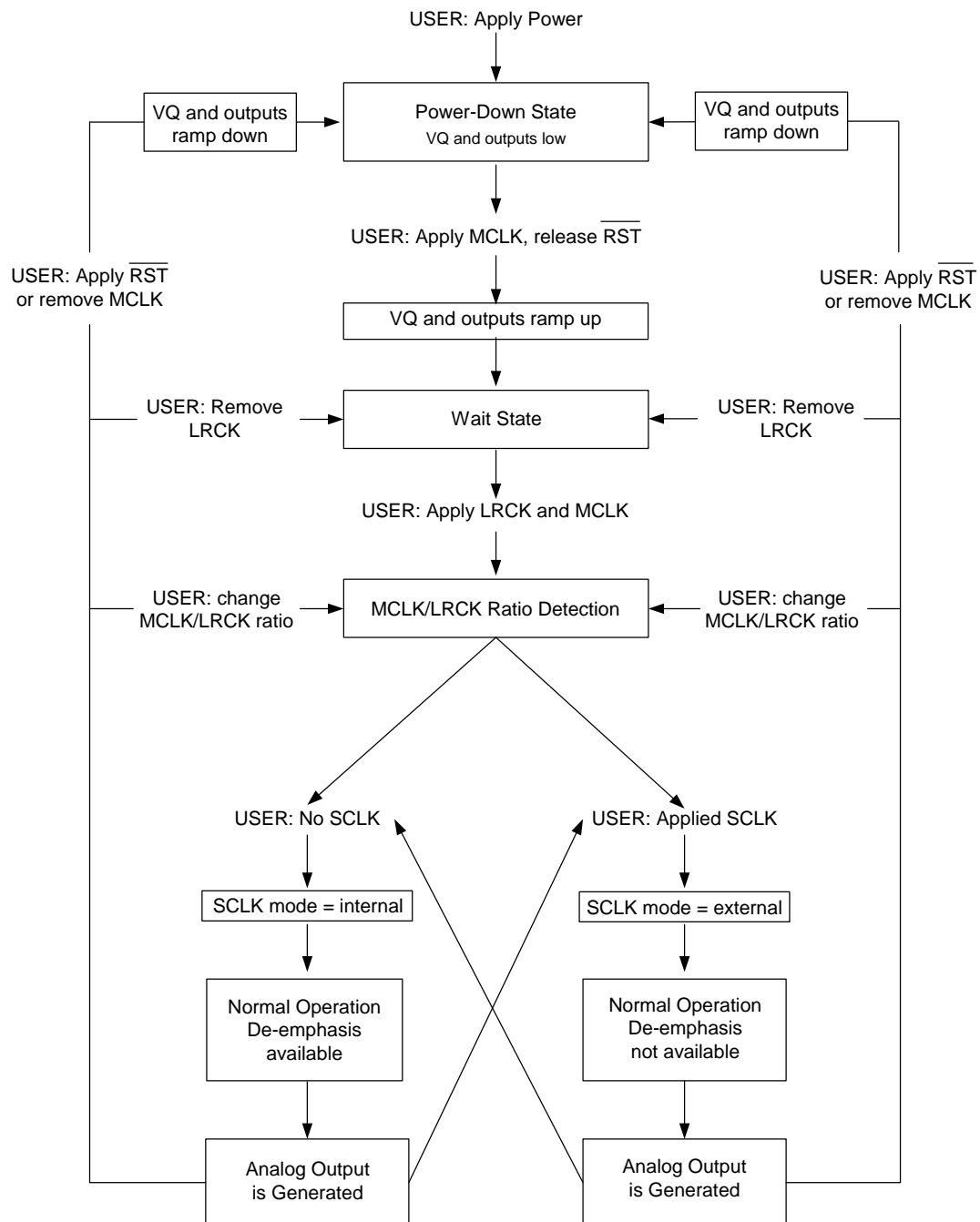
Mode selection is determined by the Mode Select pin. The value of this pin is locked 1024 LRCK cycles after  $\overline{RST}$  is released. This pin requires a specific connection to supply, ground, MCLK, or LRCK as outlined in [Table 2](#).

Mode pin is:	Mode	Figure
Tied to VL	I <sup>2</sup> S	<a href="#">7</a>
Tied to GND	Left-Justified	<a href="#">8</a>
Tied to LRCK	Right-Justified - 24 bit	<a href="#">9</a>
Tied to MCLK	Right-Justified - 16bit	<a href="#">10</a>

**Table 2. Mode Pin Settings**

## 4.5 Initialization and Power-Down

The initialization and power-down sequence flow chart is shown in Figure 12. The CS4361 enters the power-down state upon initial power-up. The interpolation filters and delta-sigma modulators are reset, and the internal voltage reference, multi-bit digital-to-analog converters, and switched-capacitor low-pass filters are powered down. The device will remain in the Power-Down Mode until  $\overline{\text{RST}}$  is released and MCLK and LRCK are present. Once MCLK and LRCK are detected, MCLK occurrences are counted over one LRCK period to determine the MCLK/LRCK frequency ratio. Power is then applied to the internal voltage reference. Finally, power is applied to the D/A converters and switched-capacitor filters, and the analog outputs will ramp to the quiescent voltage, VQ.



**Figure 12. CS4361 Initialization and Power-Down Sequence**

## 4.6 Output Transient Control

The CS4361 uses Popguard technology to minimize the effects of output transients during power-up and power-down. When implemented with external DC-blocking capacitors connected in series with the audio outputs, this feature eliminates the audio transients commonly produced by single-ended, single-supply converters. To make the best use of this feature, it is necessary to understand its operation.

### 4.6.1 Power-Up

When the device is initially powered up, the audio outputs, AOUT1-6, are clamped to VQ, which is initially low. After  $\overline{\text{RST}}$  is released and MCLK is applied, the outputs begin to ramp with VQ towards the nominal quiescent voltage. This ramp takes approximately 200 ms to complete. The gradual voltage ramping allows time for the external DC-blocking capacitors to charge to VQ, effectively blocking the quiescent DC voltage. Audio output begins approximately 2000 sample periods after valid LRCK and SDIN are supplied (and SCLK, if used).

### 4.6.2 Power-Down

To prevent audio transients at power-down, the DC-blocking capacitors must fully discharge before turning off the power. In order to do this, either stop MCLK or hold  $\overline{\text{RST}}$  low for a period of about 250 ms before removing power. During this time, voltage on VQ and the audio outputs discharge gradually to GND. If power is removed before this 250 ms time period has passed, a transient will occur when the VA supply drops below that of VQ. There is no minimum time for a power cycle; power may be reapplied at any time.

When changing clock ratio or sample rate, it is recommended that zero data (or near zero data) be present on SDIN for at least 10 LRCK samples before the change is made. During the clocking change, the DAC outputs will always be in a zero data state. If non-zero audio is present at the time of switching, a slight click or pop may be heard as the DAC output automatically goes to its zero data state.

## 4.7 Grounding and Power Supply Decoupling

As with any high-resolution converter, the CS4361 requires careful attention to power supply and grounding arrangements to optimize performance. [Figure 6](#) shows the recommended power arrangement, with VA connected to a clean +5 V supply. For best performance, decoupling and filter capacitors should be located as close to the device package as possible, with the smallest capacitors placed closest.

## 4.8 Analog Output and Filtering

The analog filter present in the CS4361 is a switched-capacitor filter followed by a continuous-time, low-pass filter. Its response, combined with that of the digital interpolator, is given in [Figures 14 - 21](#). The recommended external analog circuitry is shown in the ["Typical Connection Diagram"](#) on page 11.

The analog outputs are named AOUT1-6. The SDIN1 feeds AOUT1 as the 'Left' marked data and AOUT2 as the 'Right' marked data. The SDIN2 feeds AOUT3 as the 'Left' marked data and AOUT4 as the 'Right' marked data. The SDIN3 feeds AOUT5 as the 'Left' marked data and AOUT6 as the 'Right' marked data.



## 4.9 Mute Control

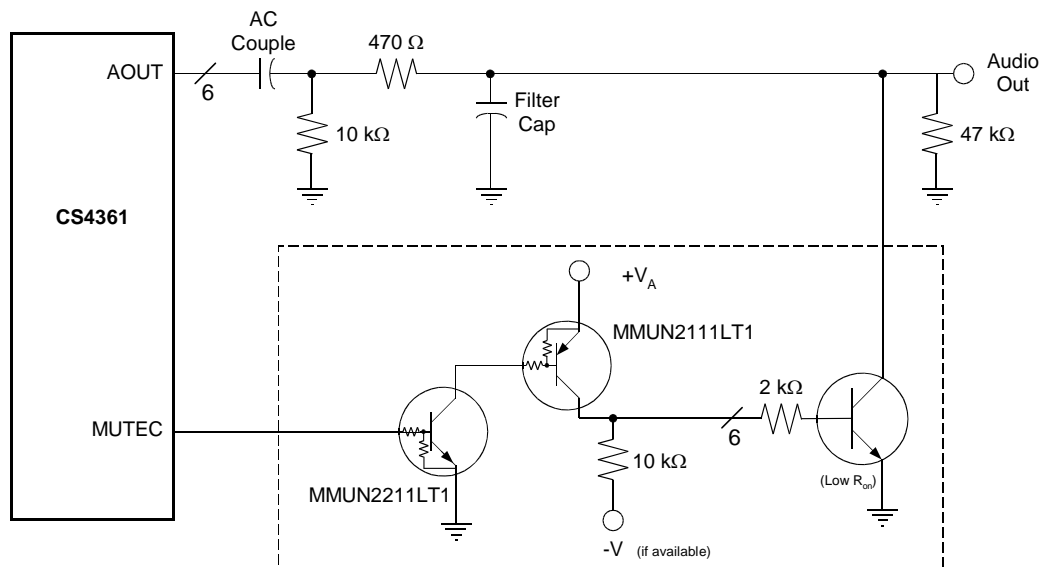
The MUTE pin is intended to be used as control for an external mute circuit in order to add off-chip mute capability.

This pin becomes active under the following conditions:

1. During power-up initialization
2. Upon reset
3. If the MCLK to LRCK ratio is incorrect
4. Upon receipt of 512 consecutive samples of zero
5. During power-down

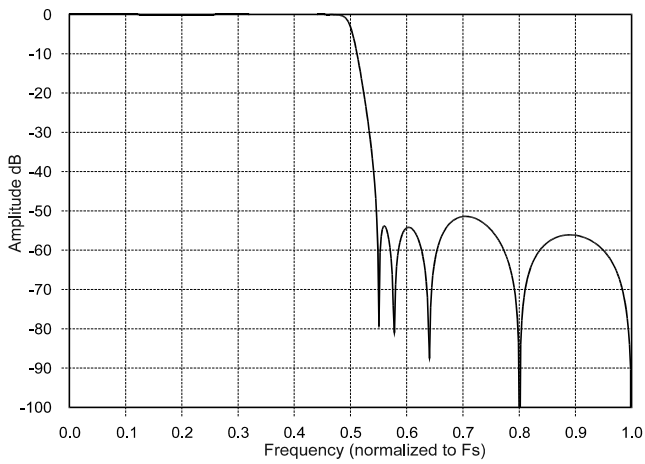
The MUTE pin will only go active on static zero data only if all 6 channels satisfy the 512 sample requirement. If any channel receives non-zero data, the mute pin will return low (inactive).

Use of the mute control function is not mandatory but is recommended for designs requiring the absolute minimum in extraneous clicks and pops. Also, use of the mute control function can enable the system designer to achieve idle channel noise and signal-to-noise ratios that are only limited by the external mute circuit. The MUTE pin is an active-high CMOS driver. See [Figure 13](#) below for a suggested active-high mute circuit.

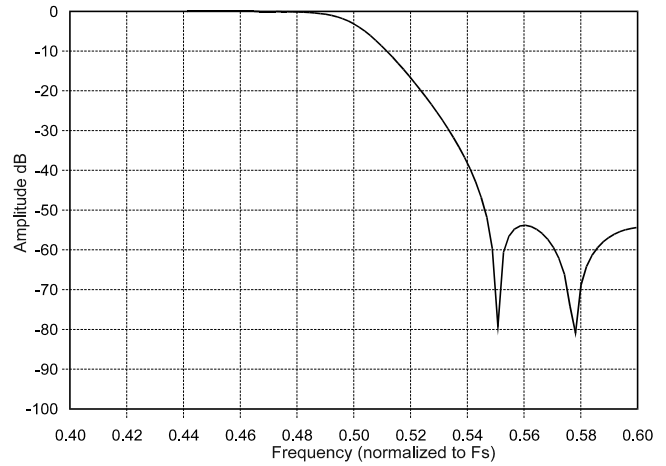


**Figure 13. Suggested Active-Low Mute Circuit**

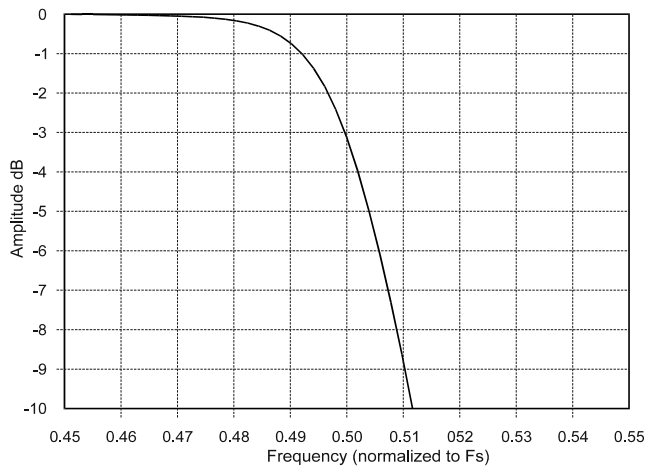
## 5. PERFORMANCE PLOTS



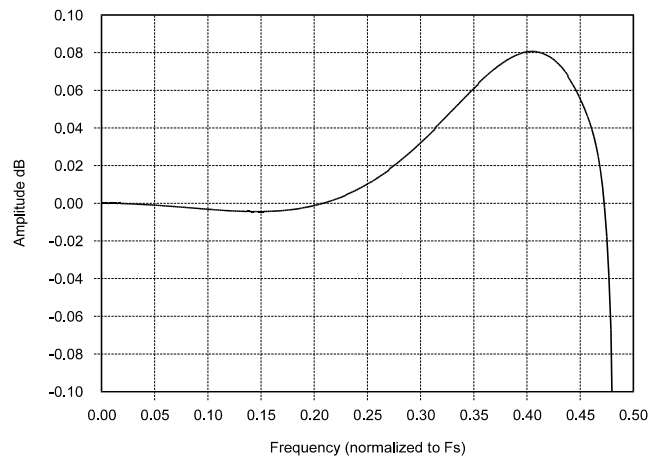
**Figure 14. Single-Speed Stopband Rejection**



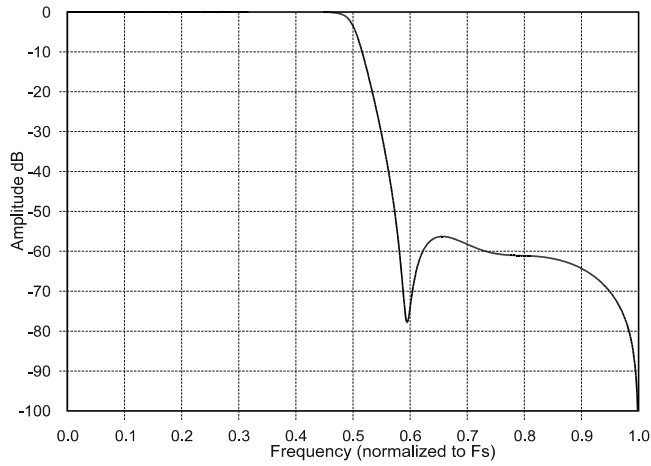
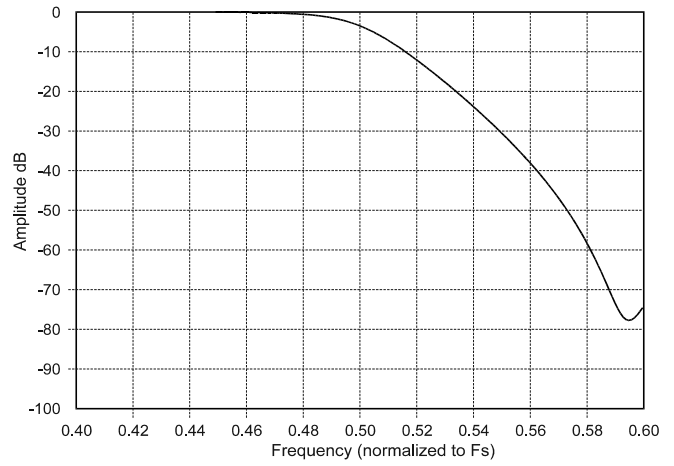
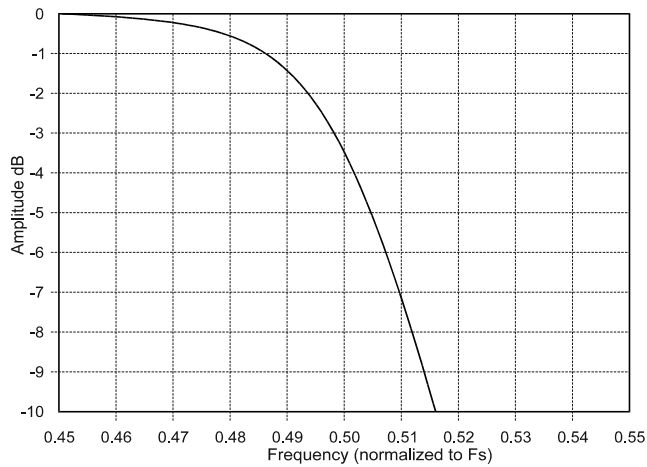
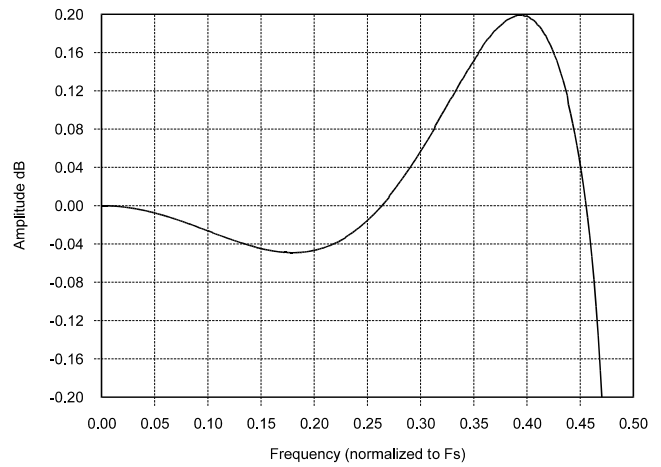
**Figure 15. Single-Speed Transition Band**

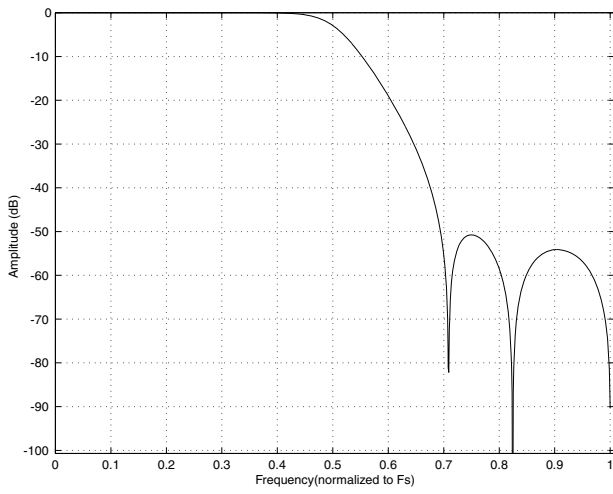
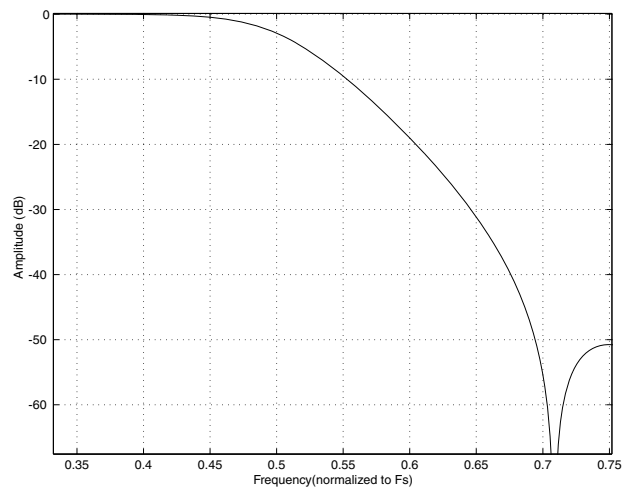
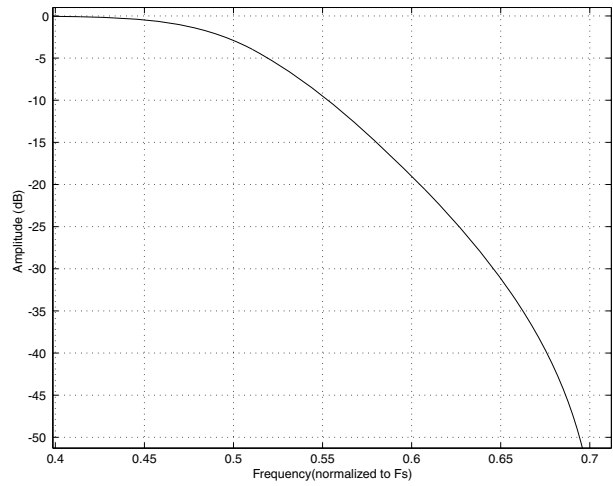
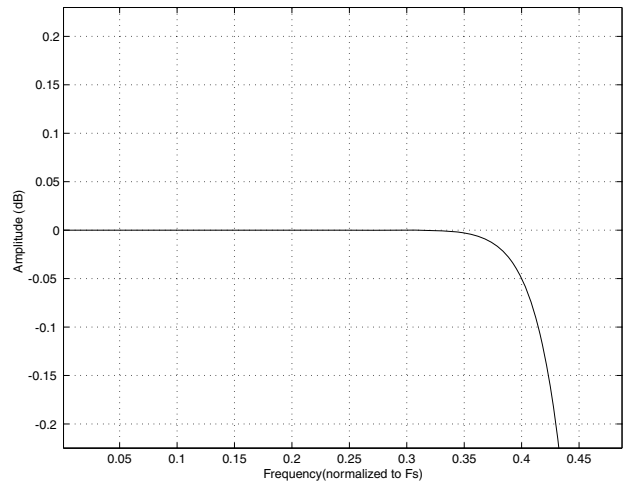


**Figure 16. Single-Speed Transition Band**



**Figure 17. Single-Speed Passband Ripple**


**Figure 18. Double-Speed Stopband Rejection**

**Figure 19. Double-Speed Transition Band**

**Figure 20. Double-Speed Transition Band**

**Figure 21. Double-Speed Passband Ripple**


**Figure 22. Quad-Speed Stopband Rejection**

**Figure 23. Quad-Speed Transition Band**

**Figure 24. Quad-Speed Transition Band**

**Figure 25. Quad-Speed Passband Ripple**

## **6. PARAMETER DEFINITIONS**

### **Total Harmonic Distortion + Noise (THD+N)**

The ratio of the rms value of the signal to the rms sum of all other spectral components over the specified bandwidth (typically 10 Hz to 20 kHz), including distortion components. Expressed in decibels.

### **Dynamic Range**

The ratio of the full-scale rms value of the signal to the rms sum of all other spectral components over the specified bandwidth. Dynamic range is a signal-to-noise measurement over the specified bandwidth made with a -60 dBFS signal. 60 dB is then added to the resulting measurement to refer the measurement to full scale. This technique ensures that the distortion components are below the noise level and do not effect the measurement. This measurement technique has been accepted by the Audio Engineering Society, AES17-1991, and the Electronic Industries Association of Japan, EIAJ CP-307.

### **Interchannel Isolation**

A measure of crosstalk between the left and right channels. Measured for each channel at the converter's output with all zeros to the input under test and a full-scale signal applied to the other channel. Units in decibels.

### **Interchannel Gain Mismatch**

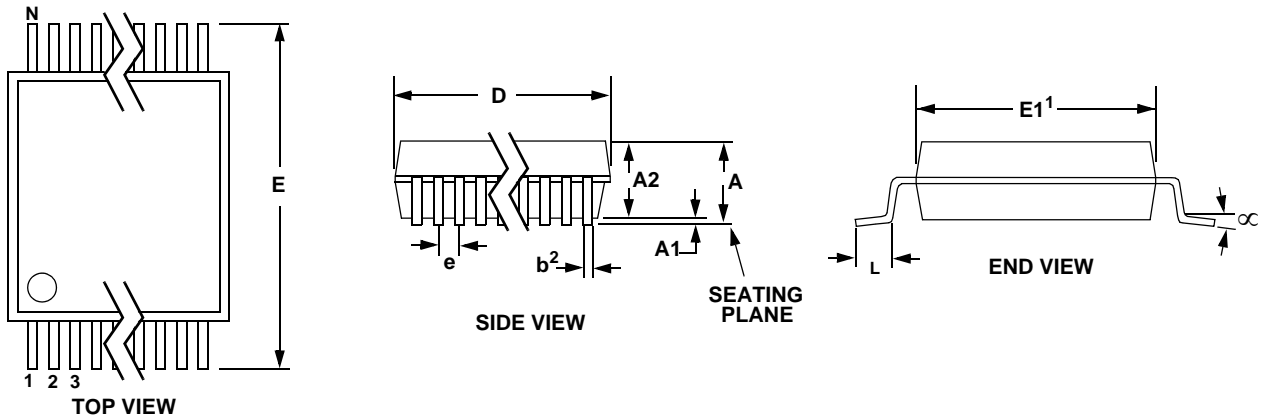
The gain difference between left and right channels. Units in decibels.

### **Gain Error**

The deviation from the nominal full scale analog output for a full scale digital input.

### **Gain Drift**

The change in gain value with temperature. Units in ppm/°C.

**7. PACKAGE INFORMATION**
**20L TSSOP (4.4 mm BODY) PACKAGE DRAWING**


DIM	INCHES			MILLIMETERS			NOTE
	MIN	NOM	MAX	MIN	NOM	MAX	
A	--	--	0.043	--	--	1.10	
A1	0.002	0.004	0.006	0.05	--	0.15	
A2	0.03346	0.0354	0.037	0.85	0.90	0.95	
b	0.00748	0.0096	0.012	0.19	0.245	0.30	
D	0.252	0.256	0.259	6.40	6.50	6.60	2,3
E	0.248	0.2519	0.256	6.30	6.40	6.50	1
E1	0.169	0.1732	0.177	4.30	4.40	4.50	
e	--	--	0.026	--	--	0.65	1
L	0.020	0.024	0.028	0.50	0.60	0.70	
μ	0°	4°	8°	0°	4°	8°	

**JEDEC #: MO-153**

Controlling Dimension is Millimeters.

**Notes:**

1. "D" and "E1" are reference datums and do not include mold flash or protrusions, but do include mold mismatch and are measured at the parting line, mold flash or protrusions shall not exceed 0.20 mm per side.
2. Dimension "b" does not include dambar protrusion/intrusion. Allowable dambar protrusion shall be 0.13 mm total in excess of "b" dimension at maximum material condition. Dambar intrusion shall not reduce dimension "b" by more than 0.07 mm at least material condition.
3. These dimensions apply to the flat section of the lead between 0.10 and 0.25 mm from lead tips.

---

**8. ORDERING INFORMATION**

Product	Description	Package	Pb-Free	Grade	Temp Range	Container	Order #
CS4361	20-pin, 24-bit, 192 kHz, 6-channel D/A Converter	20-Plastic TSSOP	Yes	Commercial	-40 to 85° C	Tube	CS4361-CZZ
						Tape and Reel	CS4361-CZZR
CDB4361	CS4361 Evaluation Board		-	-	-	-	CDB4361

## 9. REVISION HISTORY

Release	Changes
A1	Initial Release.
A2	Correction to PDF file size.
F1	Removed VA = 3.3 V operation. Updated Typ and Max THD+N and Dynamic Range specs in “DAC Analog Characteristics - Commercial” on page 6. Corrected “Output Transient Control” on page 16 and “CS4361 Initialization and Power-Down Sequence” on page 15 to show ramp down when MCLK is removed. Corrected MUTE description “512 LRCK cycles” in “Mute Control” on page 17. Removed -DZZ ordering option.
F2	Changed from footnote to “DAC Analog Characteristics - Commercial” on page 6 to read “One LSB of triangular PDF dither added to data,” instead of “One-half LSB...” Added -CZZR ordering option and removed references to -CZZ from the specifications..

### Contacting Cirrus Logic Support

For all product questions and inquiries, contact a Cirrus Logic Sales Representative.

To find the one nearest you, go to [www.cirrus.com](http://www.cirrus.com).

#### IMPORTANT NOTICE

Cirrus Logic, Inc. and its subsidiaries (“Cirrus”) believe that the information contained in this document is accurate and reliable. However, the information is subject to change without notice and is provided “AS IS” without warranty of any kind (express or implied). Customers are advised to obtain the latest version of relevant information to verify, before placing orders, that information being relied on is current and complete. All products are sold subject to the terms and conditions of sale supplied at the time of order acknowledgment, including those pertaining to warranty, indemnification, and limitation of liability. No responsibility is assumed by Cirrus for the use of this information, including use of this information as the basis for manufacture or sale of any items, or for infringement of patents or other rights of third parties. This document is the property of Cirrus and by furnishing this information, Cirrus grants no license, express or implied under any patents, mask work rights, copyrights, trademarks, trade secrets or other intellectual property rights. Cirrus owns the copyrights associated with the information contained herein and gives consent for copies to be made of the information only for use within your organization with respect to Cirrus integrated circuits or other products of Cirrus. This consent does not extend to other copying such as copying for general distribution, advertising or promotional purposes, or for creating any work for resale.

CERTAIN APPLICATIONS USING SEMICONDUCTOR PRODUCTS MAY INVOLVE POTENTIAL RISKS OF DEATH, PERSONAL INJURY, OR SEVERE PROPERTY OR ENVIRONMENTAL DAMAGE (“CRITICAL APPLICATIONS”). CIRRUS PRODUCTS ARE NOT DESIGNED, AUTHORIZED OR WARRANTED FOR USE IN PRODUCTS SURGICALLY IMPLANTED INTO THE BODY, AUTOMOTIVE SAFETY OR SECURITY DEVICES, LIFE SUPPORT PRODUCTS OR OTHER CRITICAL APPLICATIONS. INCLUSION OF CIRRUS PRODUCTS IN SUCH APPLICATIONS IS UNDERSTOOD TO BE FULLY AT THE CUSTOMER’S RISK AND CIRRUS DISCLAIMS AND MAKES NO WARRANTY, EXPRESS, STATUTORY OR IMPLIED, INCLUDING THE IMPLIED WARRANTIES OF MERCHANTABILITY AND FITNESS FOR PARTICULAR PURPOSE, WITH REGARD TO ANY CIRRUS PRODUCT THAT IS USED IN SUCH A MANNER. IF THE CUSTOMER OR CUSTOMER’S CUSTOMER USES OR PERMITS THE USE OF CIRRUS PRODUCTS IN CRITICAL APPLICATIONS, CUSTOMER AGREES, BY SUCH USE, TO FULLY INDEMNIFY CIRRUS, ITS OFFICERS, DIRECTORS, EMPLOYEES, DISTRIBUTORS AND OTHER AGENTS FROM ANY AND ALL LIABILITY, INCLUDING ATTORNEYS’ FEES AND COSTS, THAT MAY RESULT FROM OR ARISE IN CONNECTION WITH THESE USES.

Cirrus Logic, Cirrus, the Cirrus Logic logo designs, and Popguard are trademarks of Cirrus Logic, Inc. All other brand and product names in this document may be trademarks or service marks of their respective owners.