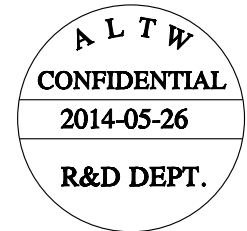
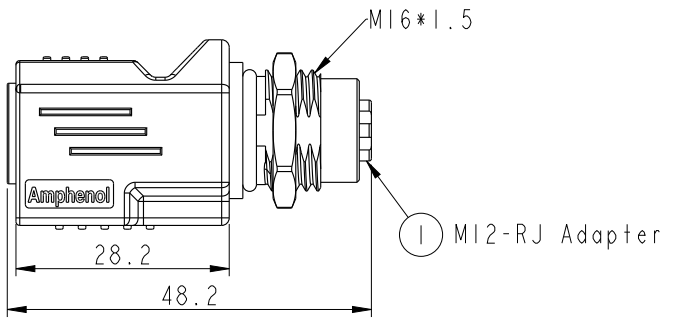
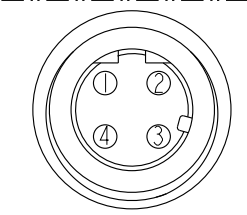
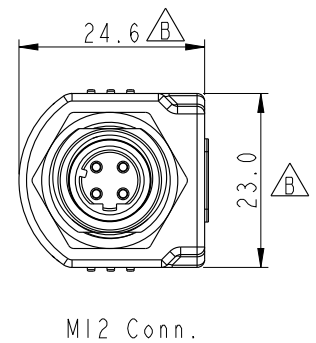
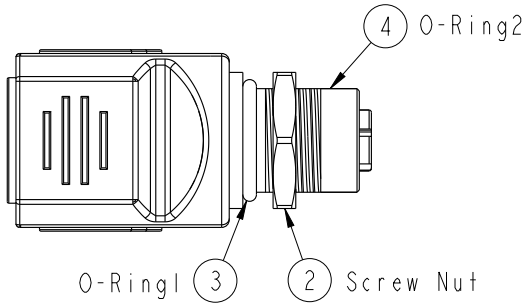
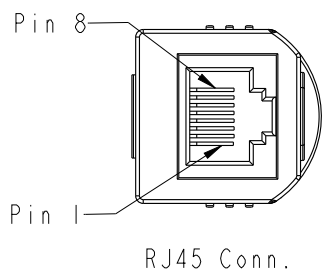
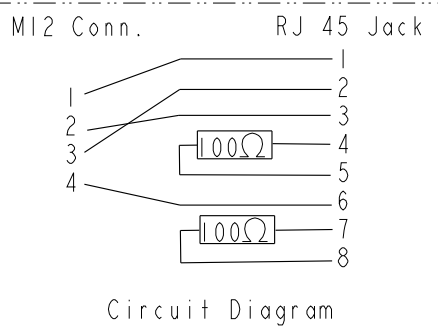
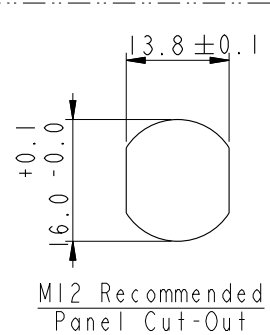


THIS DOCUMENT IS SUBJECT TO CHANGE WITHOUT NOTICE. IT IS CONFIDENTIAL AND A PROPERTY OF Amphenol LTW. DISCLOSURE TO THIRD PARTY HAS TO BE AUTHORIZED BY Amphenol LTW.

REV.	ECN NO.	DATE	SIGN	DESCRIPTION
A		2013-02-06	Lu Di	Change Rev.01 To Rev.A
B	LE31350017	2013-04-22	Lu Di	Add The Dimensions
C	LE31460009	2014-05-26	Tony_leng	Change O-Ring



Note:  
 \*  $\text{Ⓞ}$  Important Dimension  
 \* Waterproof Rate: IP65(MOLDING)  
 \* Waterproof Rate: IP68(M12)  
 (Under Water 1M 24 hours)  
 \* Pin: Copper Alloy, Gold Plated  
 \* Nut: Zinc Alloy, Nickel Plated  
 \* Shield: Copper Alloy, Nickel Plated  
 $\triangle C$  \* O-Ring1: Silicone, UL94V-0, Gray.  
 $\triangle C$  \* O-Ring2: Silicone, UL94V-0, Gray.  
 \* Jack: PBT, Black.  
 \* Housing: Nylon+GF, Black.  
 \* Panel Thickness Max: 5.0mm



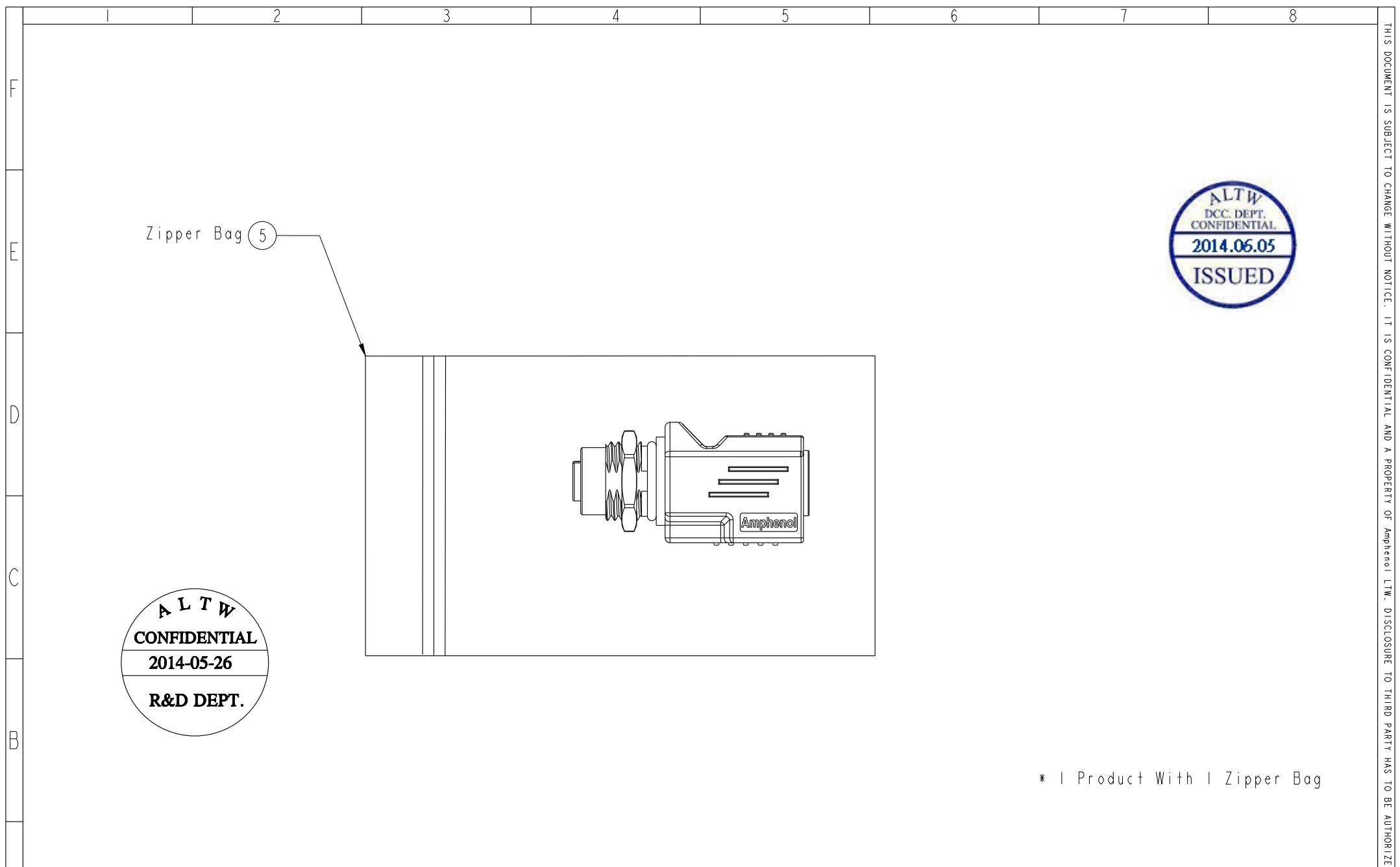
UNIT: mm	$\text{⌀}$	$\text{⌒}$
TOLERANCE	$\triangle B$	
±0.5mm		

TITLE ADAPTOR, SHIELDED M12 D CODE TO RJ45			
SCALE 1:1	SIZE A4	SHEET 1 OF 2	
REV. C	WC-REV. B.2	$\text{Ⓞ}$ : Inspection item	

**Amphenol LTW**  
安費諾亮泰企業股份有限公司

ITEM NO RJS-12D04FF-LS8001	DRAWN BY Tony_leng	DATE 2014-05-26
DWG NO RJS-12D04FF-LS8001	CHECKED BY Jimmy	DATE 2014-05-26
CUSTOMER ALTW	APPROVED BY Ja-anne	DATE 2014-05-26

THIS DOCUMENT IS SUBJECT TO CHANGE WITHOUT NOTICE. IT IS CONFIDENTIAL AND A PROPERTY OF Amphenol LTW. DISCLOSURE TO THIRD PARTY HAS TO BE AUTHORIZED BY Amphenol LTW.



\* 1 Product With 1 Zipper Bag

A	UNIT:mm			TITLE ADAPTOR, SHIELDED M12 D CODE TO RJ45			ITEM NO RJS-12D04FF-LS8001	DRAWN BY Tony_leng	DATE 2014-05-26
	TOLERANCE ±0.5mm			SCALE 1:1	SIZE A4	SHEET 2 OF 2	DWG NO RJS-12D04FF-LS8001	CHECKED BY Jimmy	DATE 2014-05-26
				REV. C	WC-REV. B.2	: Inspection item	CUSTOMER ALTW	APPROVED BY Jo-anne	DATE 2014-05-26
								8 FMW10702-01-02A1	

**Amphenol LTW**  
安費諾亮泰企業股份有限公司

# Mouser Electronics

Authorized Distributor

Click to View Pricing, Inventory, Delivery & Lifecycle Information:

[Amphenol:](#)

[RJS-12D04FF-RS8001](#) [RJS-12D04FF-LS8001](#) [RJS-12D04FM-LS8001](#) [RJS-12D04FM-RS8001](#)